



US00D399193S

United States Patent [19] Chang

[11] Patent Number: Des. 399,193

[45] Date of Patent: **Oct. 6, 1998

[54] REMOVABLE HARD DISK DRIVE HOLDER AND CASSETTE

[75] Inventor: Dean Chang, Taipei, Taiwan

[73] Assignee: Sailing Strong International Co., Ltd., Taipei, Taiwan

[**] Term: 14 Years

[21] Appl. No.: 74,143

[22] Filed: Jul. 25, 1997

[51] LOC (6) Cl. 14-02

[52] U.S. Cl. D14/109; D14/114

[58] Field of Search D14/100, 102, D14/107-109; D13/162, 184, 199; 312/292; 360/99.01-99.12, 63; 369/34, 36; 361/728, 730, 732, 736, 740, 685; 379/67, 112

[56] References Cited

U.S. PATENT DOCUMENTS

D. 074,143	7/1927	Chang .	
D. 308,052	5/1990	Darden et al.	D14/109
D. 311,737	10/1990	Westwood et al.	D14/114
D. 322,604	12/1991	Komatsu	D14/114
3,789,161	1/1974	Mizumoto	360/63
4,754,397	6/1988	Varaiya et al.	361/685
4,941,841	7/1990	Darden et al.	D14/114 X
5,363,273	11/1994	Ma	D14/109 X

OTHER PUBLICATIONS

P. C. Week—Buyers Guide—Jan. 15, 1985, Hard Disk Storage Kamerman Labs.

Primary Examiner—Freda Nunn
Attorney, Agent, or Firm—Claude A. S. Hamrick; Oppenheimer W. Donnelly; Chien-Wei Chris Chou

[57] CLAIM

The ornamental design for a removable hard disk drive holder and cassette, as shown and described.

DESCRIPTION

FIG. 1 is a front right and top perspective view of a removable hard disk drive holder and cassette showing my new design wherein the holder is shown separately for clarity of illustration only;

FIG. 2 is a right side elevation view thereof;

FIG. 3 is a left side elevation view thereof;

FIG. 4 is a front elevation view thereof;

FIG. 5 is a rear elevation view thereof;

FIG. 6 is a top view thereof;

FIG. 7 is a bottom view thereof;

FIG. 8 is a front right and top perspective view of the removable hard disk drive holder with a cassette shown partially extended from the holder;

FIG. 9 is a front right and top perspective view of the cassette thereof shown on an enlarged scale and shown separately for clarity of illustration only;

FIG. 10 is a right side elevation view thereof;

FIG. 11 is a left side elevation view thereof;

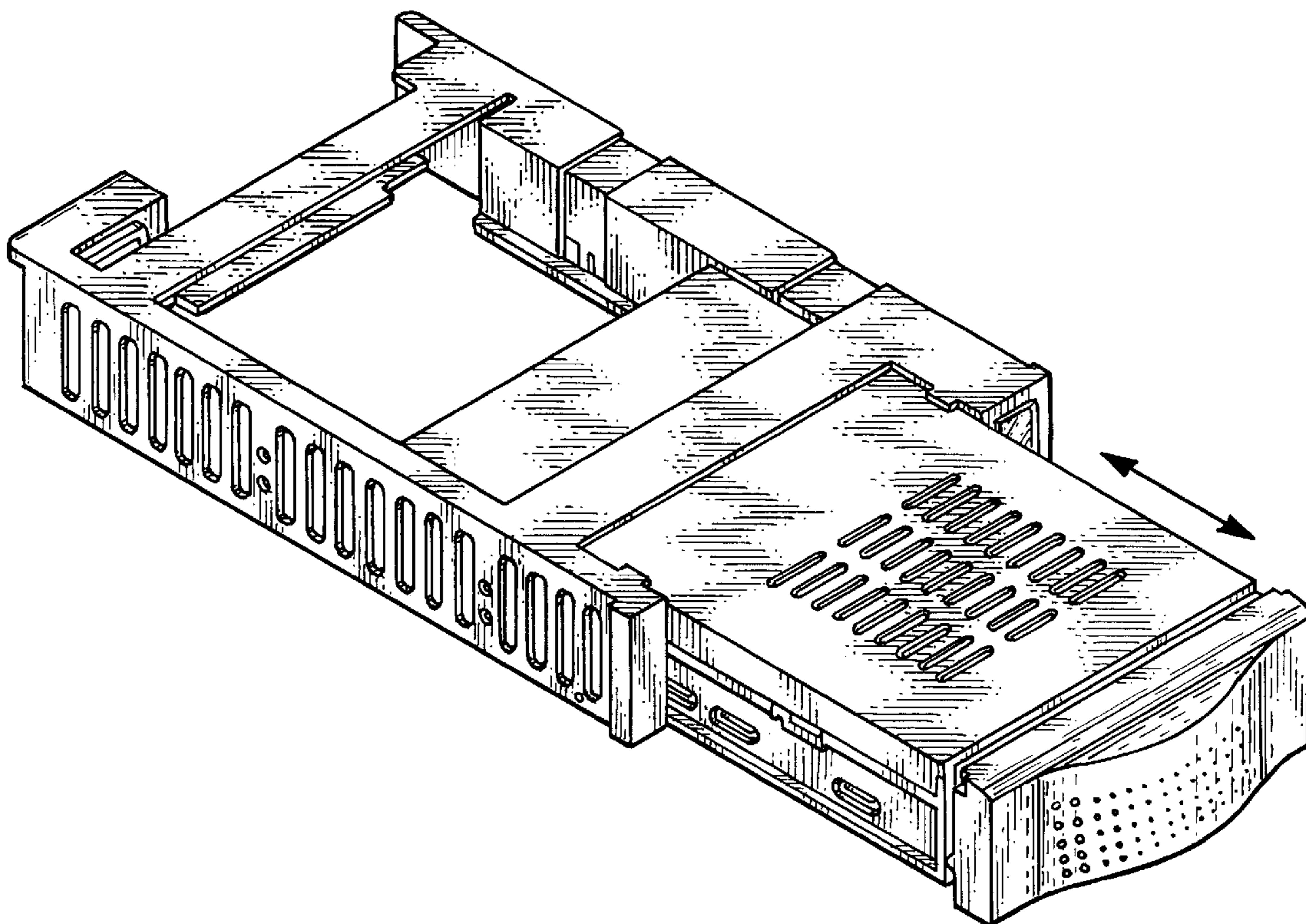
FIG. 12 is a front elevation view thereof;

FIG. 13 is a rear elevation view thereof;

FIG. 14 is a top view thereof; and,

FIG. 15 is a bottom view thereof.

1 Claim, 4 Drawing Sheets



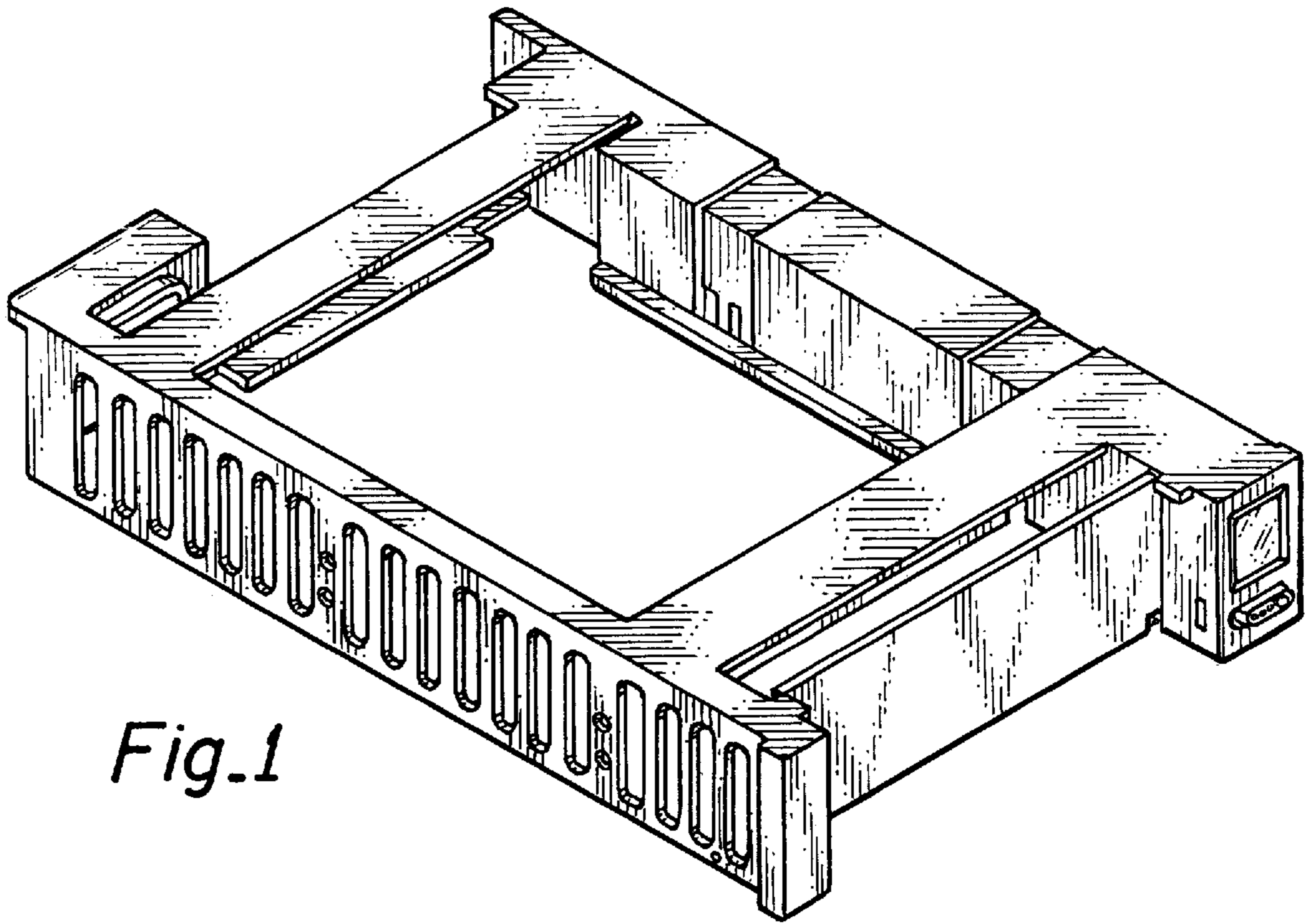


Fig.1

Fig.2

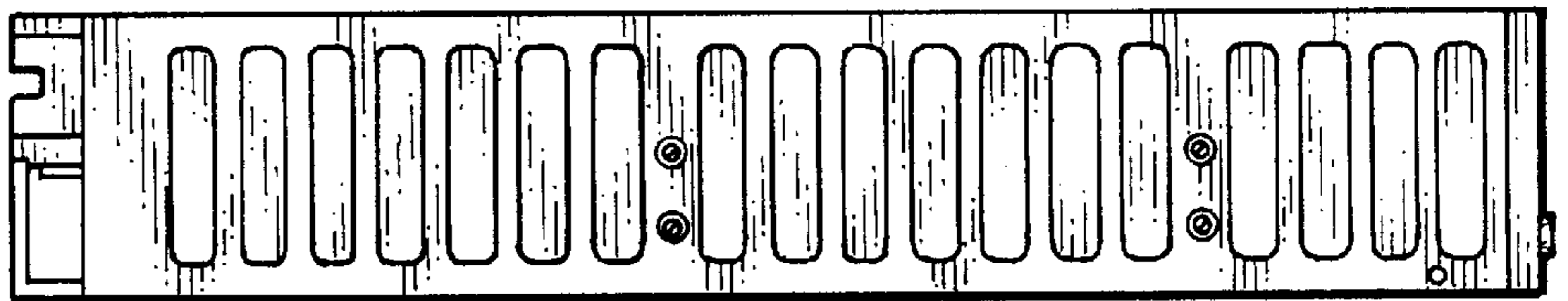


Fig.3

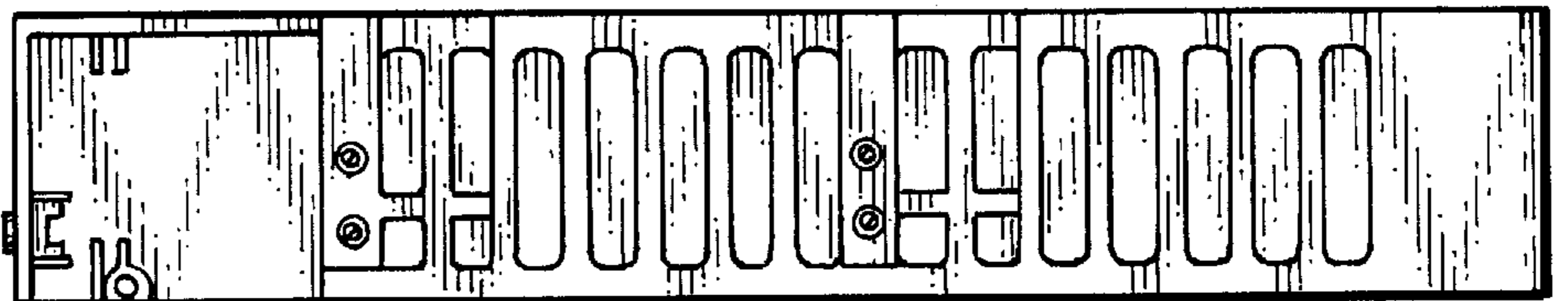


Fig.4

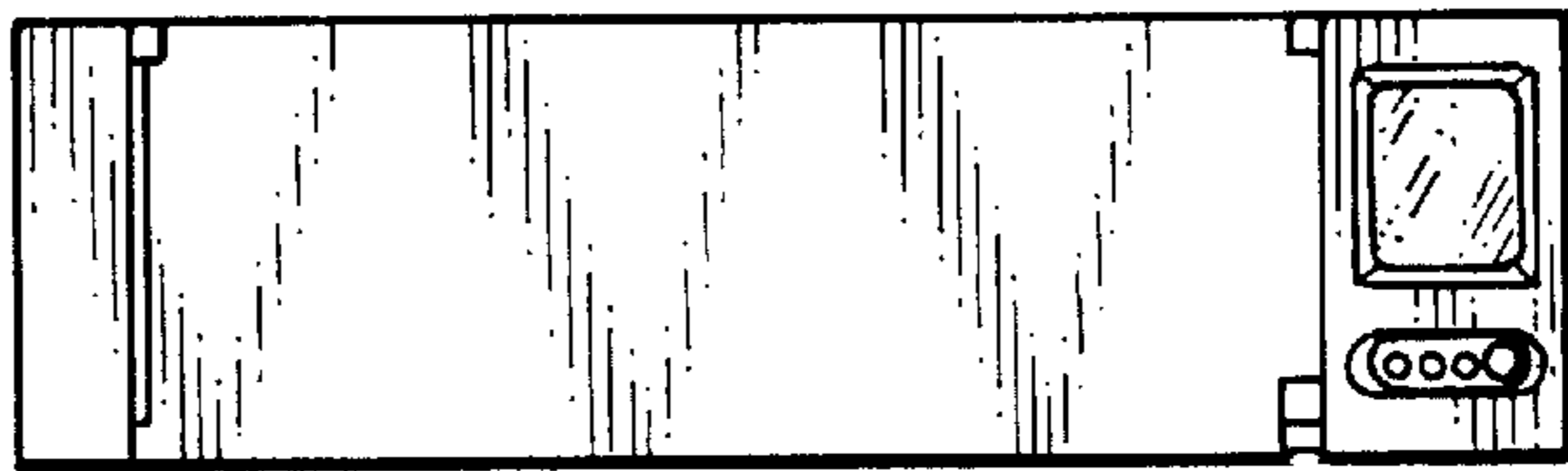
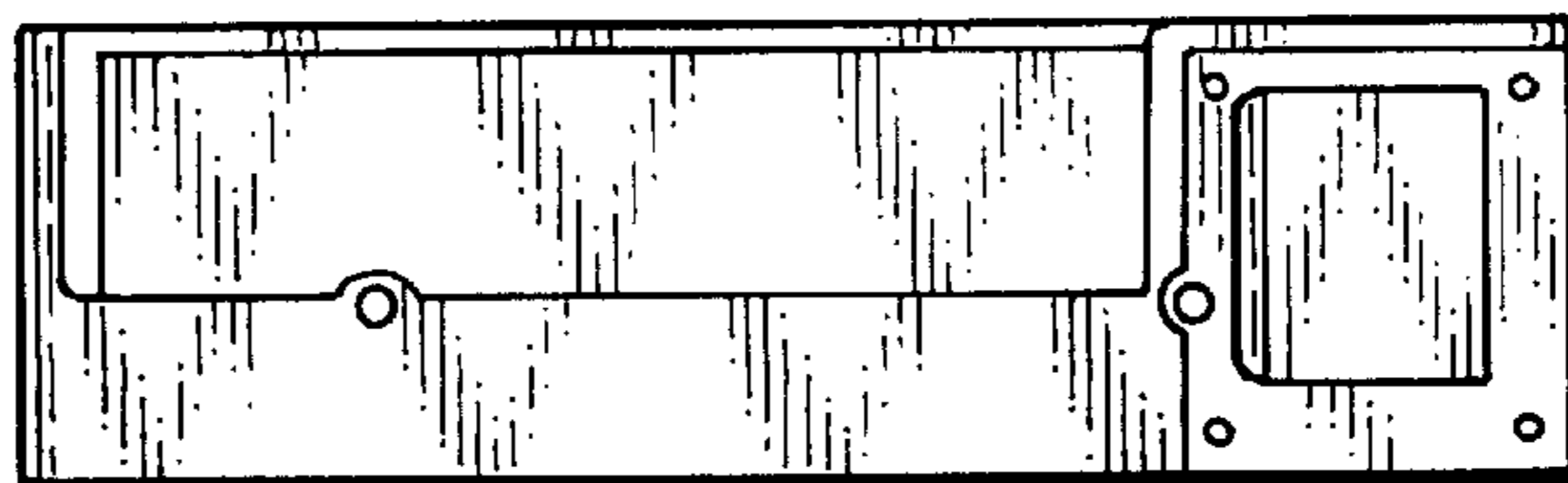


Fig.5



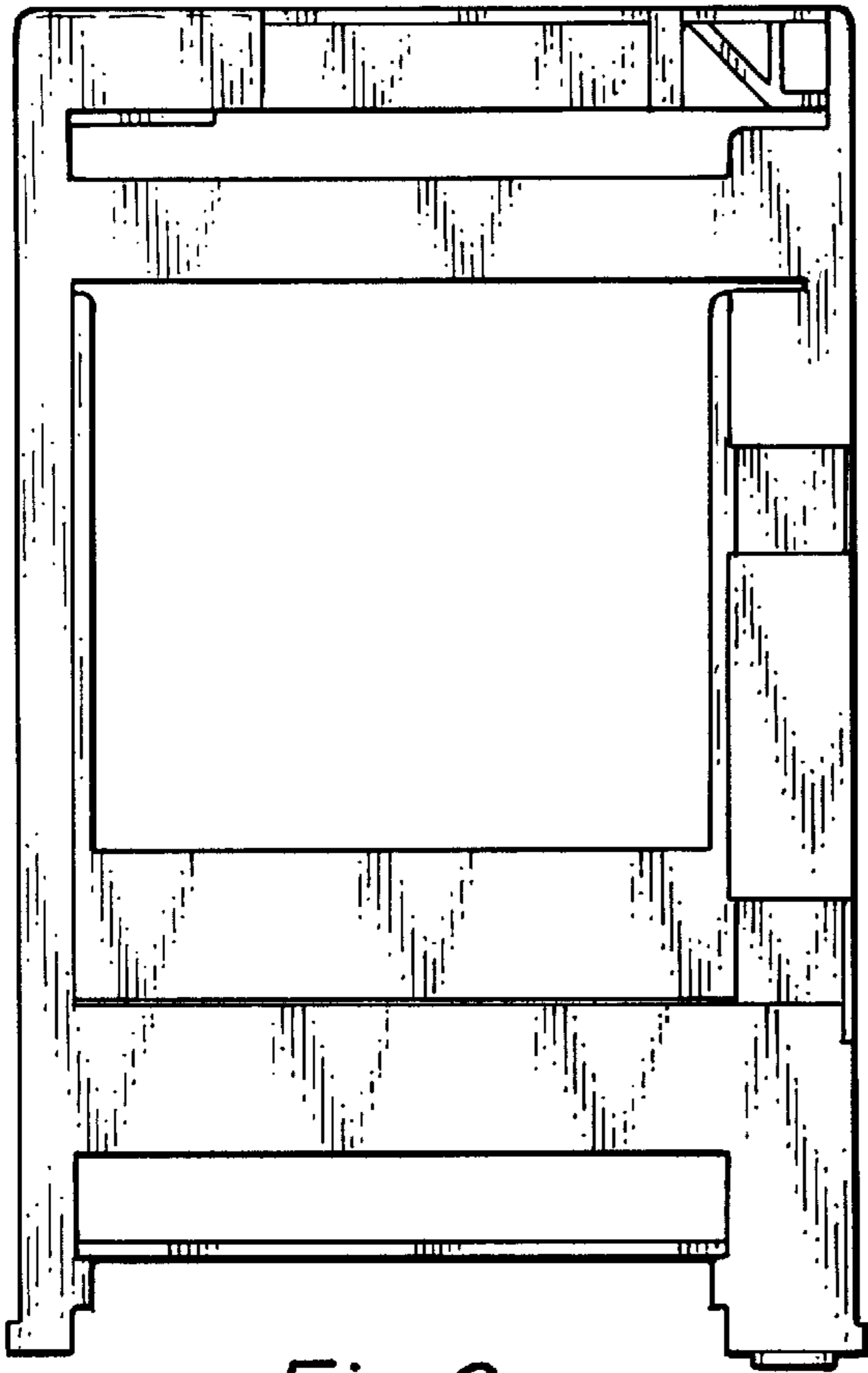


Fig. 6

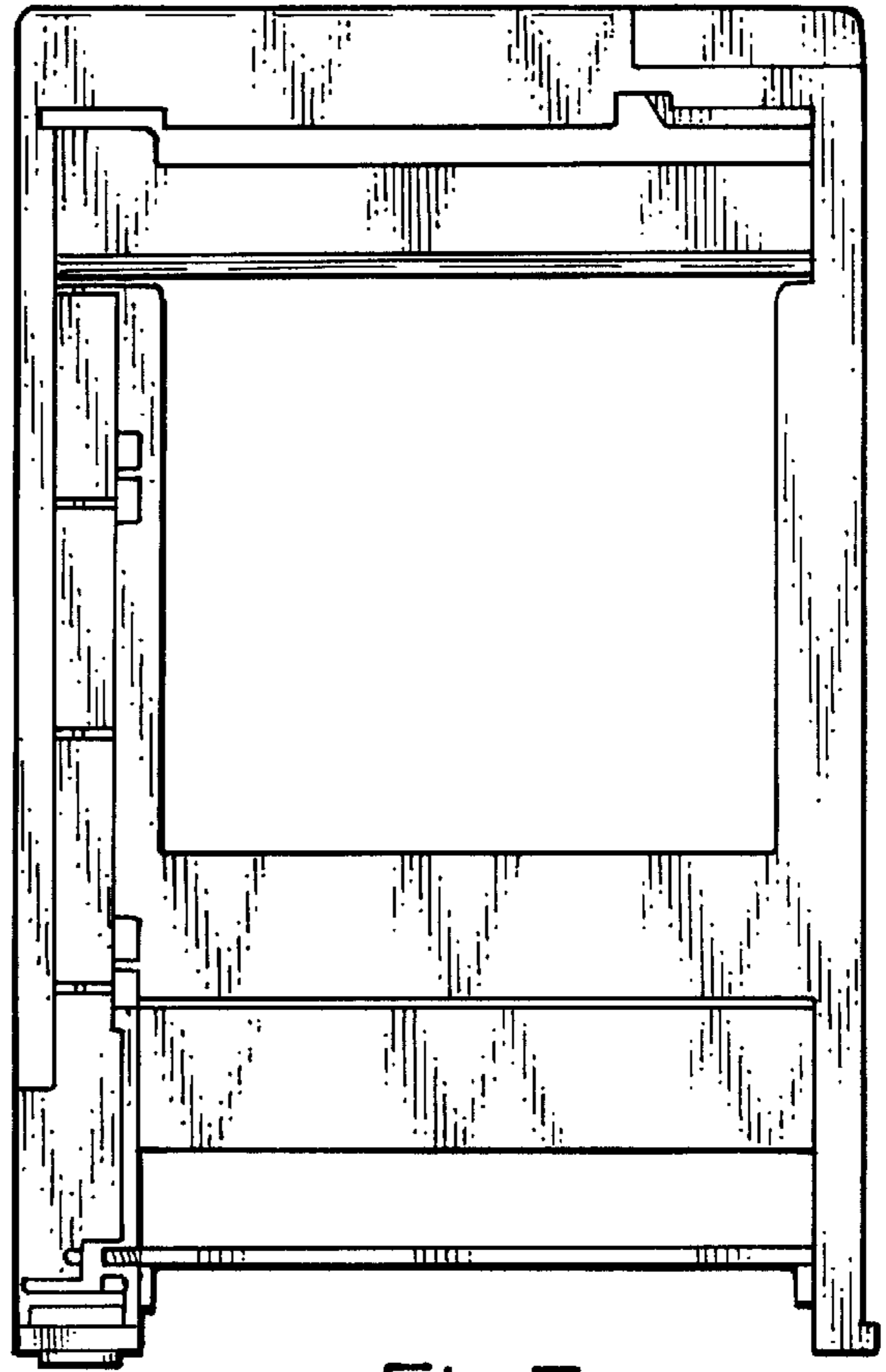


Fig. 7

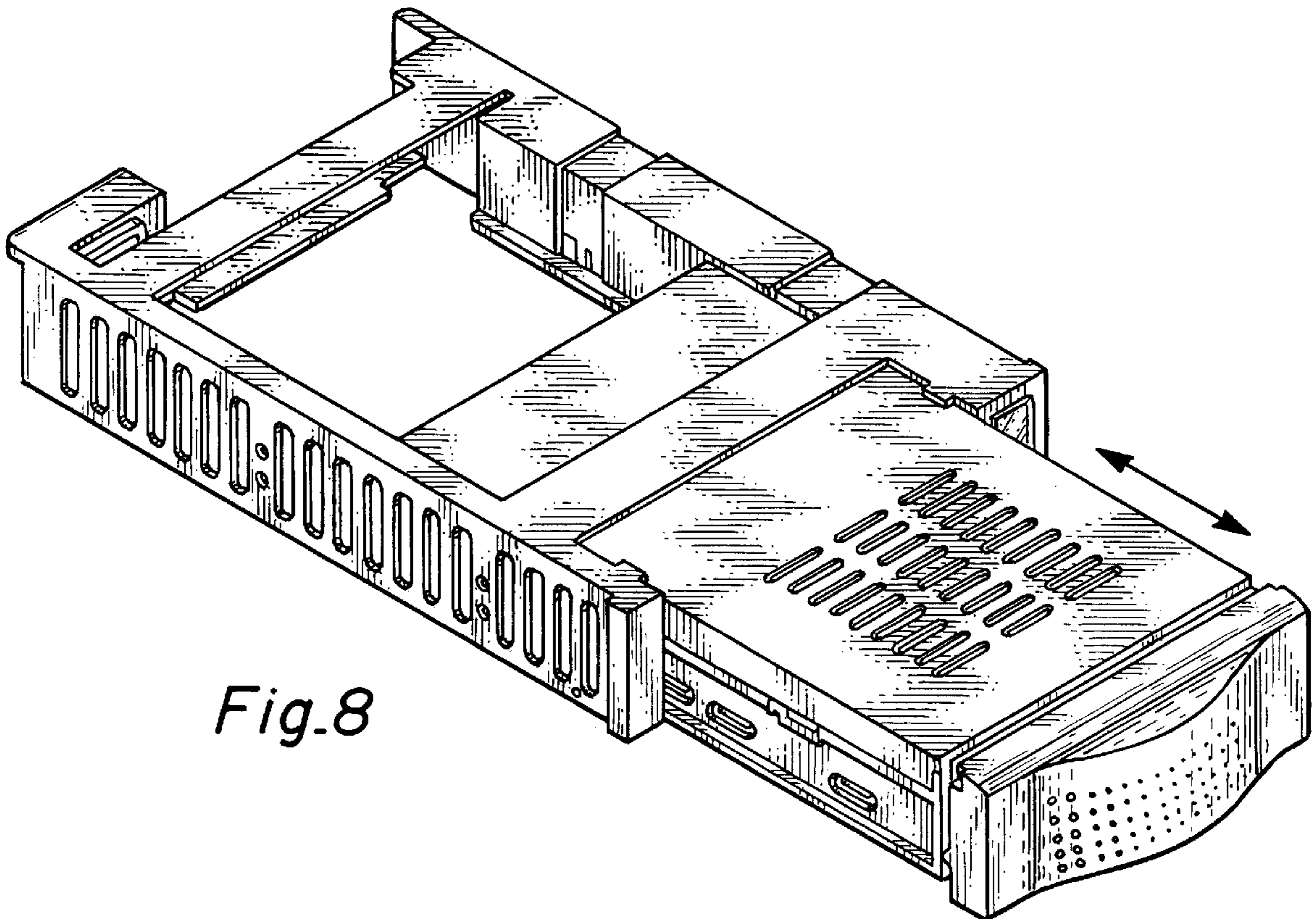


Fig. 8

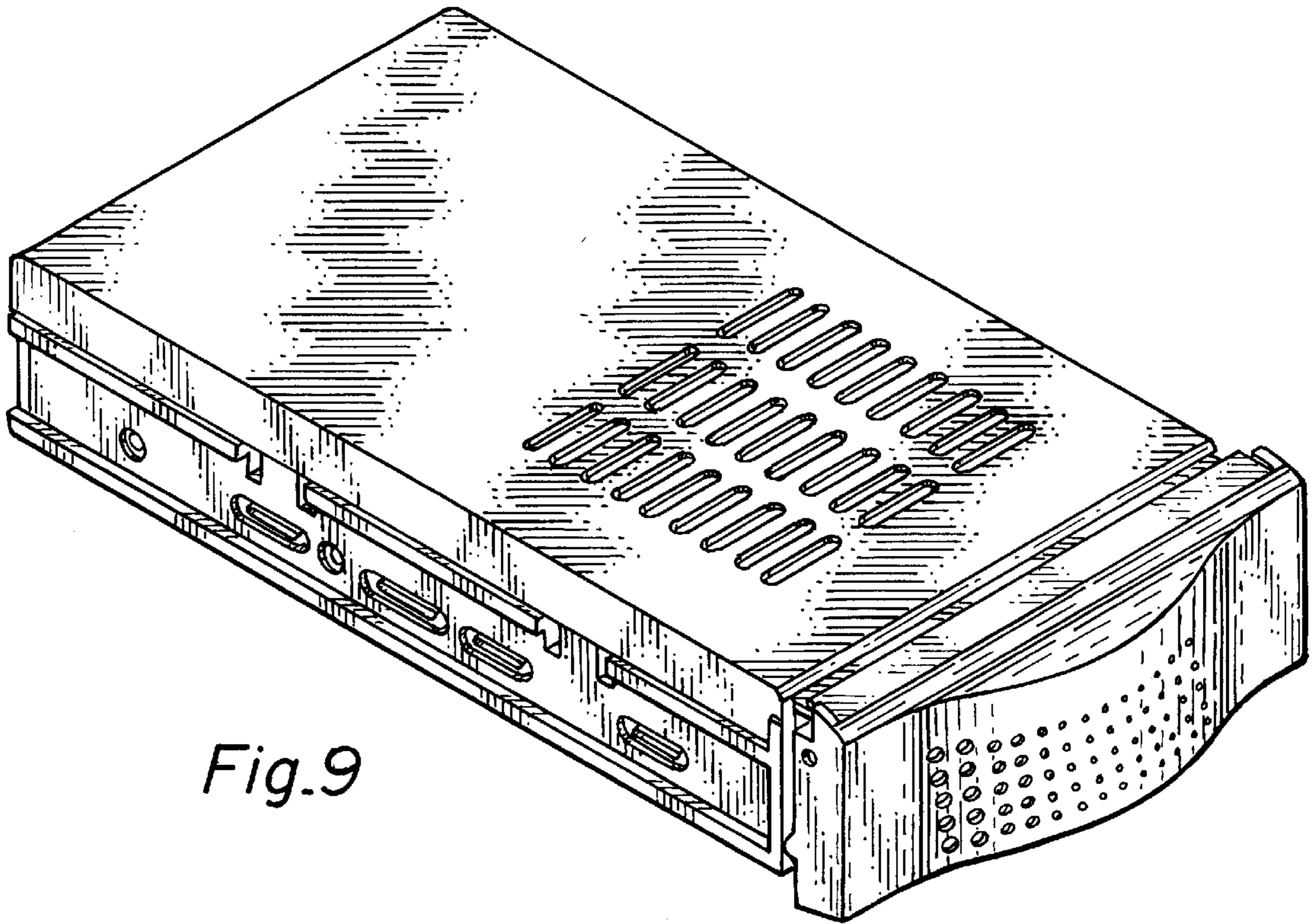


Fig. 9

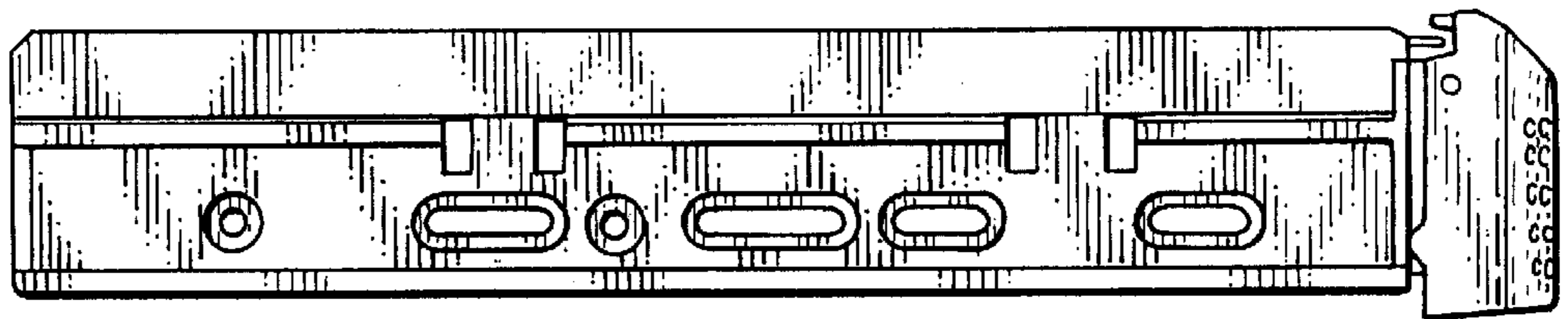


Fig. 10

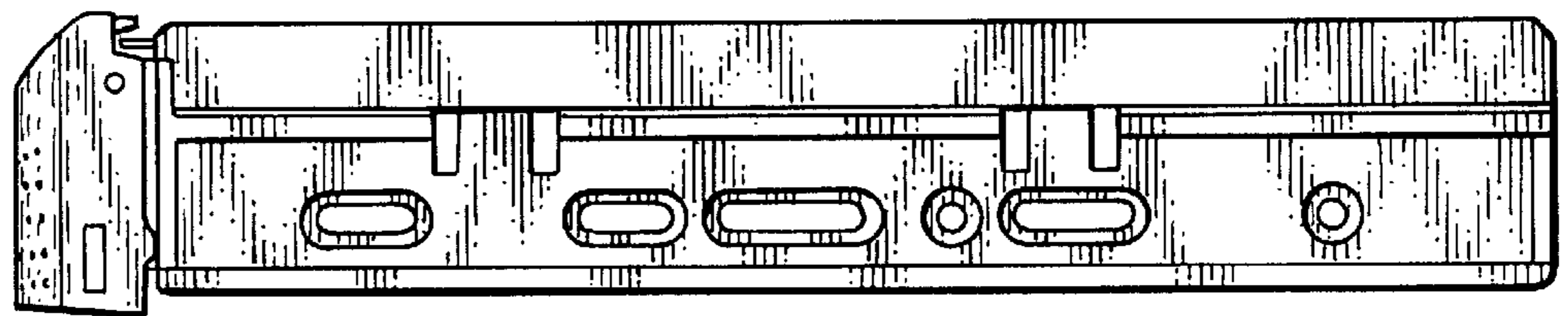


Fig. 11

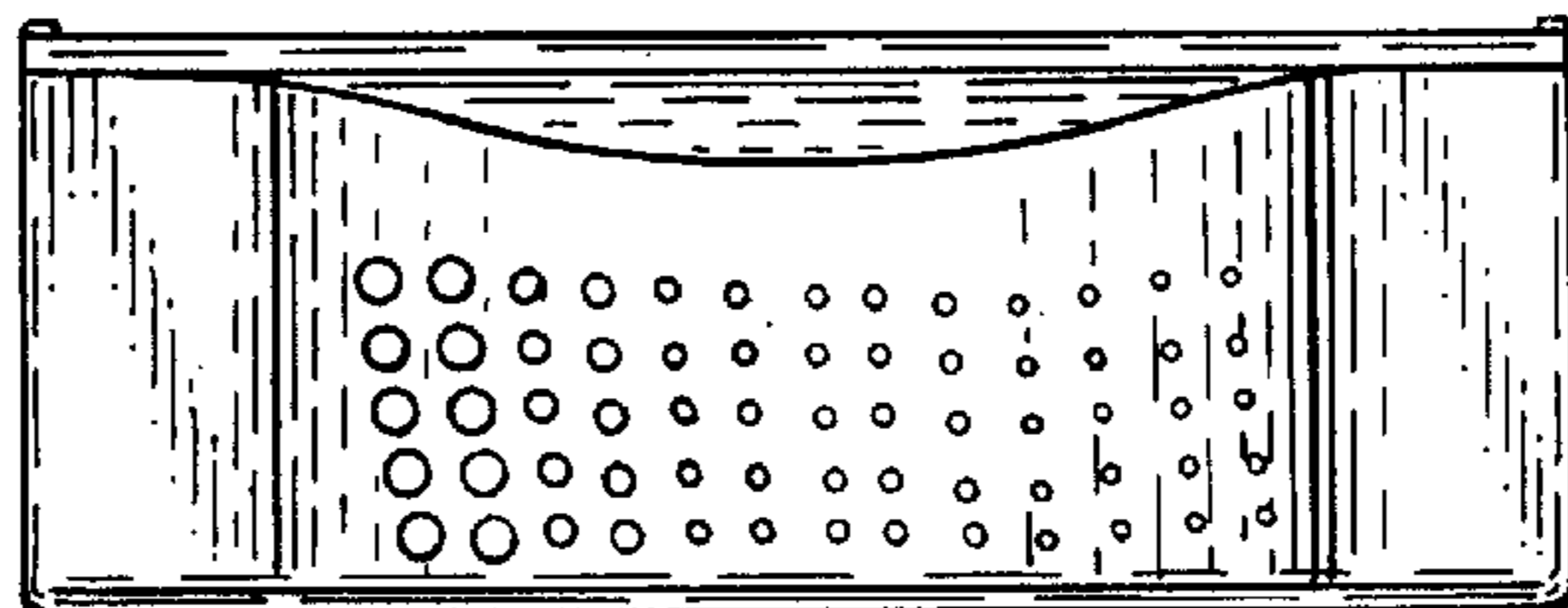


Fig. 12

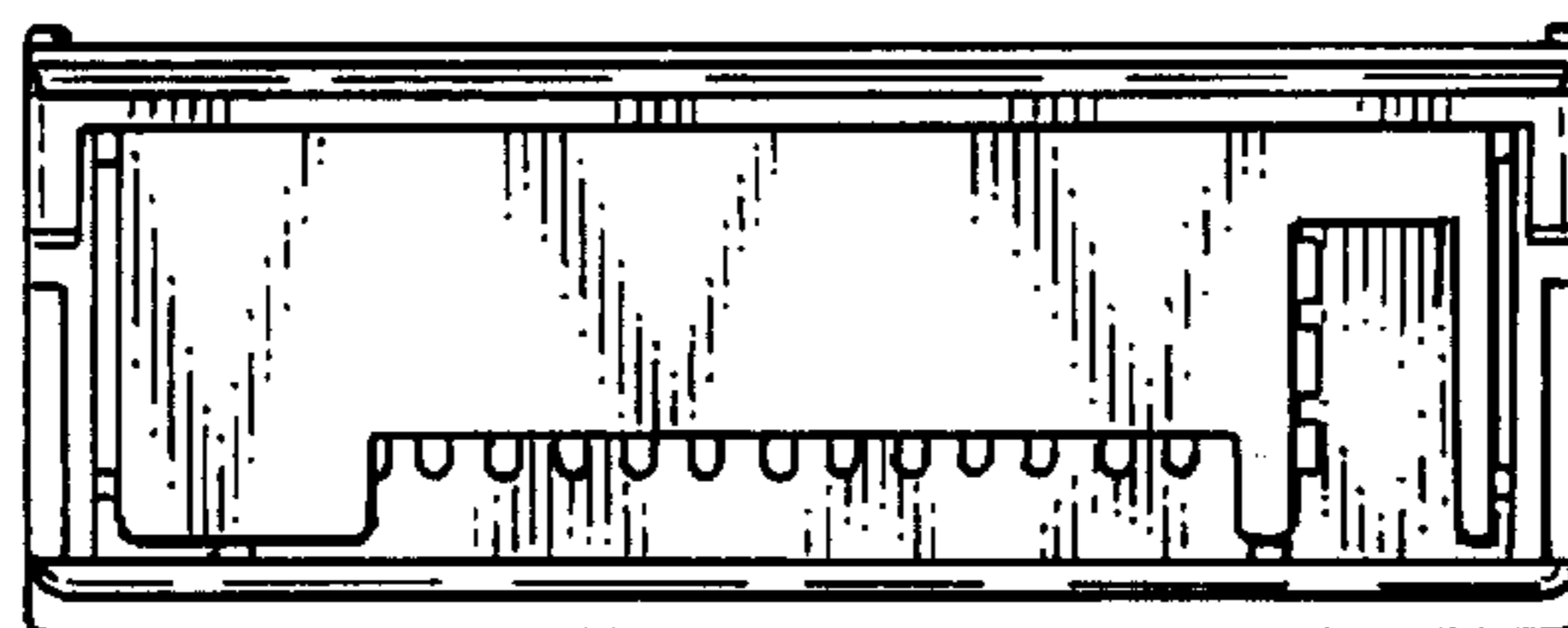


Fig. 13

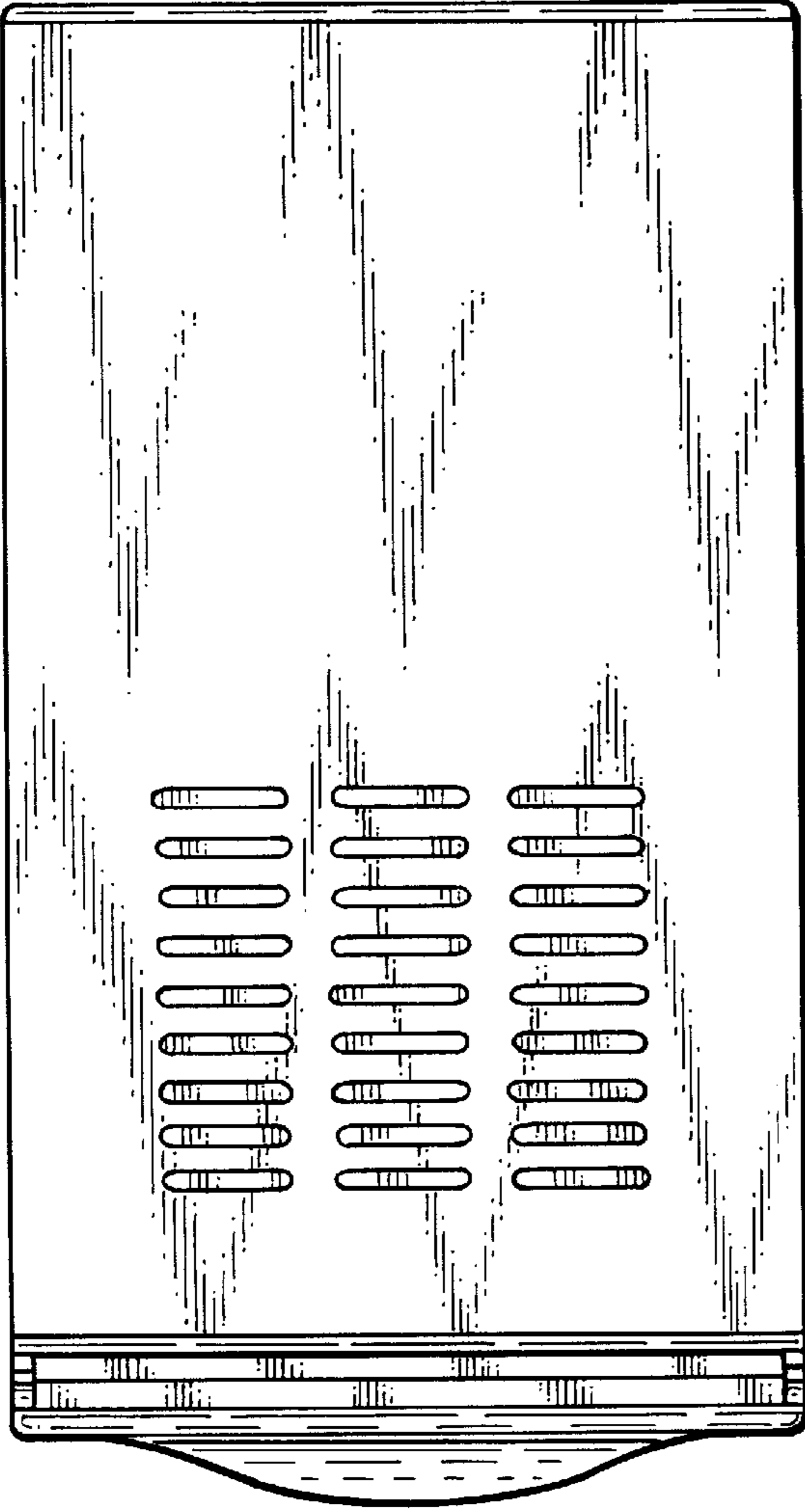


Fig. 14

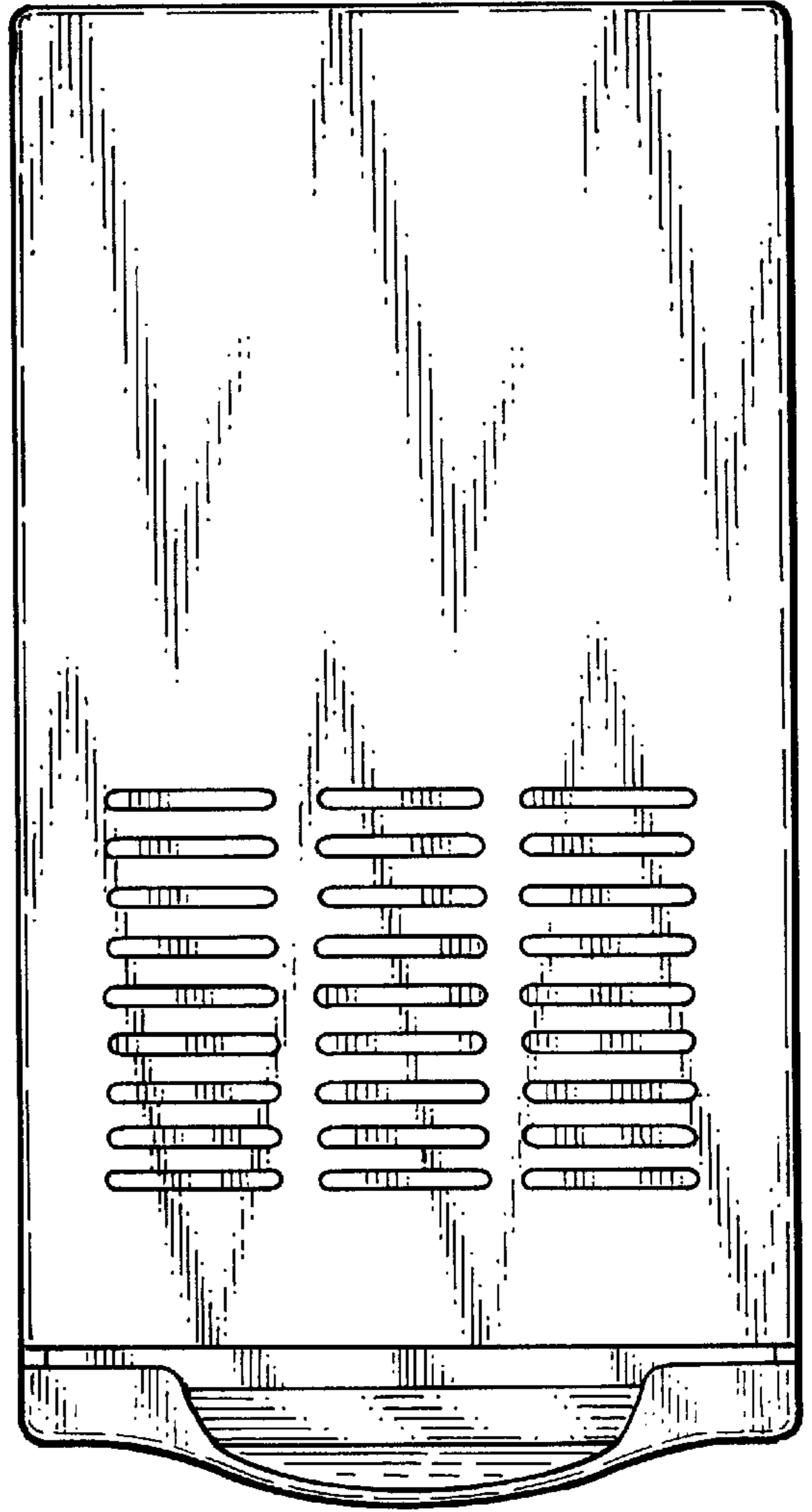


Fig. 15