



US00D399188S

United States Patent [19]
Lin

[11] **Patent Number: Des. 399,188**

[45] **Date of Patent: **Oct. 6, 1998**

[54] **FEMALE CONNECTOR**

[76] Inventor: **Jia-Sheng Lin**, No. 17, Alley 131, Lane 168, Sec 1, Chang Chi St., Tainan, Taiwan

[**] Term: **14 Years**

[21] Appl. No.: **73,783**

[22] Filed: **Jul. 17, 1997**

[51] **LOC (6) Cl. 13-03**

[52] **U.S. Cl. D13/146**

[58] **Field of Search** D13/133, 146;
439/578, 580, 668, 669, 675, 685, 606,
610, 344, 350-354, 357, 358

[56] **References Cited**

U.S. PATENT DOCUMENTS

D. 300,425 3/1989 Sumita D13/133
4,857,008 8/1989 Kee et al. 439/352

OTHER PUBLICATIONS

Hosiden Electronics Co., Ltd.; Quick Lock Type Connector—Item No. TCP9221(12P); pp. 12, Nov. 1987.
Switchcraft, Catalog C90; Microphone Plug; p. 1-8, ©1989.

Primary Examiner—Alan P. Douglas
Assistant Examiner—Lavone D. Tabor
Attorney, Agent, or Firm—Pro-Techtor International Services

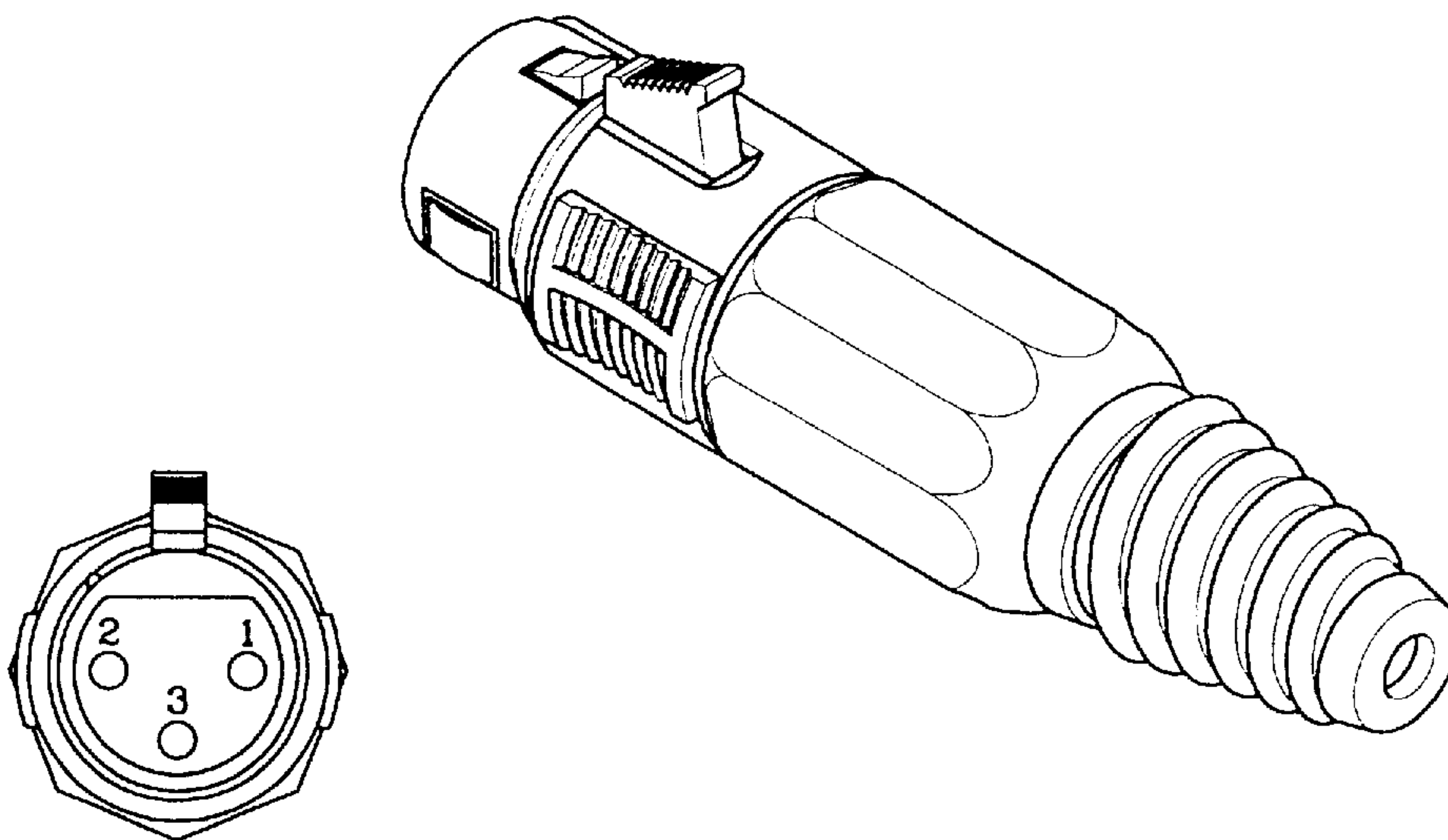
[57] **CLAIM**

The ornamental design for a female connector, as shown.

DESCRIPTION

FIG. 1 is a front elevation view of a female connector showing my new design;
FIG. 2 is a rear elevation view thereof;
FIG. 3 is a left side elevation view thereof;
FIG. 4 is a right side elevation view thereof;
FIG. 5 is a top plan view thereof;
FIG. 6 is a bottom plan view thereof; and,
FIG. 7 is a perspective view thereof.

1 Claim, 4 Drawing Sheets



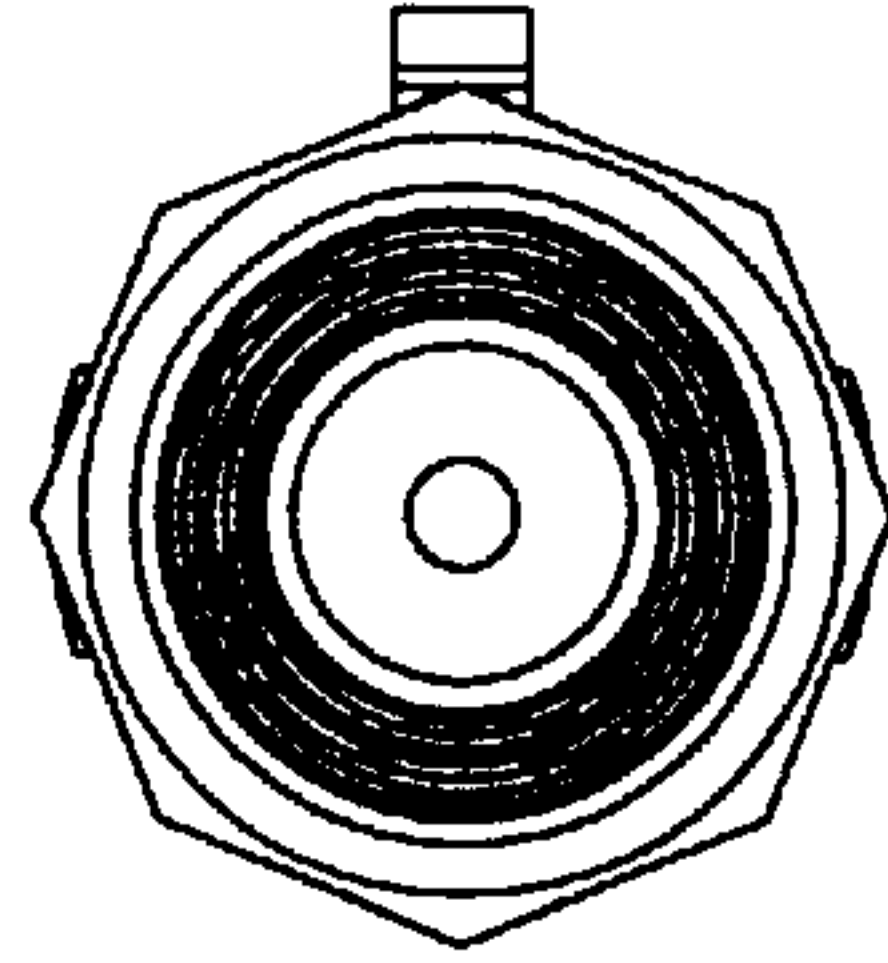


FIG 1

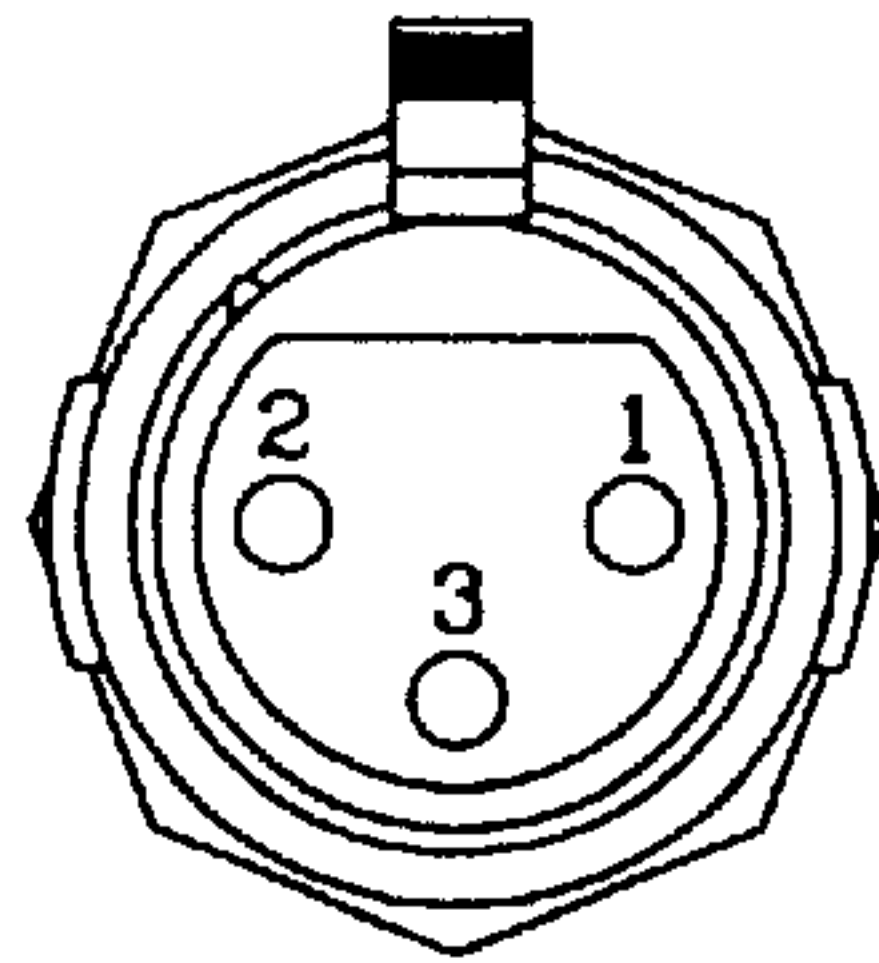


FIG 2

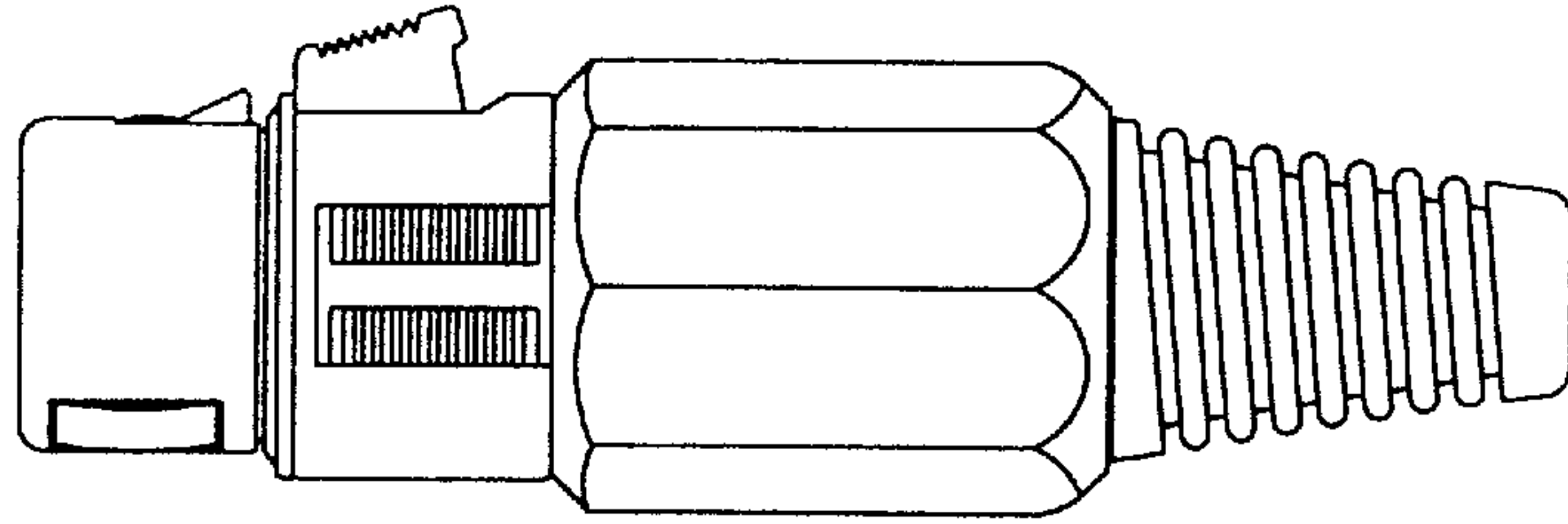


FIG 3

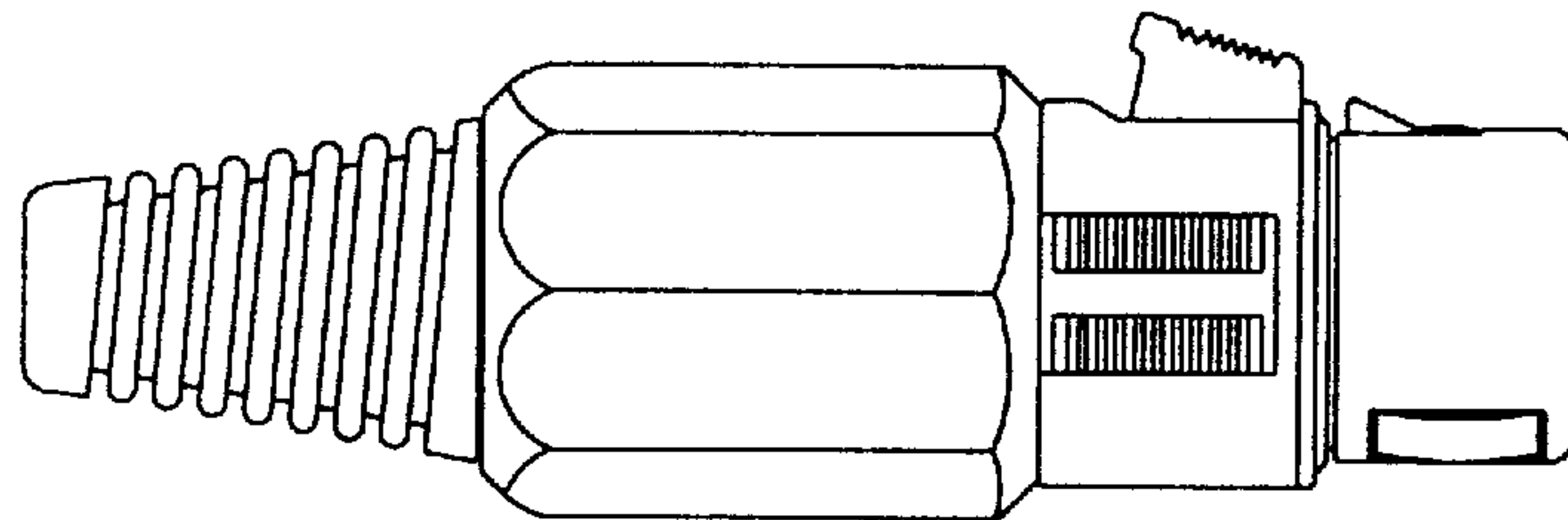


FIG 4

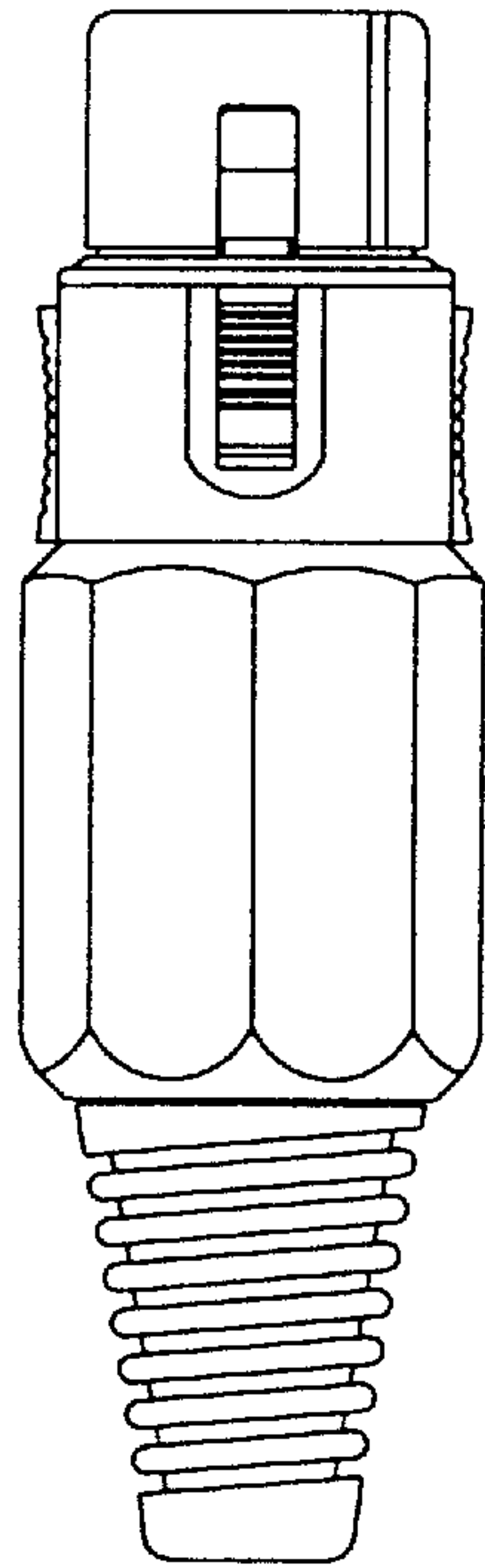


FIG 5

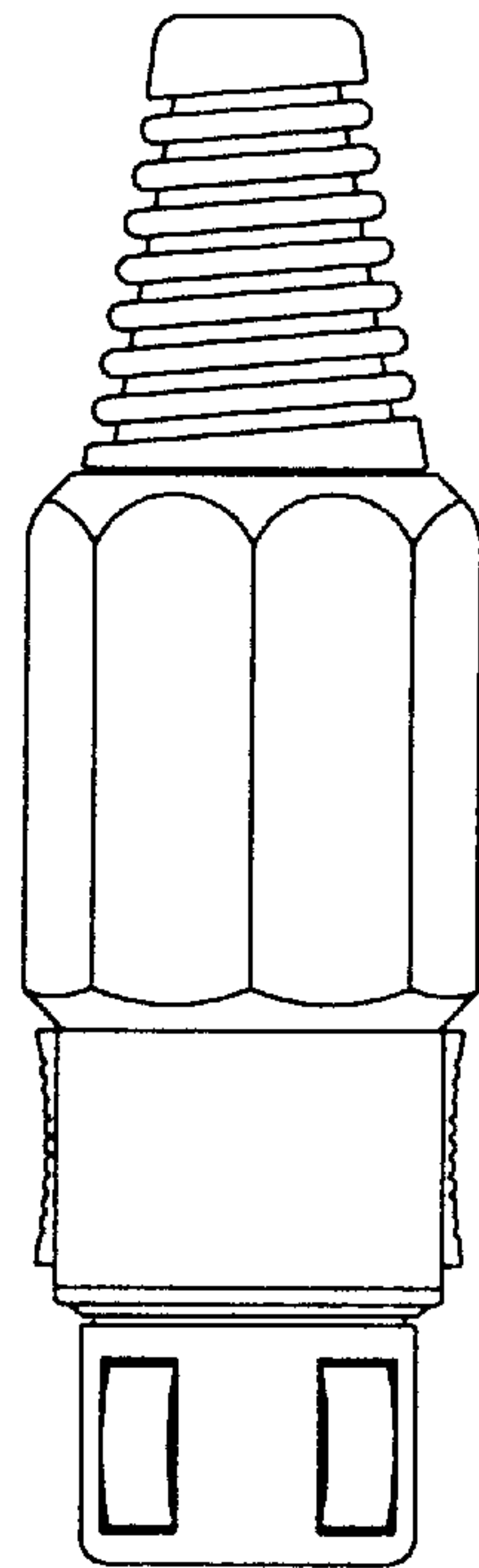


FIG 6

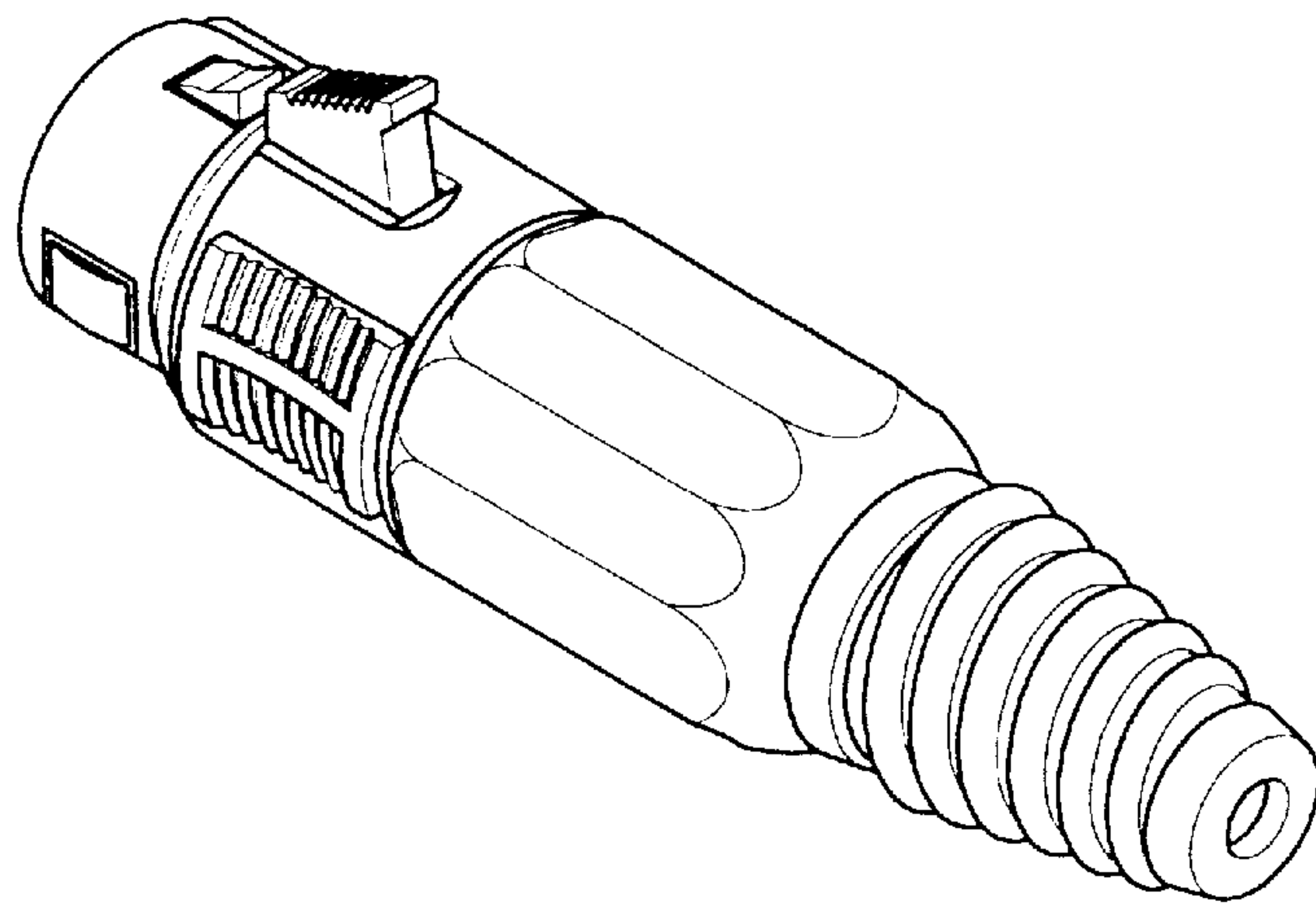


FIG 7