



US00D399187S

United States Patent [19] Kay

[11] **Patent Number:** **Des. 399,187**

[45] **Date of Patent:** ****Oct. 6, 1998**

[54] **MULTIPLE-CONTACT ELECTRICAL CONNECTOR**

4,061,407 12/1977 Snow 439/35
4,072,381 2/1978 Burkhart et al. 439/144
5,571,023 11/1996 Anthony 439/142

[75] Inventor: **Andrew W. Kay**, Fort Wayne, Ind.

[73] Assignee: **Tekonsha Engineering Company**,
Tekonsha, Mich.

[**] Term: **14 Years**

Primary Examiner—Alan P. Douglas
Assistant Examiner—Lavone D. Tabor
Attorney, Agent, or Firm—Price, Heneveld, Cooper DeWitt
& Litton

[21] Appl. No.: **61,210**

[22] Filed: **Oct. 17, 1996**

[51] **LOC (6) Cl.** **13-03**

[52] **U.S. Cl.** **D13/146**

[58] **Field of Search** D13/133, 146,
D13/147, 156; 439/135–140, 142, 149,
521, 35, 144, 147, 503, 675, 738, 750

[57] **CLAIM**

The ornamental design for the multiple-contact electrical connector, as shown and described.

[56] **References Cited**

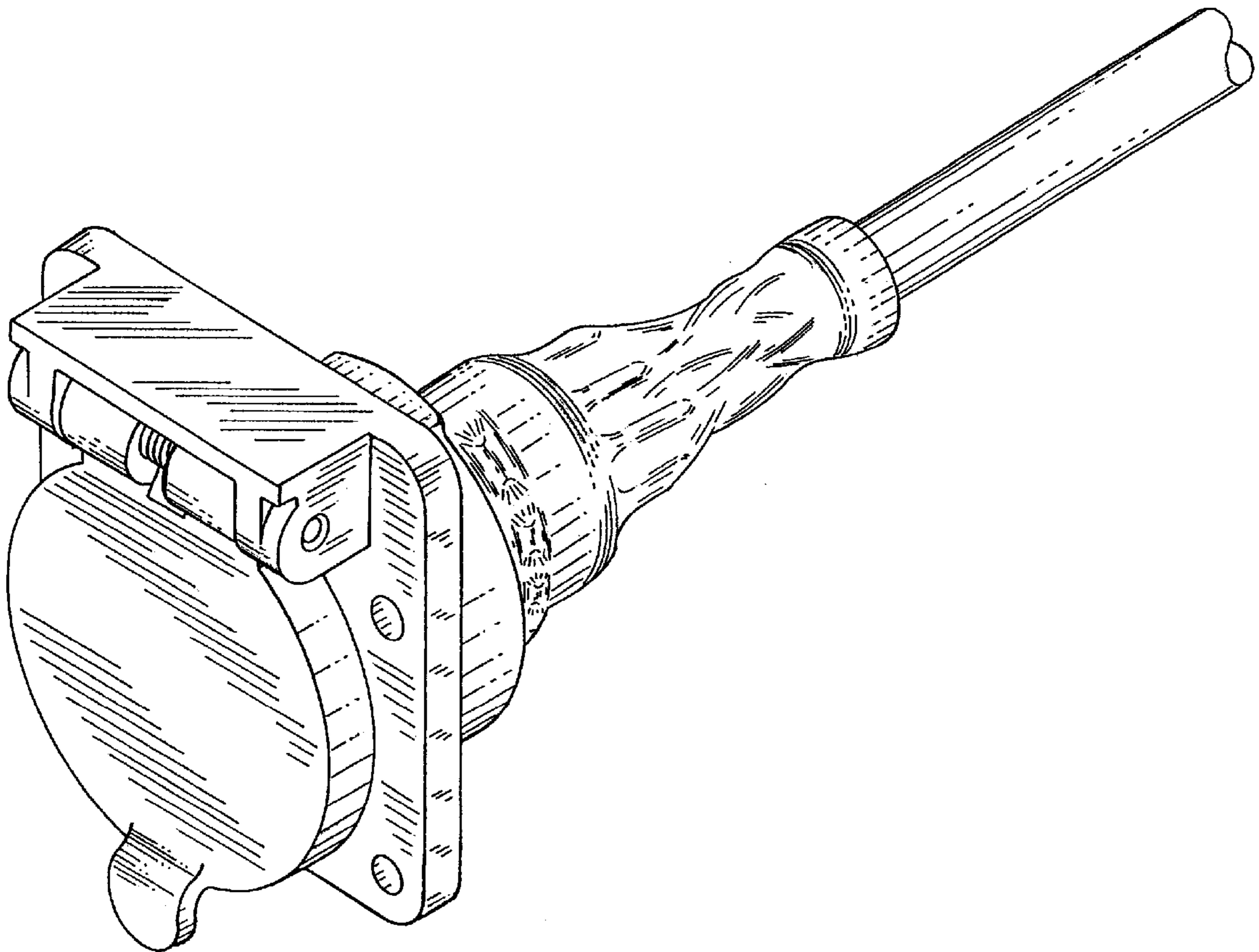
U.S. PATENT DOCUMENTS

D. 316,399 4/1991 Wharton D13/133
1,132,294 3/1915 Wilkie 439/738

DESCRIPTION

FIG. 1 is a perspective view of an electrical connector embodying the design;
FIG. 2 is a top plan view thereof;
FIG. 3 is a front elevation thereof;
FIG. 4 is a side elevation thereof;
FIG. 5 is a rear elevation thereof; and,
FIG. 6 is a bottom plan view thereof.
The side opposite FIG. 4 is a mirror image of that figure.

1 Claim, 1 Drawing Sheet



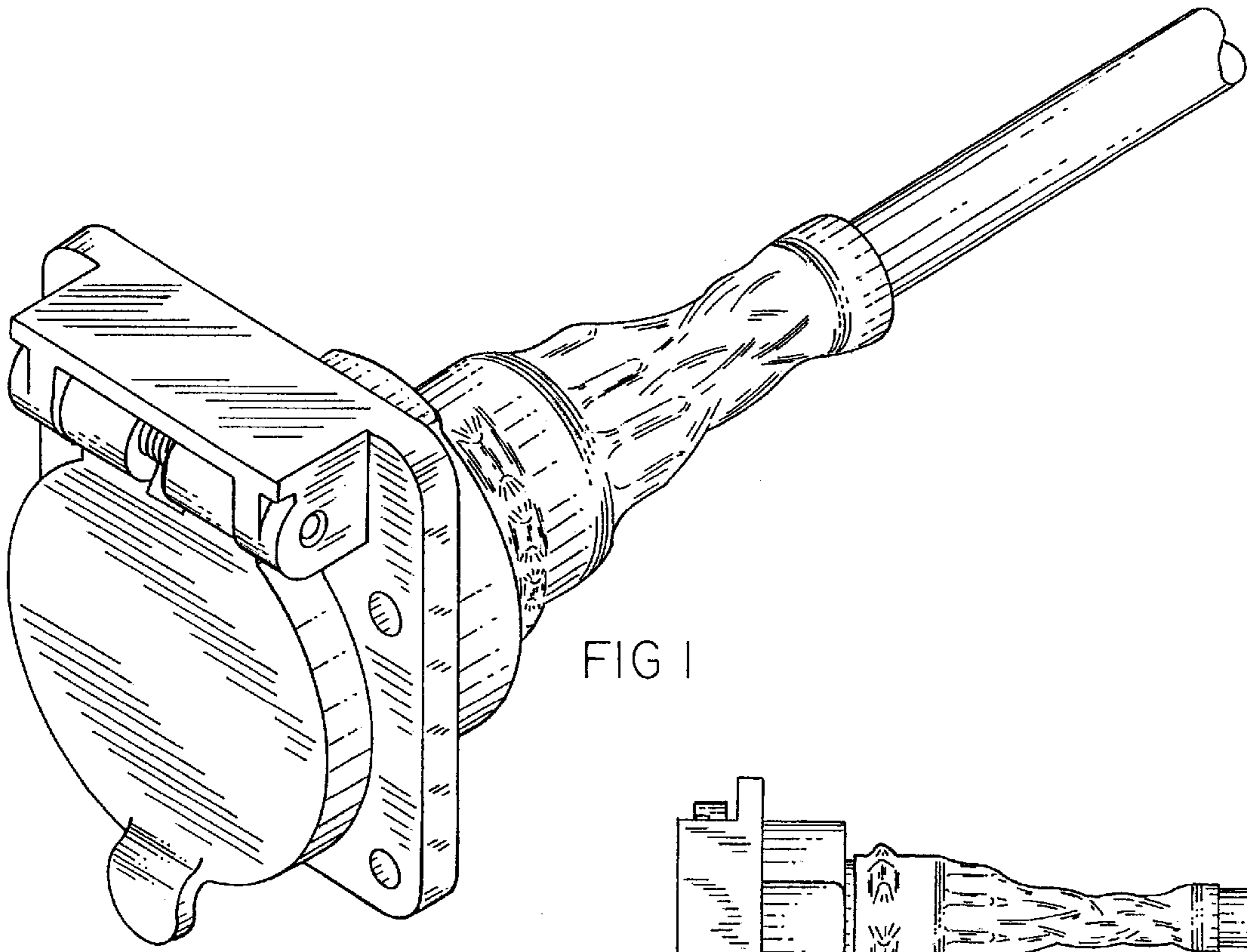


FIG 1

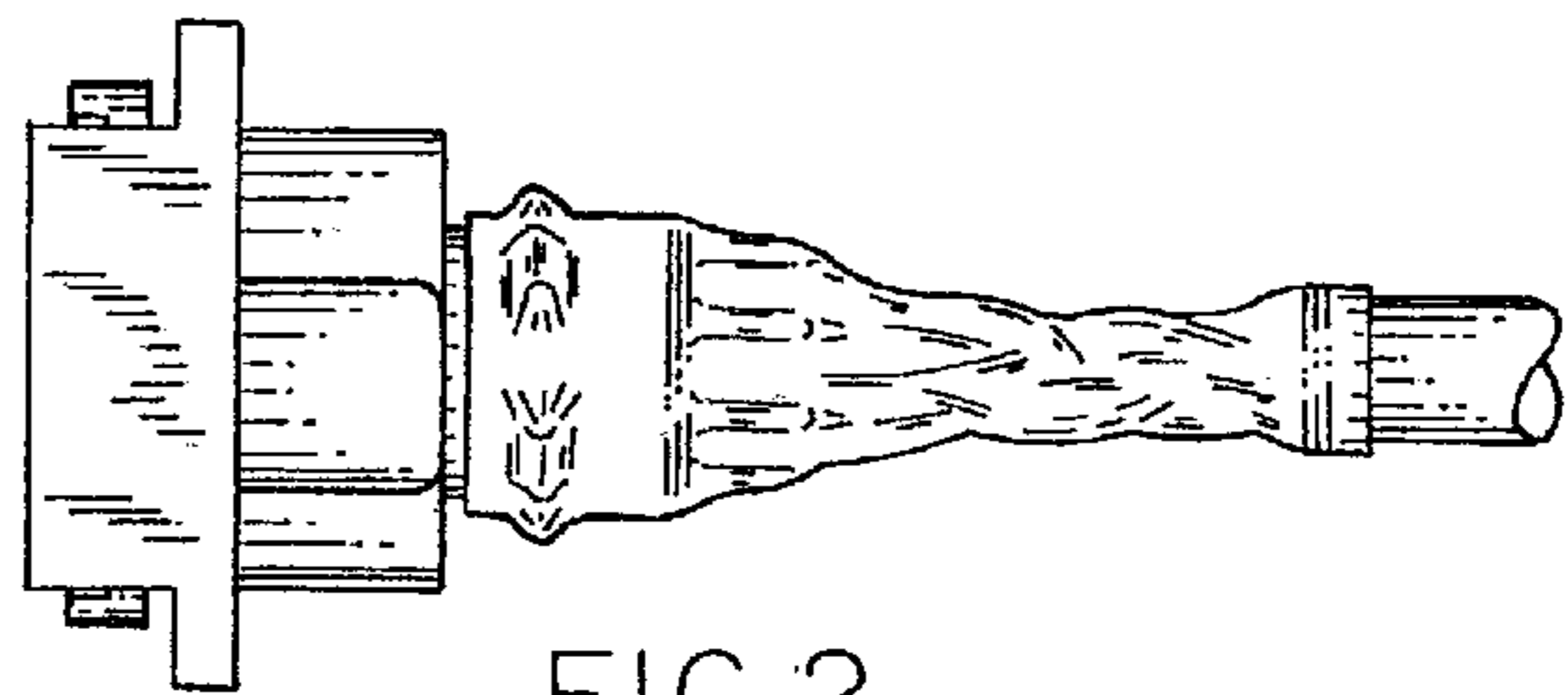


FIG 2

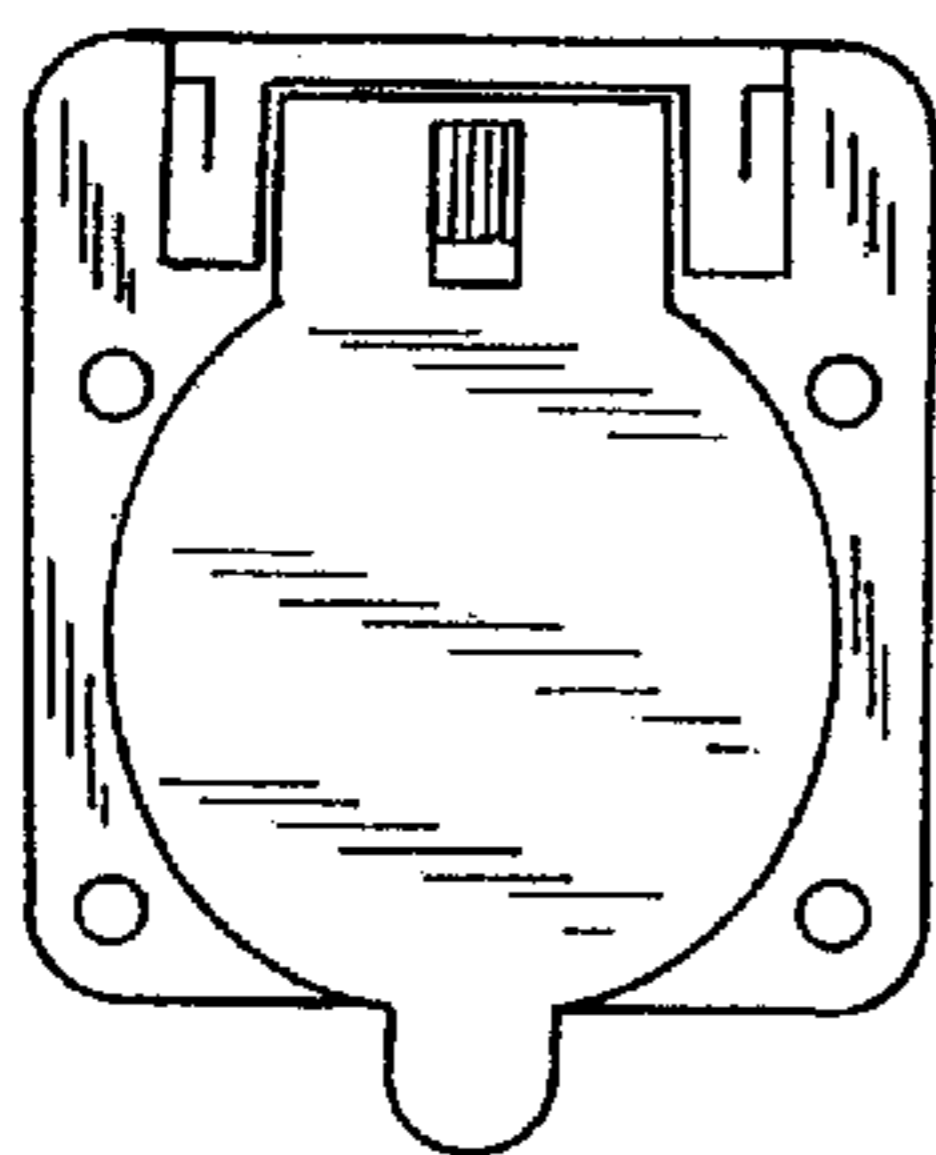


FIG 3

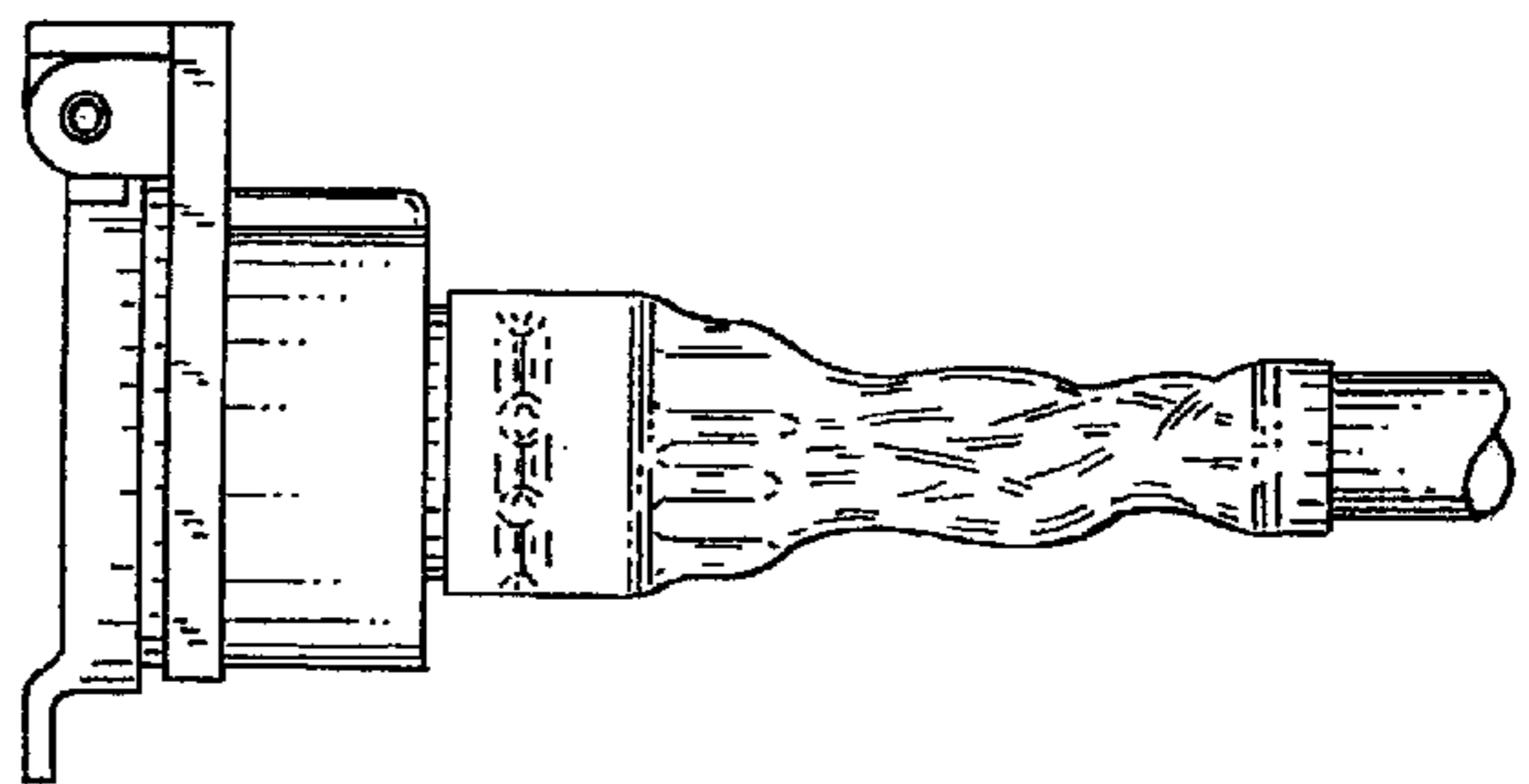


FIG 4

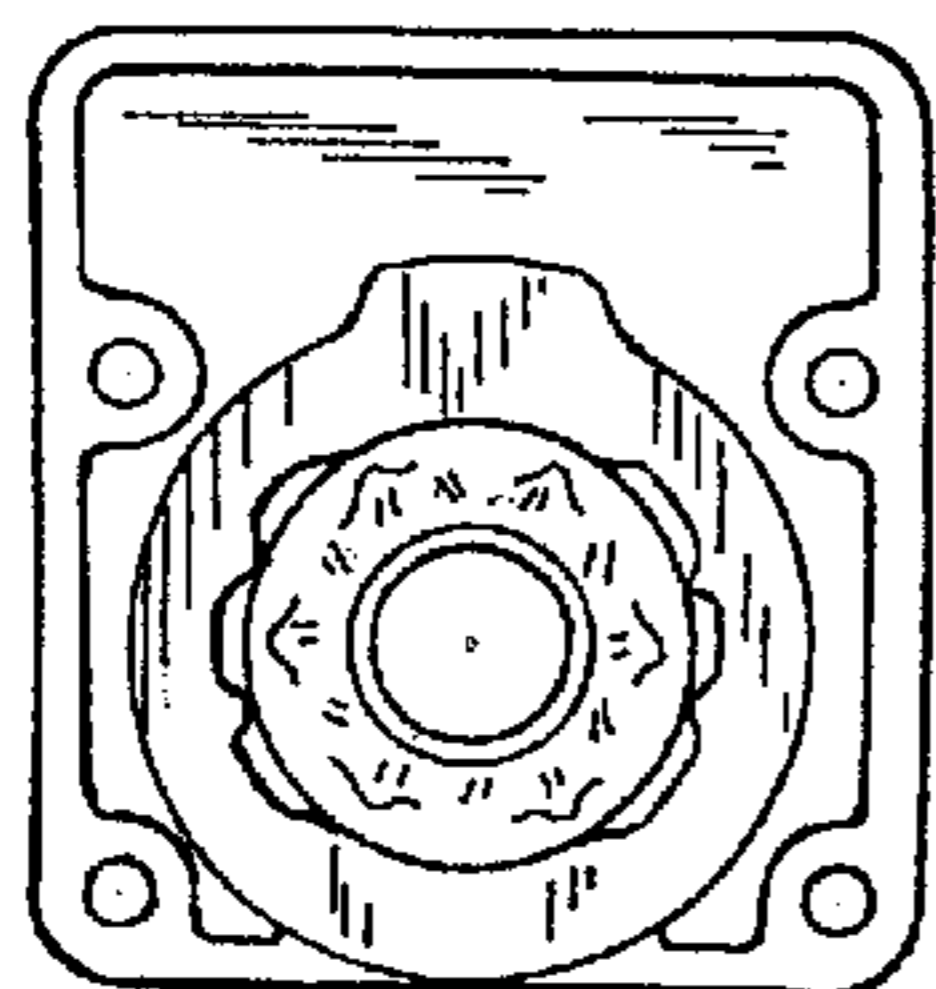


FIG 5

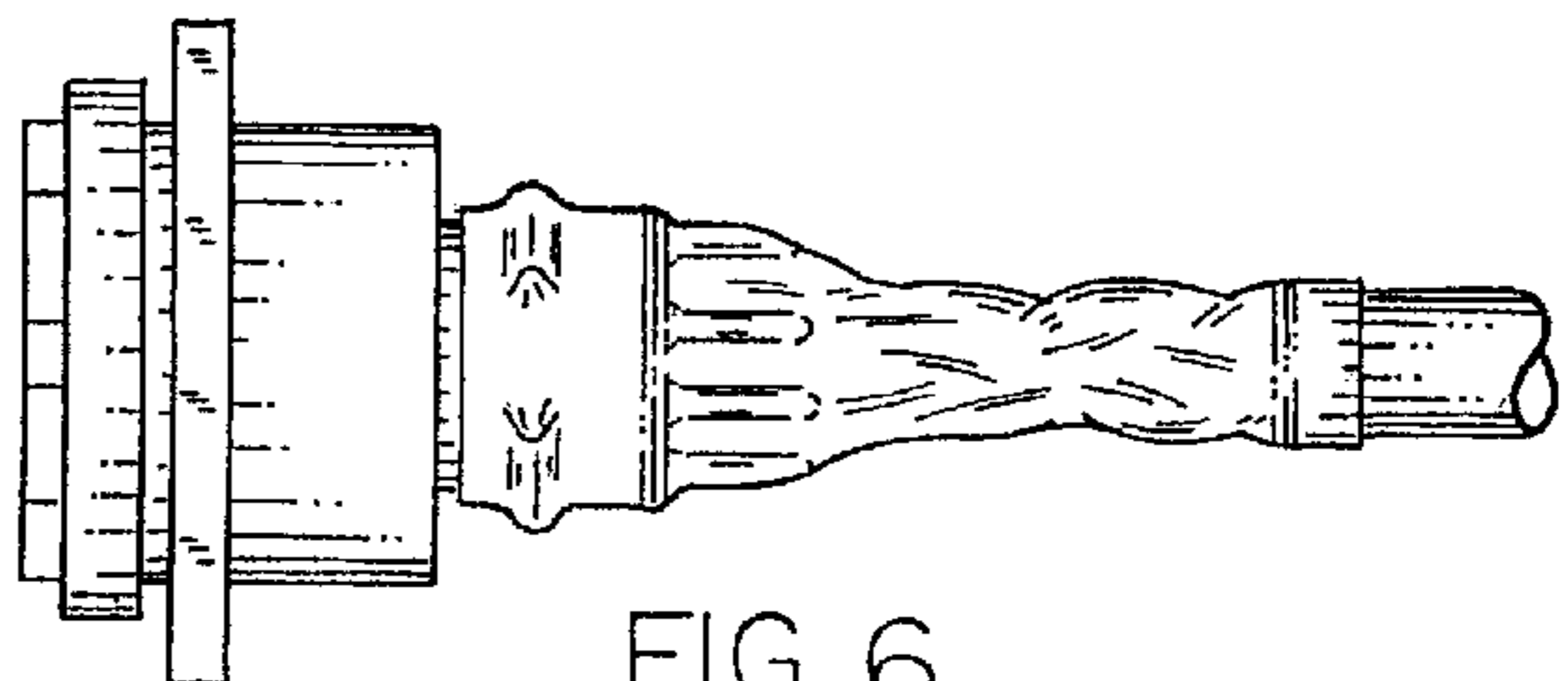


FIG 6