



US00D399183S

# United States Patent [19] Ciamillo, II

[11] **Patent Number:** **Des. 399,183**  
[45] **Date of Patent:** **\*\*Oct. 6, 1998**

[54] **UNDERWATER DIVING VEHICLE**

[75] **Inventor:** **Theodore Joseph Ciamillo, II,**  
Lawrenceville, Ga.

[73] **Assignee:** **Marine Gear Corporation,** Atlanta,  
Ga.

[\*\*] **Term:** **14 Years**

[21] **Appl. No.:** **77,012**

[22] **Filed:** **Sep. 17, 1997**

[51] **LOC (6) Cl.** ..... **12-06**

[52] **U.S. Cl.** ..... **D12/308**

[58] **Field of Search** ..... D12/300, 308;  
114/312, 314, 315, 334, 331, 66, 330

[56] **References Cited**

### U.S. PATENT DOCUMENTS

D. 206,942 2/1967 Speers ..... D12/308

D. 238,567 1/1976 Markham ..... D12/308  
D. 239,098 3/1976 Robinson ..... D12/308  
D. 323,808 2/1992 DeSantis ..... D12/308  
4,889,066 12/1989 Neil et al. .... 114/334

*Primary Examiner*—Kay H. Chin  
*Attorney, Agent, or Firm*—Bernstein & Associates

### [57] CLAIM

The ornamental design for an underwater diving vehicle, as shown and described.

### DESCRIPTION

FIG. 1 is a perspective view of an underwater diving vehicle;  
FIG. 2 is a front view thereof;  
FIG. 3 is a side elevation view thereof;  
FIG. 4 is a top view thereof;  
FIG. 5 is a rear view thereof; and,  
FIG. 6 is a bottom view thereof.

**1 Claim, 4 Drawing Sheets**

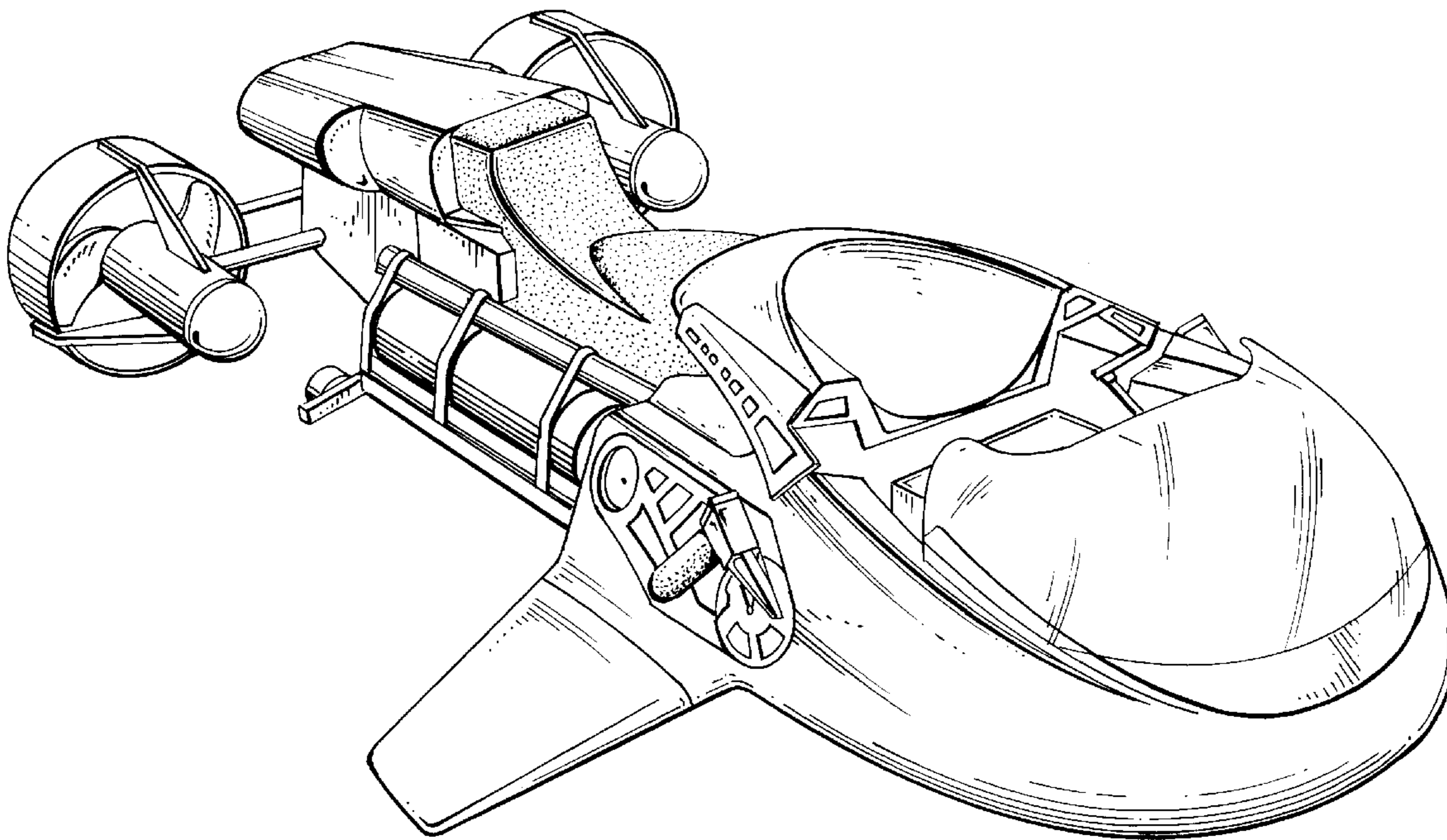
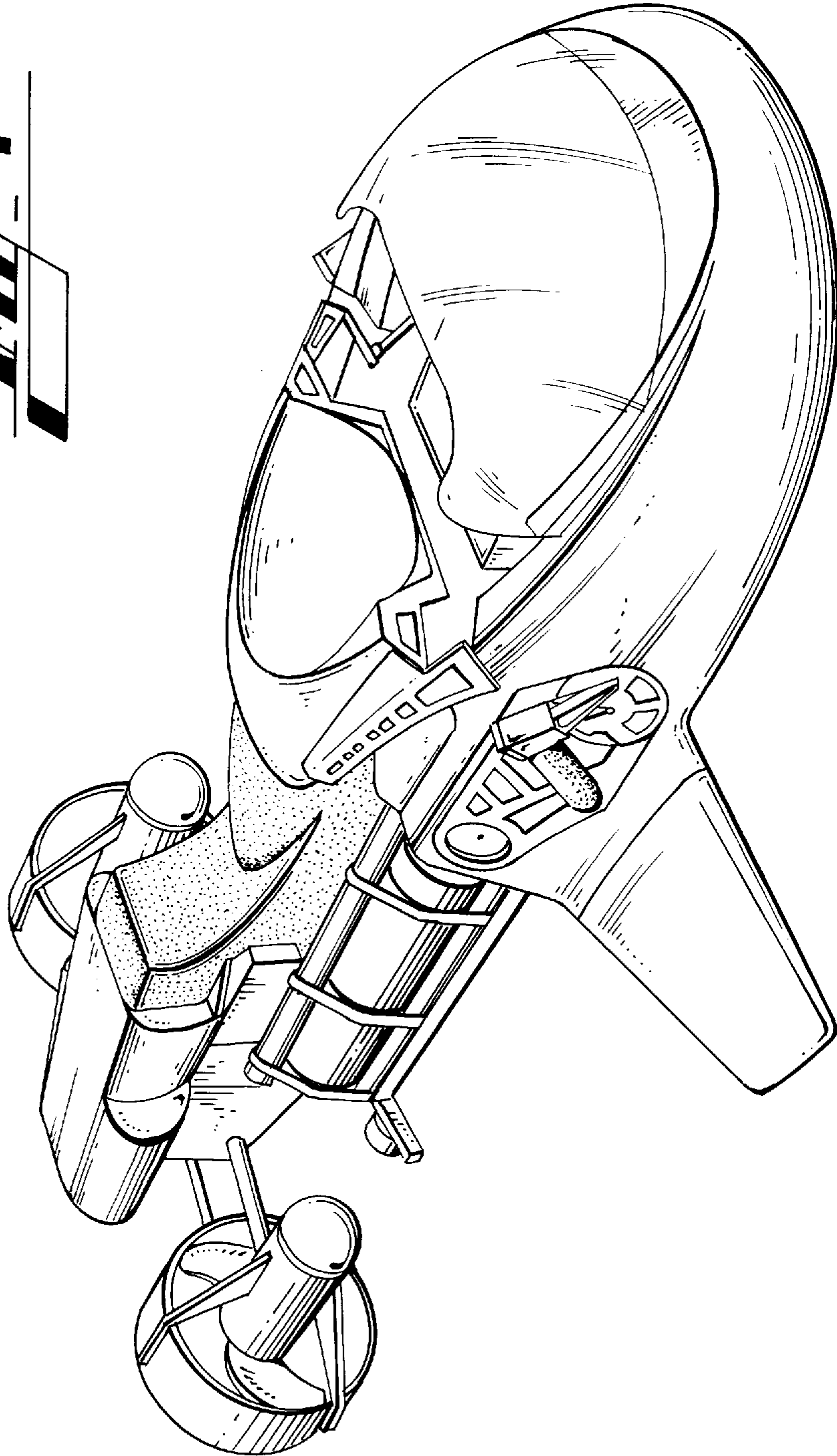
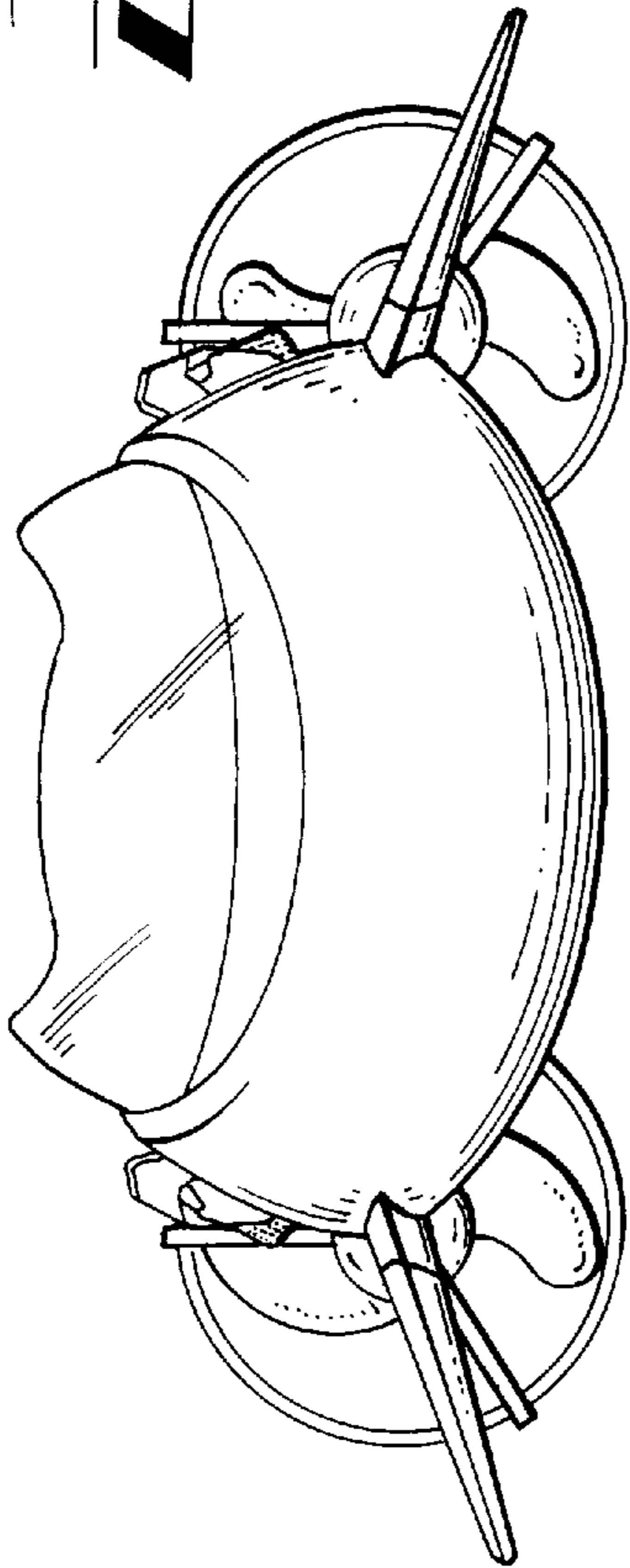


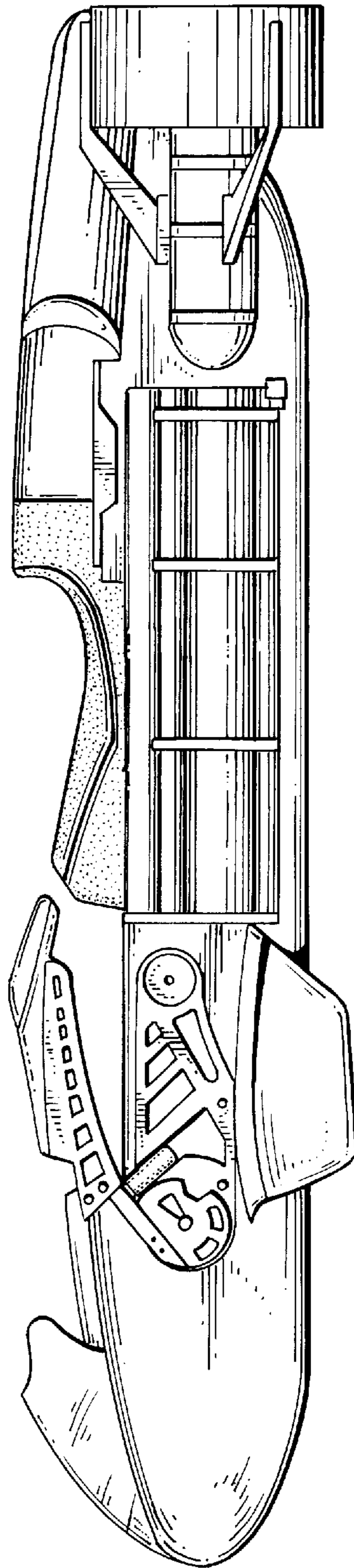
Fig. 1

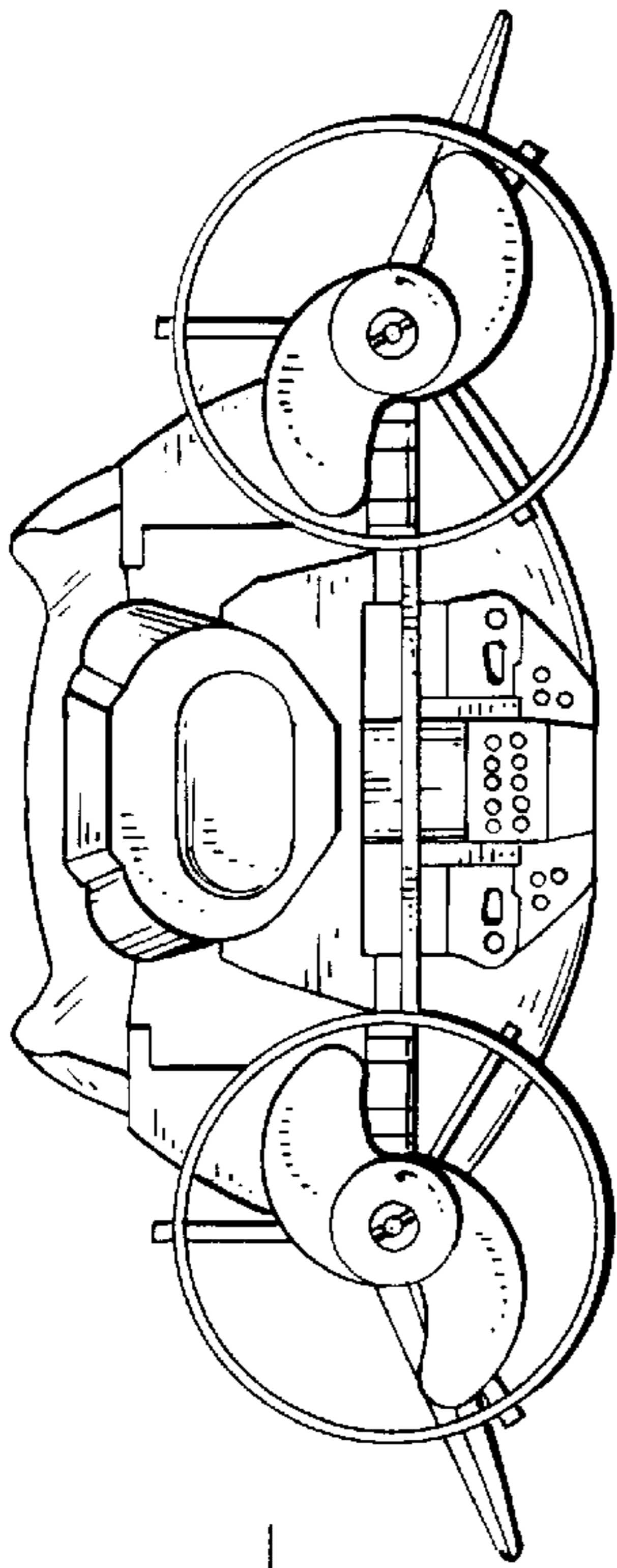


**Fig. 2**

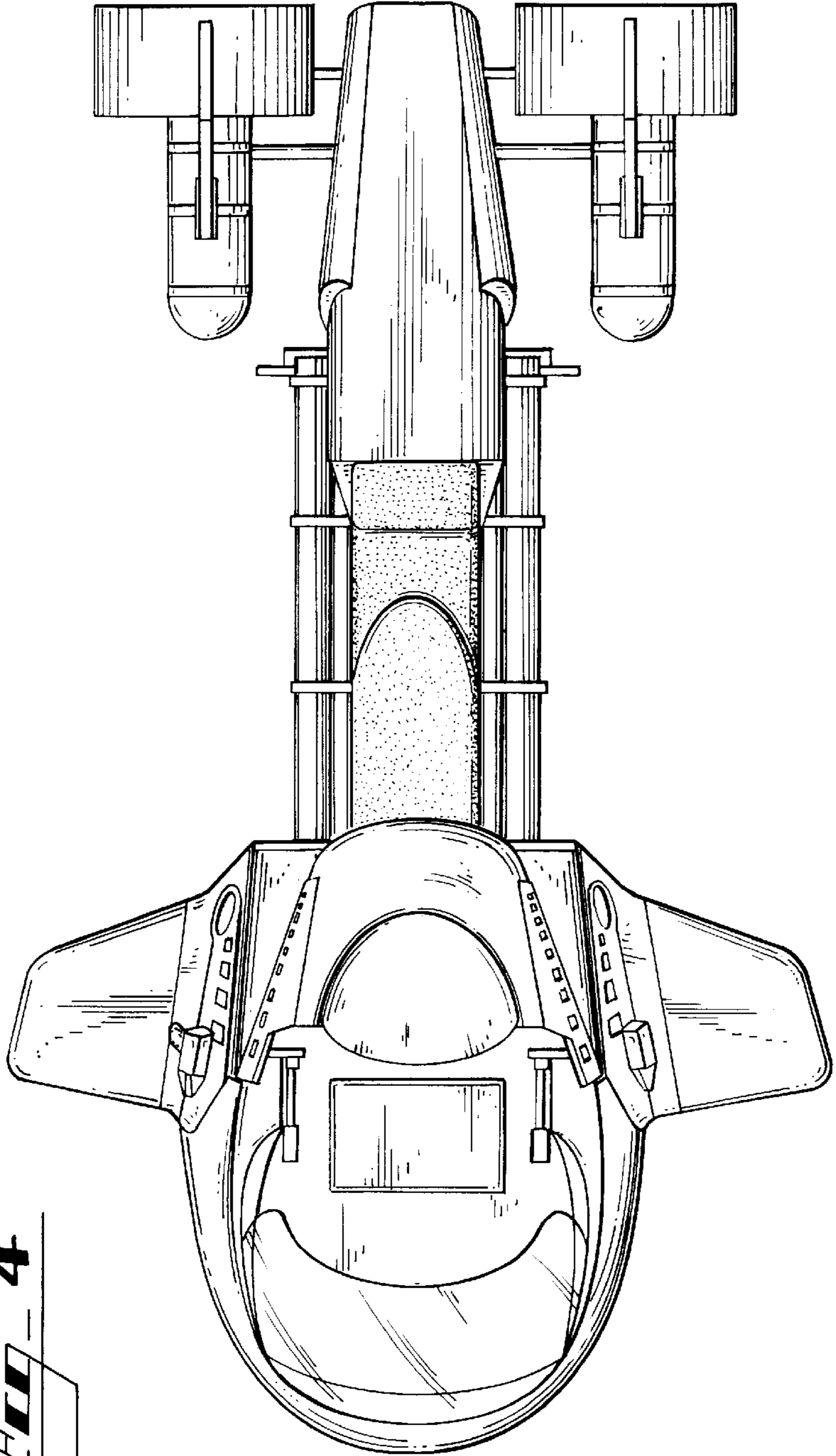


**Fig. 3**

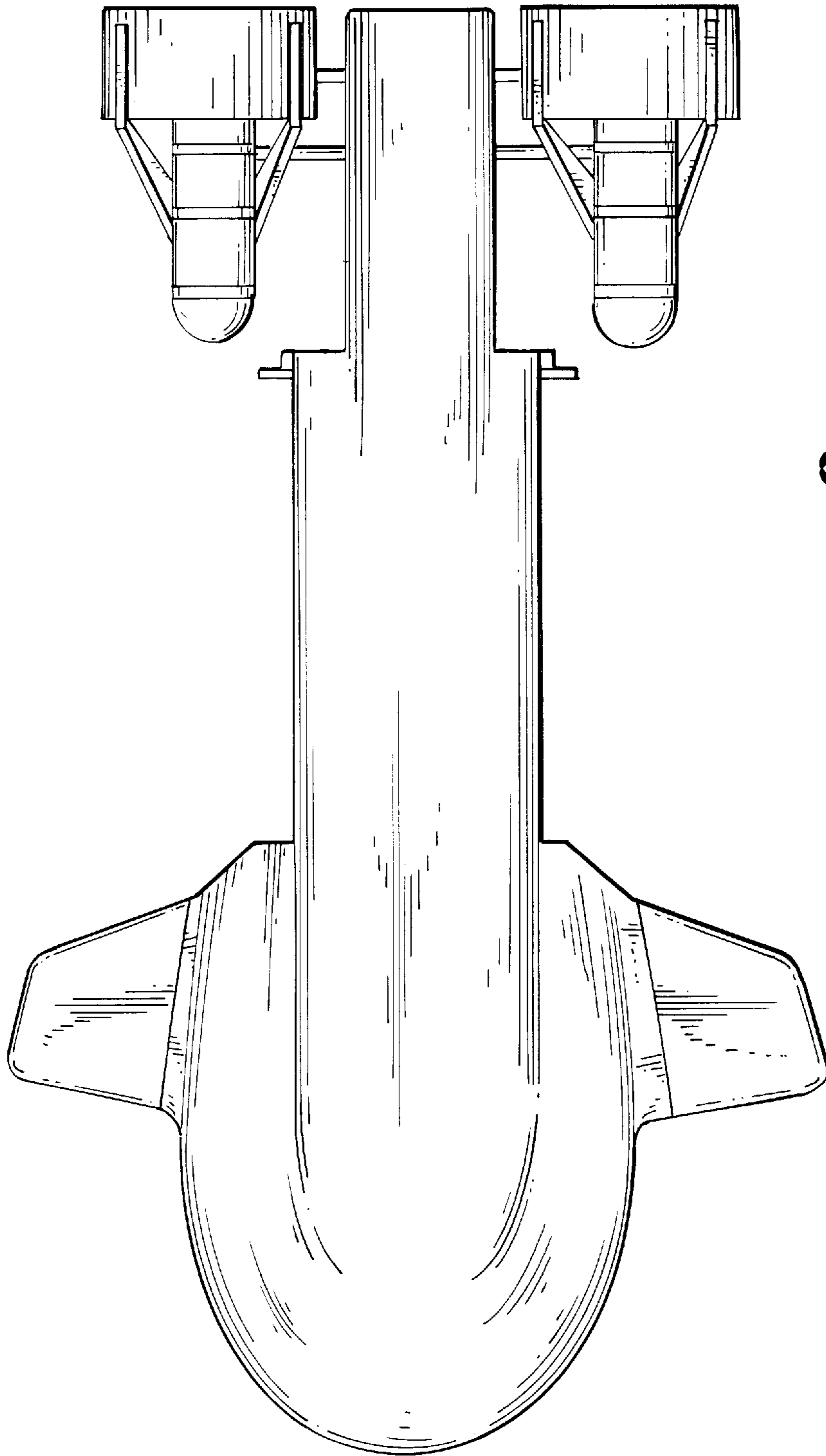




**Fig. 5**



**Fig. 4**



**Fig. 6**