



US00D399171S

# United States Patent [19] McNamara

[11] Patent Number: Des. 399,171

[45] Date of Patent: \*\*Oct. 6, 1998

[54] **SIMPLIFIED TIE RESTRAINT**

[76] Inventor: **Brian McNamara**, 54 Arena Ter.,  
Concord, Mass. 01742

[\*\*] Term: **14 Years**

[21] Appl. No.: **71,361**

[22] Filed: **May 28, 1997**

[51] **LOC (6) Cl.** ..... **02-07**

[52] **U.S. Cl.** ..... **D11/202**

[58] **Field of Search** ..... D11/200, 202;  
D2/639; 24/49.1, 54, 56, 66.2; 2/145

[56] **References Cited**

**U.S. PATENT DOCUMENTS**

2,024,943	12/1935	Mix	.....	D11/202
2,702,904	3/1955	Scully	.....	2/145
5,216,785	6/1993	Graef	.....	24/49.1
5,337,457	8/1994	Chennault	.....	24/66.2
5,353,438	10/1994	Voiles	.....	2/145

*Primary Examiner*—Ralf Seifert  
*Attorney, Agent, or Firm*—Mark P. White

[57] **CLAIM**

The ornamental design for a simplified tie restraint, as shown and described.

**DESCRIPTION**

FIG. 1 depicts the tie restraint attached to a tie, as seen from the back, or shirt side, of the tie;

FIG. 2 depicts a perspective view of the tie restraint attached to a tie, as seen from the front of the tie;

FIG. 3 depicts a plan view of the tie restraint as viewed from the either the front or rear;

FIG. 4 depicts a side elevation of the tie restraint formed into a loop, with the shirt button attached, wherein the left and right views are mirror images;

FIG. 5 depicts a perspective view of the tie restraint formed into a loop;

FIG. 6 depicts a front view of the tie restraint formed into a loop;

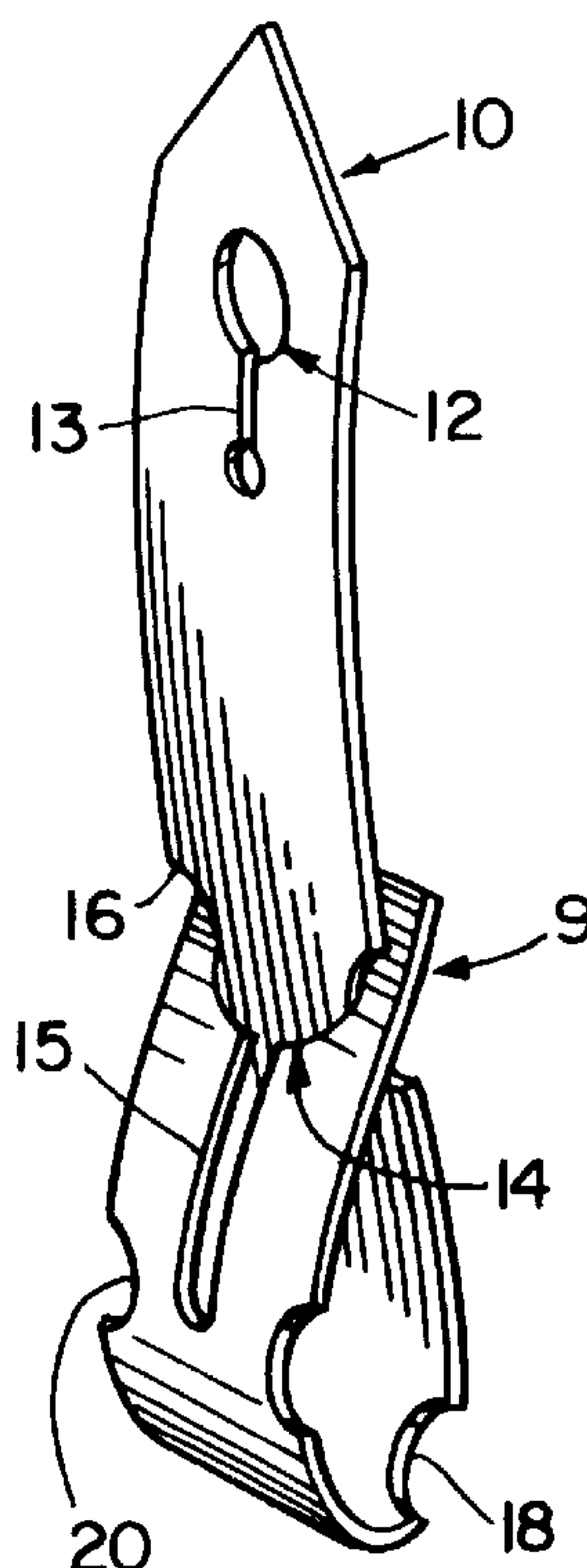
FIG. 7 depicts a rear view of the tie restraint formed into a loop;

FIG. 8 depicts a top view of the tie restraint formed into a loop; and,

FIG. 9 depicts a bottom view of the tie restraint formed into a loop.

The broken line showing of a tie in FIG. 1 and a tie and buttons in FIG. 2, is for illustrative purposes only and forms no part of the claimed design.

**1 Claim, 2 Drawing Sheets**



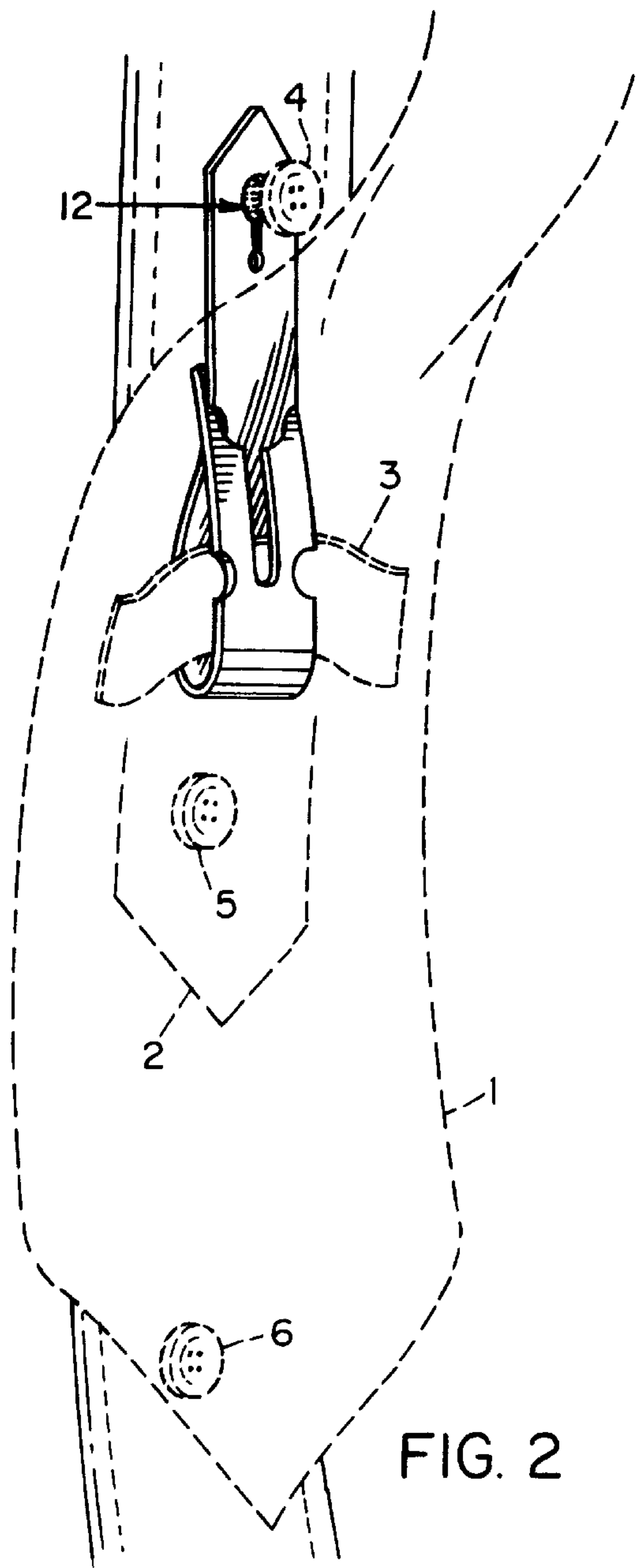
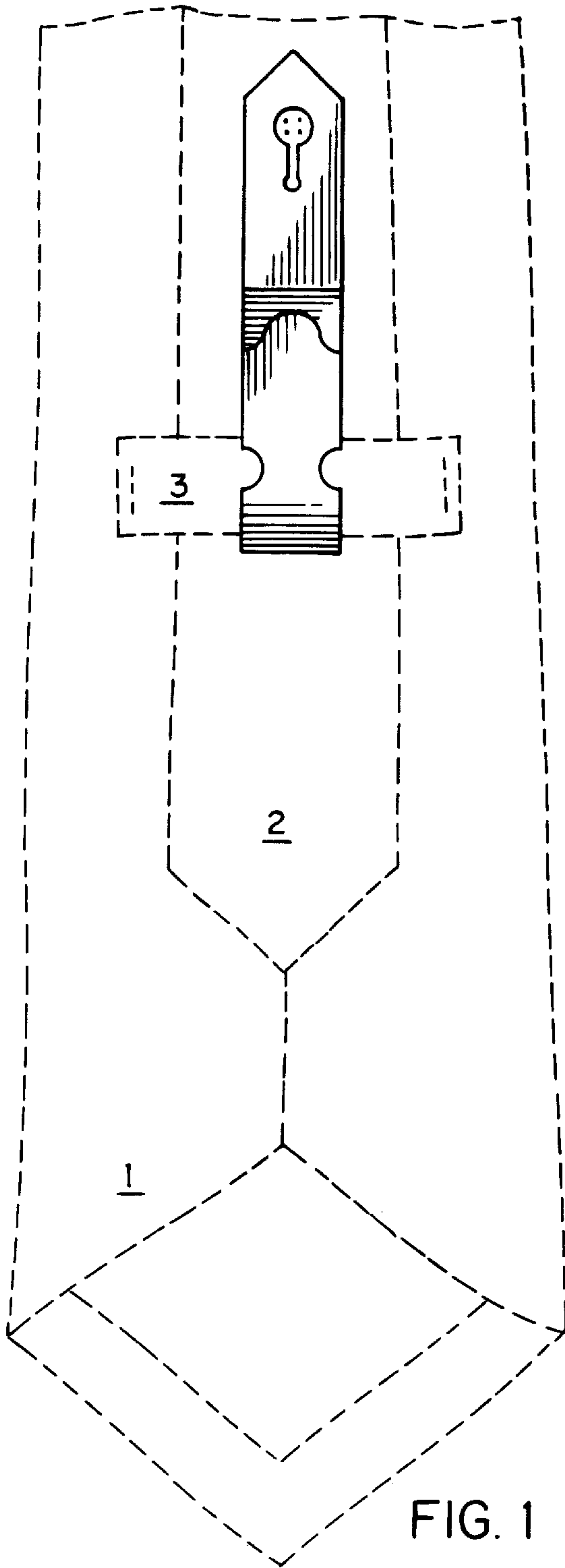


FIG. 1

FIG. 2

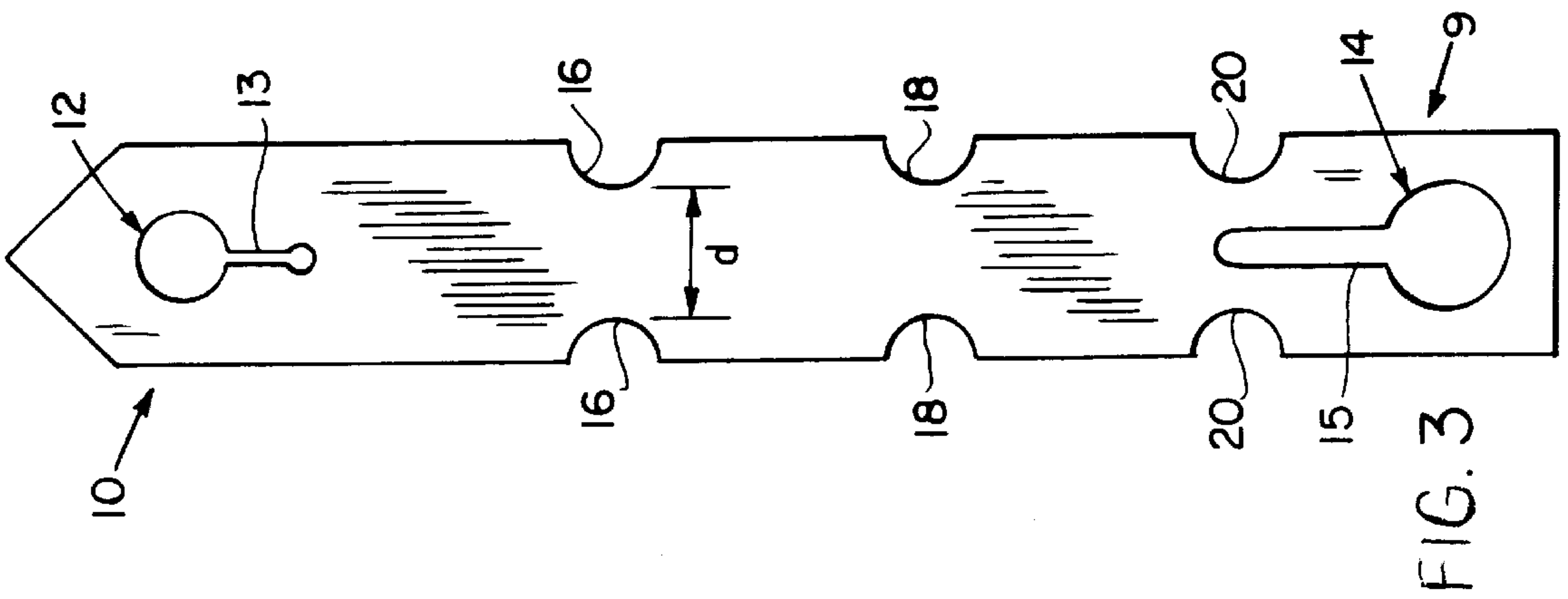


FIG. 3

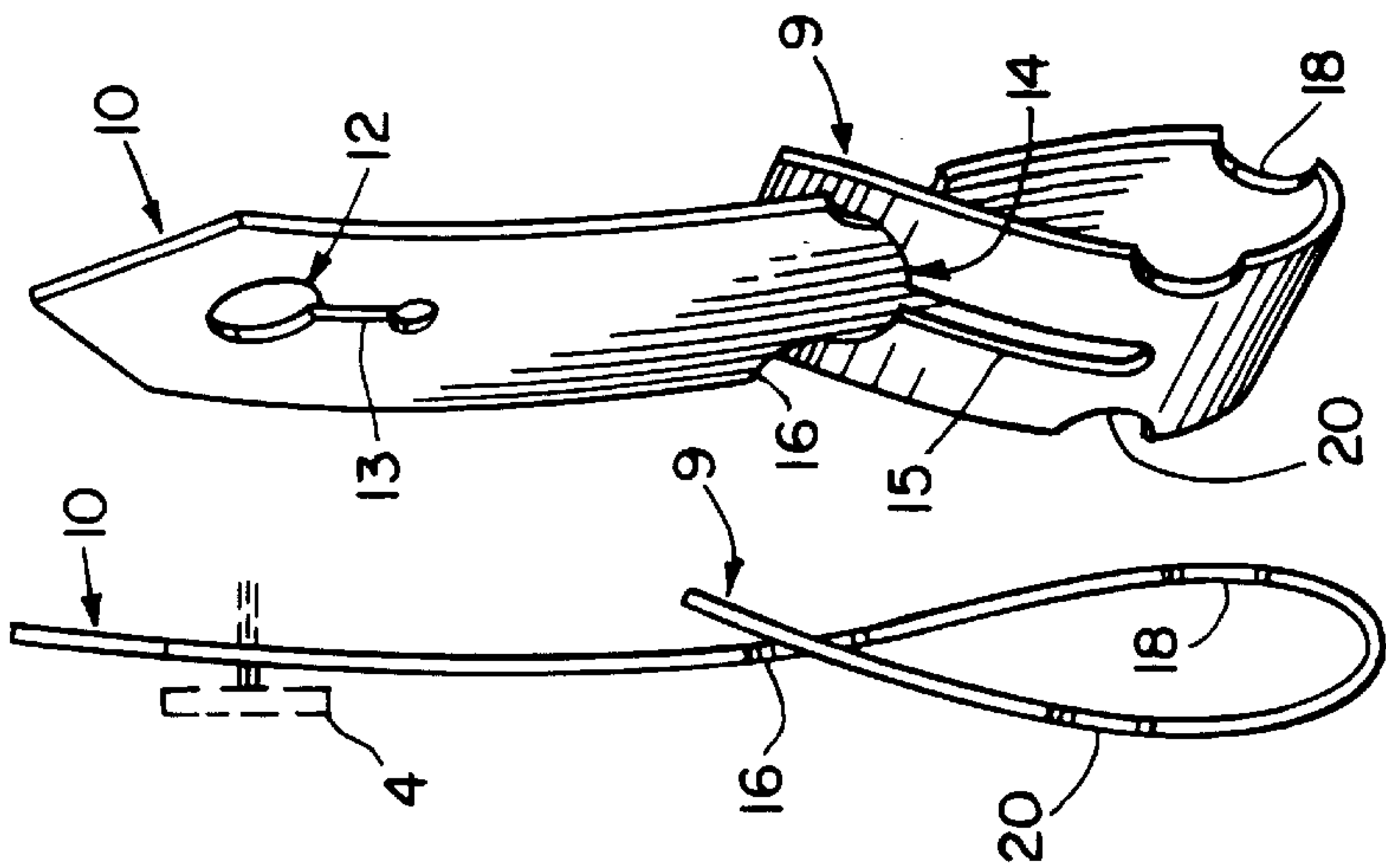


FIG. 4 FIG. 5

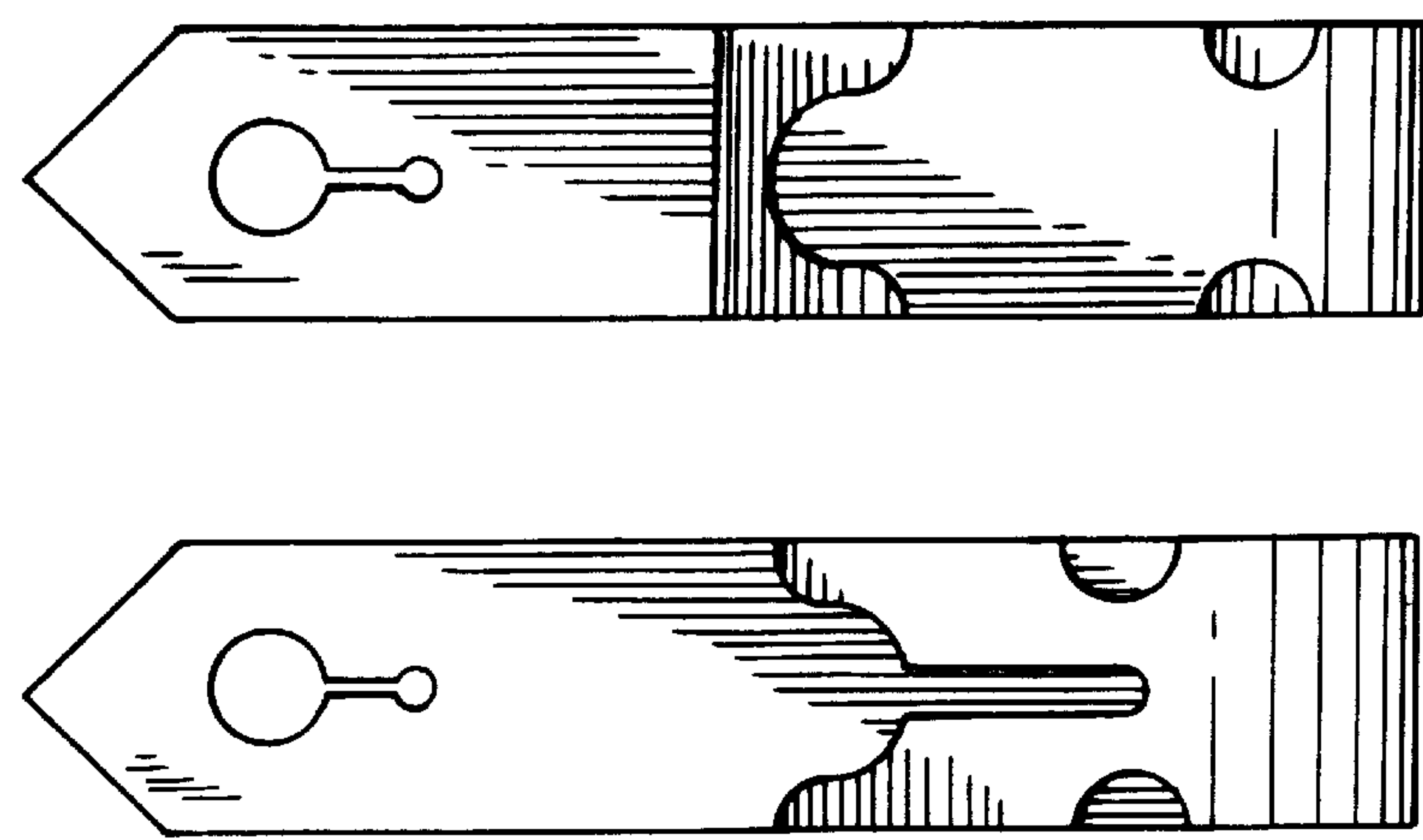


FIG. 6 FIG. 7

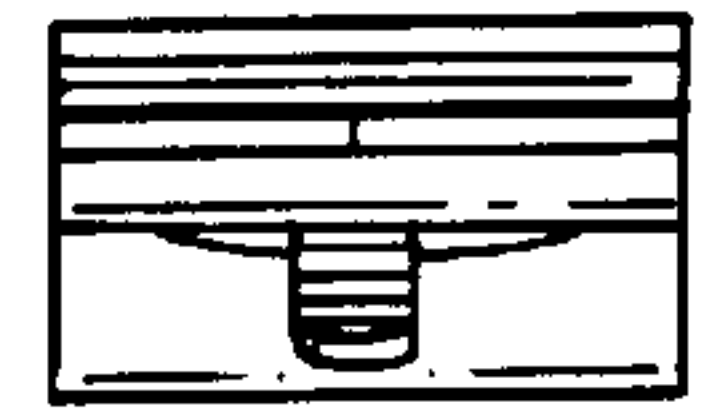


FIG. 8

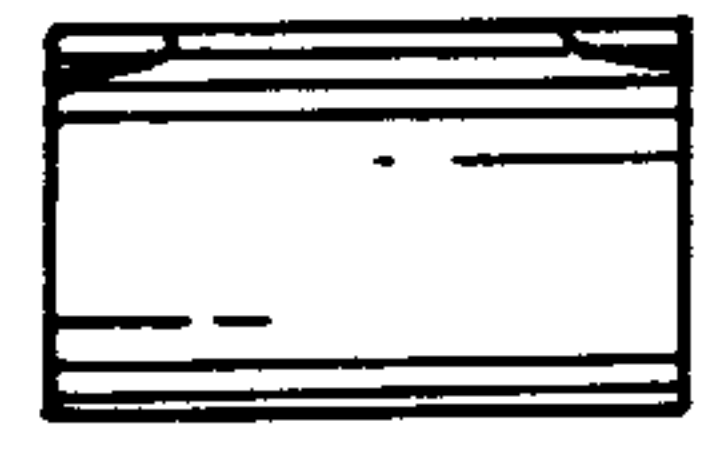


FIG. 9