



US00D399166S

United States Patent [19] Wright

[11] Patent Number: **Des. 399,166**

[45] Date of Patent: ****Oct. 6, 1998**

[54] **TREE STAND**

[75] Inventor: **James H. Wright**, Sausalito, Calif.

[73] Assignee: **Richmond Engineering**, Sausalito, Calif.

[**] Term: **14 Years**

[21] Appl. No.: **75,681**

[22] Filed: **Aug. 25, 1997**

[51] **LOC (6) Cl.** **11-05**

[52] **U.S. Cl.** **D11/130.1**

[58] **Field of Search** D11/130.1; 47/40.5

[56] **References Cited**

U.S. PATENT DOCUMENTS

D. 168,379	12/1952	Scanland	D11/130.1
D. 193,864	10/1962	Austenson	D11/130.1
D. 292,392	10/1987	Breen	D11/130.1
D. 374,195	10/1996	Wright et al.	D11/130.1
1,481,015	1/1924	Klein	47/40.5 X
1,943,269	1/1934	Holden	47/40.5 X
2,522,156	9/1950	Balmer	47/40.5
2,821,353	1/1958	Hasenohrl	47/40.5 X
3,697,026	10/1972	Hambnrick	47/40.5 X

Primary Examiner—Dominic Simone
Attorney, Agent, or Firm—Harris Zimmerman

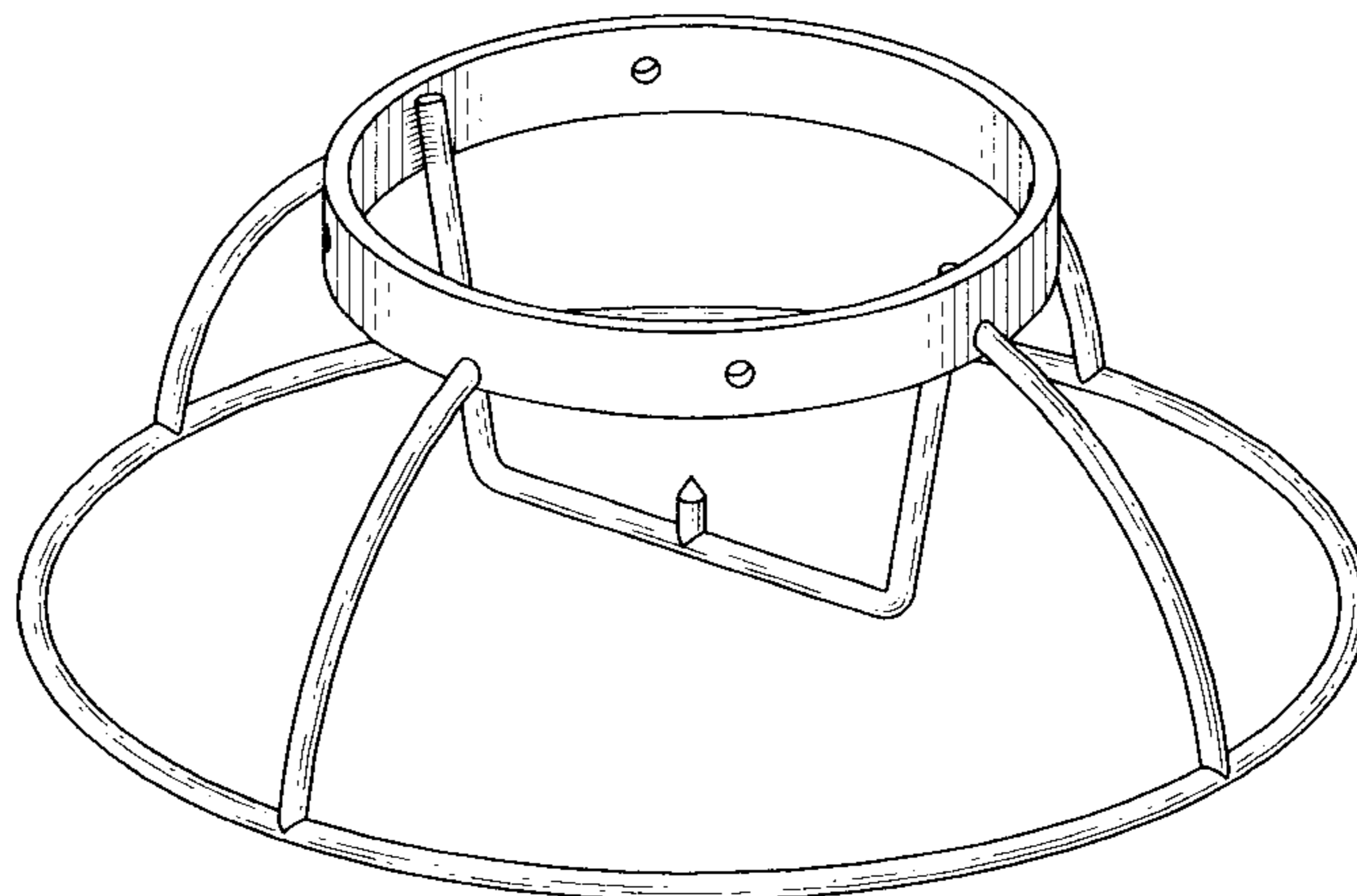
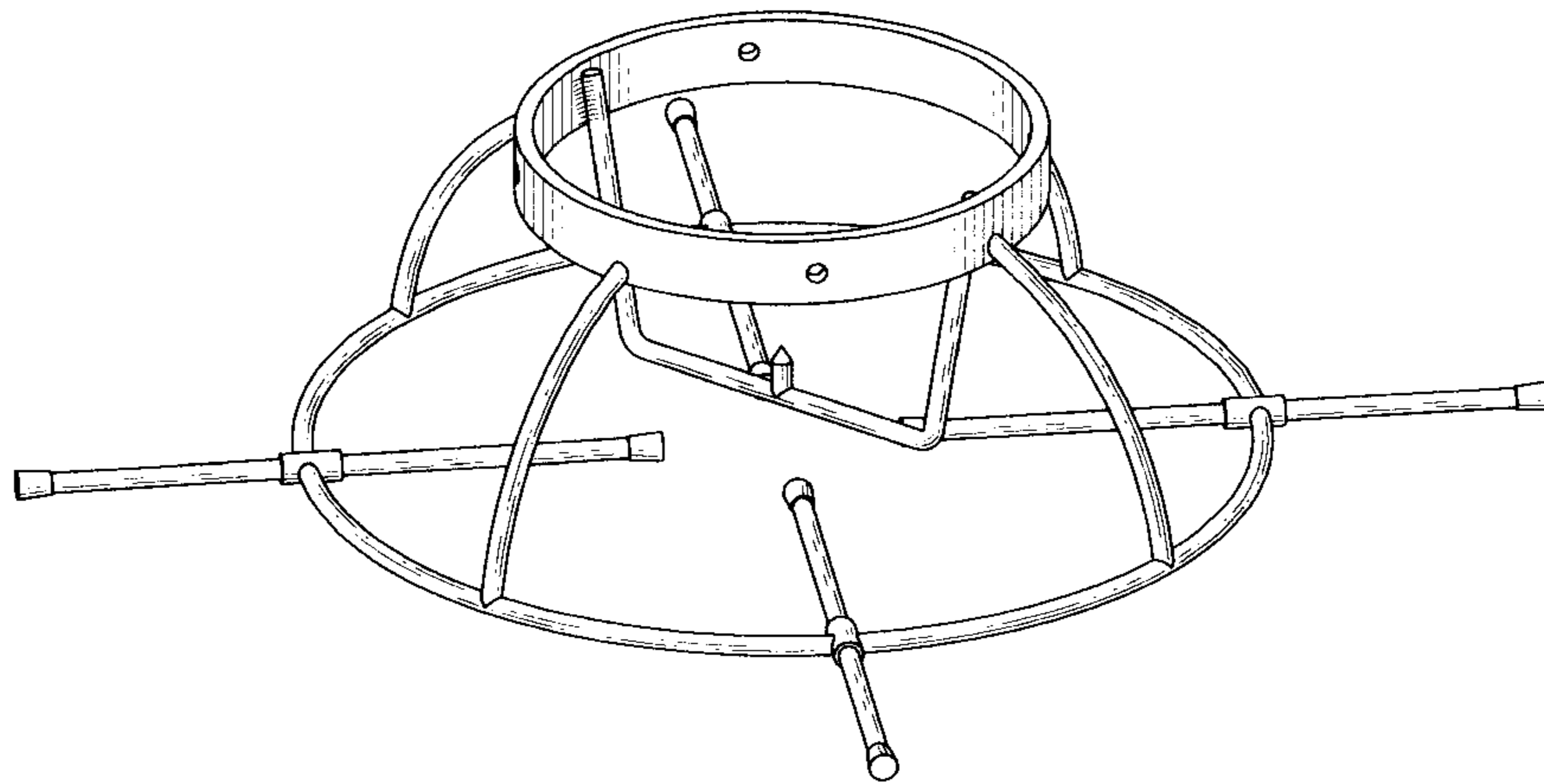
[57] **CLAIM**

The ornamental design for a tree stand, as shown and described.

DESCRIPTION

FIG. 1 is a perspective view of a tree stand showing my new design;
 FIG. 2 is a top plan view;
 FIG. 3 is a front elevational view;
 FIG. 4 is a right side view, the left side view being a mirror image thereof;
 FIG. 5 is a view taken in the plane indicated by line 5—5 of FIG. 2;
 FIG. 6 is a bottom plan view;
 FIG. 7 is a perspective view of a second embodiment of the invention;
 FIG. 8 is a bottom plan view thereof;
 FIG. 9 is a front elevational view;
 FIG. 10 is a right side view, the left side view being a mirror image thereof;
 FIG. 11 is a view taken along line 11—11 of FIG. 8; and,
 FIG. 12 is a bottom plan view.

1 Claim, 4 Drawing Sheets



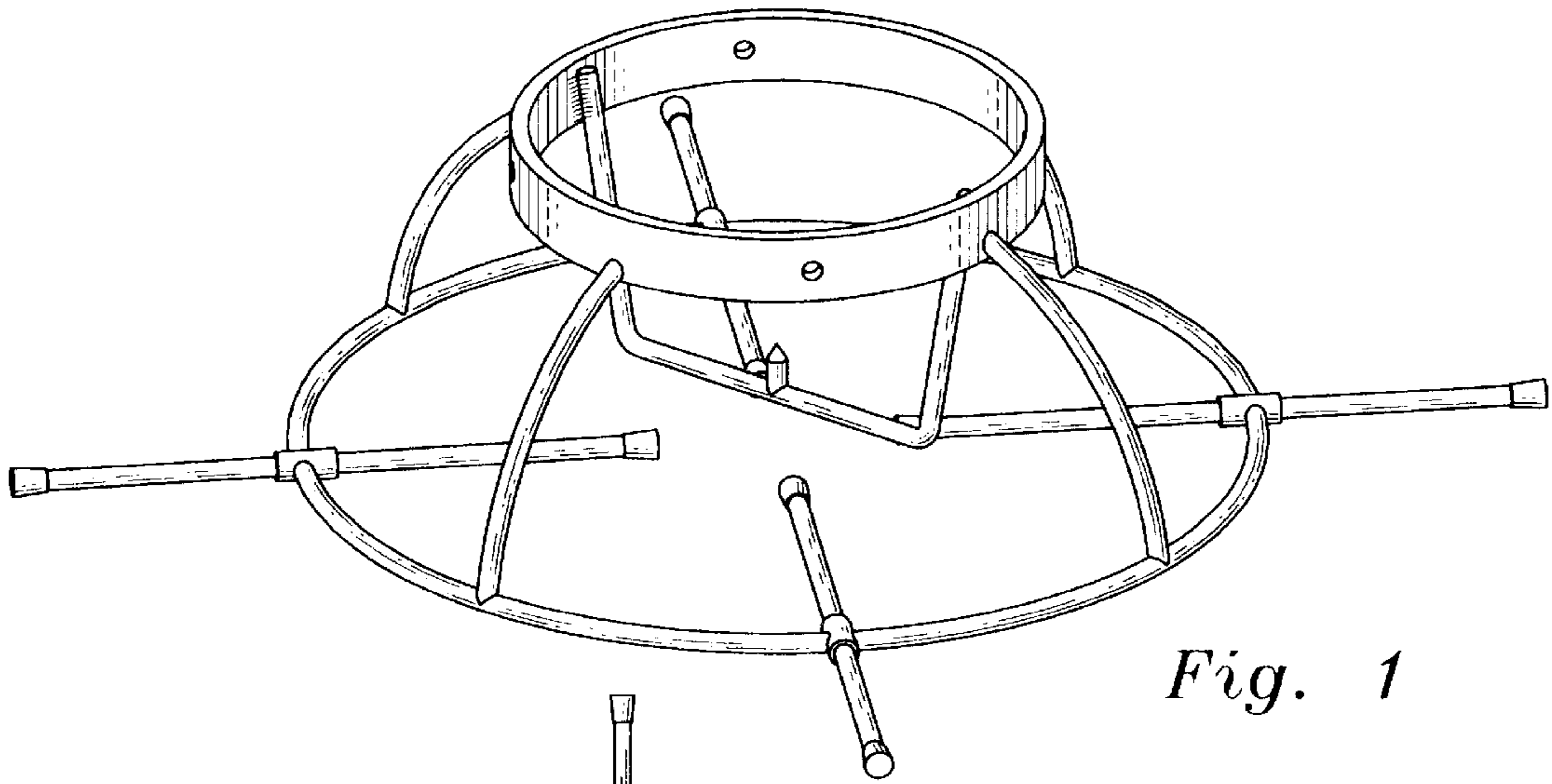


Fig. 1

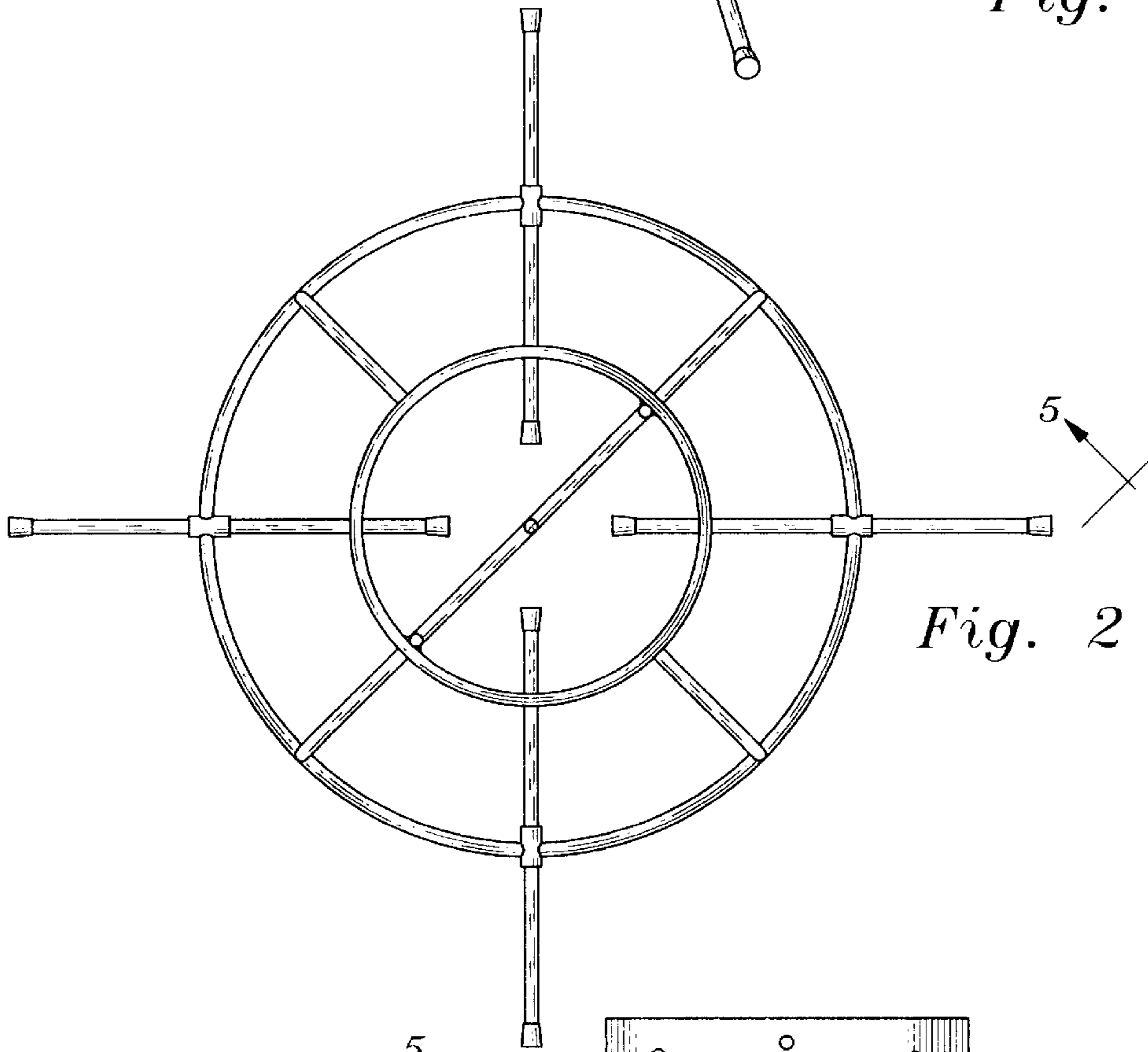


Fig. 2

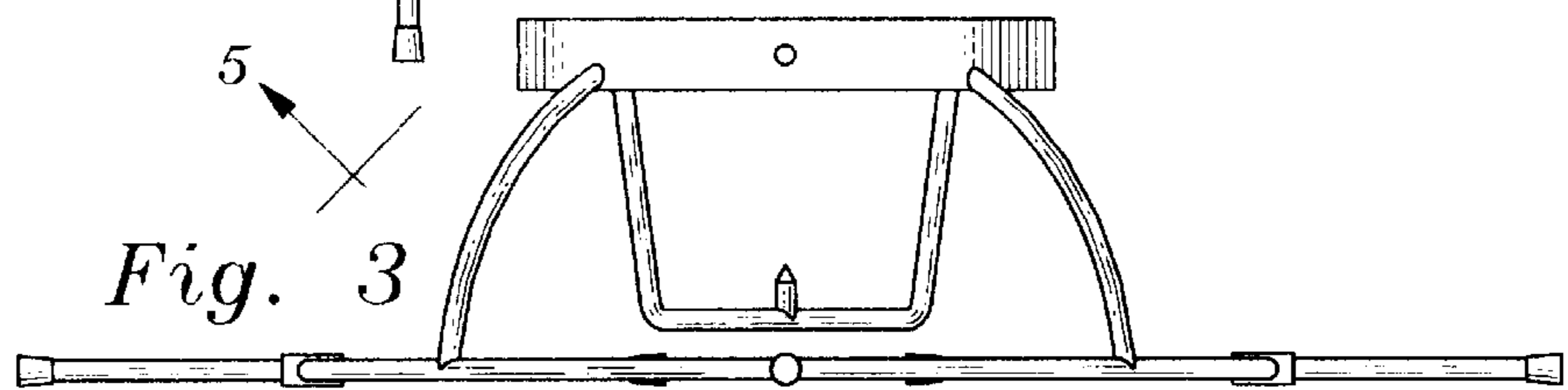


Fig. 3

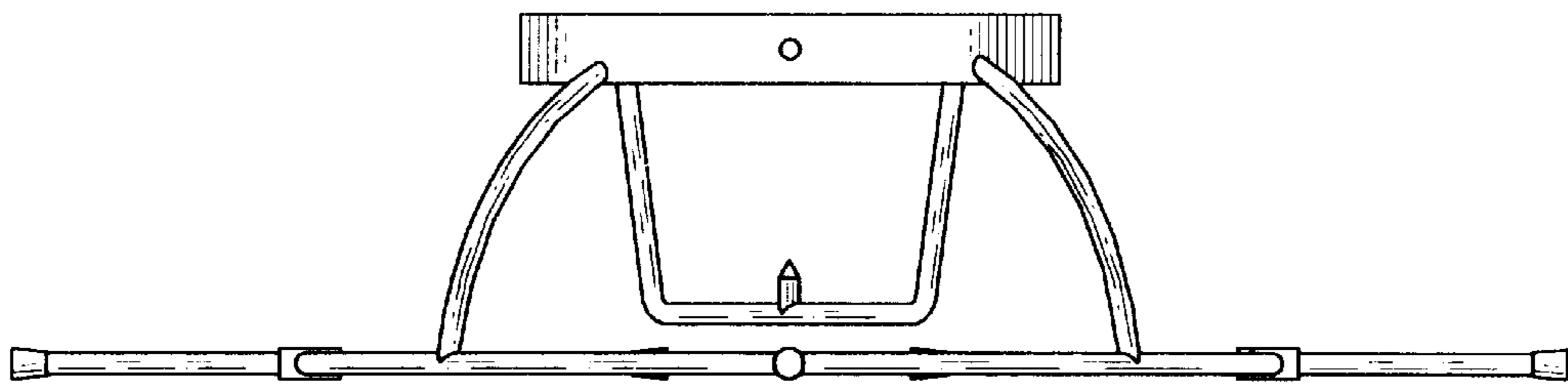


Fig. 4

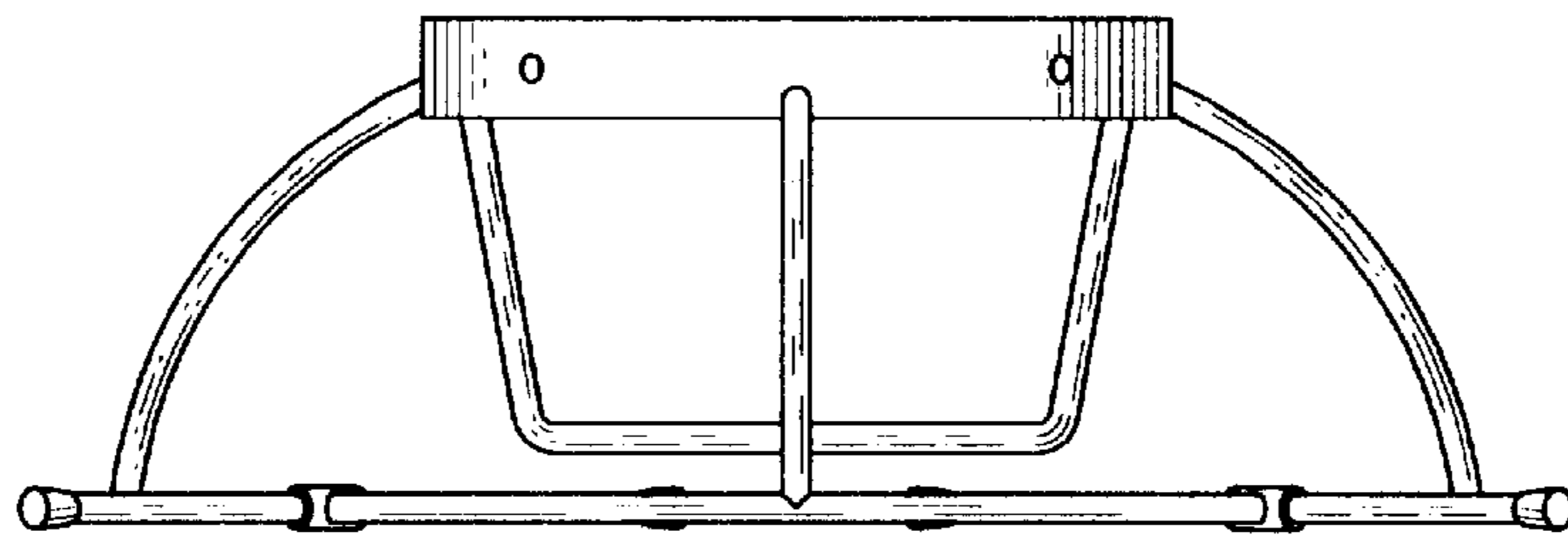


Fig. 5

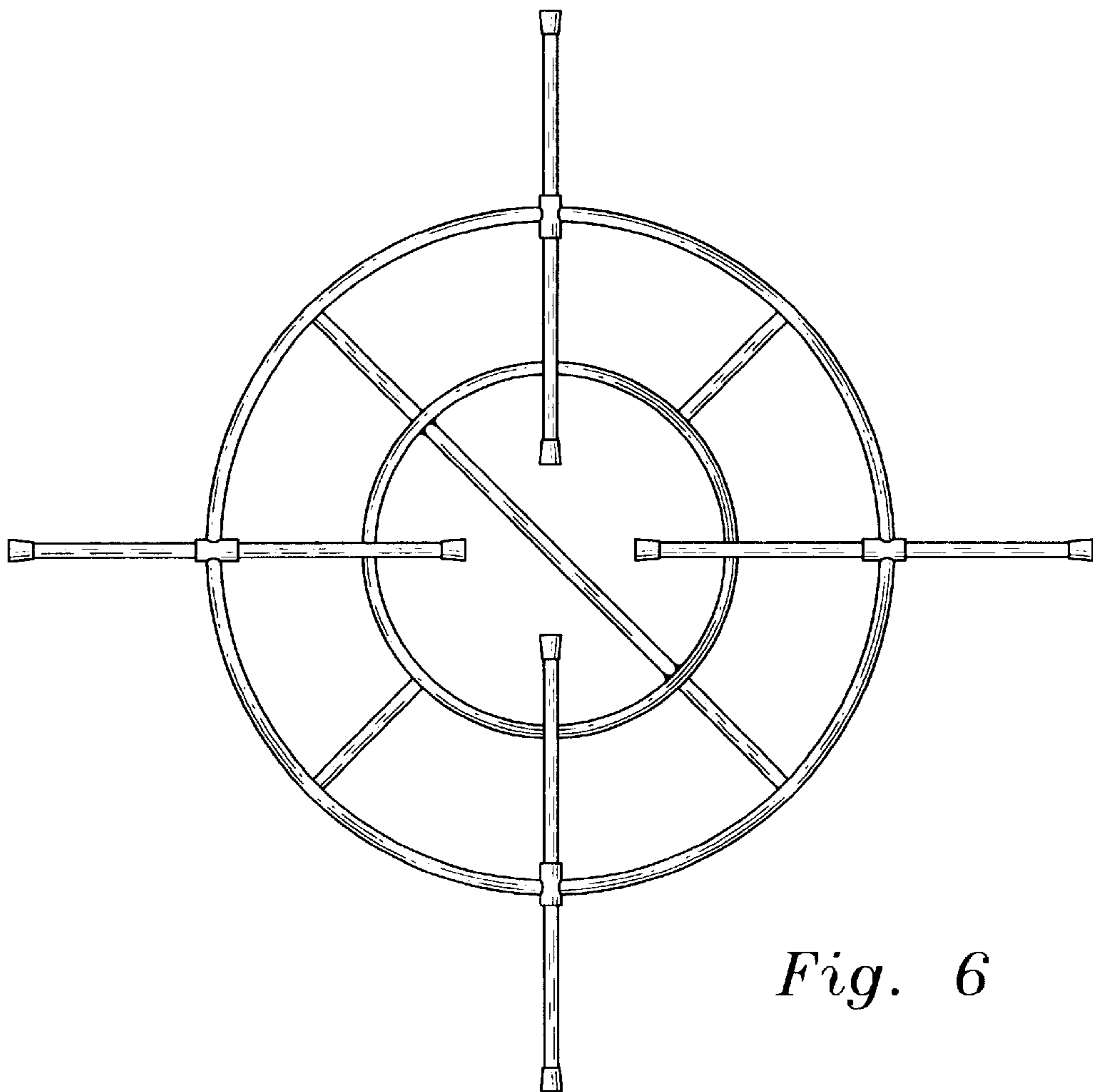


Fig. 6

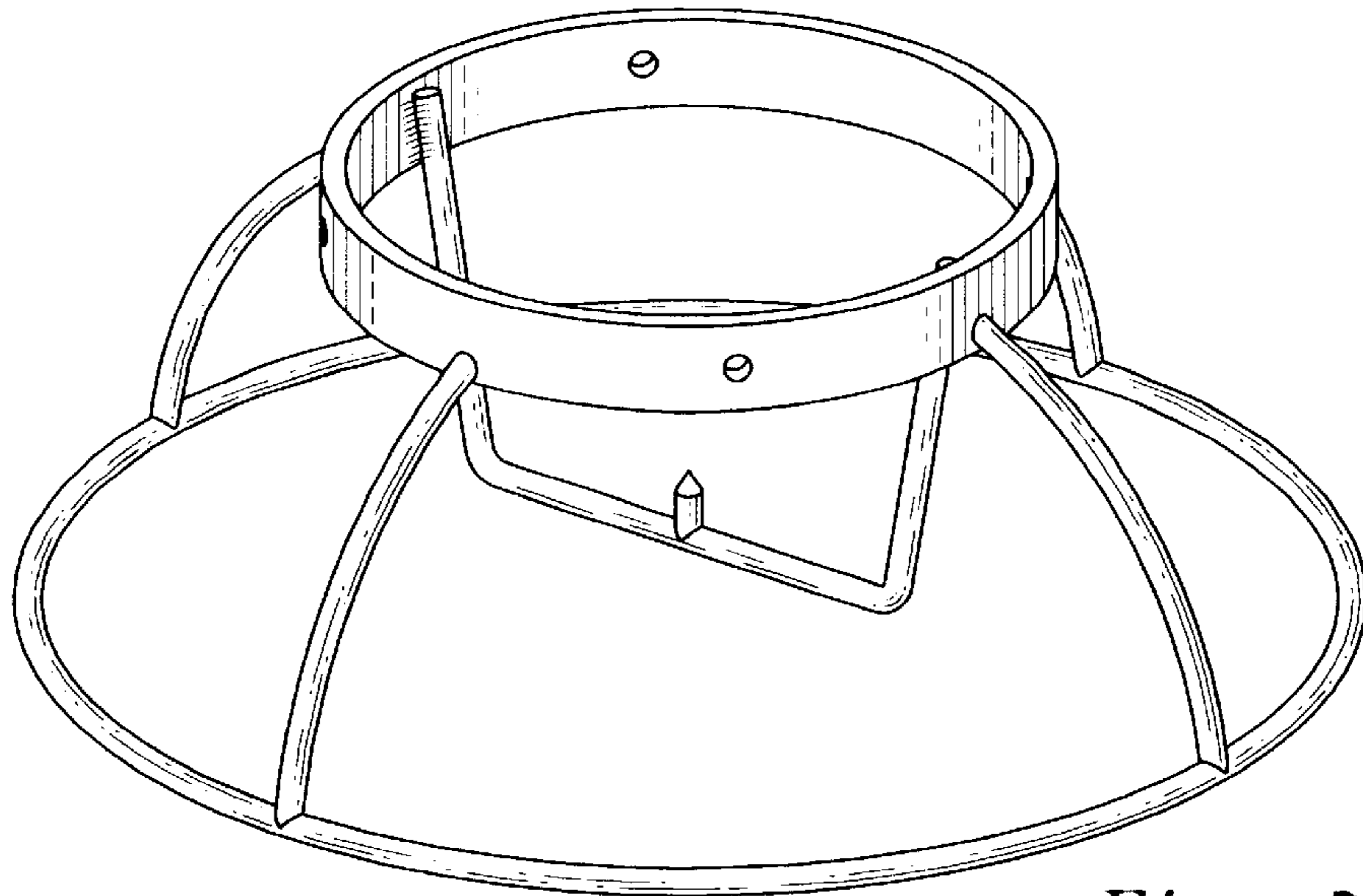


Fig. 7

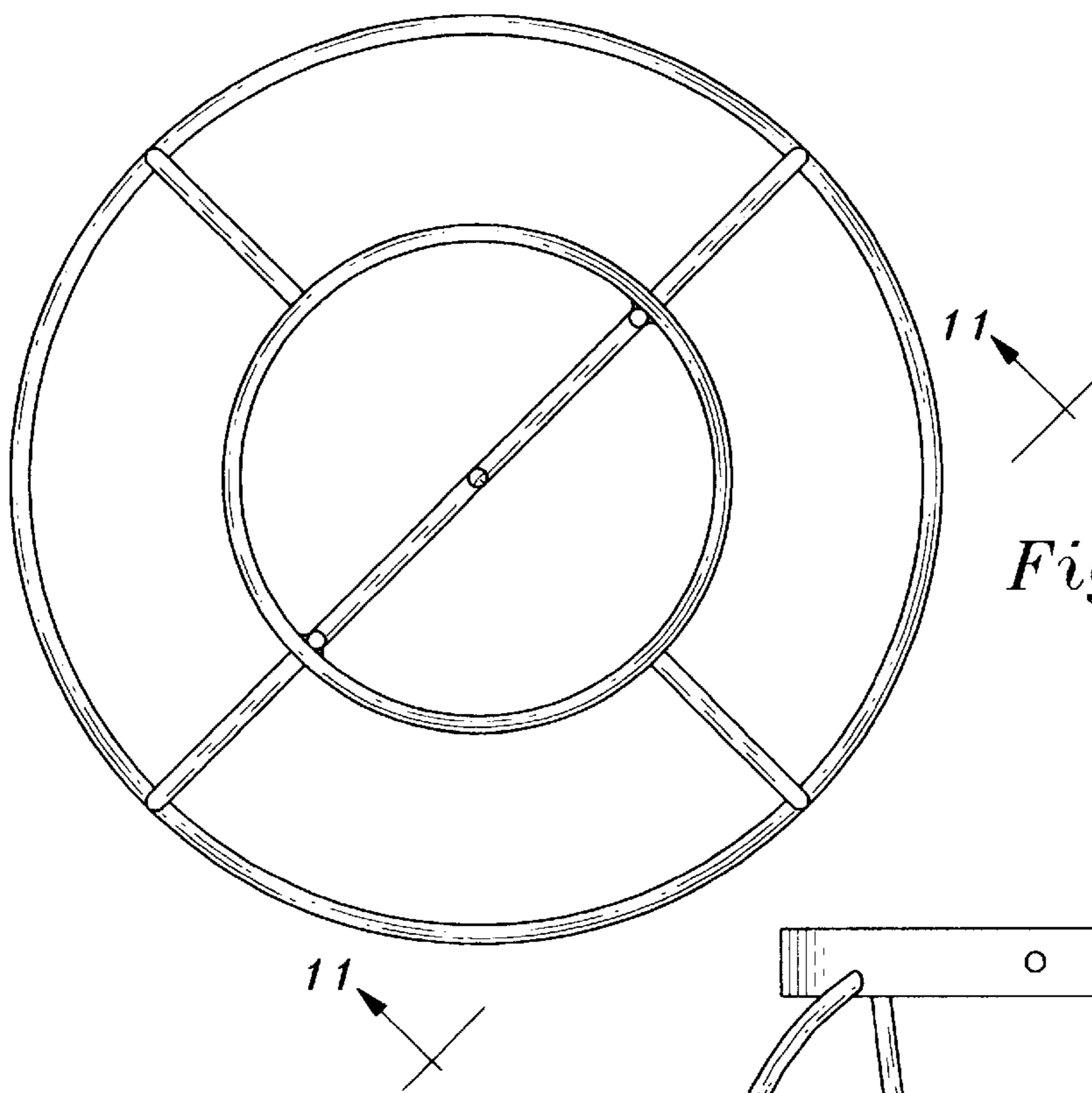


Fig. 8

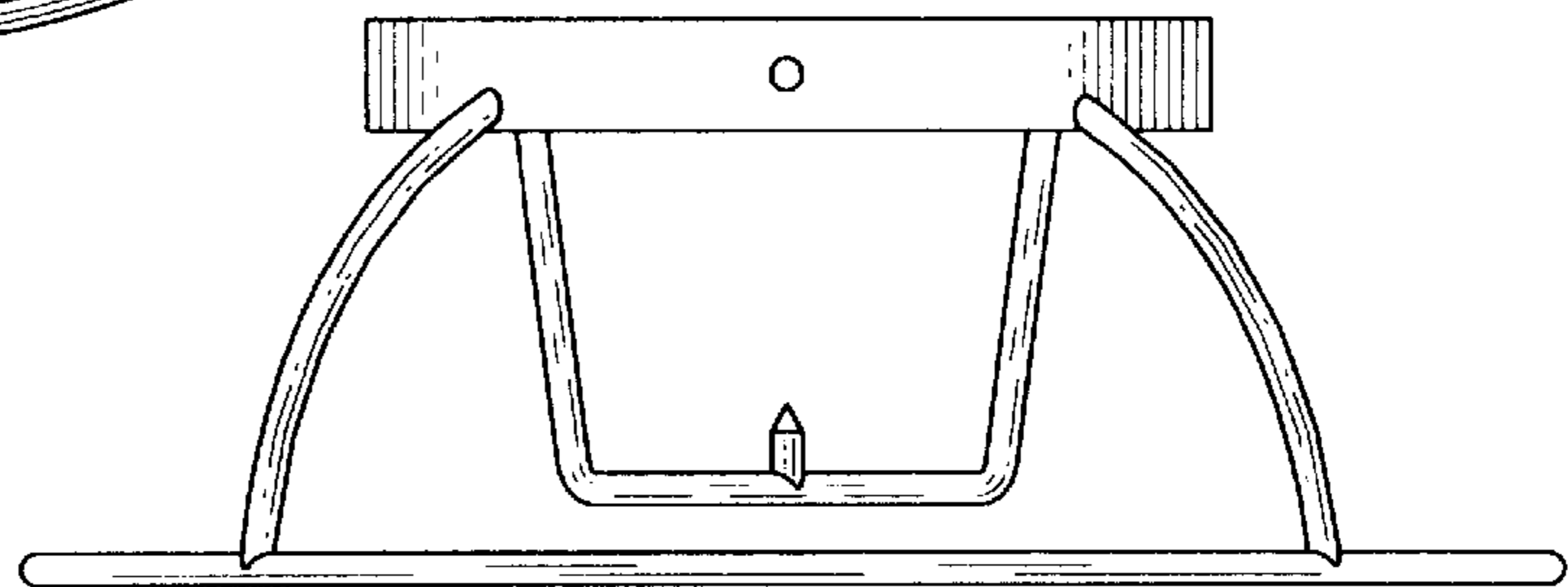


Fig. 9

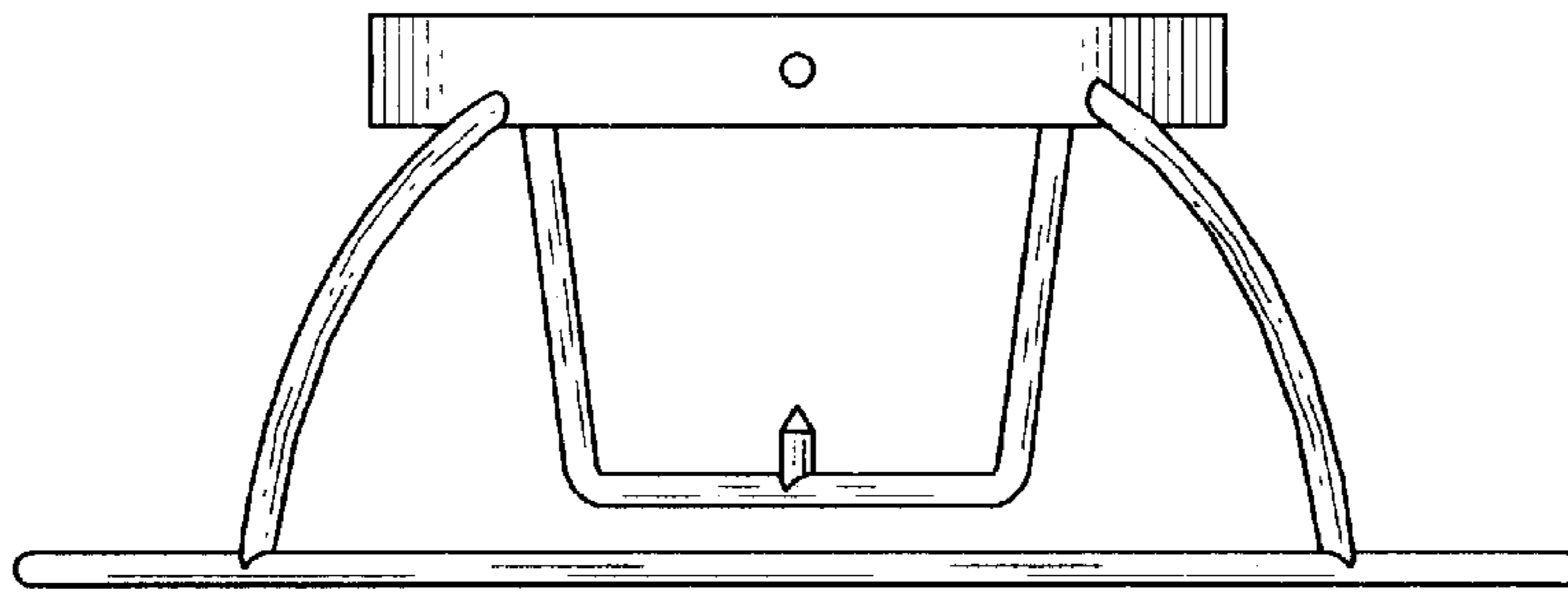


Fig. 10

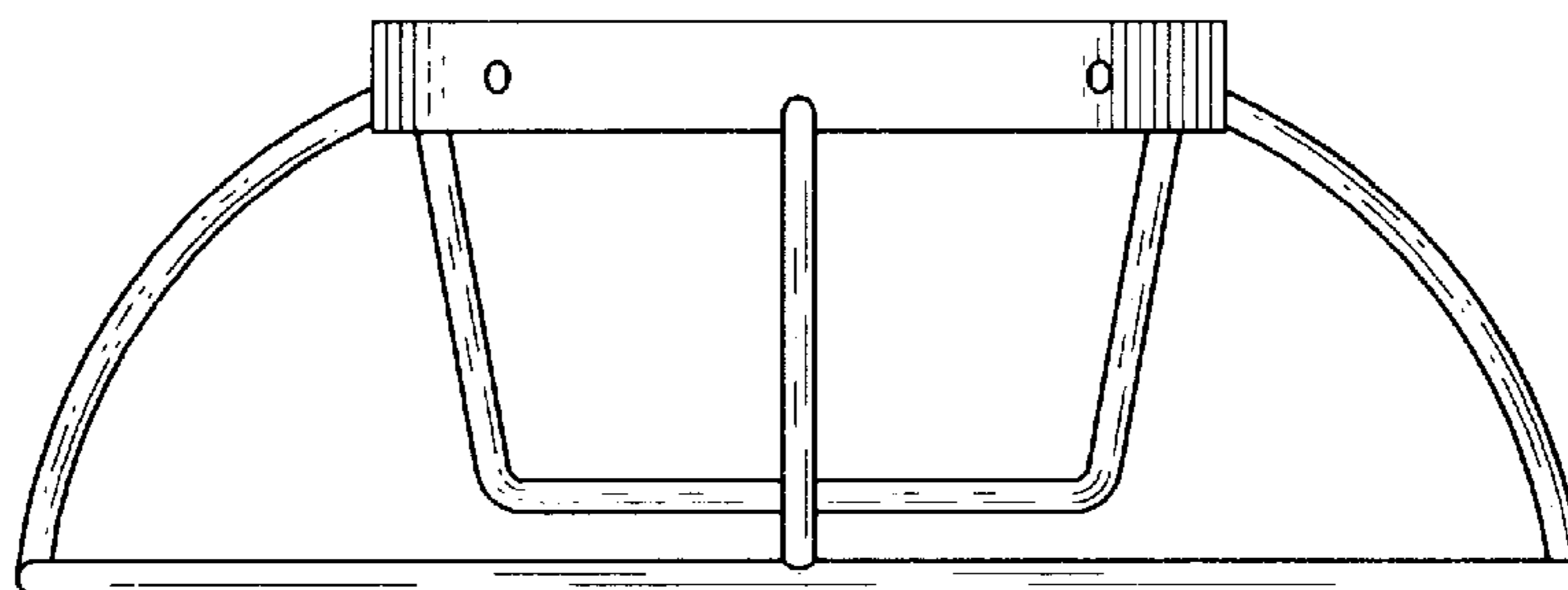


Fig. 11

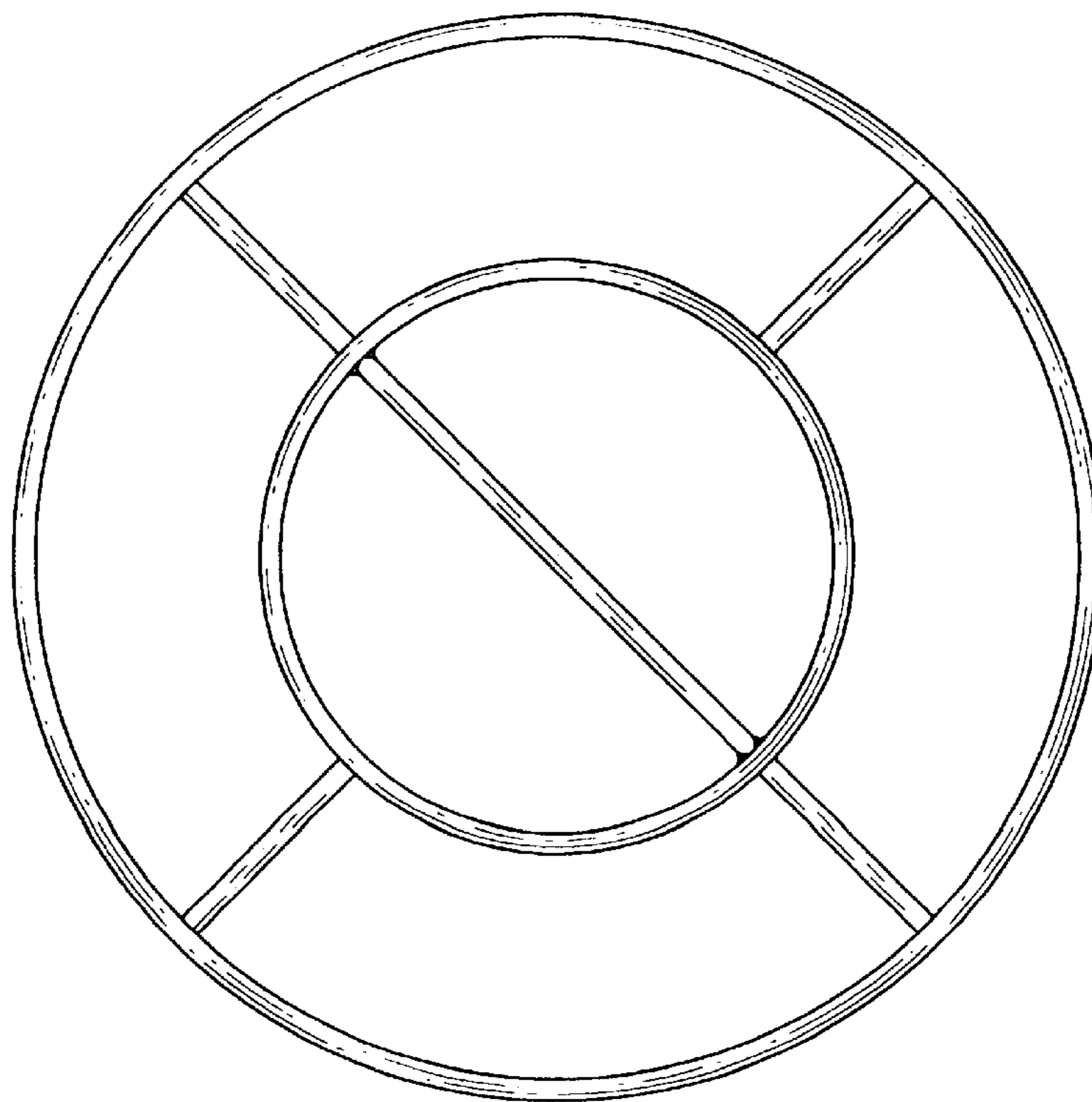


Fig. 12