



US00D399163S

United States Patent [19]
Pandel

[11] **Patent Number:** **Des. 399,163**
[45] **Date of Patent:** ****Oct. 6, 1998**

[54] **WATCH BRACELET**

D. 325,883 5/1992 St. Dizier D11/21
D. 341,102 11/1993 Wunderman D11/3
D. 388,833 12/1997 Baumann D10/32

[75] Inventor: **Christiane Pandel**, Chambesy,
Switzerland

[73] Assignee: **Rolex Watch U.S.A., Inc.**, New York,
N.Y.

Primary Examiner—Ralf Seifert
Attorney, Agent, or Firm—Kane, Dalsimer, Sullivan,
Kurucz, Levy, Eisele and Richard, LLP

[**] Term: **14 Years**

[57] **CLAIM**

[21] Appl. No.: **78,362**

The ornamental design for watch bracelet, as shown and described.

[22] Filed: **Oct. 24, 1997**

DESCRIPTION

[51] **LOC (6) Cl.** **11-01**

FIG. 1 is a perspective view of a watch bracelet incorporating my new design;

[52] **U.S. Cl.** **D11/25**

FIG. 2 is a top plan view thereof;

[58] **Field of Search** D11/1-25, 93,

FIG. 3 is a bottom plan view thereof;

D11/94; 63/1.1, 2, 3, 4, 5.1, 7, 9, 10, 11;

FIG. 4 is a side view thereof;

D10/30-34; 224/175

FIG. 5 is an opposite side view thereof;

[56] **References Cited**

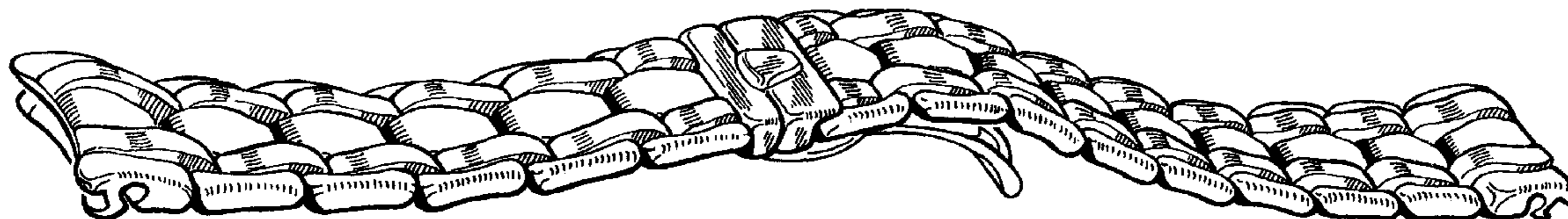
FIG. 6 is a right end view thereof; and,

U.S. PATENT DOCUMENTS

FIG. 7 is a left end view thereof.

D. 292,302 10/1987 Schoepfer D11/3

1 Claim, 2 Drawing Sheets



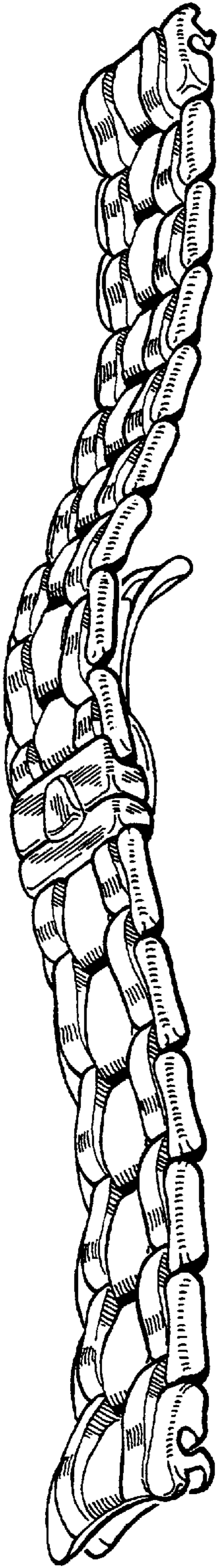


FIG. 1

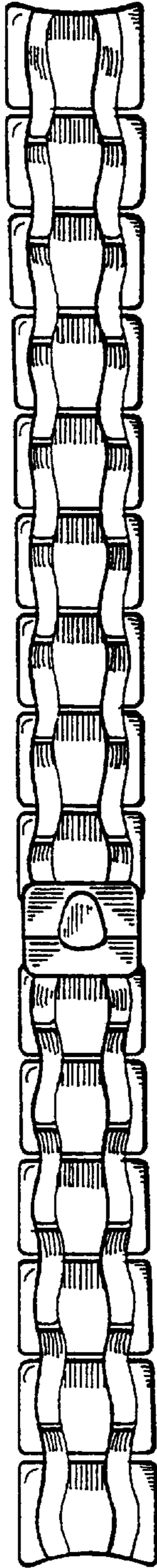


FIG. 2

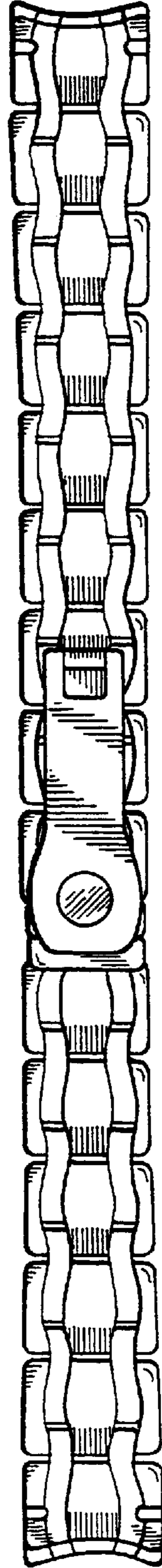


FIG. 3

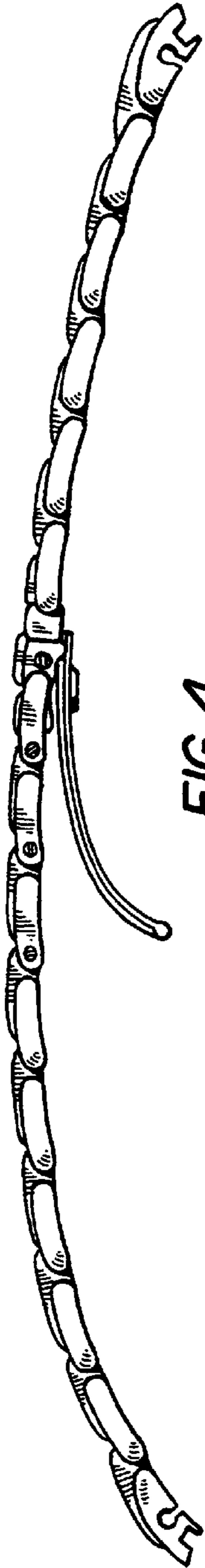


FIG. 4

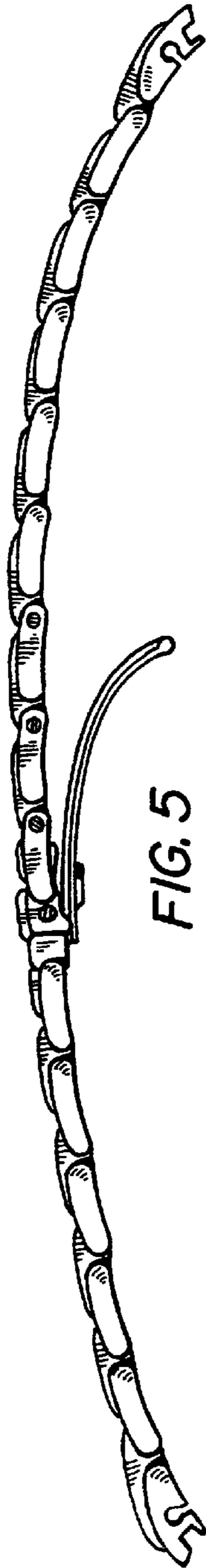


FIG. 5

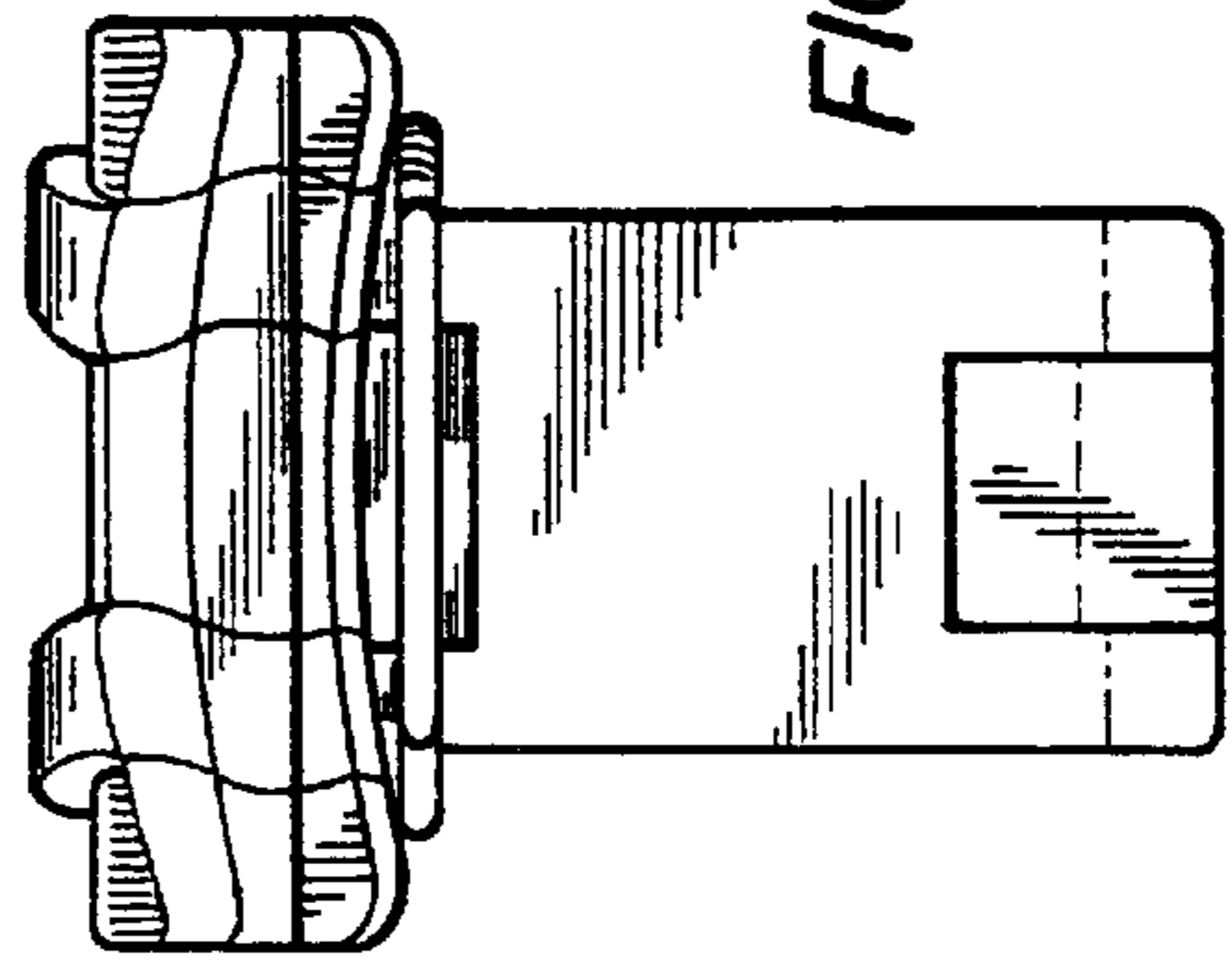


FIG. 6

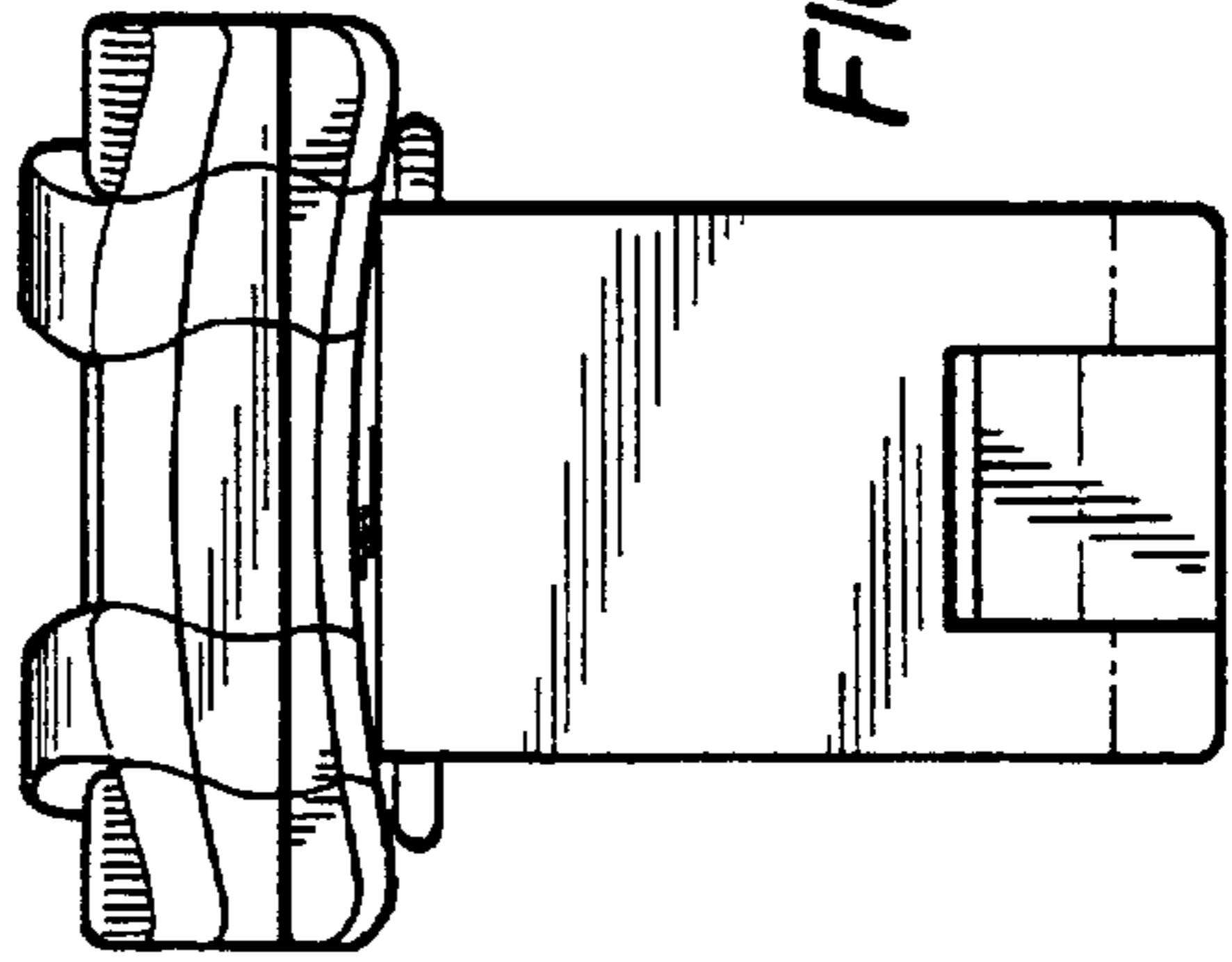


FIG. 7