



US00D399162S

**United States Patent** [19]  
**Pandel**

[11] **Patent Number:** **Des. 399,162**  
[45] **Date of Patent:** **\*\*Oct. 6, 1998**

[54] **WATCH BRACELET**

D. 356,976 4/1995 Wyss ..... D11/25  
D. 376,545 12/1996 Bulgari ..... D10/32  
D. 386,709 11/1997 Pandel ..... D11/3

[75] Inventor: **Christiane Pandel**, Chambesy,  
Switzerland

[73] Assignee: **Rolex Watch U.S.A., Inc.**, New York,  
N.Y.

*Primary Examiner*—Ralf Seifert  
*Attorney, Agent, or Firm*—Kane, Dalsimer, Sullivan,  
Kurucz, Levy, Eisele and Richard, LLP

[\*\*] Term: **14 Years**

[57] **CLAIM**

[21] Appl. No.: **78,359**

The ornamental design for watch bracelet, as shown and described.

[22] Filed: **Oct. 24, 1997**

**DESCRIPTION**

[51] **LOC (6) Cl.** ..... **11-01**

FIG. 1 is a perspective view of a watch bracelet incorporating my new design;

[52] **U.S. Cl.** ..... **D11/16**

FIG. 2 is a top plan view thereof;

[58] **Field of Search** ..... D11/1-25; 63/1.1,  
63/2, 3, 4, 5.1, 7, 9, 10; D10/30-34; 224/175;  
57/78

FIG. 3 is a bottom plan view thereof;

FIG. 4 is a side view thereof;

FIG. 5 is an opposite side view thereof;

FIG. 6 is a right end view thereof; and,

FIG. 7 is a left end view thereof.

[56] **References Cited**

**U.S. PATENT DOCUMENTS**

D. 351,568 10/1994 Pandel ..... D11/16

**1 Claim, 2 Drawing Sheets**





FIG. 1

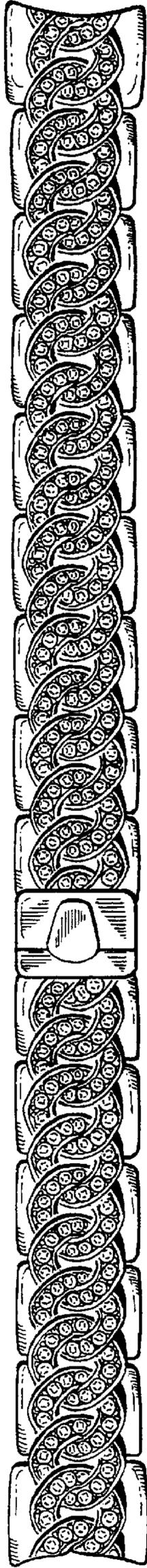


FIG. 2

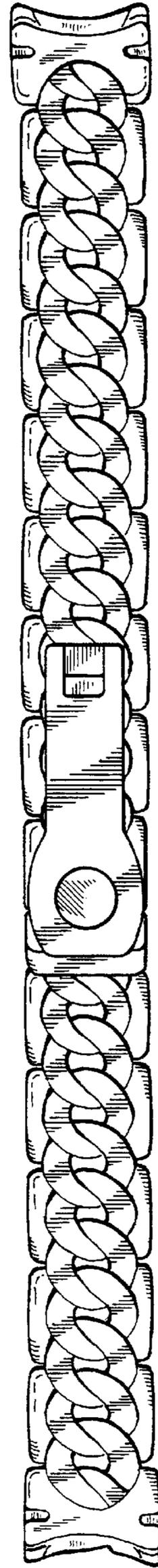


FIG. 3

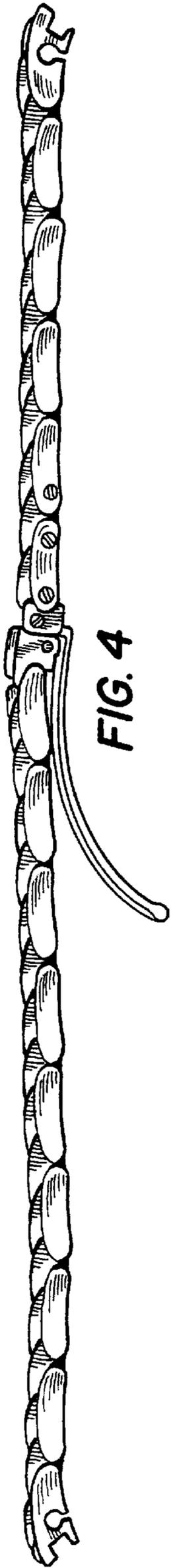


FIG. 4

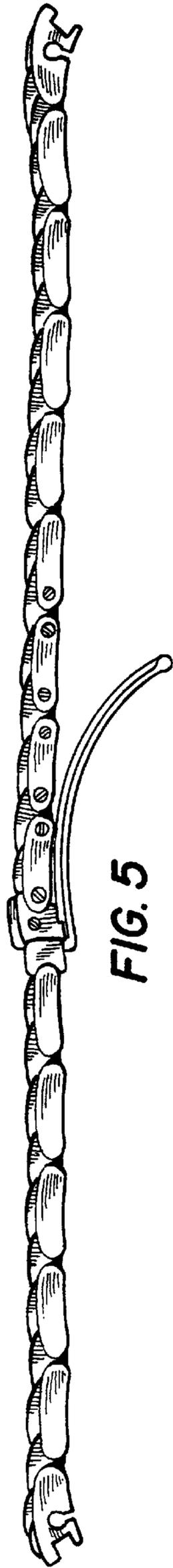


FIG. 5

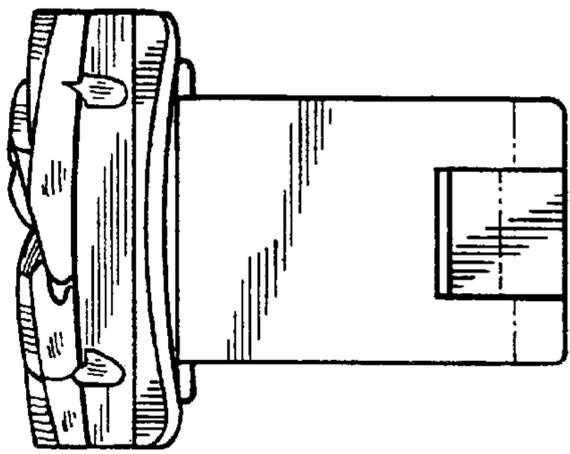


FIG. 7

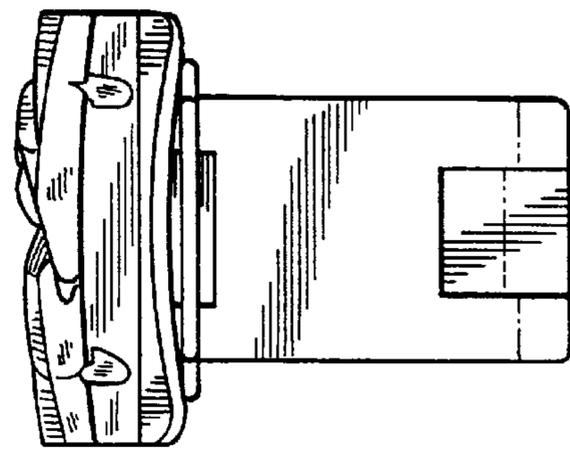


FIG. 6