



US00D399160S

**United States Patent** [19]  
**Pandel**

[11] **Patent Number: Des. 399,160**  
[45] **Date of Patent: \*\*Oct. 6, 1998**

[54] **WATCH INDEX MARK MOUNTING (TEAR DROP)**

[75] Inventor: **Christiane Pandel**, Chambesy, Switzerland

[73] Assignee: **Rolex Watch U.S.A., Inc.**, New York, N.Y.

[\*\*] Term: **14 Years**

[21] Appl. No.: **75,982**

[22] Filed: **Aug. 27, 1997**

[30] **Foreign Application Priority Data**

Apr. 7, 1997 [CH] Switzerland ..... 124 060

[51] **LOC (6) Cl.** ..... **10-01**

[52] **U.S. Cl.** ..... **D10/128; D11/90**

[58] **Field of Search** ..... D10/1-39, 122-132; 368/223, 227, 225, 233, 238; D11/89-90

[56] **References Cited**

**U.S. PATENT DOCUMENTS**

D. 58,323 7/1921 Heller ..... D11/89 X

D. 58,324 7/1921 Heller ..... D11/89 X  
D. 147,603 9/1947 Stern ..... D10/30 X  
D. 147,604 9/1947 Stern ..... D10/30 X  
D. 178,091 6/1956 Sparks ..... D10/39  
D. 276,143 10/1984 Williams ..... D11/90 X  
D. 324,003 2/1992 Bananes ..... D11/90

*Primary Examiner*—Nelson C. Holtje  
*Attorney, Agent, or Firm*—Kane, Dalsimer, Sullivan, Kurucz, Levy, Eisele and Richard, LLP

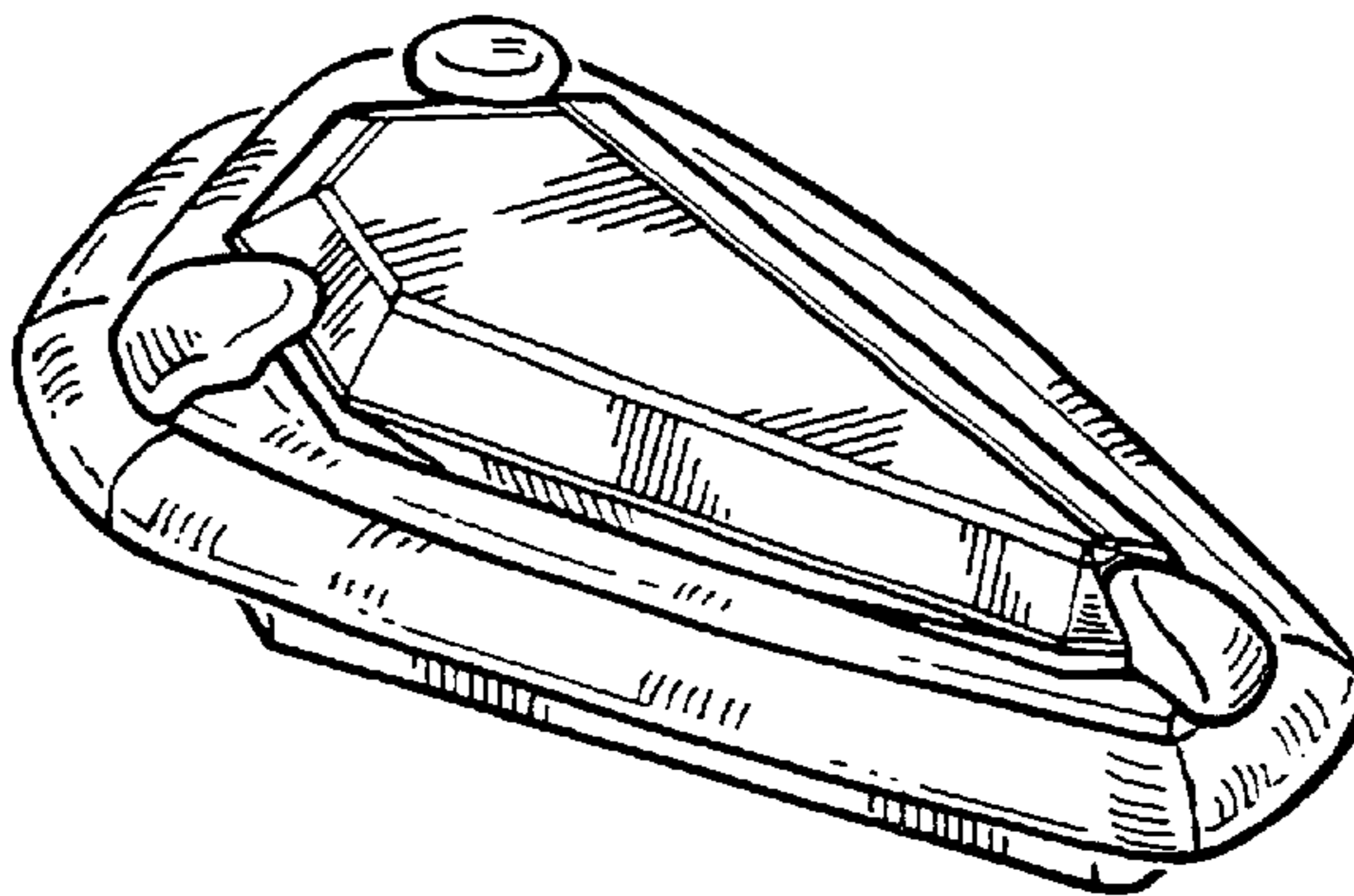
[57] **CLAIM**

The ornamental design for watch index mark mounting (tear drop), as shown and described.

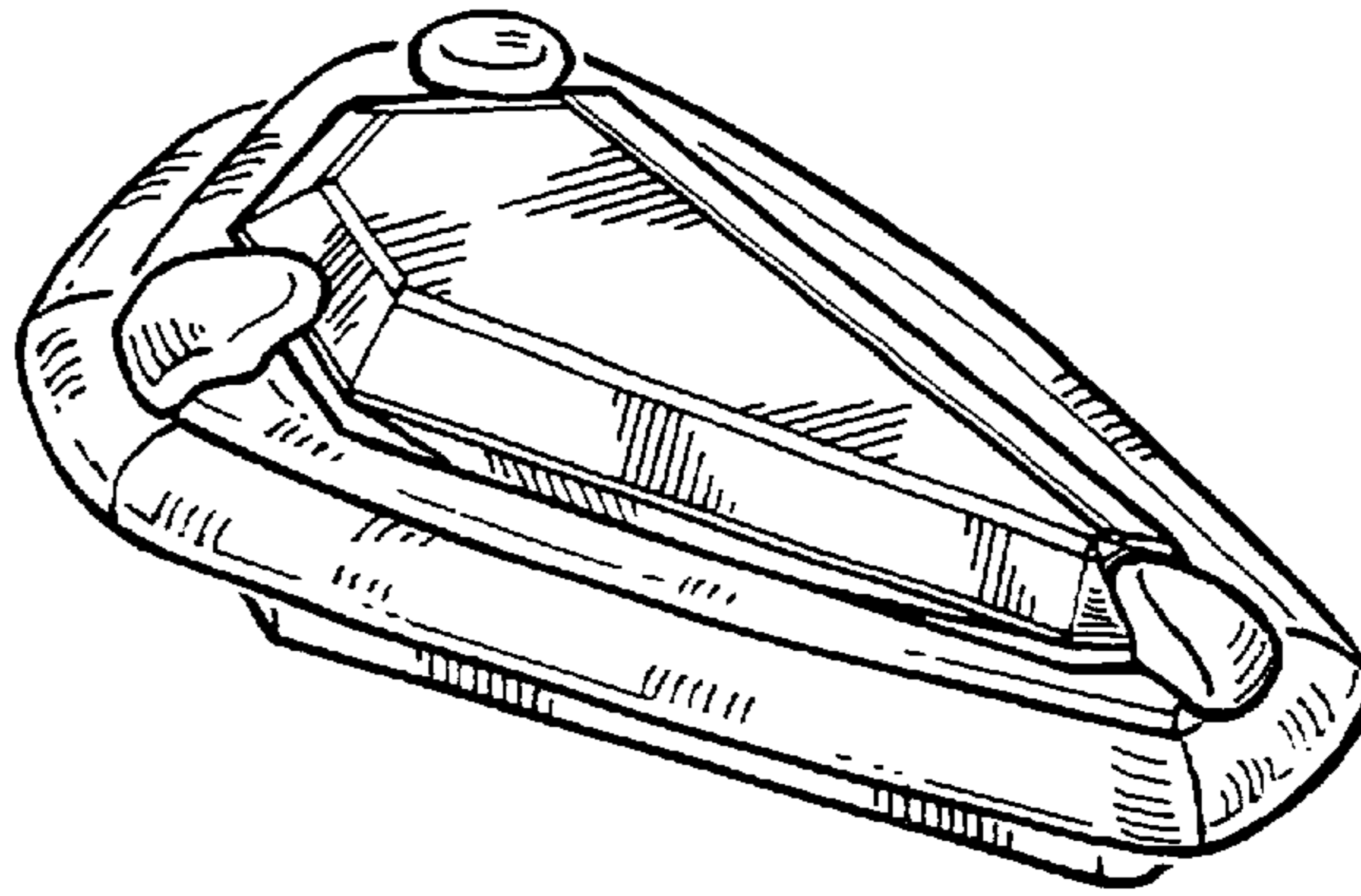
**DESCRIPTION**

FIG. 1 is a top perspective view depicting the watch index mounting design of the present invention; FIG. 2 is a top perspective view thereof; FIG. 3 is a right side view thereof; FIG. 4 is a left side view thereof; FIG. 5 is a front elevational view thereof; FIG. 6 is a rear elevational view thereof; and, FIG. 7 is a bottom plan view thereof.

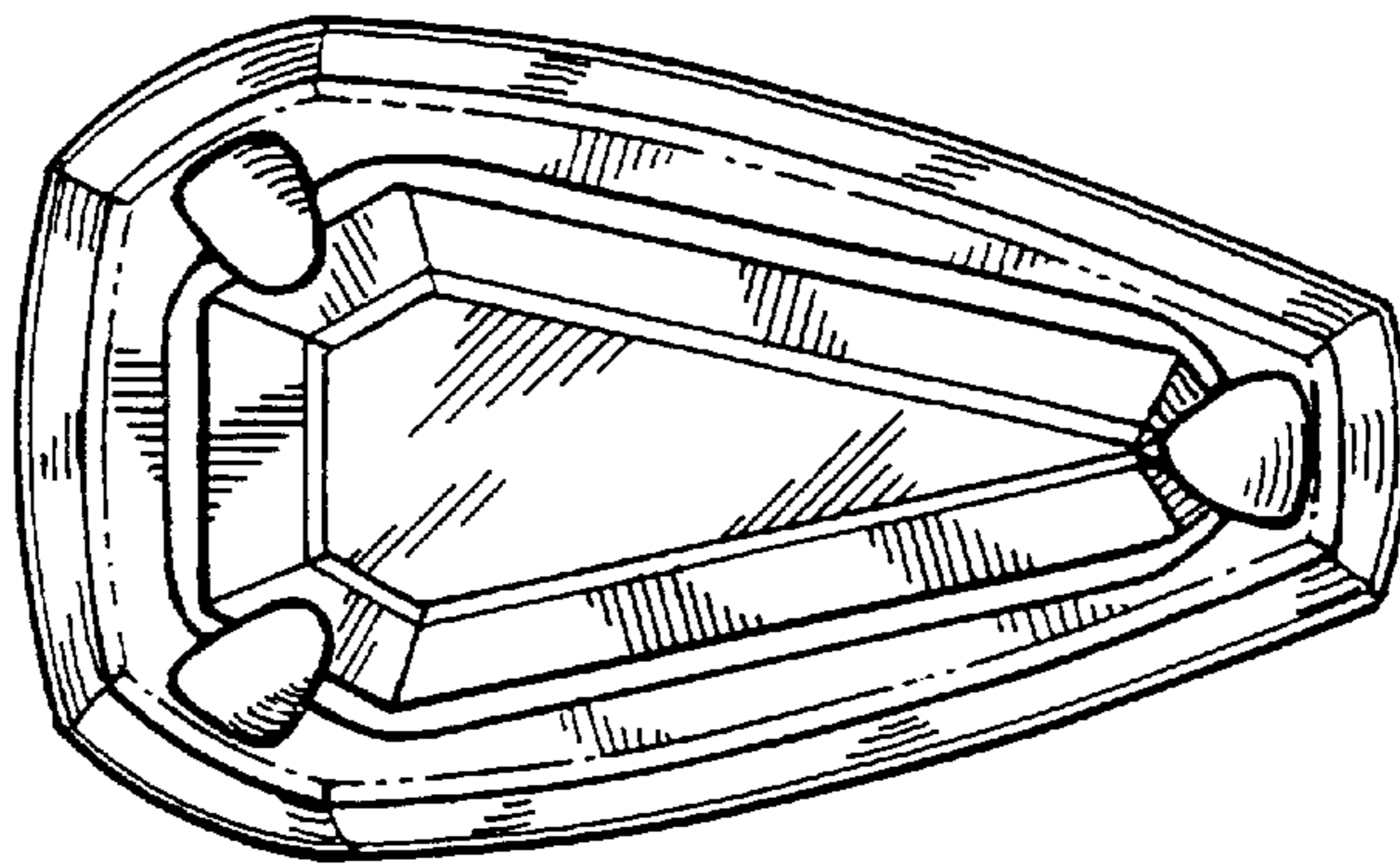
**1 Claim, 2 Drawing Sheets**



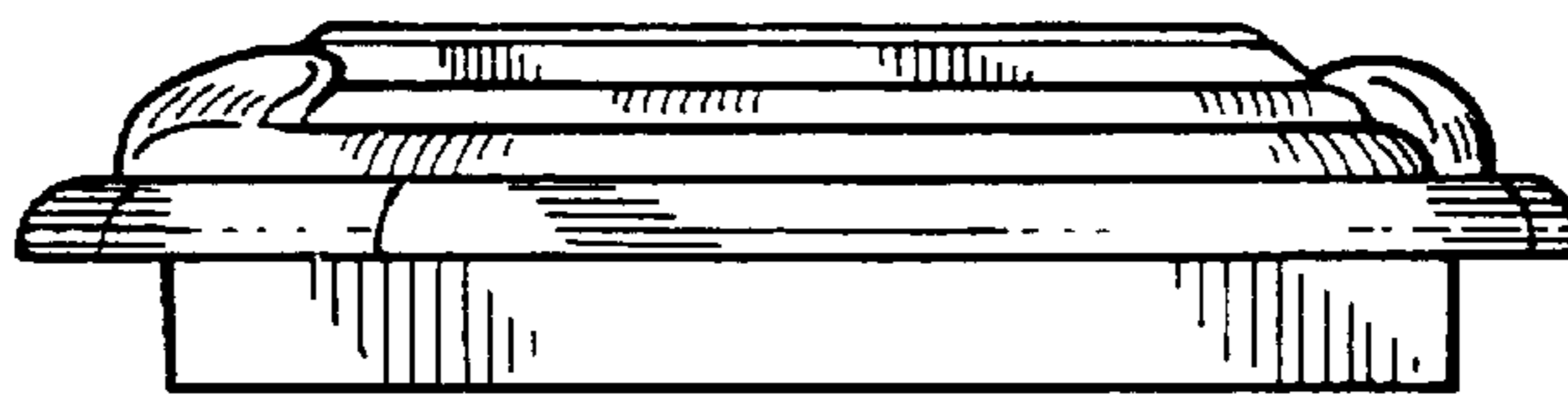
**FIG. 1**



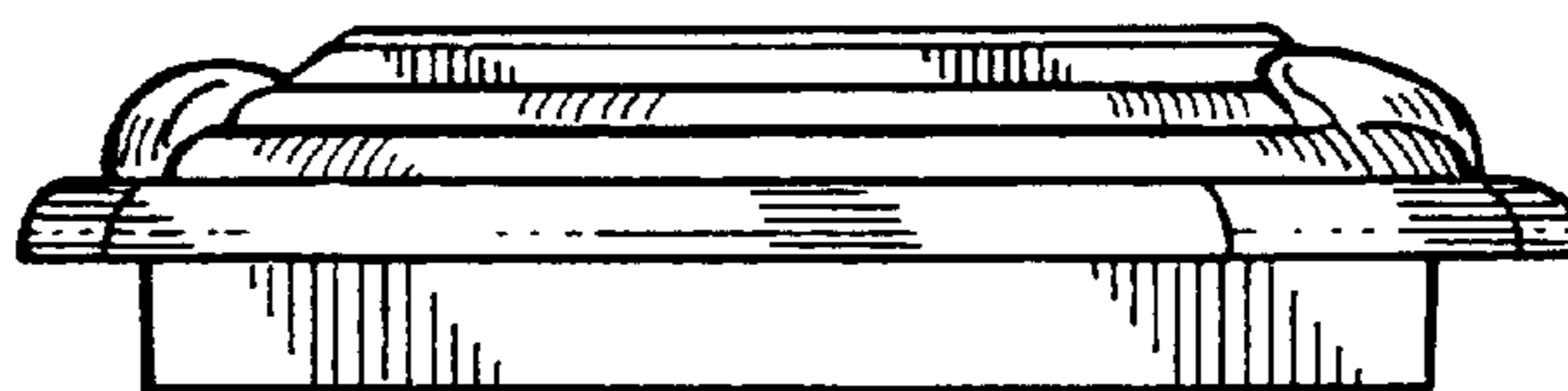
**FIG. 2**



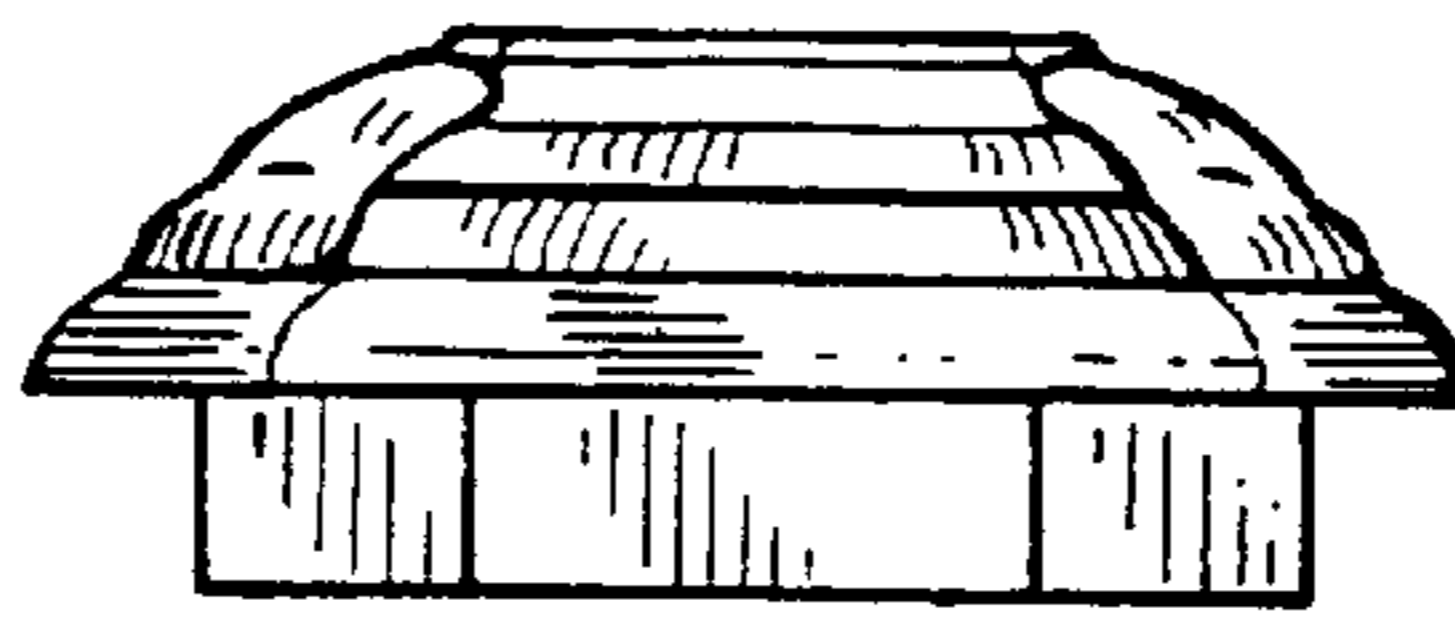
**FIG. 3**



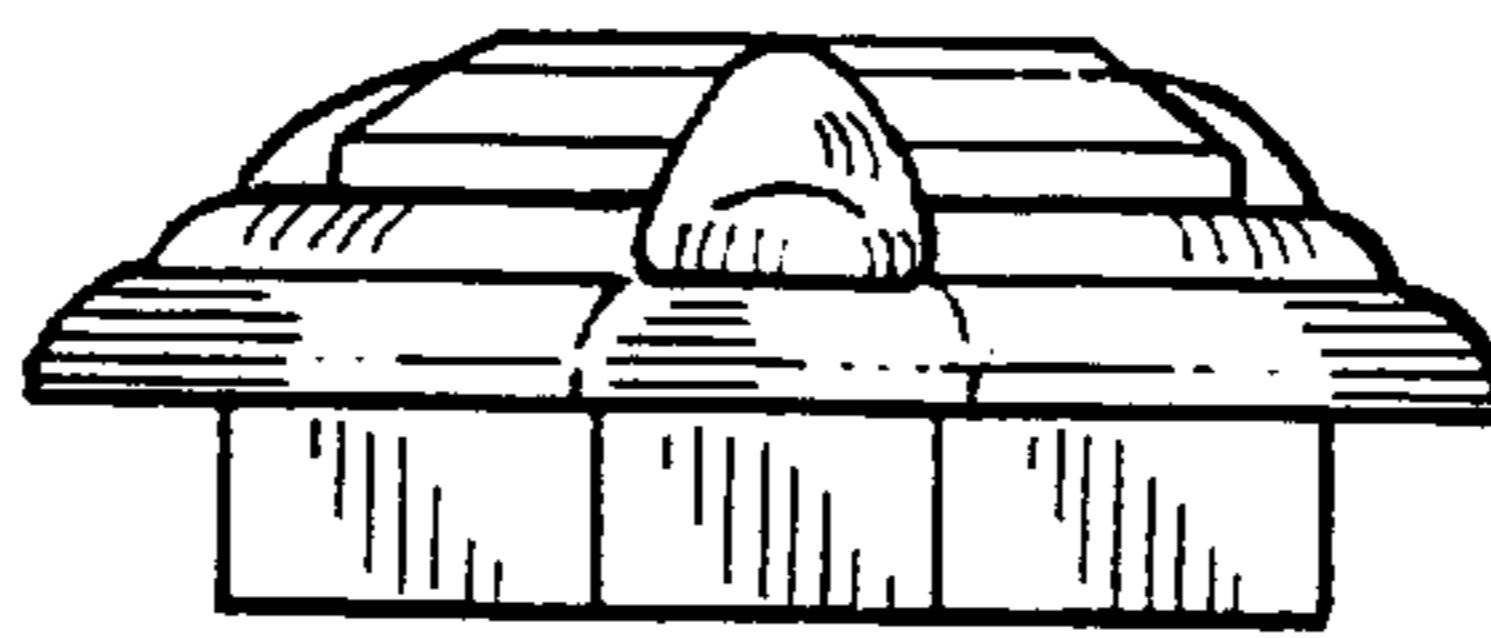
**FIG. 4**



**FIG. 5**



**FIG. 6**



**FIG. 7**

