



US00D399159S

United States Patent [19]
Pandel

[11] **Patent Number: Des. 399,159**
[45] **Date of Patent: **Oct. 6, 1998**

[54] **WATCH INDEX MARK MOUNTING (RECTANGULAR)**

[75] Inventor: **Christiane Pandel**, Chambesy, Switzerland

[73] Assignee: **Rolex Watch U.S.A., Inc.**, New York, N.Y.

[**] Term: **14 Years**

[21] Appl. No.: **75,864**

[22] Filed: **Aug. 27, 1997**

[30] **Foreign Application Priority Data**

Apr. 7, 1997 [CH] Switzerland 124 060

[51] **LOC (6) Cl.** **10-01**

[52] **U.S. Cl.** **D10/128**

[58] **Field of Search** D10/1-40, 122-132; 368/223, 227, 228, 232, 237; D11/89-90

[56] **References Cited**

U.S. PATENT DOCUMENTS

D. 58,318 7/1921 Heller .

- D. 129,370 9/1941 Dupertuis D10/30 X
- D. 150,628 8/1948 Goodkind D10/30 X
- D. 152,068 12/1948 Donchi .
- D. 178,091 6/1956 Sparks D10/39
- D. 251,659 4/1979 Grossbard D11/89 X
- D. 350,708 9/1994 Bachar D11/89 X

Primary Examiner—Nelson C. Holtje
Attorney, Agent, or Firm—Kane, Dalsimer, Sullivan, Kurucz, Levy, Eisele and Richard, LLP

[57] **CLAIM**

The ornamental design for watch index mark mounting (rectangular), as shown and described.

DESCRIPTION

FIG. 1 is a top perspective view depicting the watch index mounting design of the present invention; FIG. 2 is a top perspective view thereof; FIG. 3 is a right side view thereof; FIG. 4 is a left side view thereof; FIG. 5 is a front elevational view thereof; FIG. 6 is a rear elevational view thereof; and, FIG. 7 is a bottom plan view thereof.

1 Claim, 2 Drawing Sheets

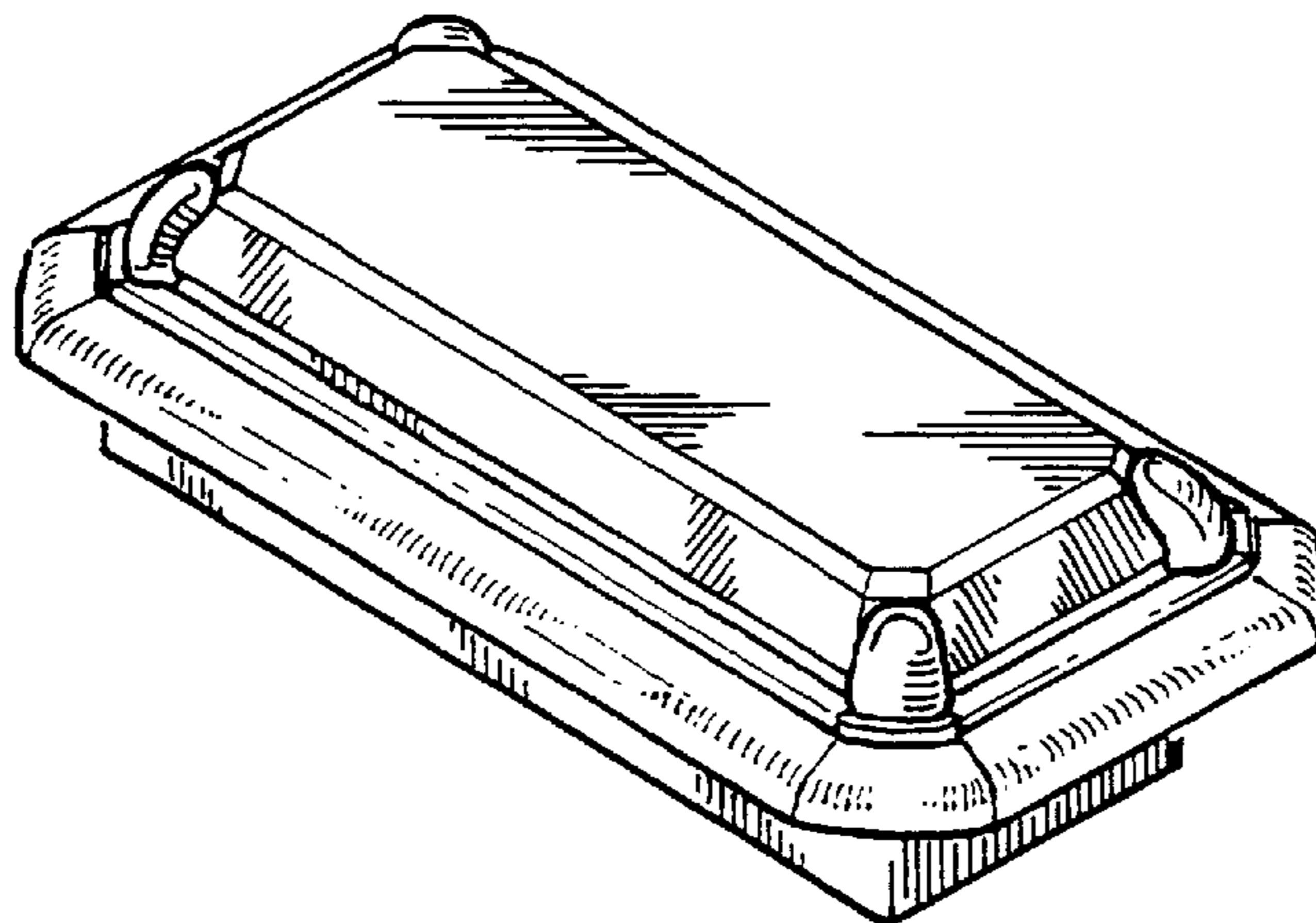


FIG. 1

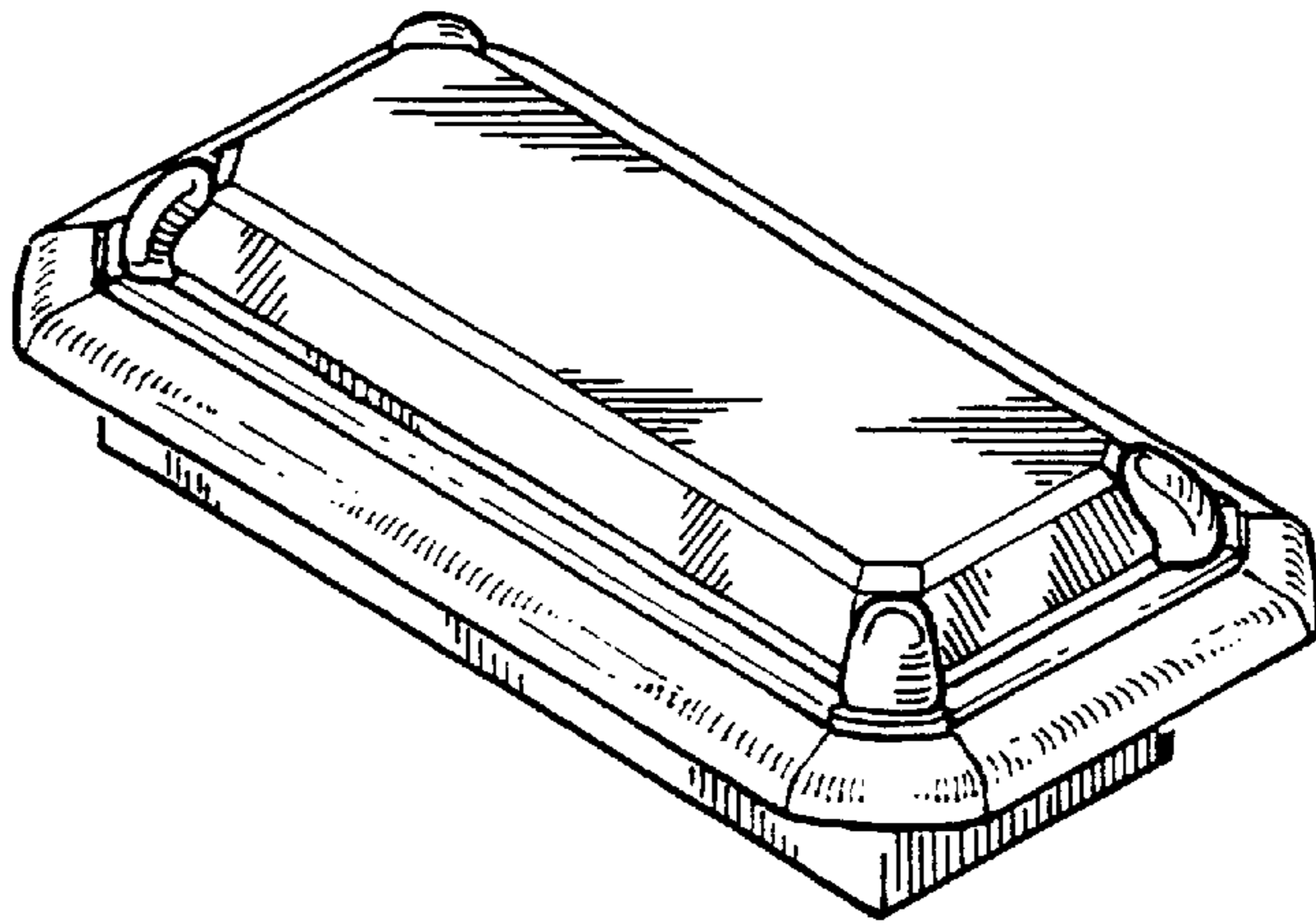


FIG. 2

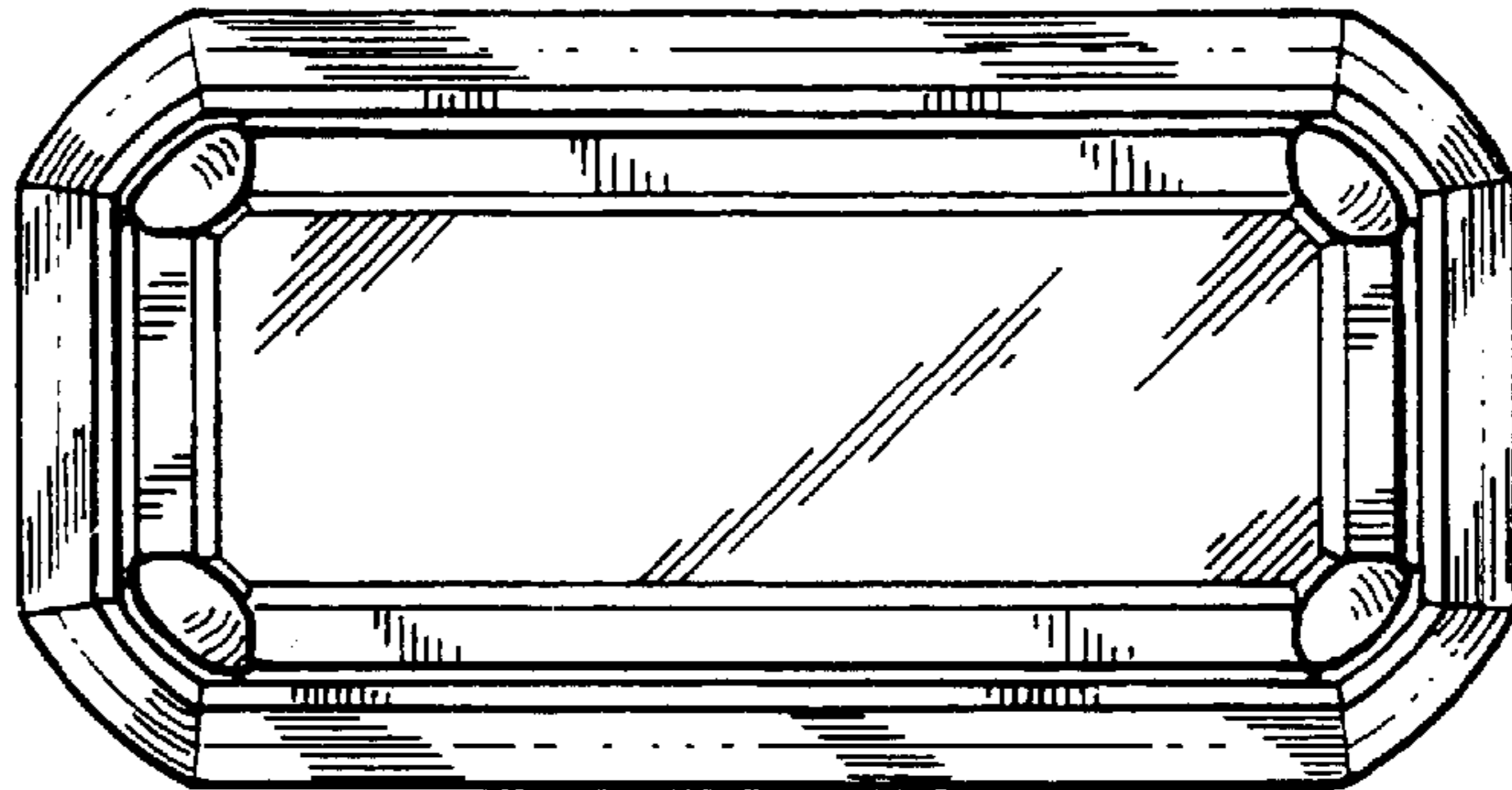


FIG. 3

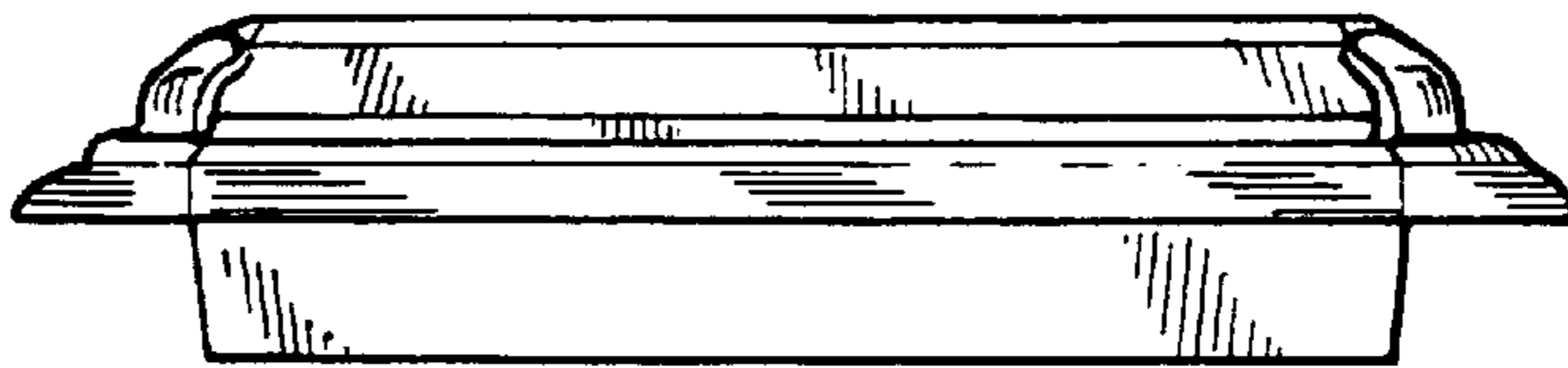


FIG. 4

