



US00D399156S

United States Patent [19]
Thibaud

[11] **Patent Number: Des. 399,156**

[45] **Date of Patent: **Oct. 6, 1998**

[54] **ALARM HOUSING FOR A VEHICLE ALARM UNIT**

D. 345,711 4/1994 Issa D10/106
D. 348,622 7/1994 Issa D10/106
D. 353,114 12/1994 Tsung-Fu D10/106

[75] Inventor: **Hugh Anthony Thibaud**, La Lucia, South Africa

Primary Examiner—Marcus A. Jackson
Attorney, Agent, or Firm—Ladas & Parry

[73] Assignee: **PFK Electronics (Pty) Ltd.**, Durban, South Africa

[**] Term: **14 Years**

[57] **CLAIM**

The ornamental design for an alarm housing for a vehicle alarm unit, as shown and described.

[21] Appl. No.: **80,439**

[22] Filed: **Dec. 9, 1997**

DESCRIPTION

[30] **Foreign Application Priority Data**

Jun. 11, 1997 [ZA] South Africa A97-0585

FIG. 1 is a perspective view of an alarm housing for a vehicle alarm unit showing my new design;

[51] **LOC (6) Cl.** **10-05**

FIG. 2 is a top plan view thereof;

[52] **U.S. Cl.** **D10/106**

FIG. 3 is a bottom plan view thereof;

[58] **Field of Search** D10/104, 106, D10/116, 121; 340/540, 542, 321, 328, 565, 566, 571, 572, 573

FIG. 4 is an side elevational view thereof, with the opposite side thereof;

FIG. 5 is a front elevational view thereof; and,

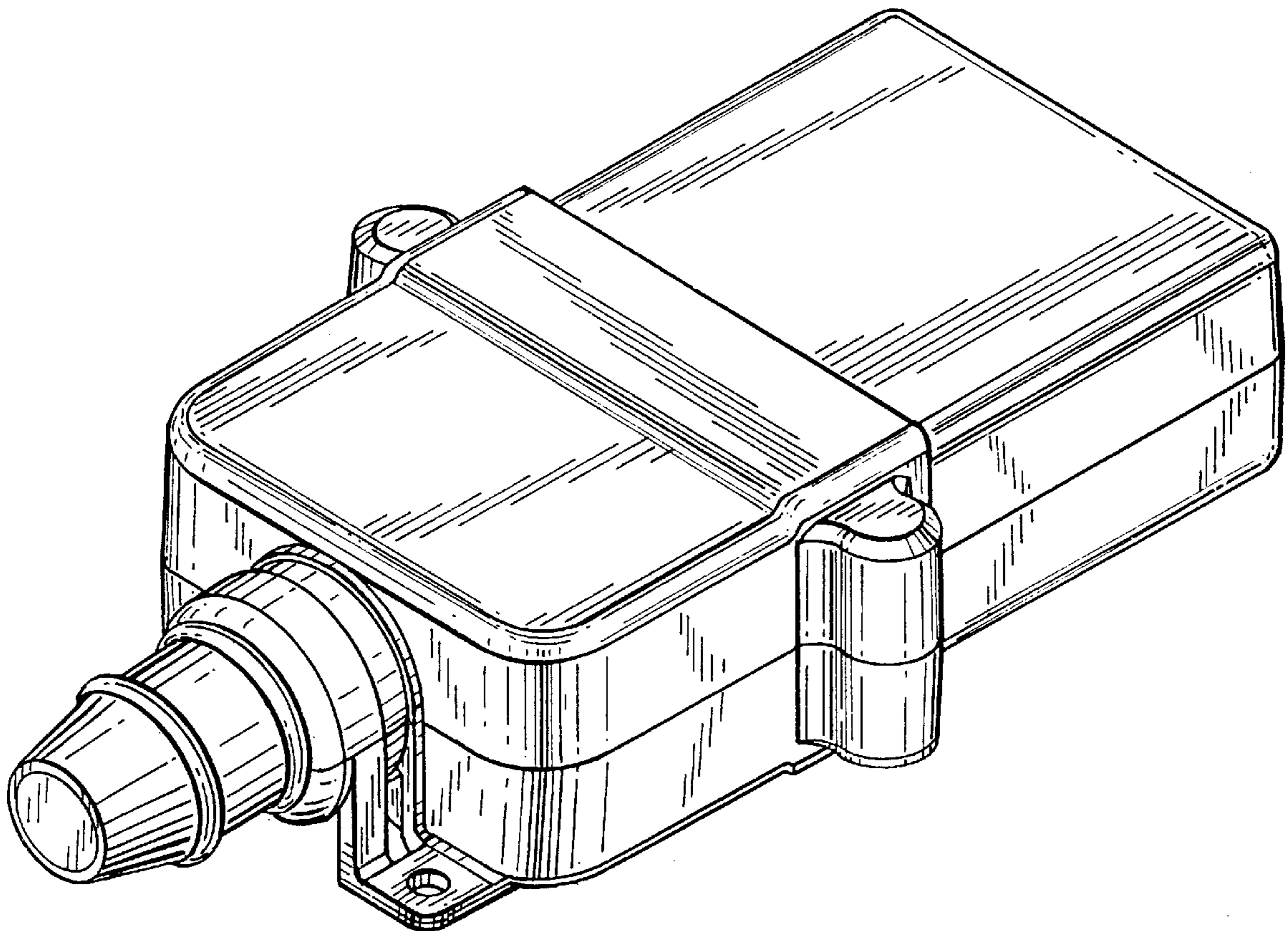
FIG. 6 is a rear elevational view thereof.

[56] **References Cited**

U.S. PATENT DOCUMENTS

D. 344,905 3/1994 Issa D10/106

1 Claim, 3 Drawing Sheets



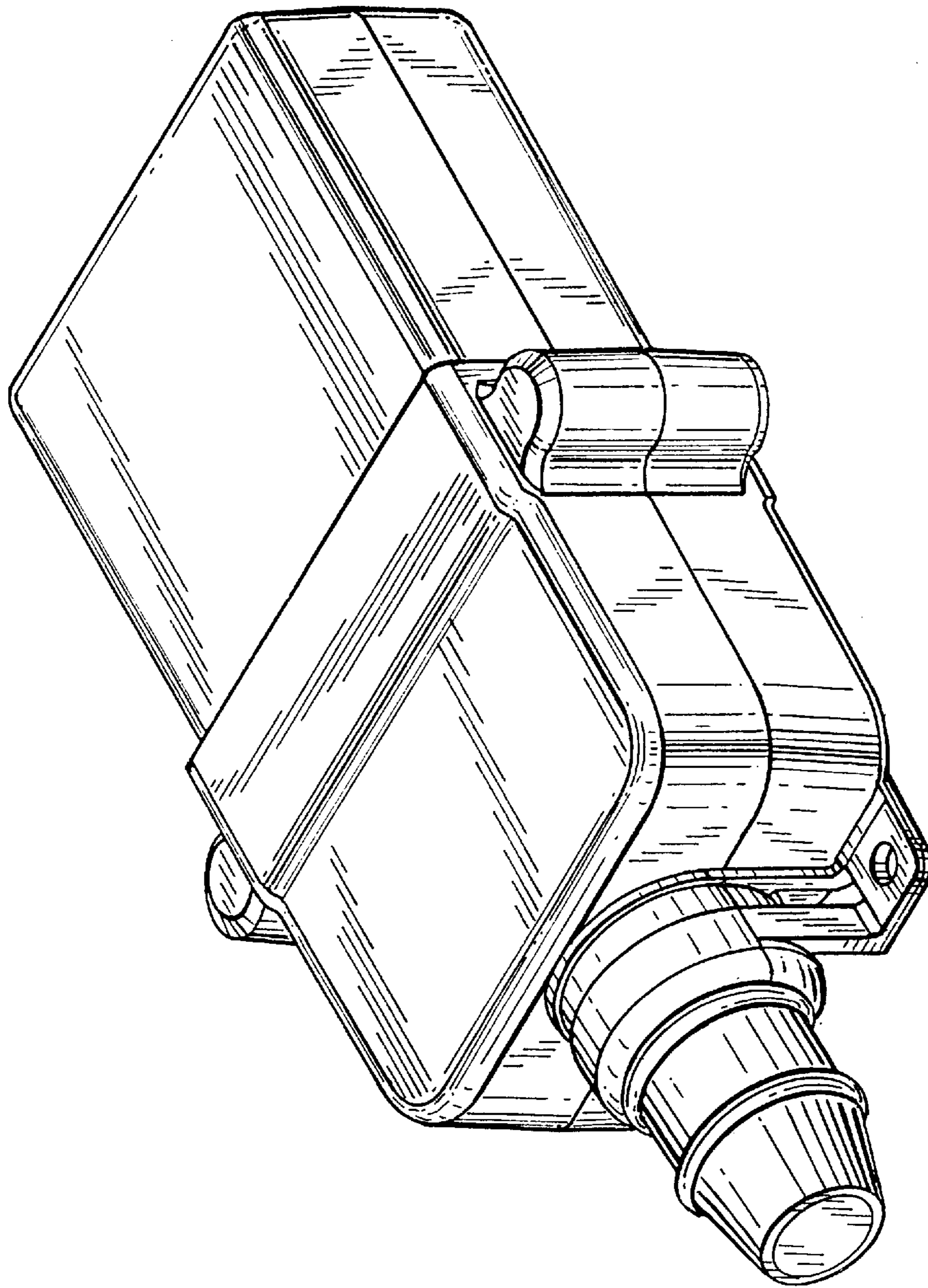


FIG. 1

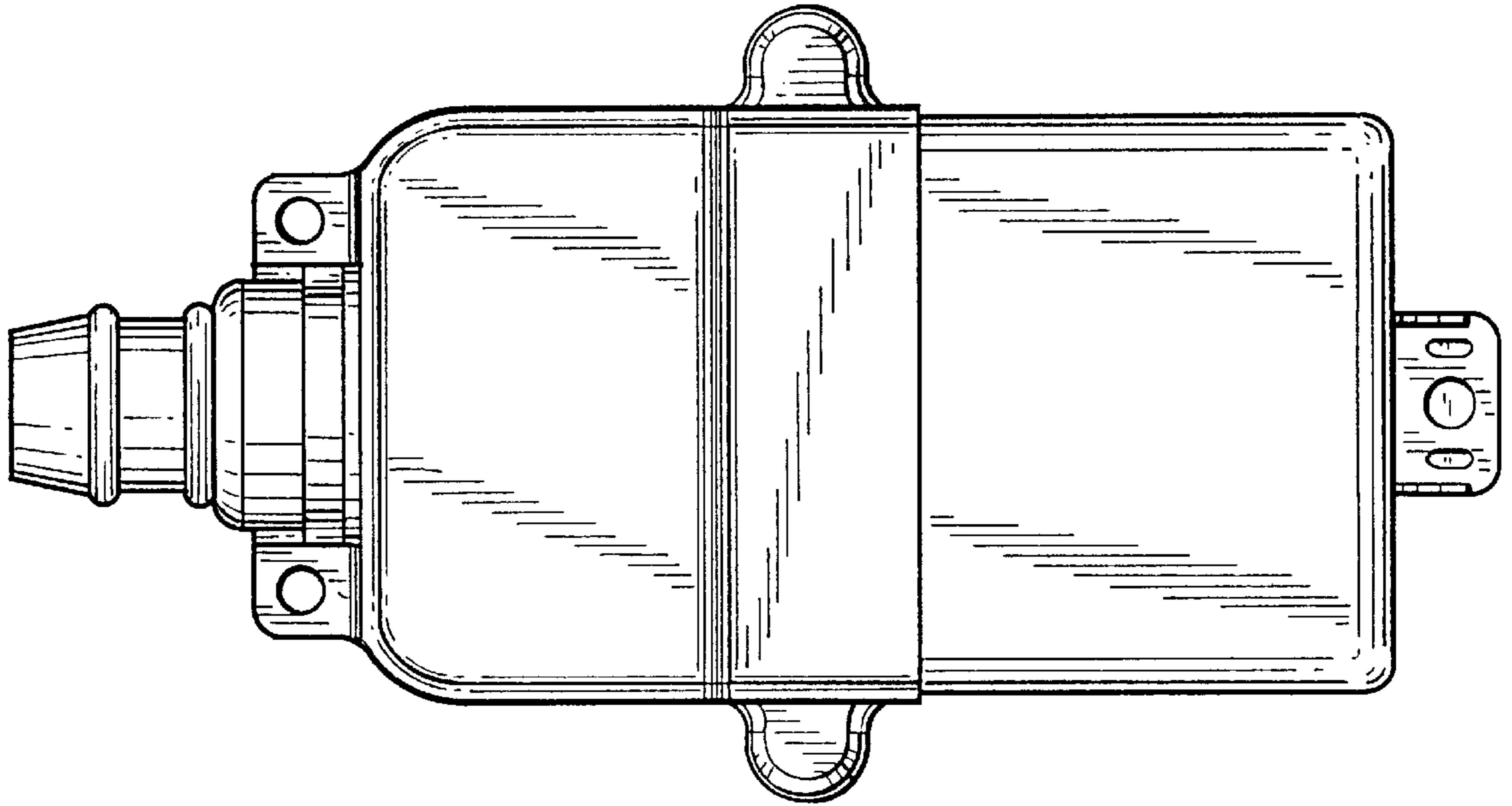


FIG. 2

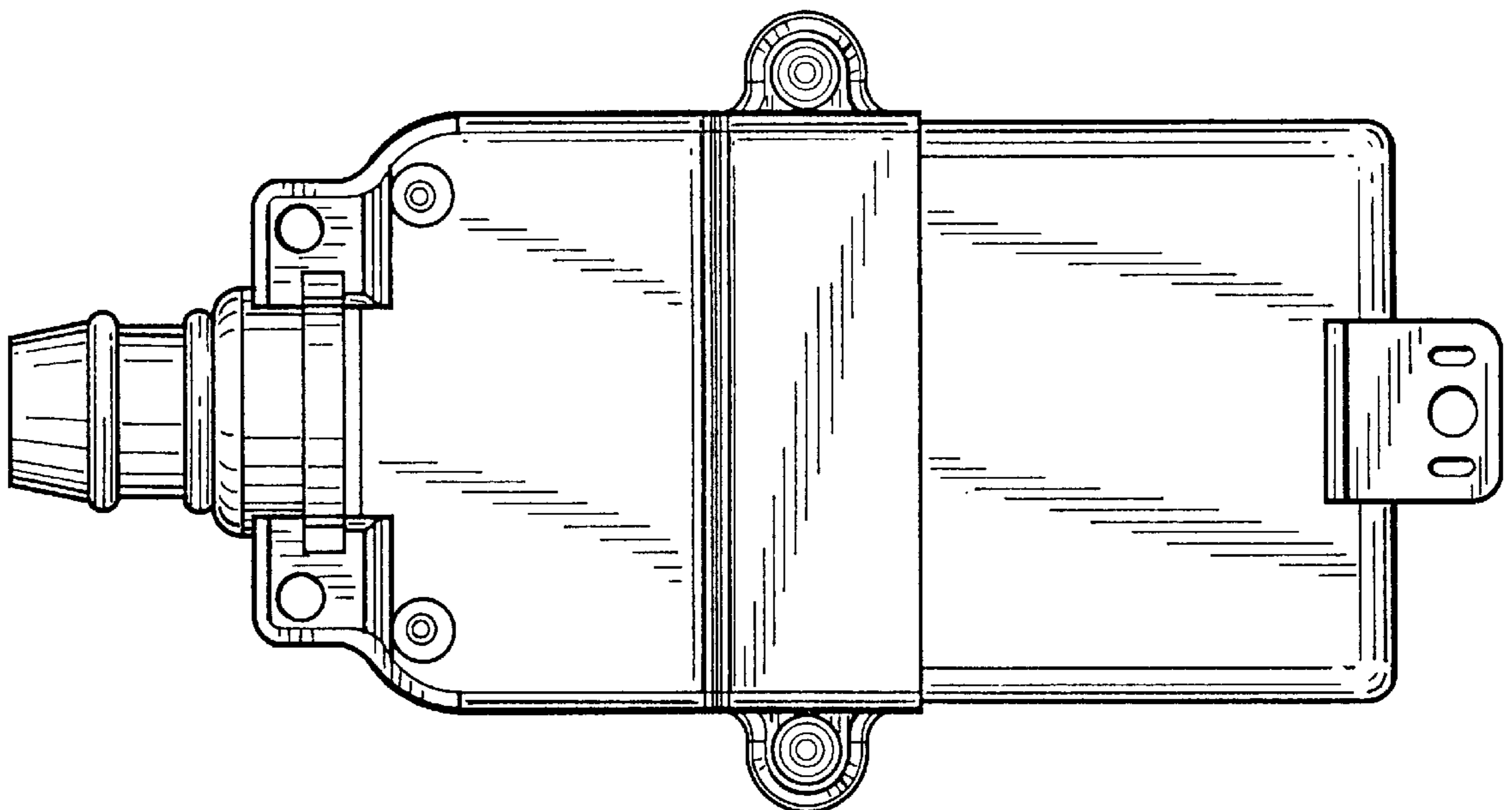


FIG. 3

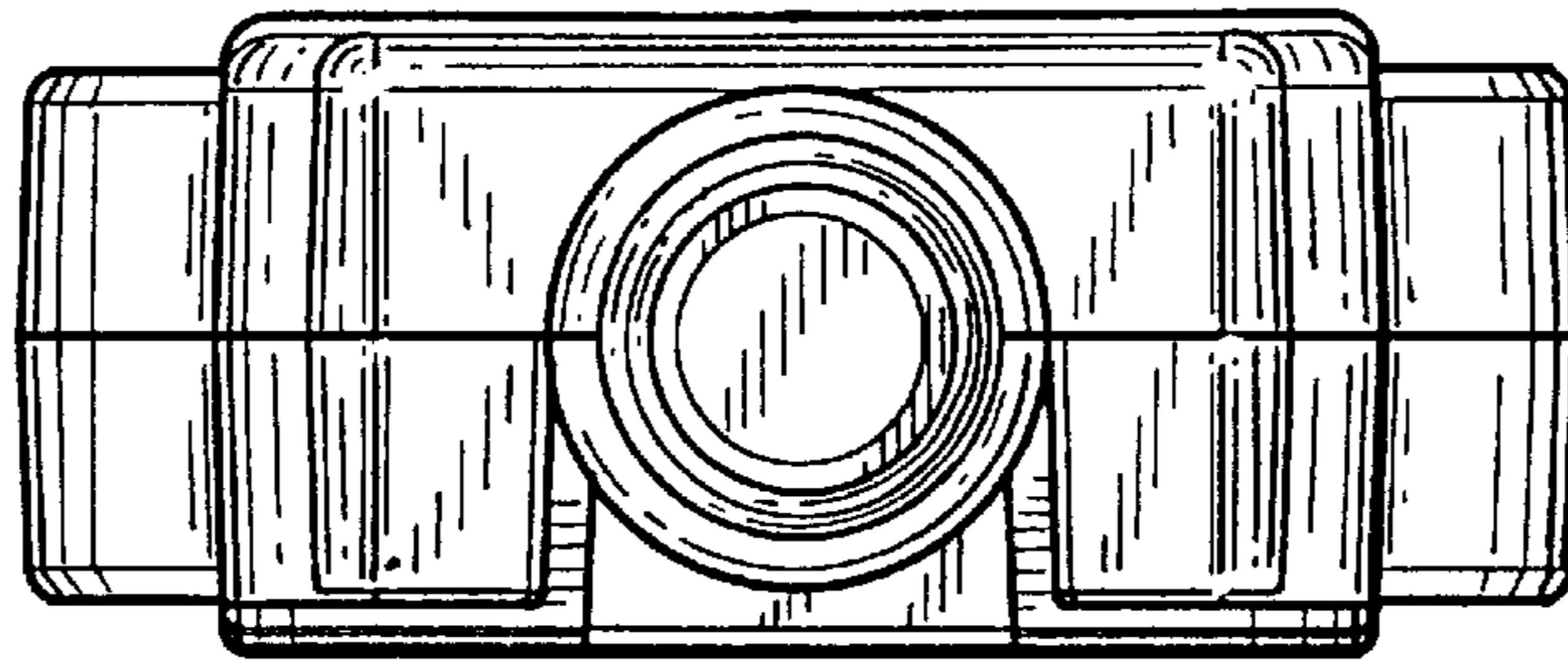


FIG. 5



FIG. 6

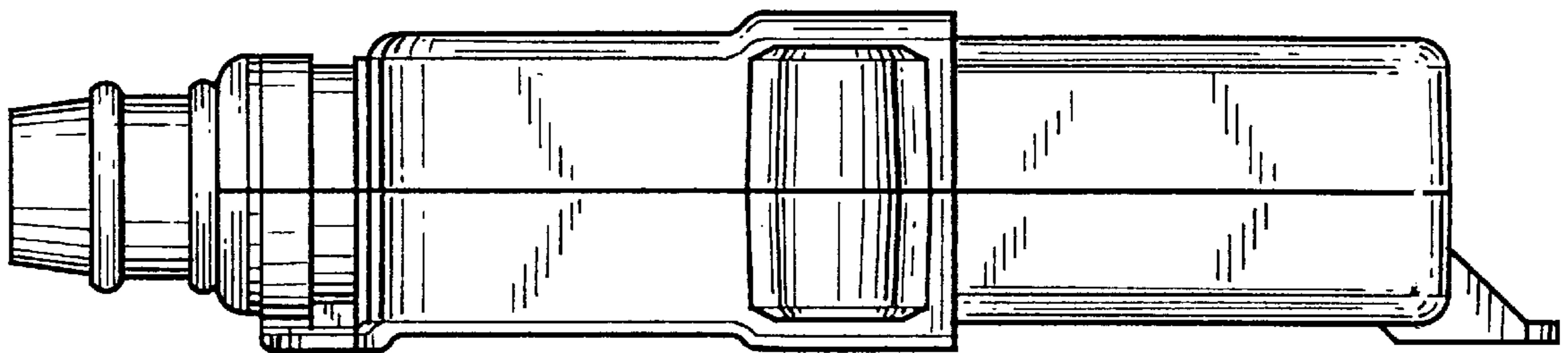


FIG. 4