



US00D399155S

United States Patent [19] Roberts

[11] **Patent Number: Des. 399,155**

[45] **Date of Patent: **Oct. 6, 1998**

[54] **SECURITY DETECTOR HOUSING AND MOUNTING BRACKETS**

[75] Inventor: **Simon Vincent Roberts**, Stockport, England

[73] Assignee: **Texecom, Inc.**, Stafford, Tex.

[**] Term: **14 Years**

[21] Appl. No.: **67,677**

[22] Filed: **Mar. 10, 1997**

[30] **Foreign Application Priority Data**

Aug. 1, 1996	[GB]	United Kingdom	2058147
Aug. 1, 1996	[GB]	United Kingdom	2058148
Aug. 1, 1996	[GB]	United Kingdom	2058149

[51] **LOC (6) Cl.** **10-05**

[52] **U.S. Cl.** **D10/106**

[58] **Field of Search** D10/104, 106,
D10/116, 121; 340/500, 506, 540, 541,
545, 573, 574, 575, 576, 577, 578, 589,
600, 693

[56] **References Cited**

U.S. PATENT DOCUMENTS

D. 339,079	9/1993	Behlke	D10/106
D. 346,567	5/1994	Rimon	D10/106
D. 356,748	3/1995	Carmi	D10/106

D. 358,108	5/1995	Yrien	D10/106
D. 370,863	6/1996	Carmi	D10/106
D. 381,283	7/1997	Soreo	D10/106
D. 383,078	9/1997	Carmi	D10/106

Primary Examiner—Marcus A. Jackson
Attorney, Agent, or Firm—Edward M. Livingston, Esq.

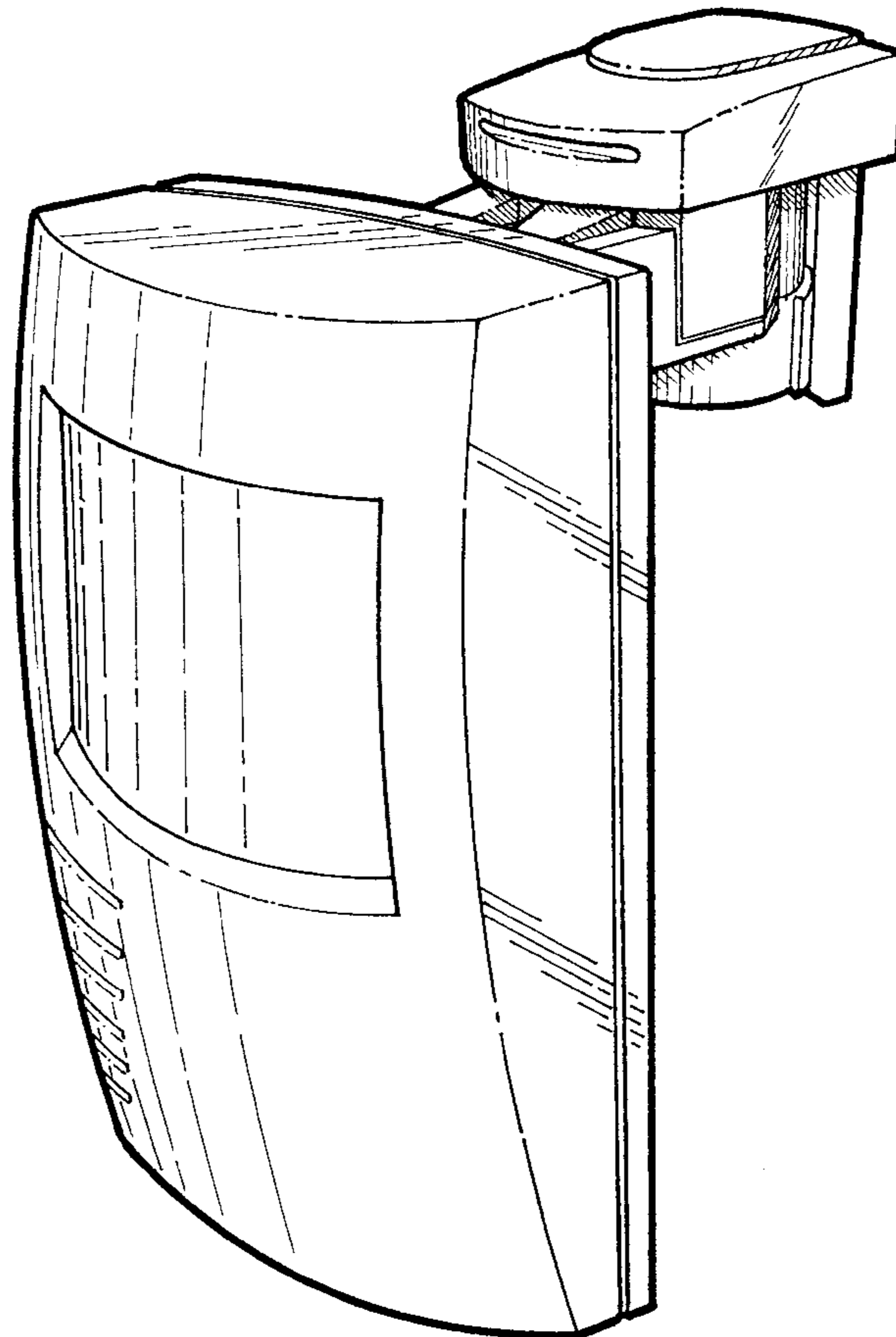
[57] **CLAIM**

The ornamental design for a security detector housing and mounting brackets, as shown and described.

DESCRIPTION

FIG. 1 is a perspective view of a security detector housing and mounting brackets showing my new design, with the bracket omitted for clarity of illustration only; FIG. 2 is a right side elevational view thereof, with the left side being a mirror image; FIG. 3 is a rear elevational view thereof; FIG. 4 is an enlarged perspective view thereof, with the wall mounting bracket illustrated; FIG. 5 is a left side elevational view being a mirror image; FIG. 6 is a rear elevational view thereof; FIG. 7 is a perspective view thereof with a ceiling mounting bracket illustrated; FIG. 8 is a left side elevational view thereof, with the right side being a mirror image; and, FIG. 9 is an elevation rear view of the monitor housing with ceiling mounting bracket.

1 Claim, 9 Drawing Sheets



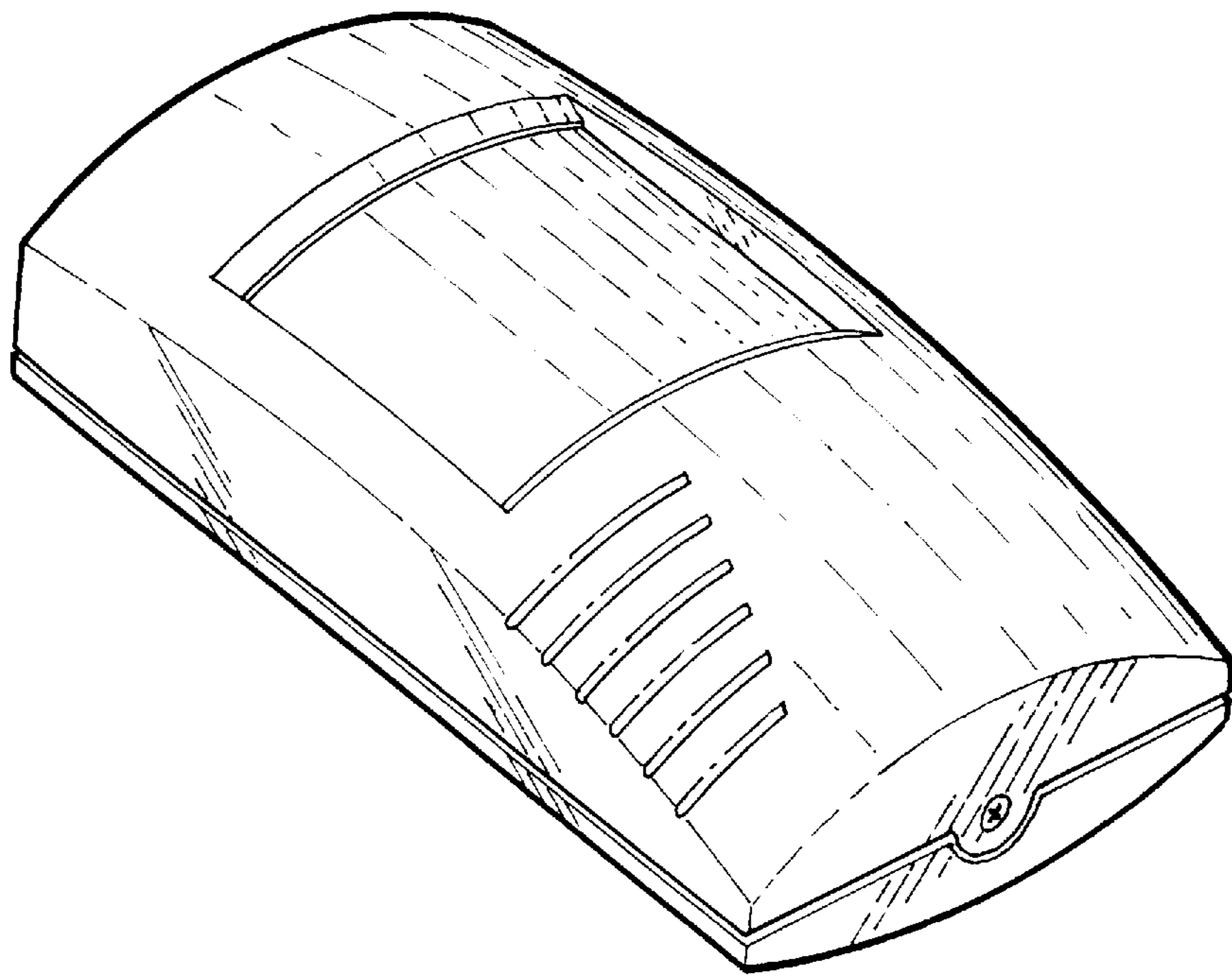


FIG. 1

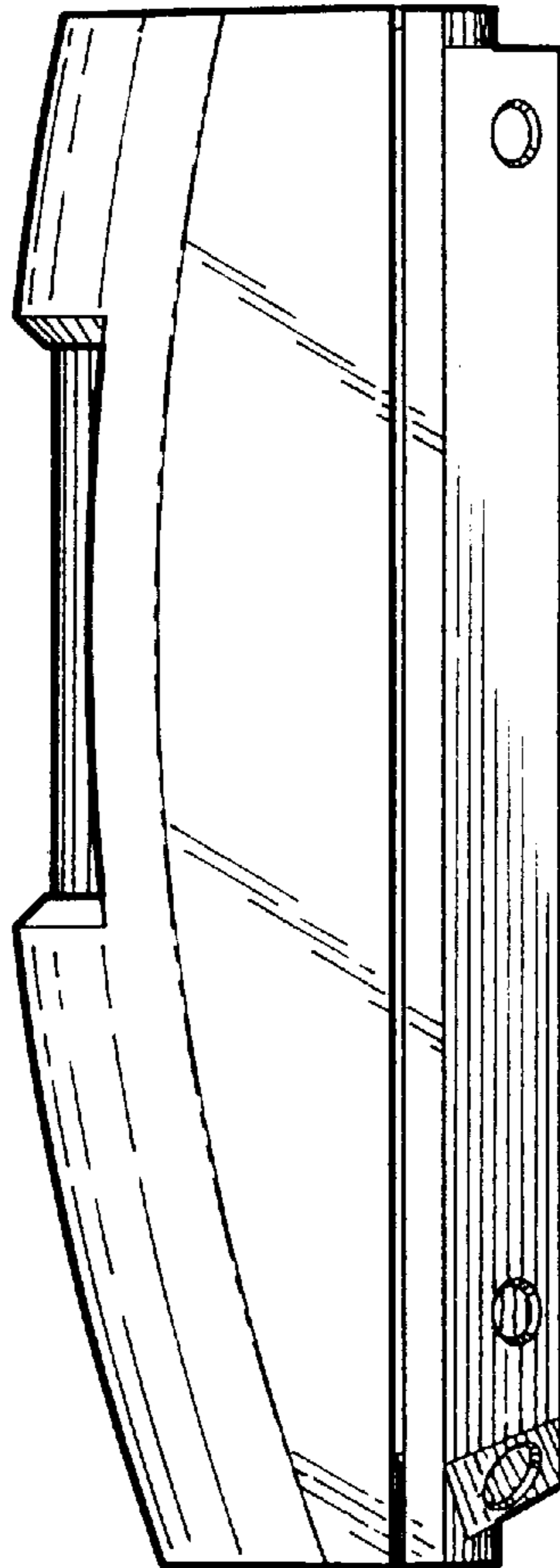


FIG. 2

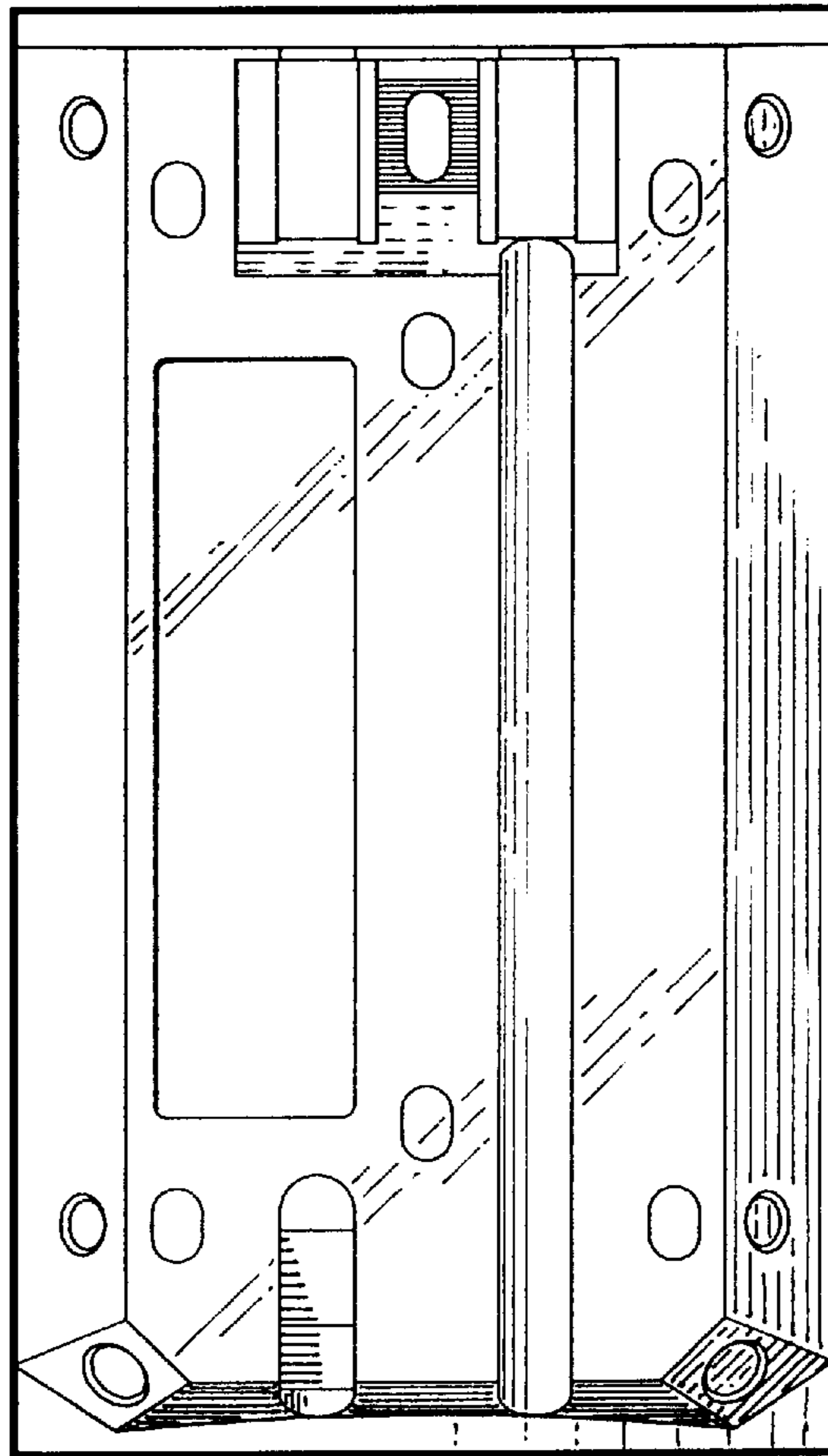


FIG. 3

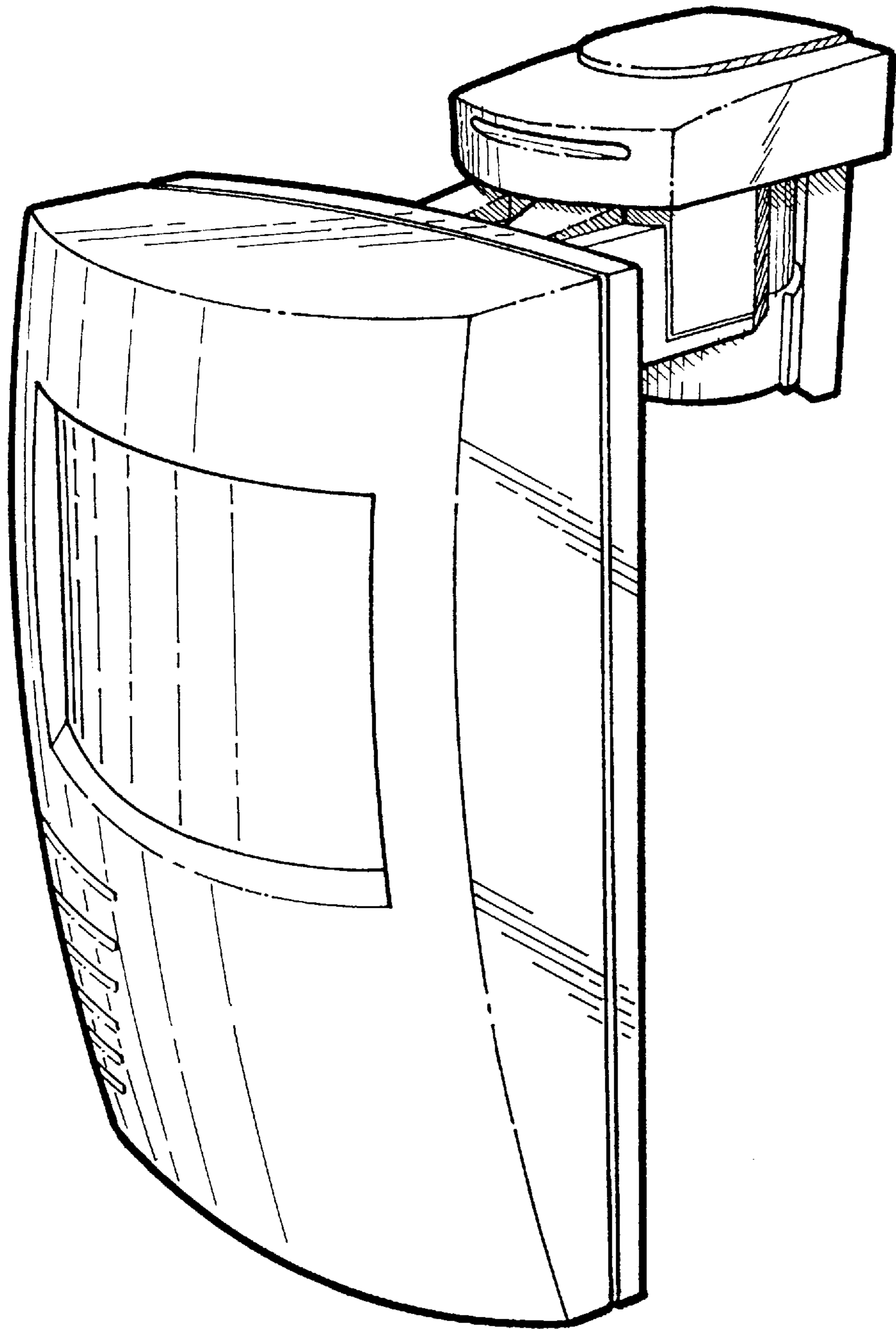


FIG. 4

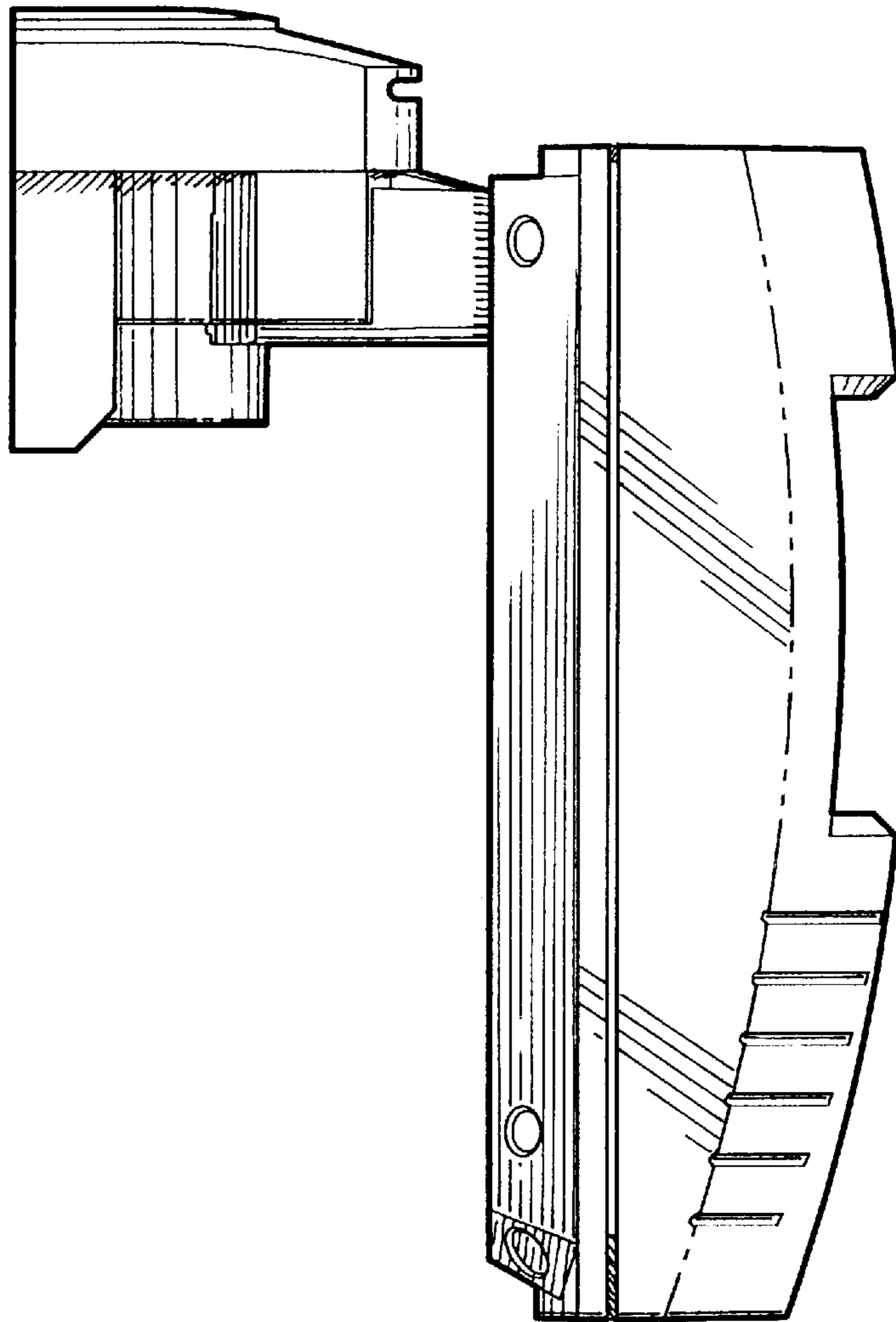


FIG. 5

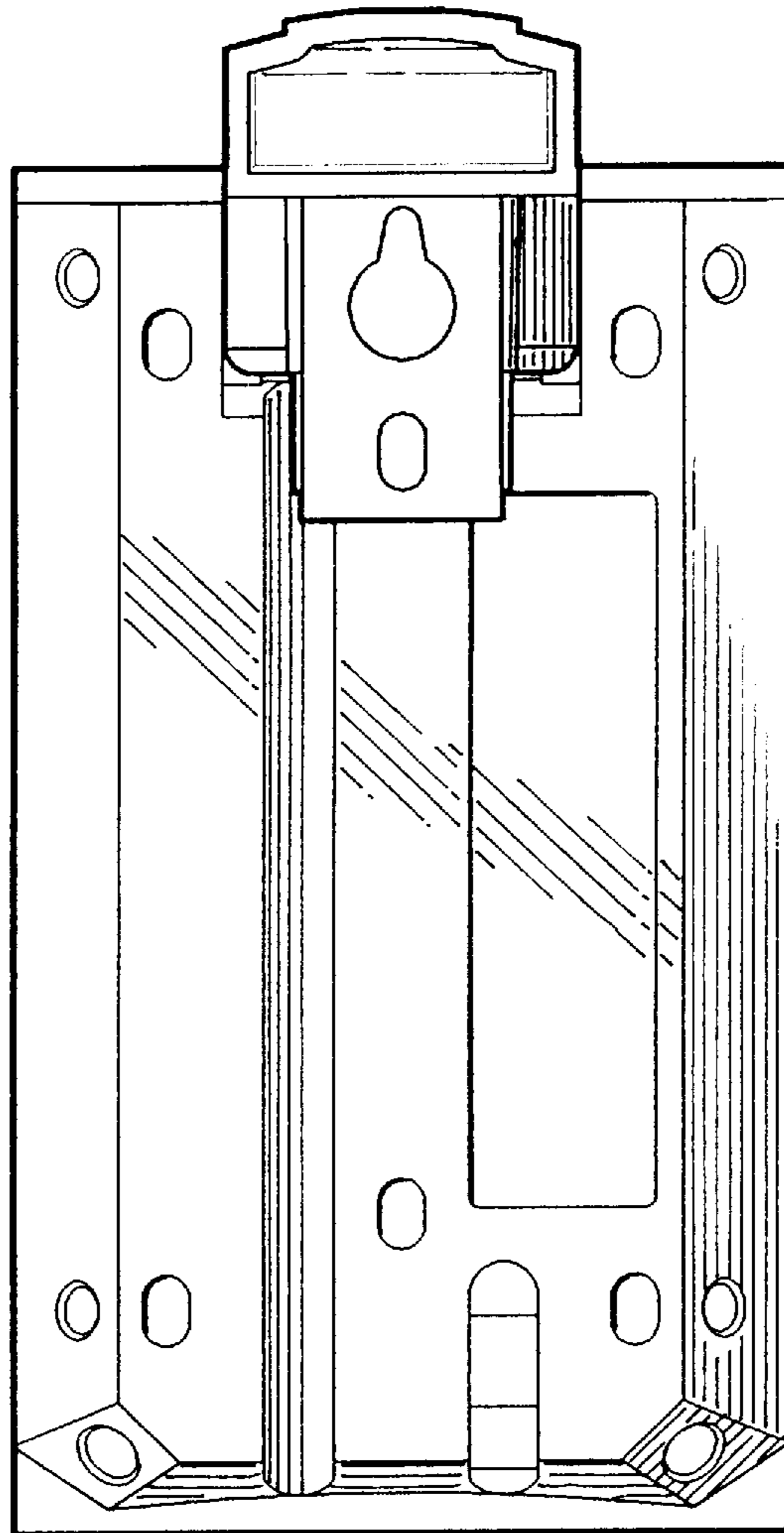


FIG. 6

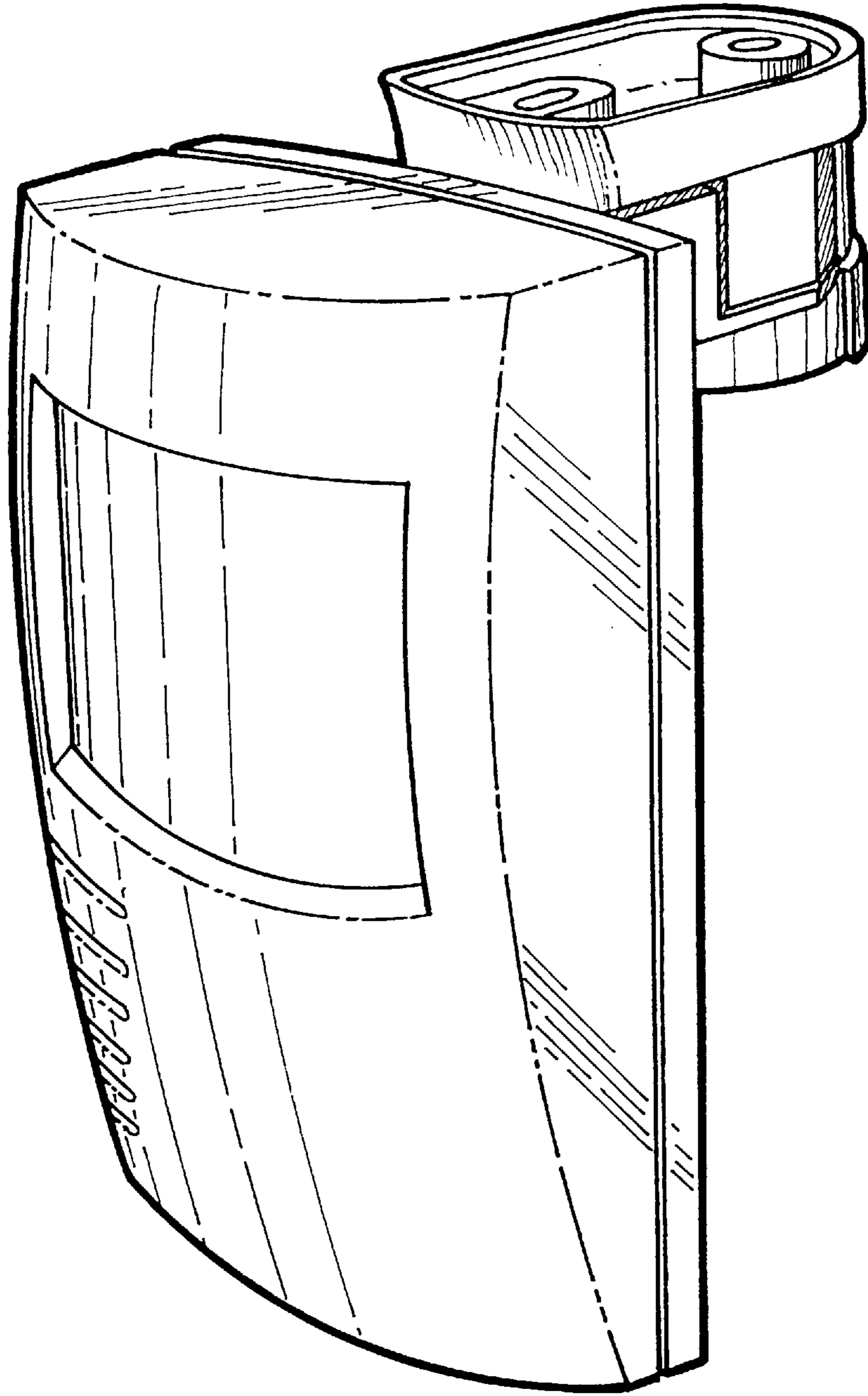


FIG. 7

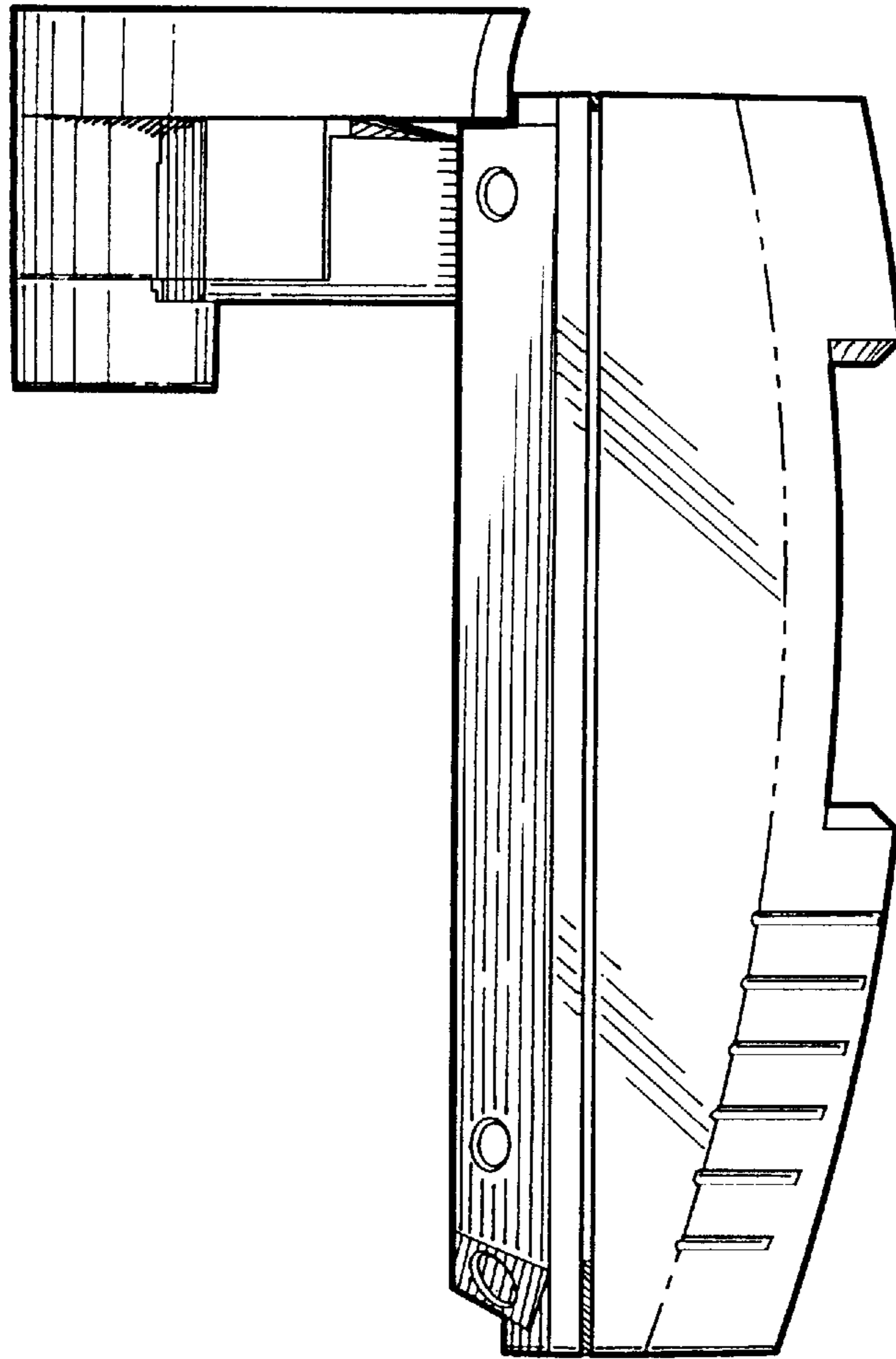


FIG. 8

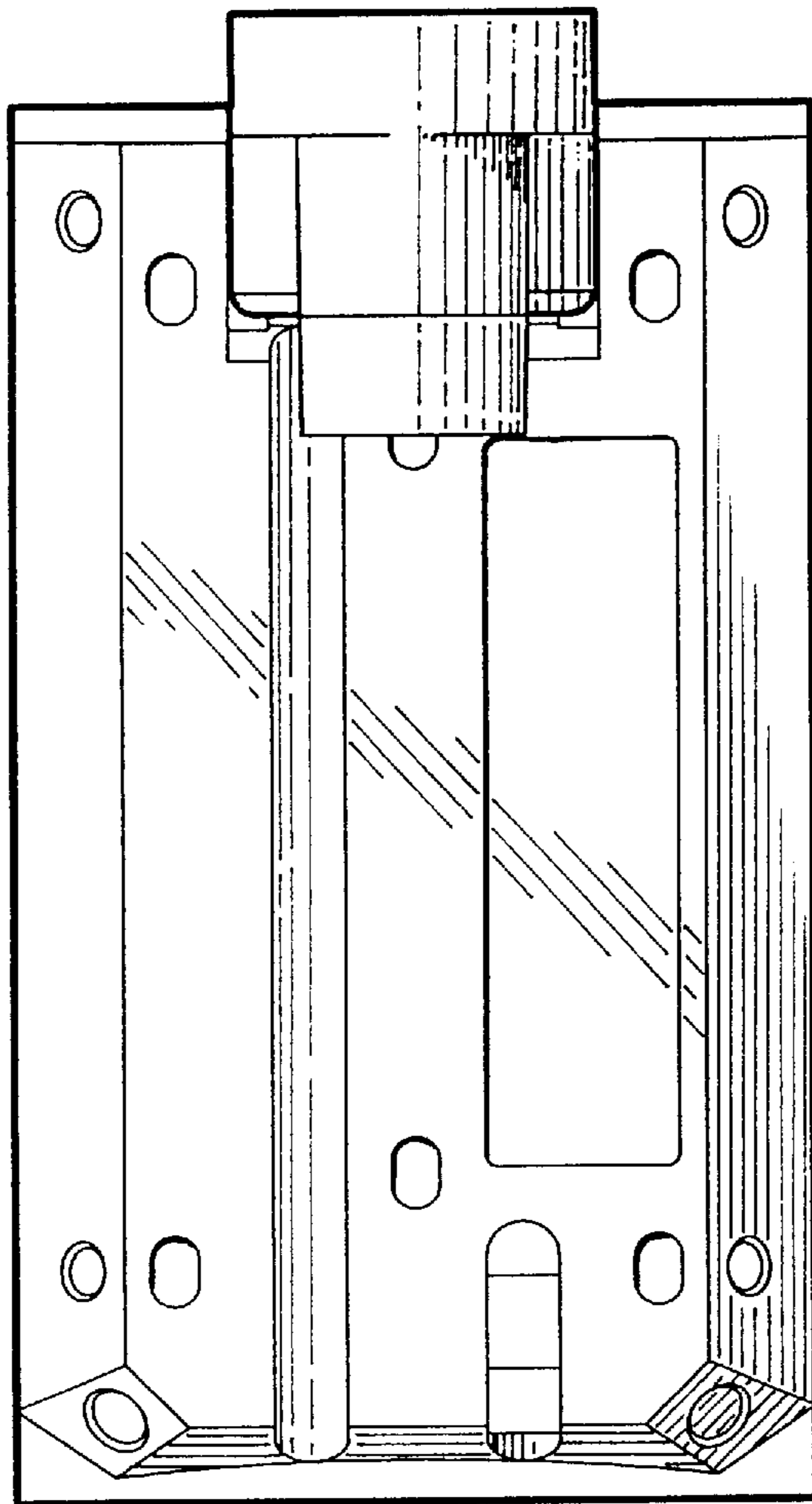


FIG. 9