



US00D399153S

United States Patent [19]

Yamauchi et al.

[11] **Patent Number: Des. 399,153**

[45] **Date of Patent: **Oct. 6, 1998**

[54] **BODY FAT MONITOR**

[75] Inventors: **Takanobu Yamauchi; Yoshihiko Sano; Miharu Kon; Makoto Oyama**, all of Kyoto, Japan

[73] Assignee: **Omron Corporation**, Kyoto, Japan

[**] Term: **14 Years**

[21] Appl. No.: **75,214**

[22] Filed: **Aug. 21, 1997**

[30] **Foreign Application Priority Data**

Feb. 25, 1997 [JP] Japan 9-5417

[51] **LOC (6) Cl.** **10-04**

[52] **U.S. Cl.** **D10/97**

[58] **Field of Search** D10/96, 97; D18/6; D24/186; 128/897, 660.1, 921; 340/512, 573, 691, 825.06, 825.17; 364/466, 413.04, 413.1, 413.02; 377/24.2, 20.19; 434/127, 203; 482/8, 901; 600/300, 513, 523, 502, 520, 481; 968/886, DIG. 1

[56] **References Cited**

U.S. PATENT DOCUMENTS

D. 344,535 2/1994 Caruso et al. D10/97 X
5,566,676 10/1996 Rosenfeldt et al. 600/485

Primary Examiner—Antoine Duval Davis
Attorney, Agent, or Firm—Sughrue, Mion, Zinn, Macpeak & Seas, PLLC

[57] **CLAIM**

The ornamental design for a body fat monitor, as shown and described.

DESCRIPTION

FIG. 1 is a perspective view of the top, front and one side of a body fat monitor showing our new design; FIG. 2 is a front elevational view thereof; FIG. 3 is a top plan view thereof; FIG. 4 is a bottom plan view thereof; FIG. 5 is a side elevational view thereof, the opposite side being a mirror image thereof; and, FIG. 6 is a rear elevational view thereof.

1 Claim, 3 Drawing Sheets

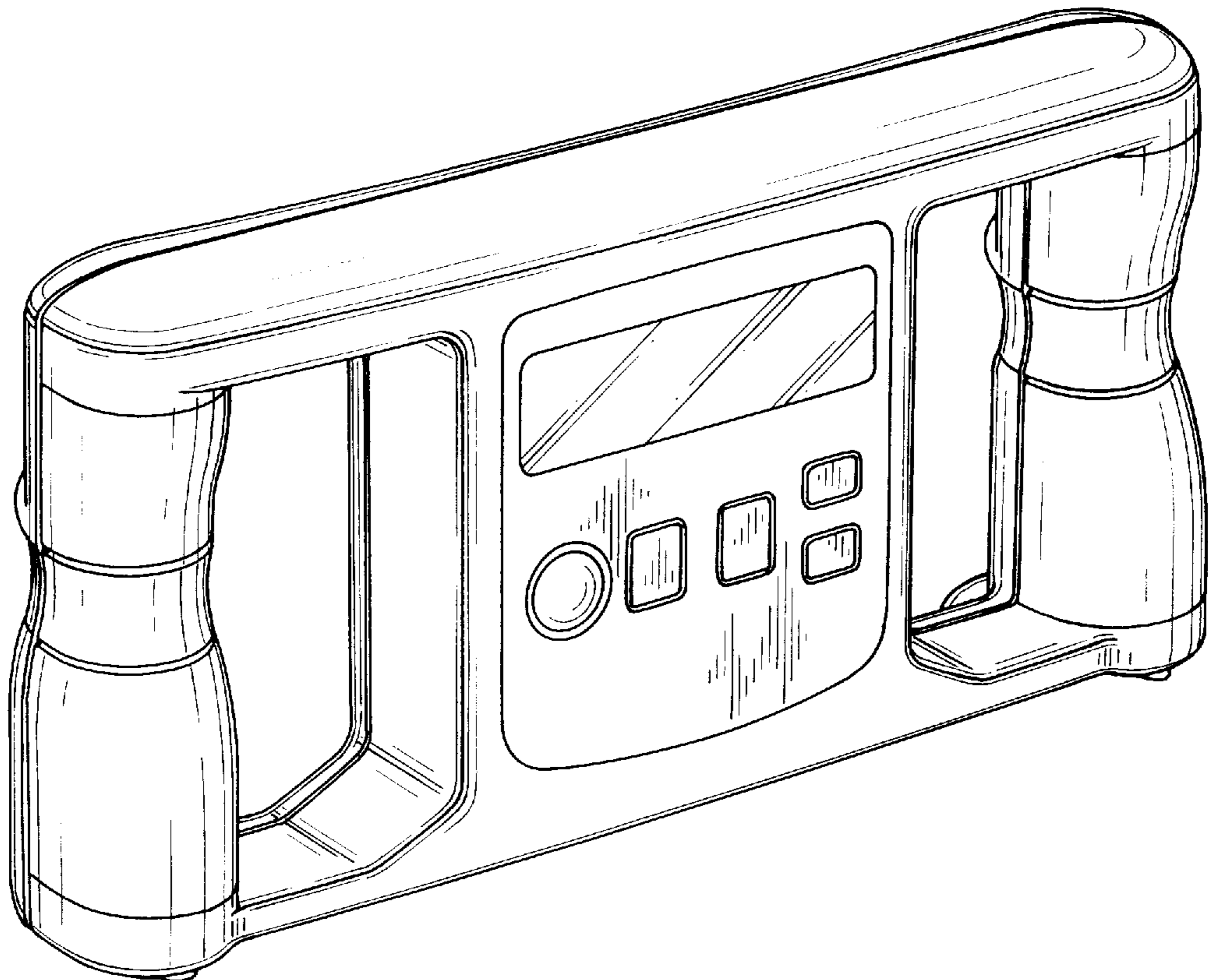


FIG. 1

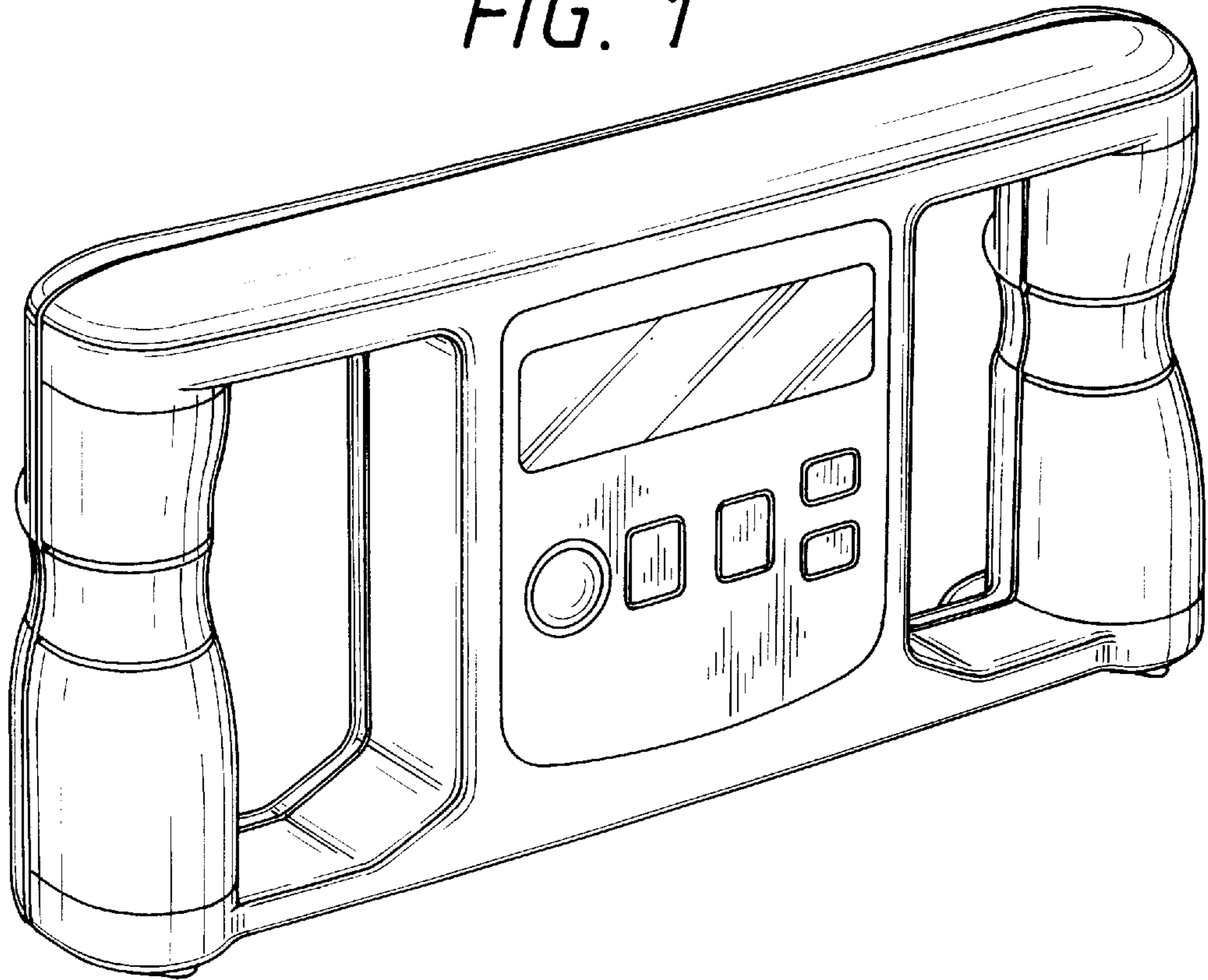


FIG. 2

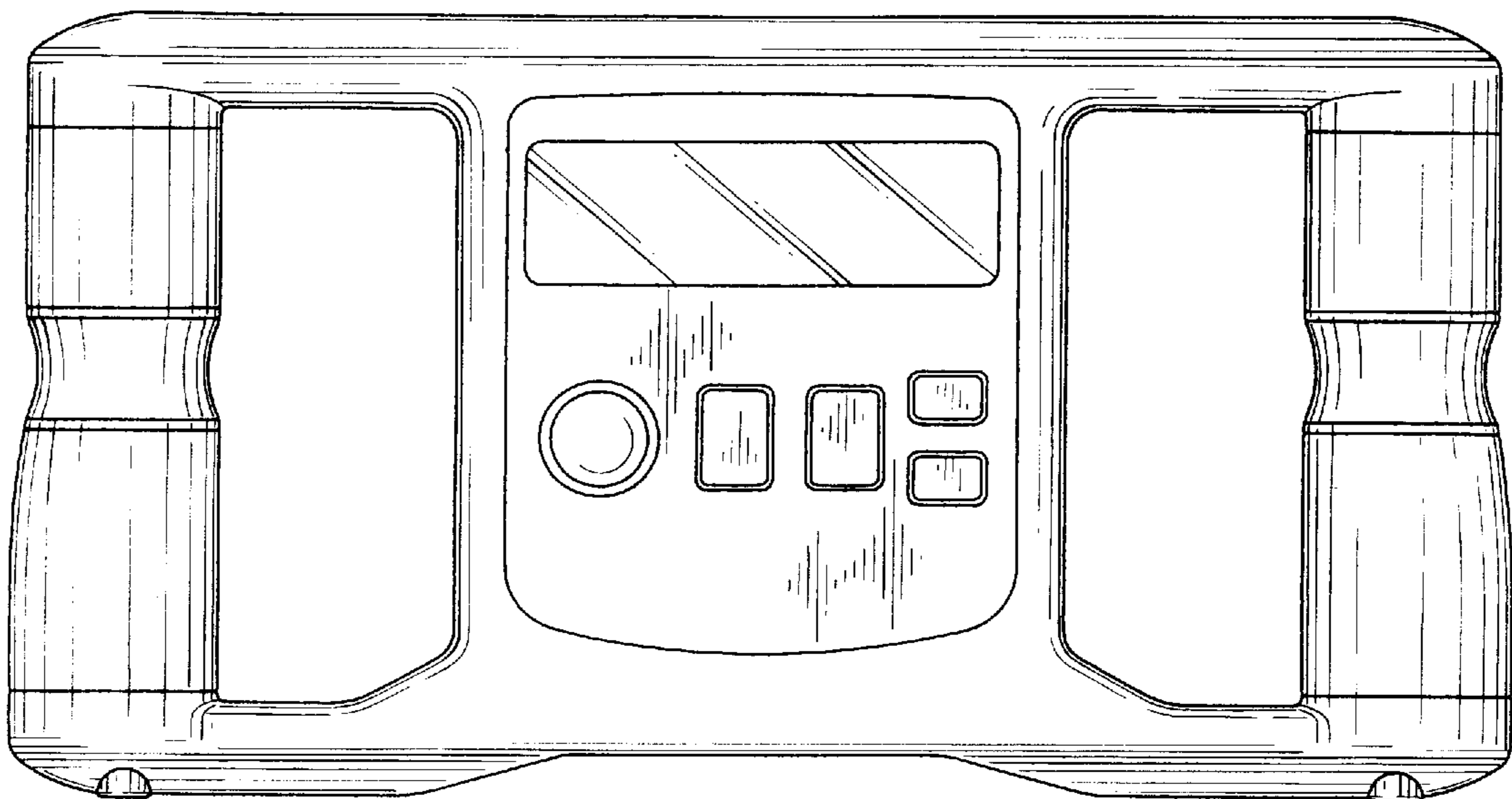


FIG. 3

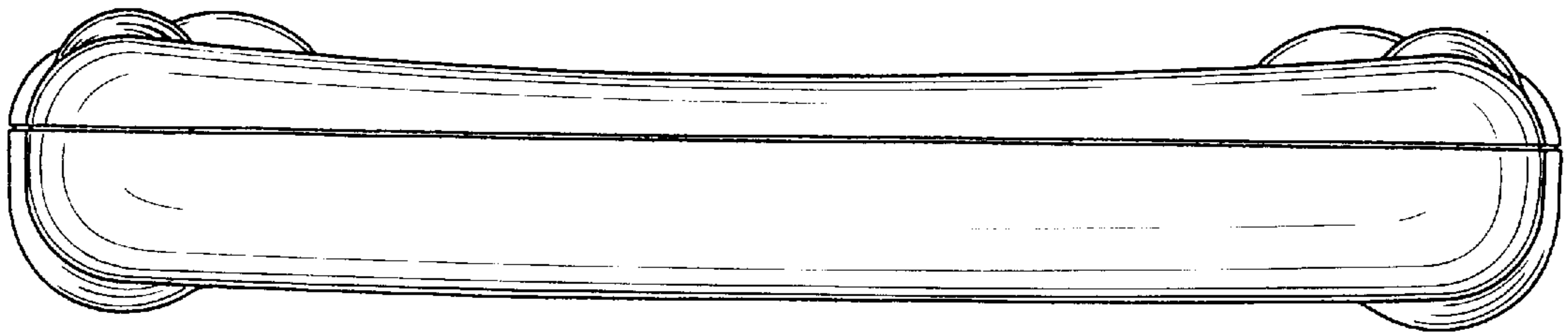


FIG. 4

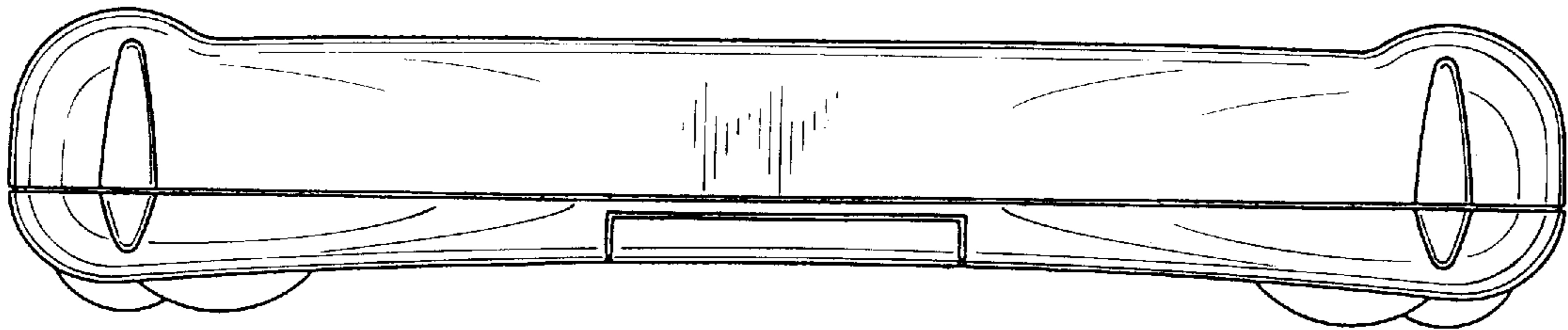


FIG. 5

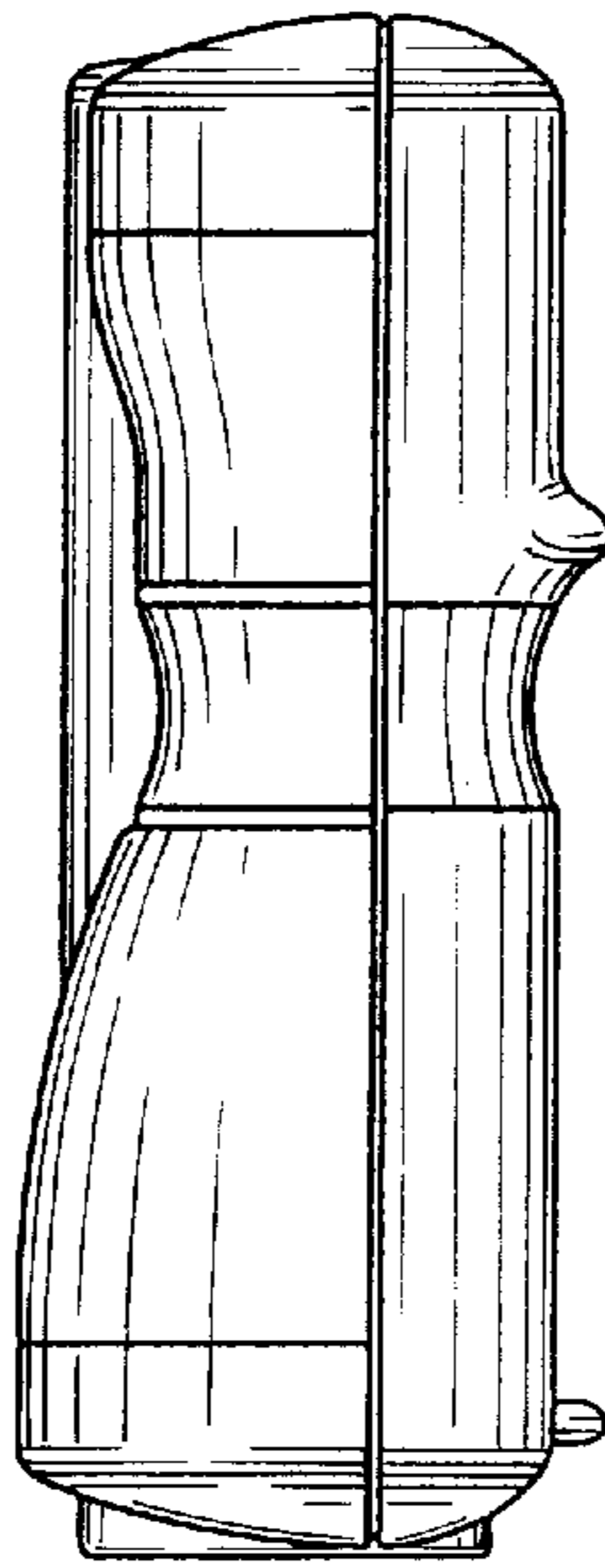


FIG. 6

