



US00D399151S

United States Patent [19]

Fisher et al.

[11] Patent Number: Des. 399,151

[45] Date of Patent: **Oct. 6, 1998

[54] ELECTRICAL TESTER

[75] Inventors: Steven W. Fisher, Edmonds; Edmond C. Eng, Kirkland, both of Wash.

[73] Assignee: Fluke Corporation, Everett, Wash.

[**] Term: 14 Years

[21] Appl. No.: 78,680

[22] Filed: Oct. 29, 1997

[51] LOC (6) Cl. 10-04

[52] U.S. Cl. D10/78; D10/79

[58] Field of Search D10/78, 79, 72.5; 324/110, 114, 115, 127, 149, 151 A, 151 R, 156, 158 F, 126; 336/175, 212

[56] References Cited

U.S. PATENT DOCUMENTS

D. 356,039	3/1995	Pecukonis et al.	D10/78
D. 367,431	2/1996	Omuro et al.	D10/78
4,259,635	3/1981	Triplett	324/149

Primary Examiner—Antoine Duval Davis

[57] CLAIM

The ornamental design for an electrical tester, as shown and described.

DESCRIPTION

FIG. 1 is a bottom, front, and right side perspective view of a first embodiment of an electrical tester showing our new design;

FIG. 2 is a front elevational view thereof;

FIG. 3 is a right side elevational view thereof;

FIG. 4 is a left side elevational view thereof;

FIG. 5 is a rear elevational view thereof;

FIG. 6 is a top plan view thereof;

FIG. 7 is a bottom plan view thereof;

FIG. 8 is a bottom, front, and right side perspective view of a second embodiment of the electrical tester showing our new design;

FIG. 9 is a front elevational view of the embodiment of FIG. 8;

FIG. 10 is a right side elevational view of the embodiment of FIG. 8;

FIG. 11 is a left side elevational view of the embodiment of FIG. 8;

FIG. 12 is a rear elevational view of the embodiment of FIG. 8;

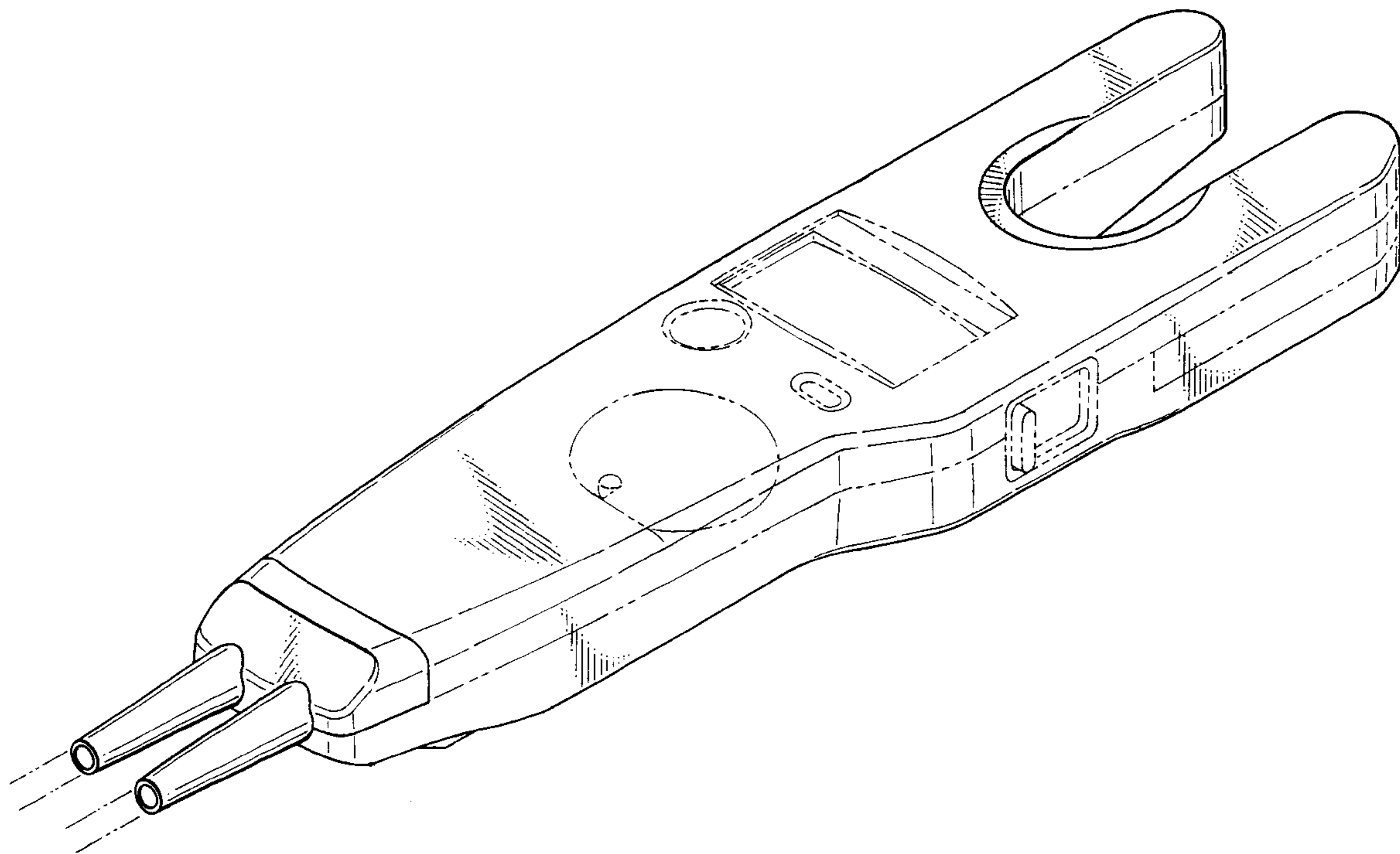
FIG. 13 is a top plan view of the embodiment of FIG. 8;

FIG. 14 is a bottom plan view of the embodiment of FIG. 8; and,

FIG. 15 is another front elevational view of the embodiment of FIG. 8 shown in an alternate condition.

The broken line showing in FIG. 1-7 is for illustrative purposes only and forms no part of the claimed design.

1 Claim, 9 Drawing Sheets



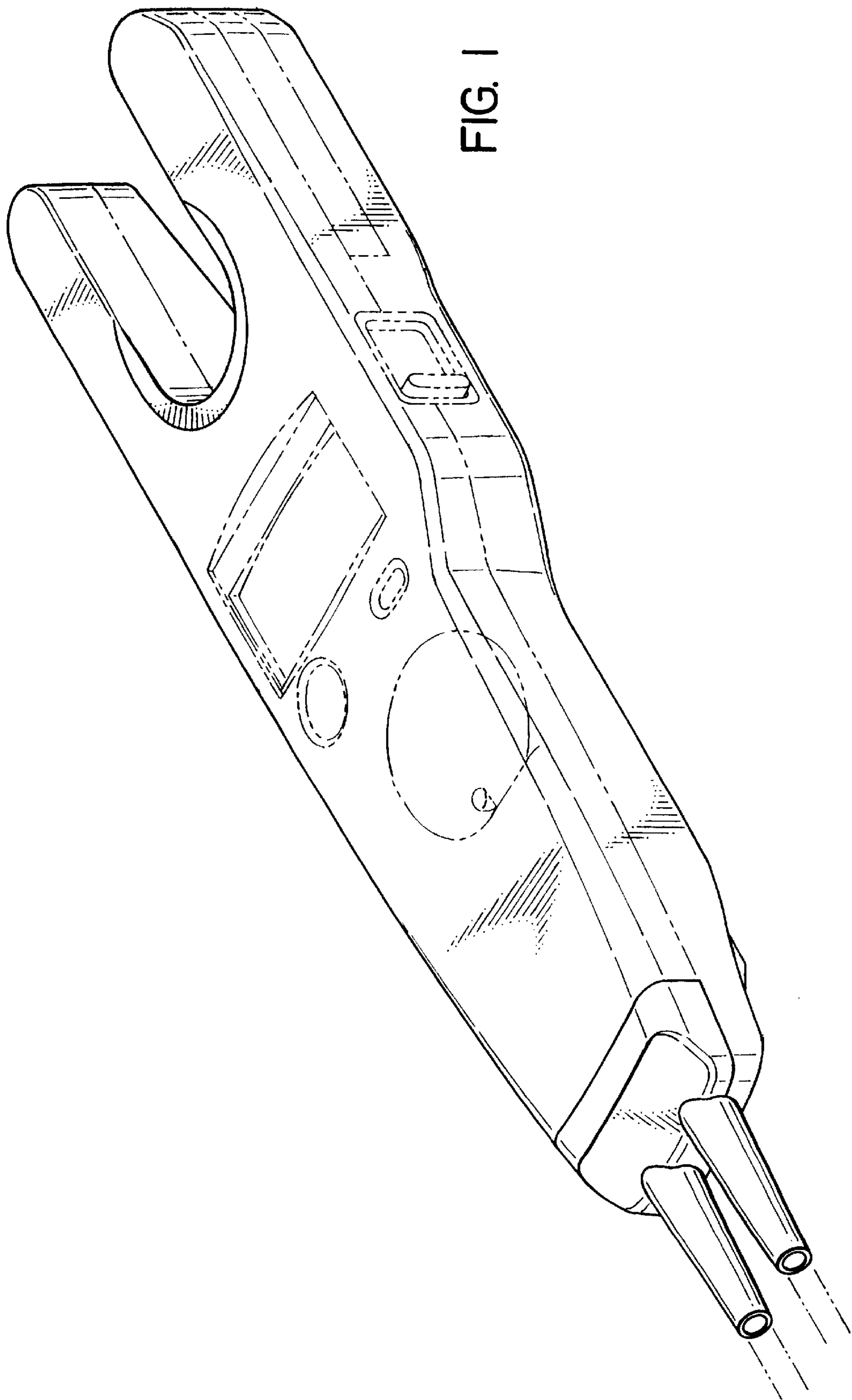


FIG. 1

FIG. 2

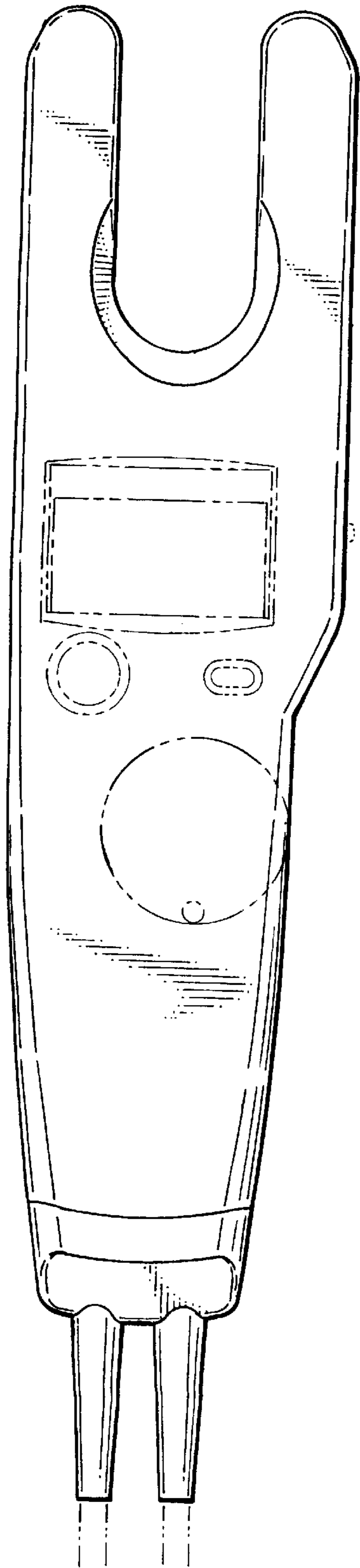


FIG. 3

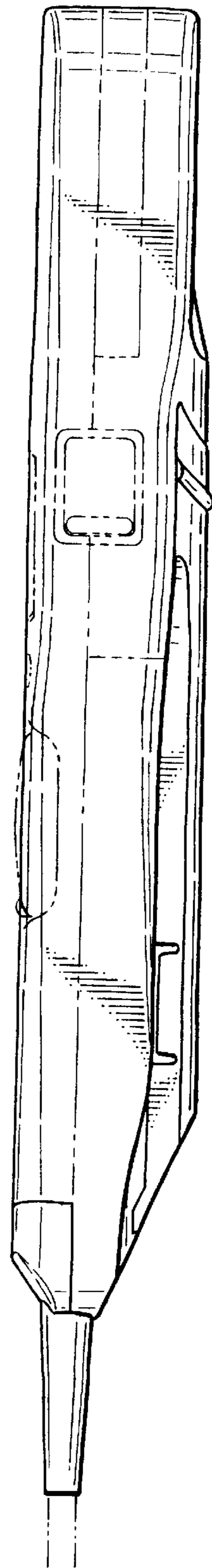


FIG. 4

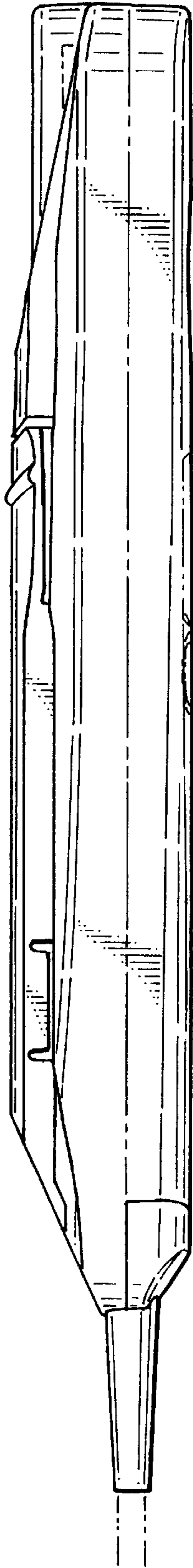


FIG. 5

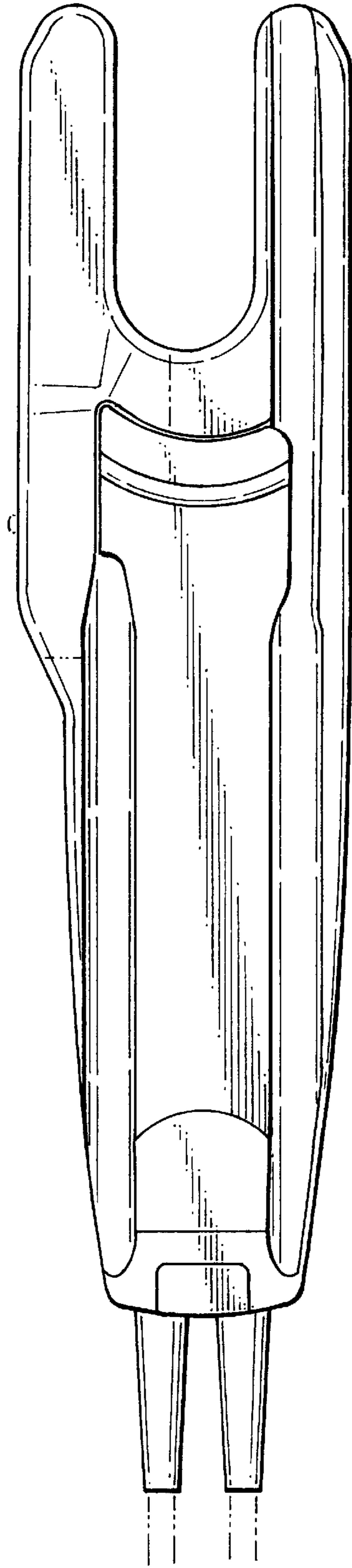


FIG. 6

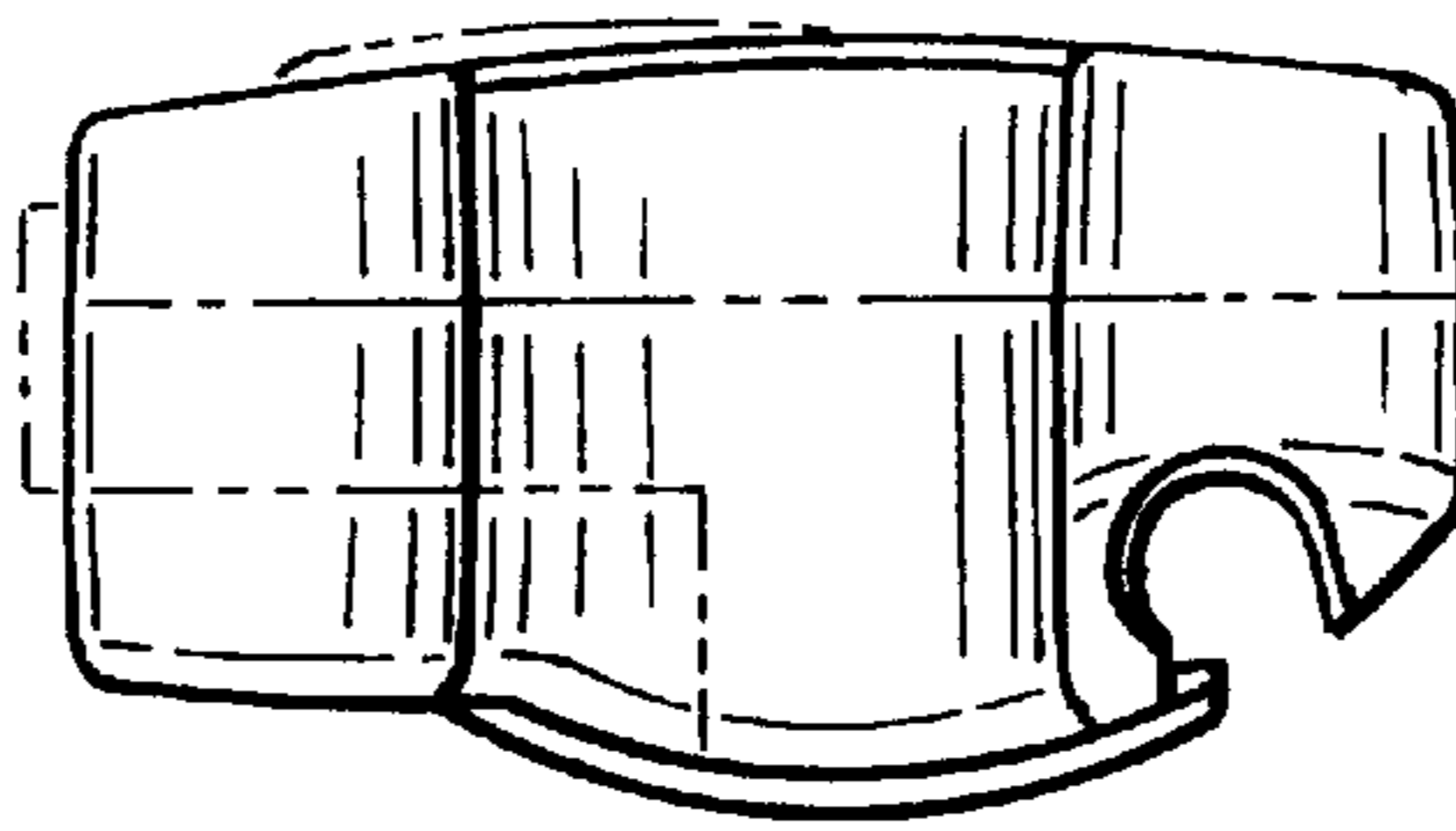
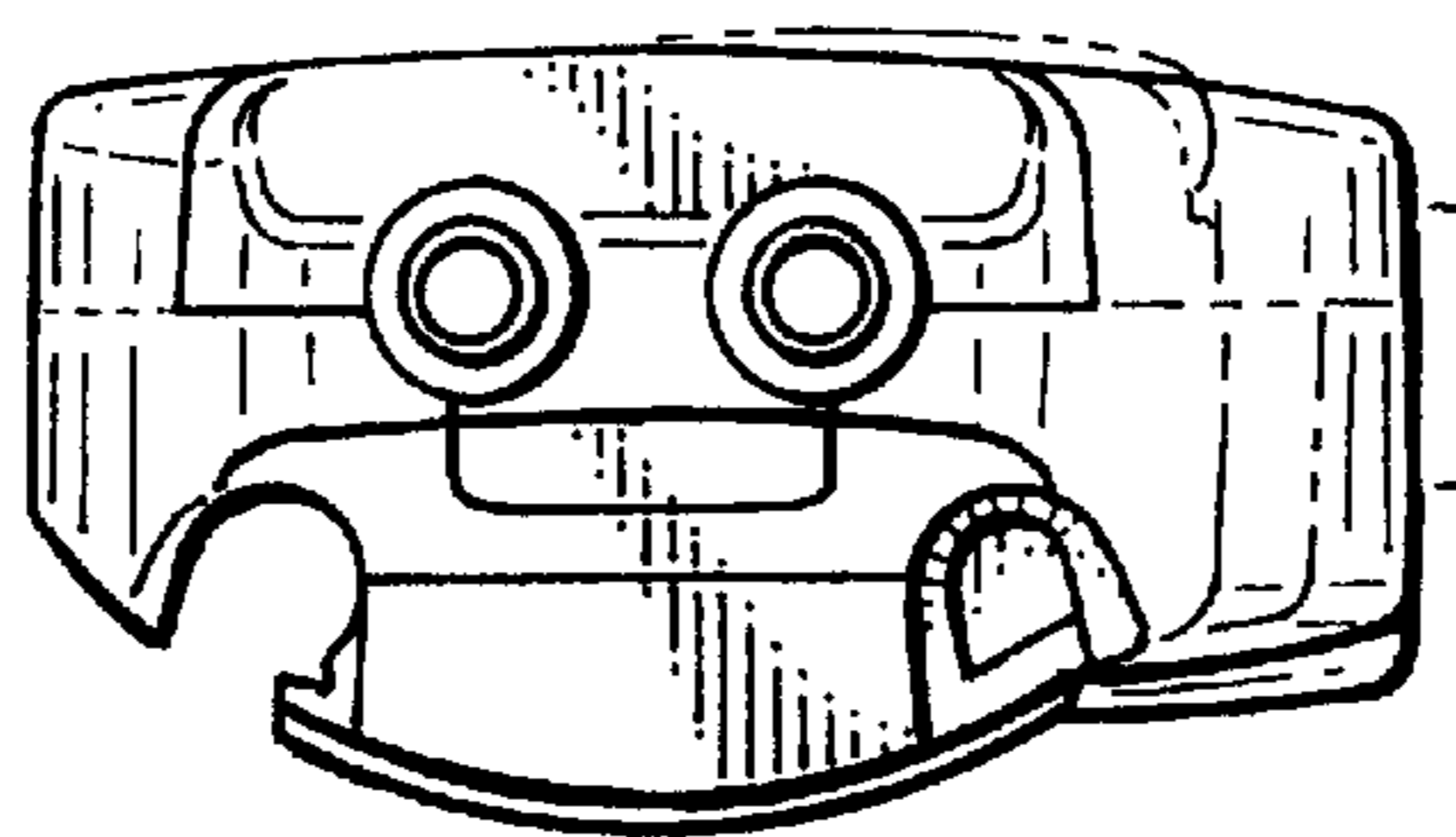


FIG. 7



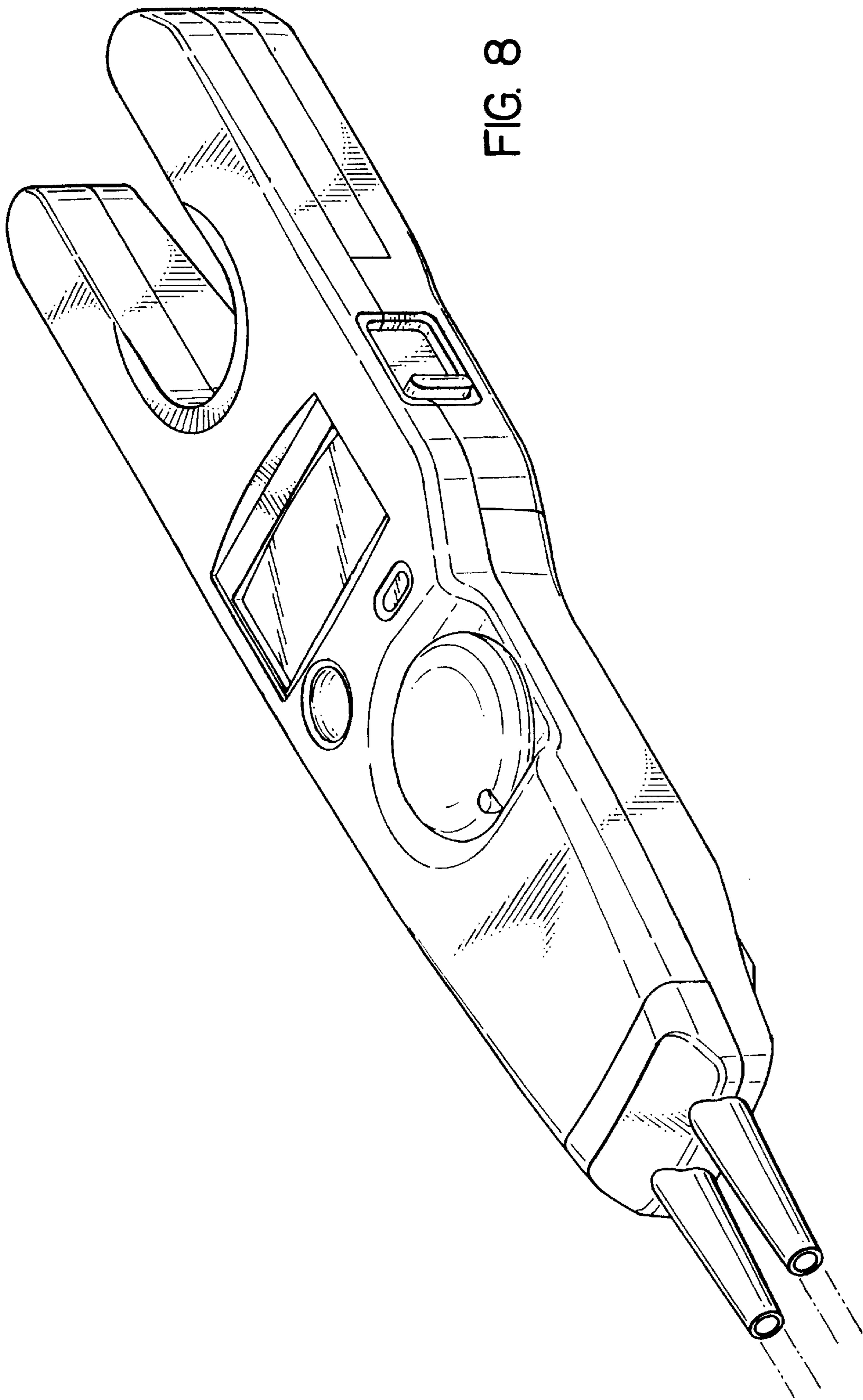


FIG. 8

FIG. 9

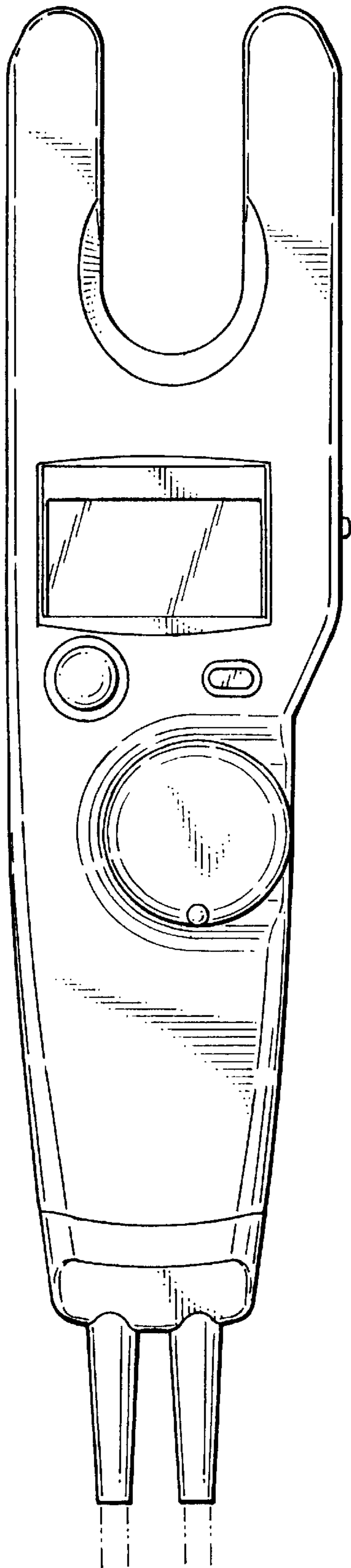


FIG. 10

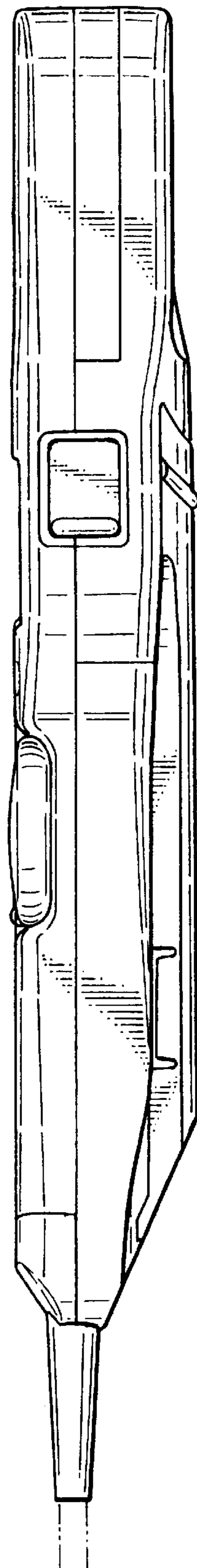


FIG. 11

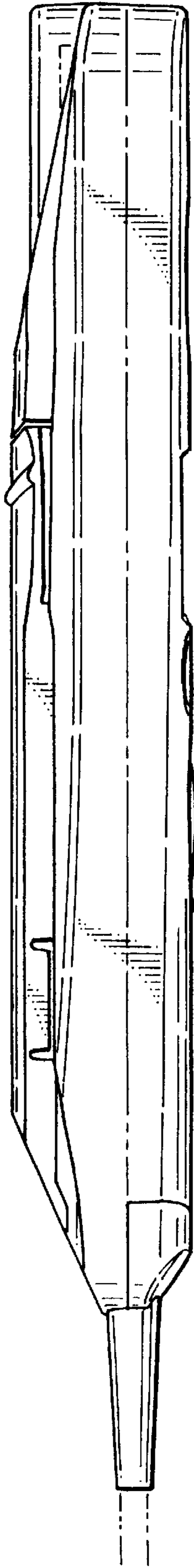


FIG. 12

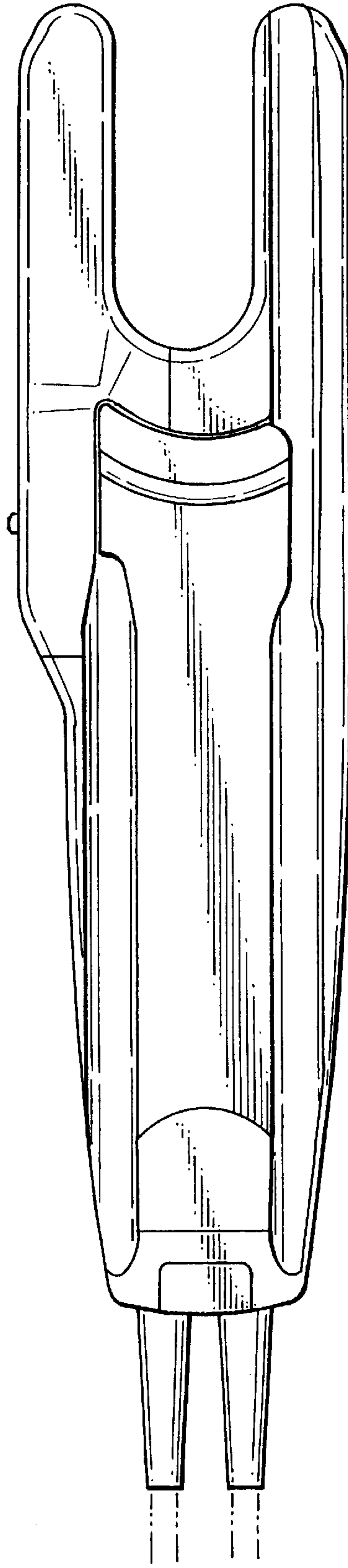


FIG. 13

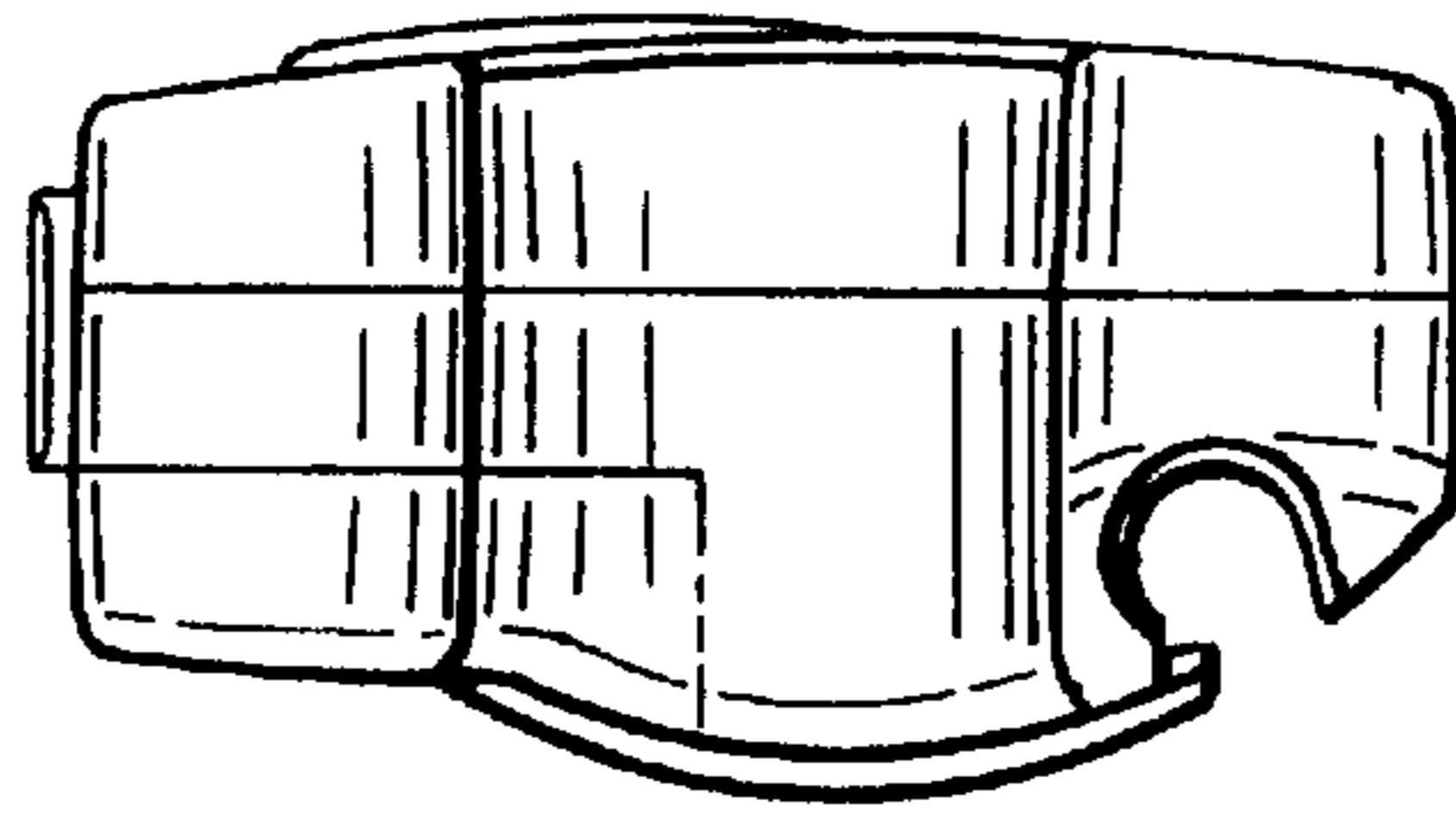


FIG. 14

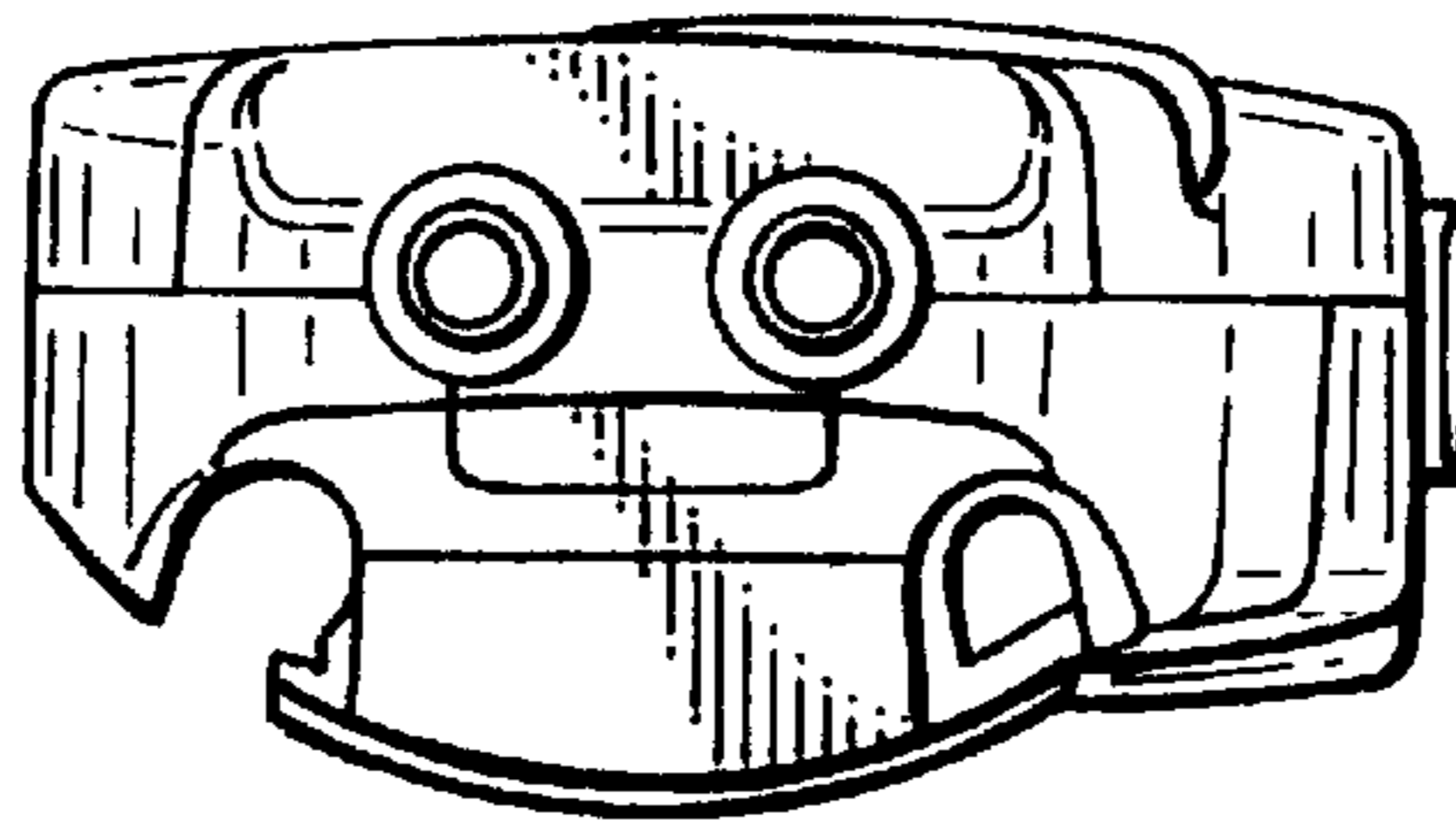


FIG. 15

