



US00D399147S

United States Patent [19]

Tang et al.

[11] Patent Number: Des. 399,147

[45] Date of Patent: **Oct. 6, 1998

[54] RULED BOX CUTTER

5,197,195 3/1993 Aikens 30/293

[76] Inventors: **Jow-Lin Tang**, 524 Green Acre Dr., Fullerton, Calif. 92635; **Wu-Hsiung Chung**, 3848 E. Mandeville Pl., Orange, Calif. 92667

Primary Examiner—Antoine Duval Davis
Attorney, Agent, or Firm—Curtis L. Harrington

[**] Term: 14 Years

[57] **CLAIM**
The ornamental design for a ruled box cutter, as shown and described.

[21] Appl. No.: 78,710

DESCRIPTION

[22] Filed: Oct. 31, 1997

FIG. 1 is a perspective view of the ruled box cutter with the ruled portion prominently shown;
FIG. 2 is a front view;
FIG. 3 is a rear view;
FIG. 4 is a top view;
FIG. 5 is a bottom view;
FIG. 6 is a left end view illustrating the cutter; and,
FIG. 7 is a right end view.

[51] LOC (6) Cl. 10-04

[52] U.S. Cl. D10/70; D10/71; D8/14

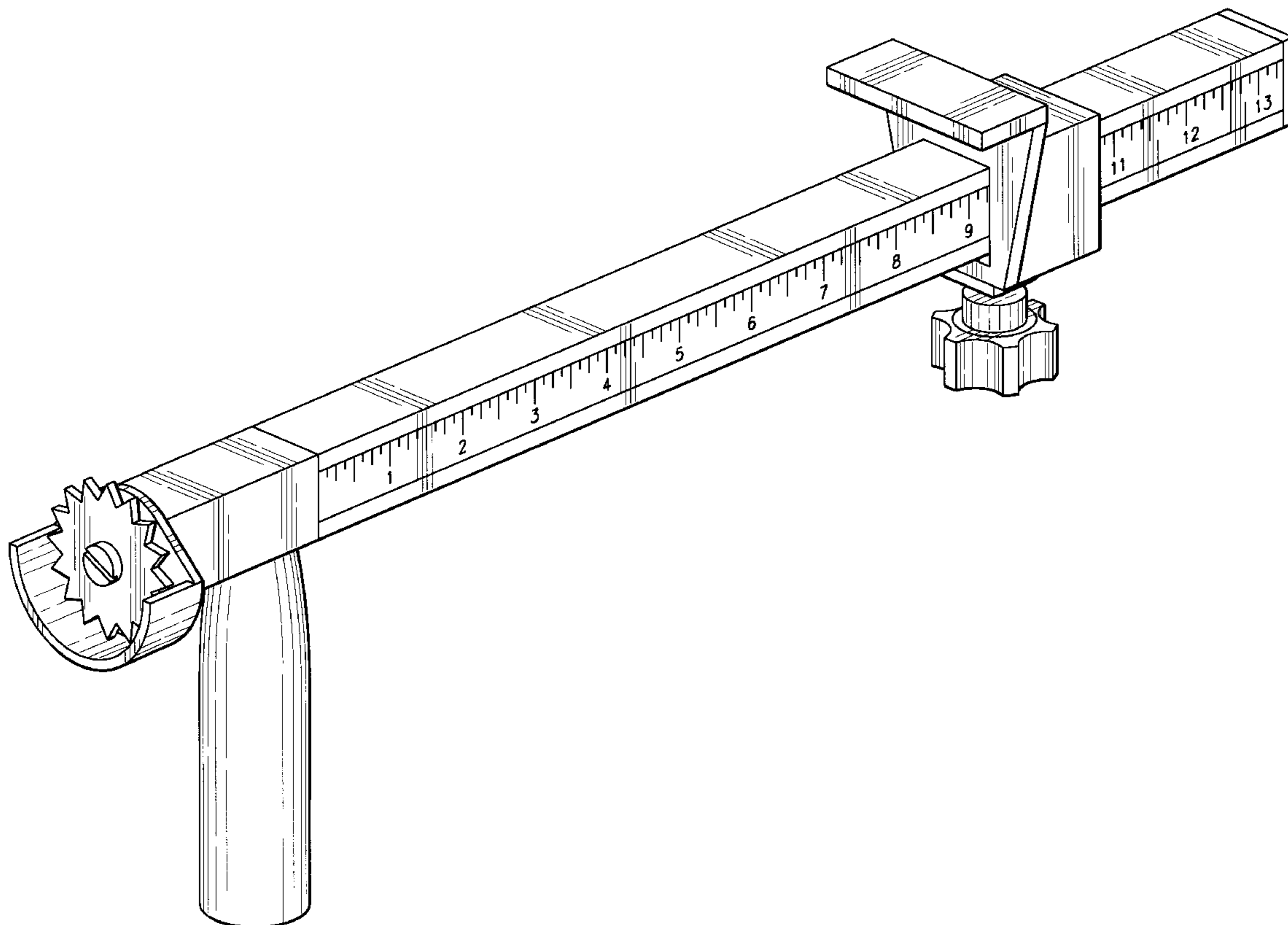
[58] Field of Search D10/70, 71; D8/14, D8/99; 30/280, 2, 290-294, 314

[56] References Cited

U.S. PATENT DOCUMENTS

D. 257,552 11/1980 Sobol D8/14

1 Claim, 4 Drawing Sheets



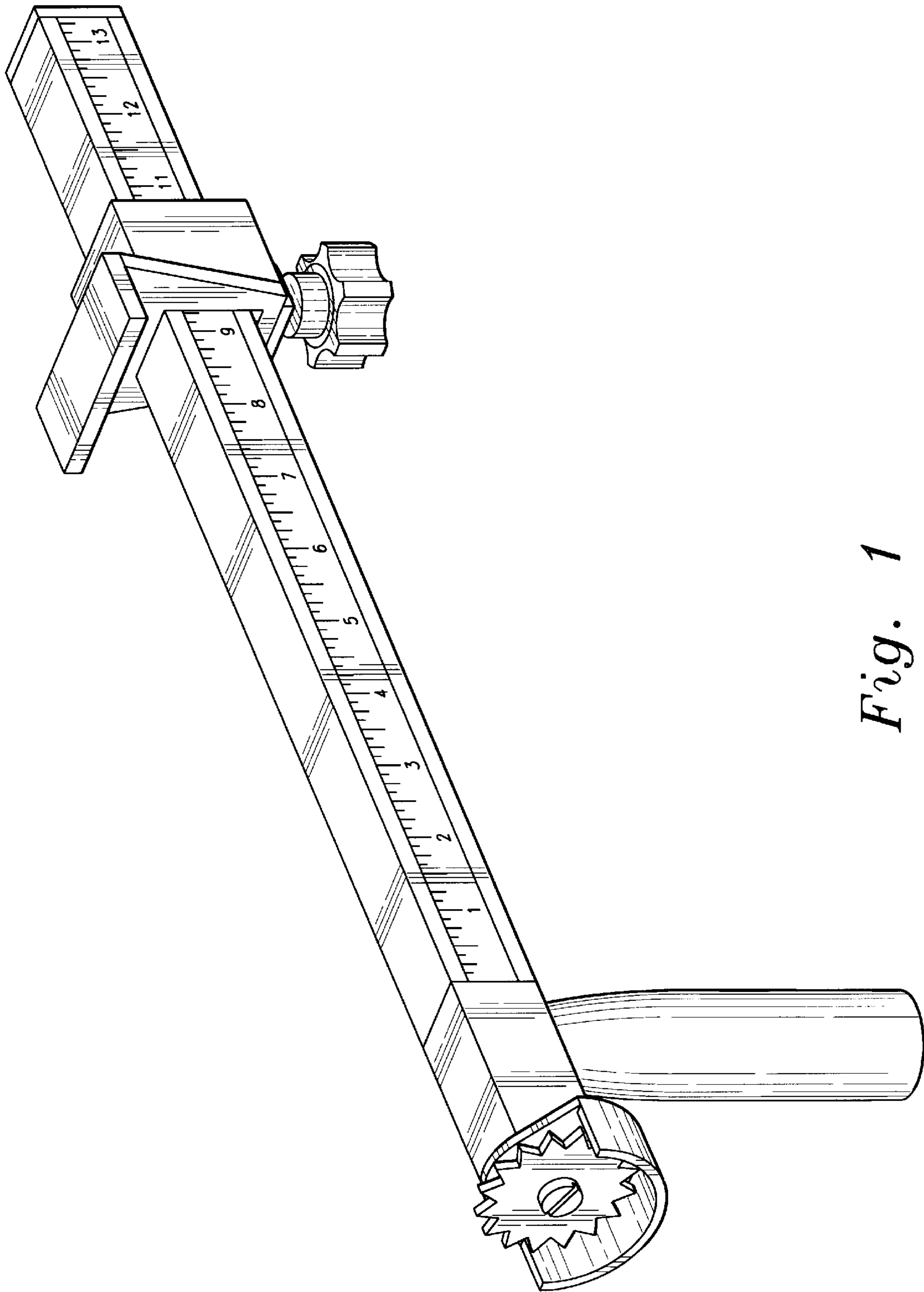


Fig. 1

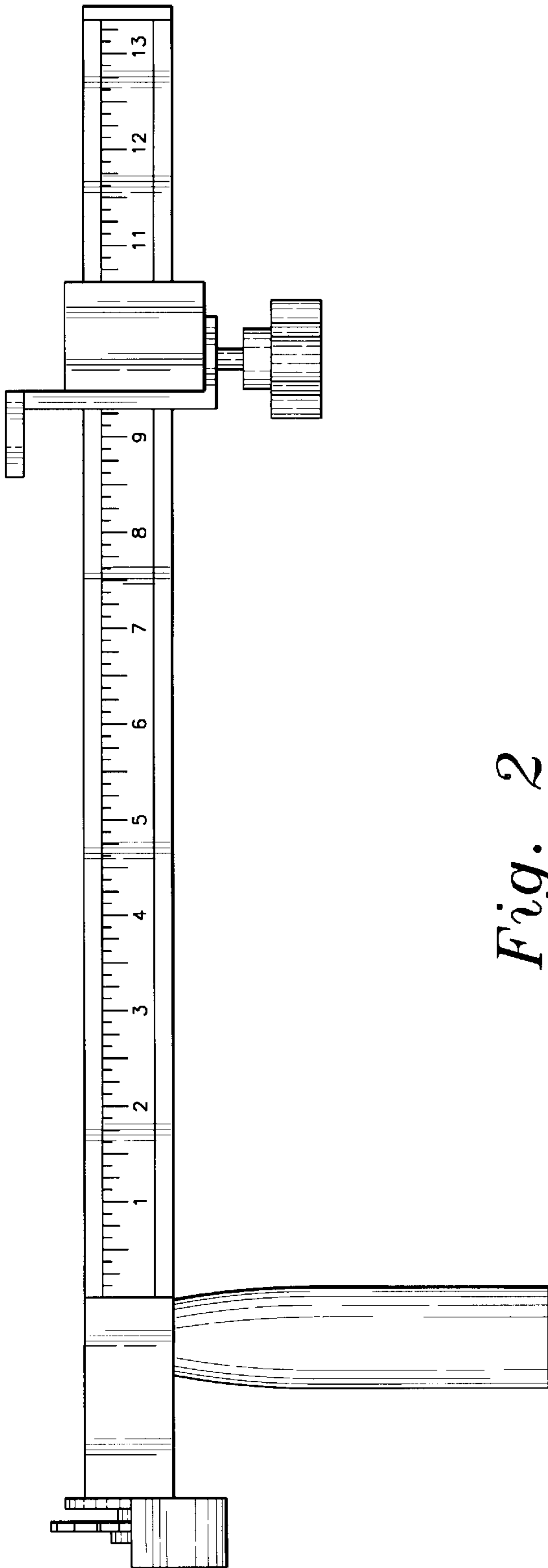


Fig. 2

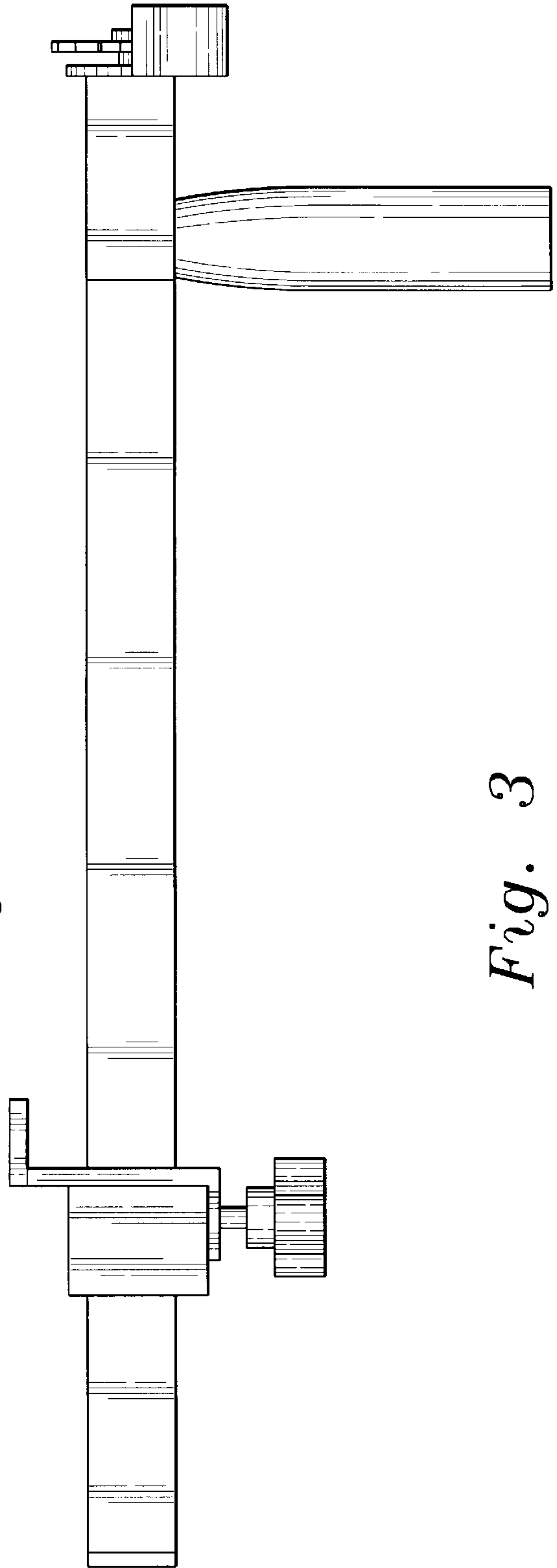


Fig. 3

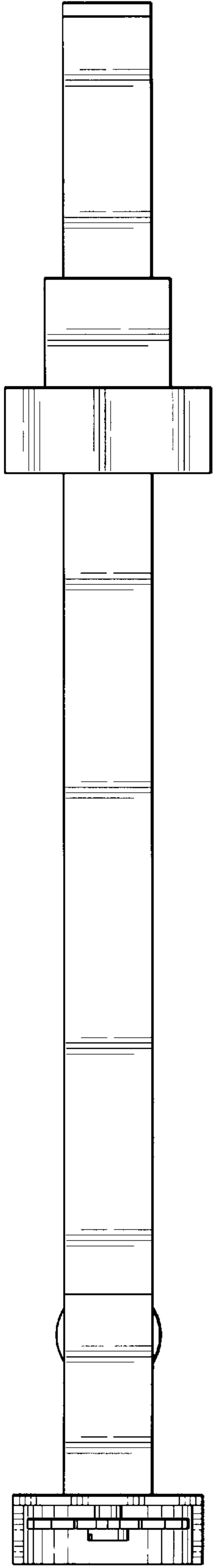


Fig. 4

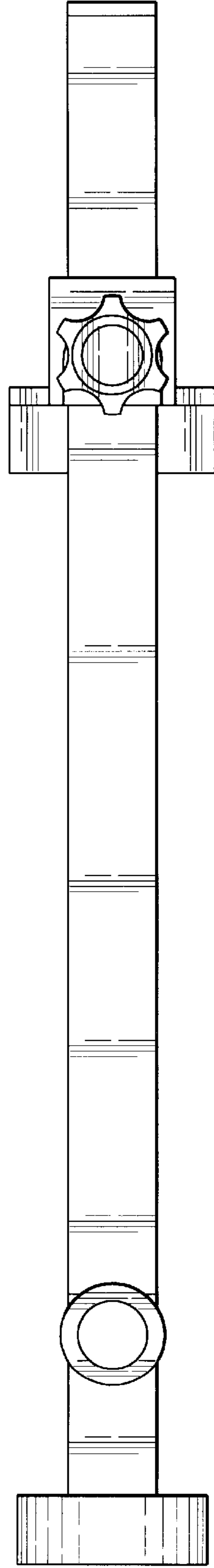


Fig. 5

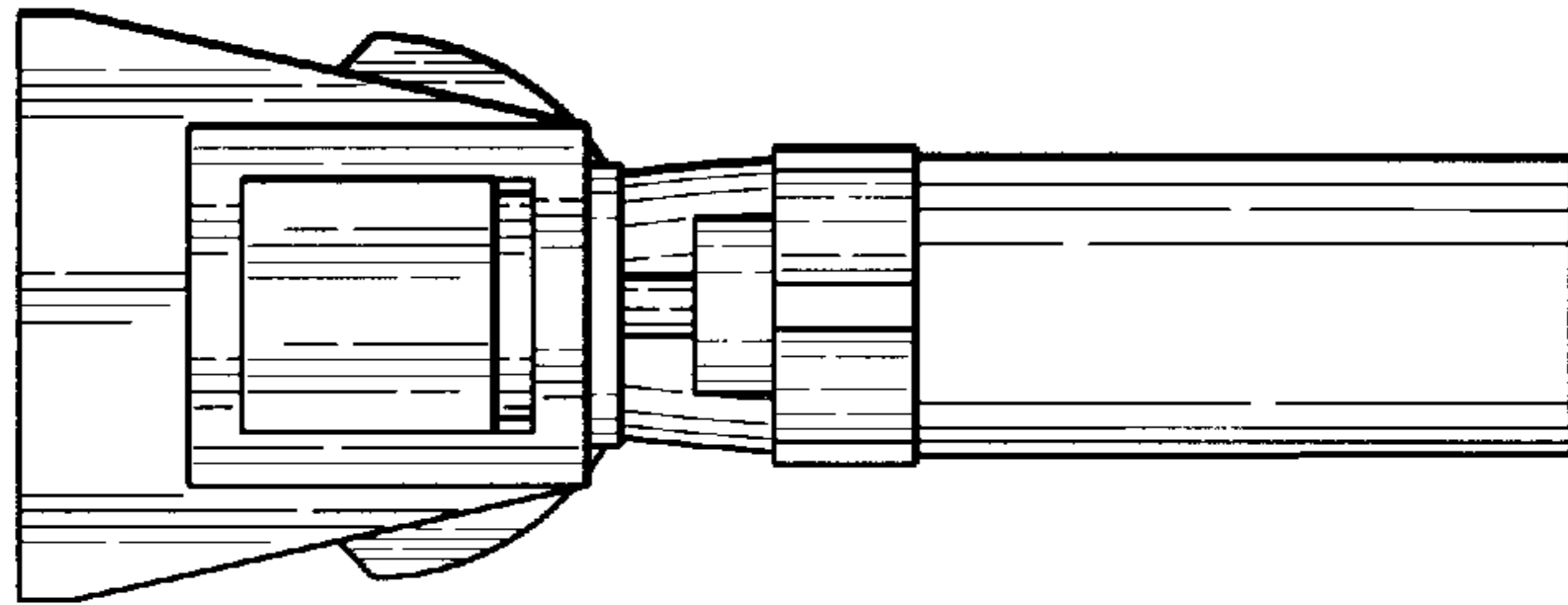


Fig. 7

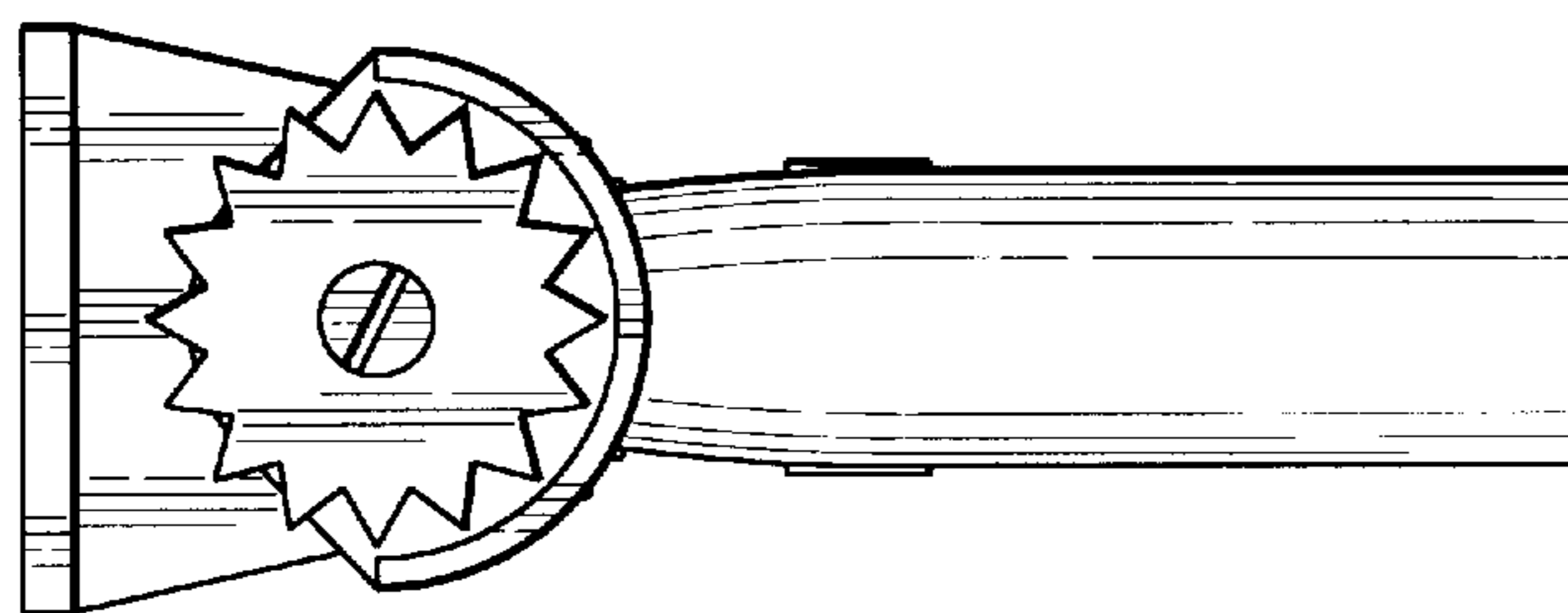


Fig. 6