



US00D399146S

# United States Patent [19]

[11] **Patent Number: Des. 399,146**

**Le Breton**

[45] **Date of Patent: \*\*Oct. 6, 1998**

[54] **HOUSING AND TRACKING WHEEL FOR A PRECISION MEASURING PEN**

WO 90/00787 1/1990 WIPO .

[76] Inventor: **Guy C. Le Breton**, 1008 N. Oak Park Ave., Oak Park, Ill. 60302

*Primary Examiner*—Antoine Duval Davis  
*Attorney, Agent, or Firm*—Browdy and Neimark

[\*\*] Term: **14 Years**

[57] **CLAIM**

The ornamental design for a housing and tracking wheel for a precision measuring pen, as shown and described.

[21] Appl. No.: **74,059**

[22] Filed: **Jul. 8, 1997**

### DESCRIPTION

[51] **LOC (6) Cl. .... 10-04**

[52] **U.S. Cl. .... D10/70**

[58] **Field of Search ..... D10/70; 33/773, 33/701, 780, 772, 775, 779, 706, 707**

FIG. 1 is a perspective view of a design for a precision measuring pen showing my design;  
FIG. 2 is a front elevation view thereof;  
FIG. 3 is a rear elevation view thereof;  
FIG. 4 is a left or right elevation view thereof;  
FIG. 5 is a top plan view thereof;  
FIG. 6 is a bottom plan view thereof;  
FIG. 7 is a perspective view of a design for a tracking wheel engaged in the housing thereof;  
FIG. 8 is a left or right elevation view of the tracking view of FIG. 7; and,  
FIG. 9 is a front or rear elevation view of the tracking wheel of FIG. 7.

### [56] **References Cited**

#### U.S. PATENT DOCUMENTS

D. 228,467	9/1973	Moskowwitz .....	D10/70
D. 242,775	12/1976	Williams, Jr. ....	D10/70
D. 367,822	3/1996	Grabcznski .....	D10/70
3,494,039	2/1970	Porter .	
4,760,647	8/1988	Gillis .	
5,067,249	11/1991	Terrigno .	
5,161,313	11/1992	Rijlaarsadam .	
5,485,682	1/1996	LeBreton .	
5,560,119	10/1996	LeBreton .	

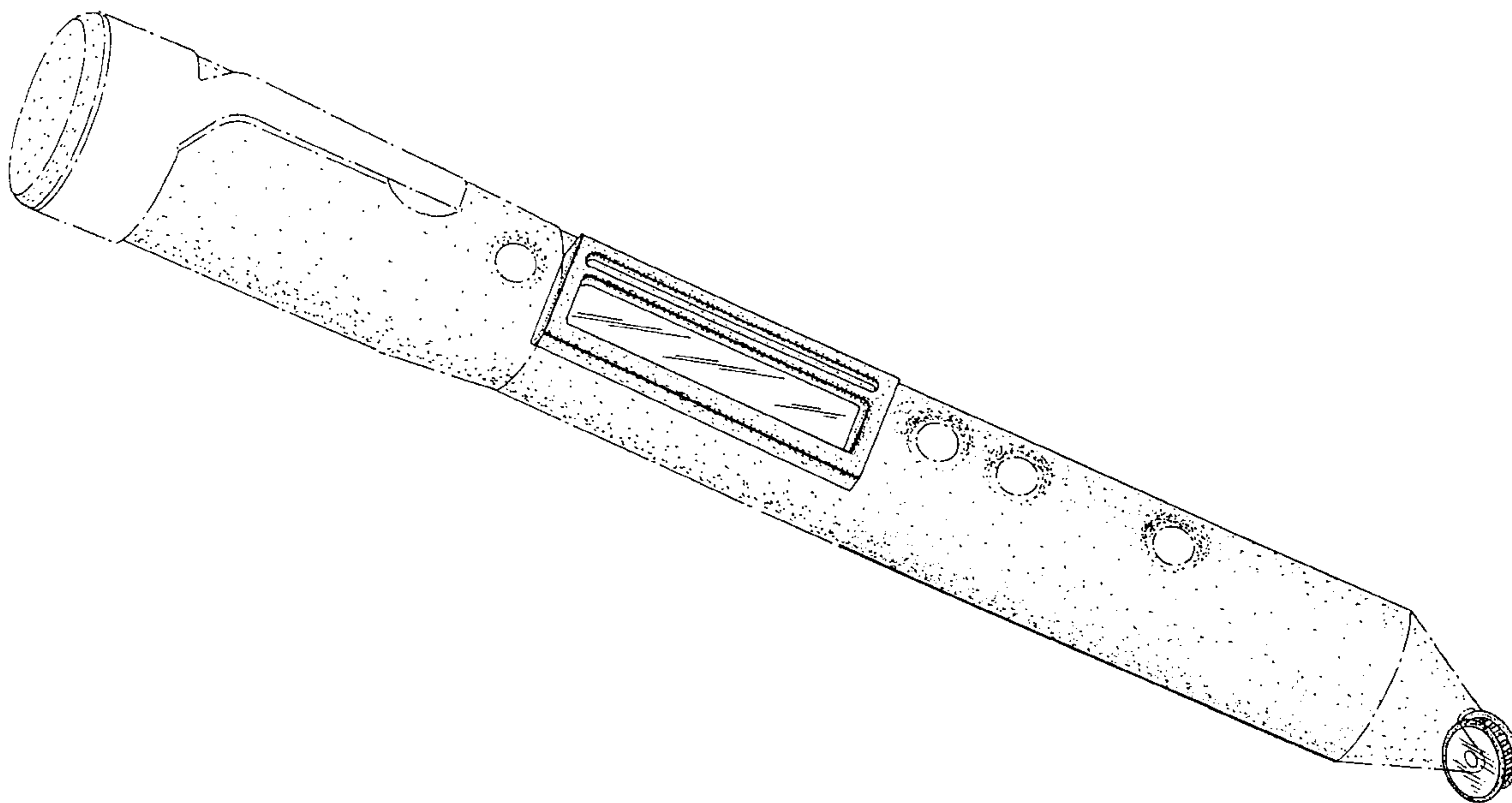
The broken lines shown in FIGS. 1, 2, 3, 4, 5, 6 and 7 are for illustrative purposes only and form no part of the claimed design.

#### FOREIGN PATENT DOCUMENTS

27 51 620	5/1978	Germany .
30 25 686	2/1982	Germany .
32 45 864	6/1984	Germany .
2 200 754	8/1988	United Kingdom .
WO 85/05175	11/1985	WIPO .

The characteristic feature of the present design provides for a tracking wheel with two rubber rings on an outer periphery of the tracking wheel with the tracking wheel being rotatably mounted at the lower end of the housing which is substantially cylindrical.

**1 Claim, 3 Drawing Sheets**



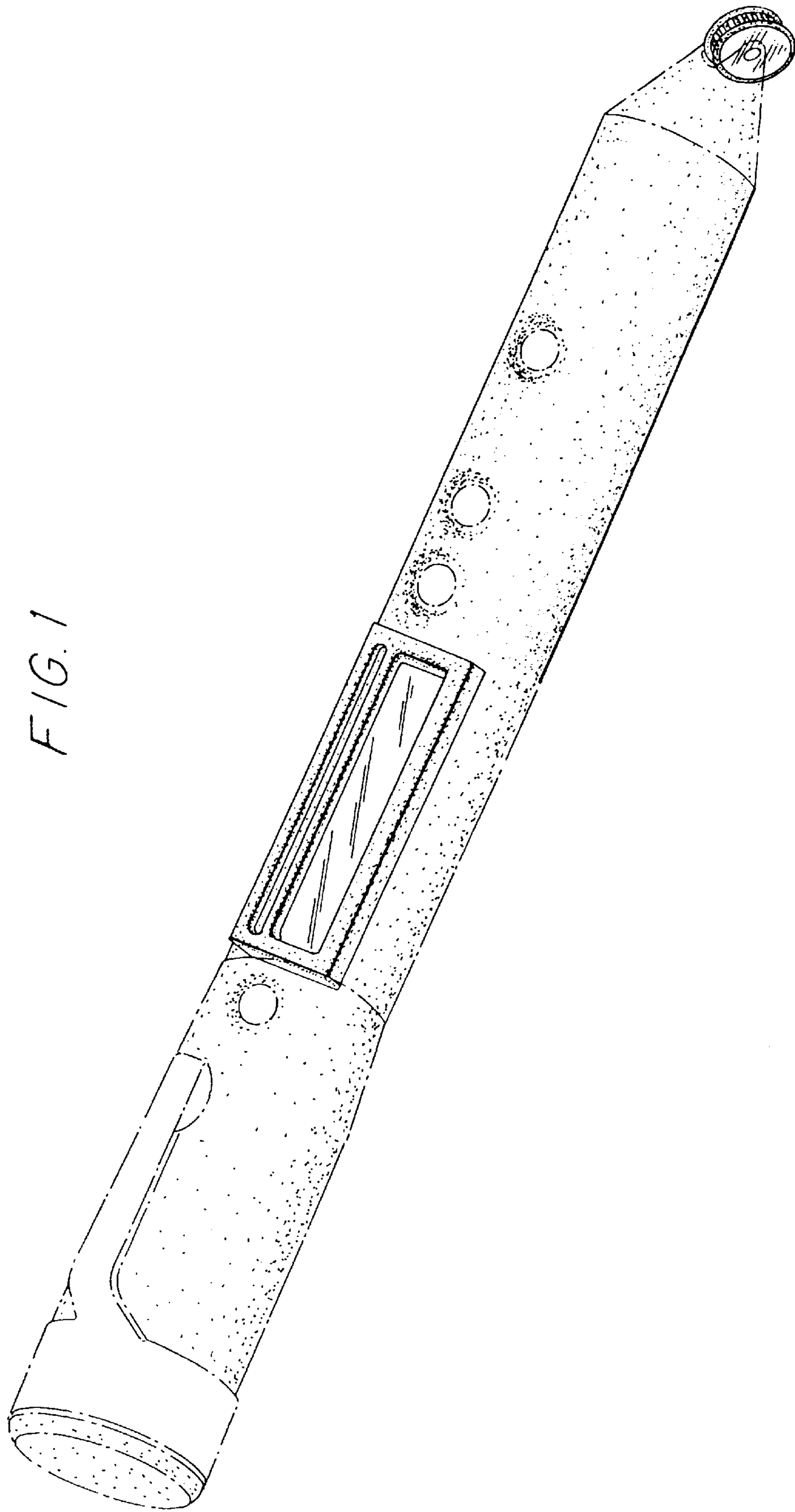


FIG. 1

FIG. 2

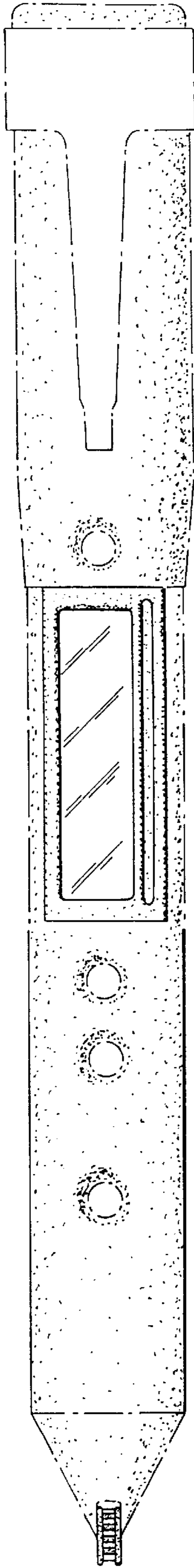


FIG. 3

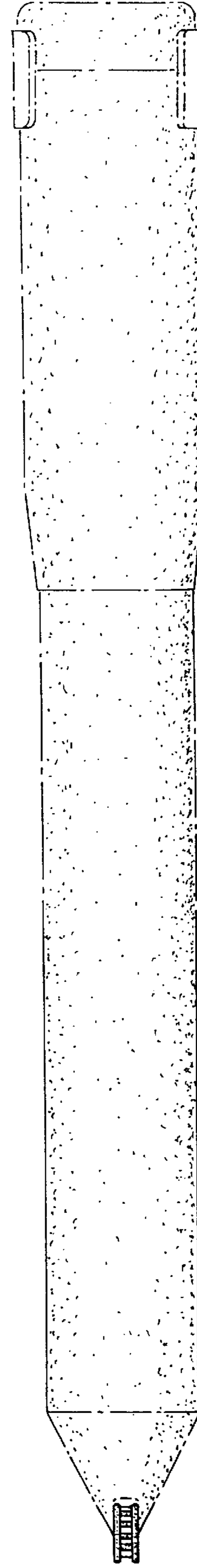


FIG. 4

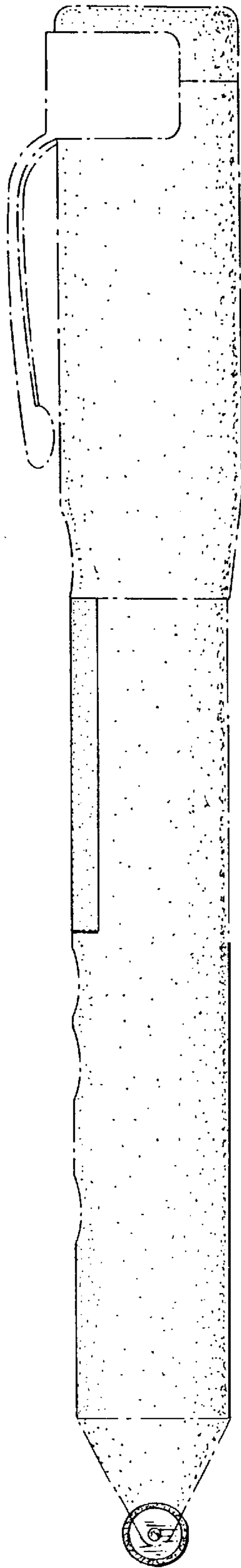


FIG. 5

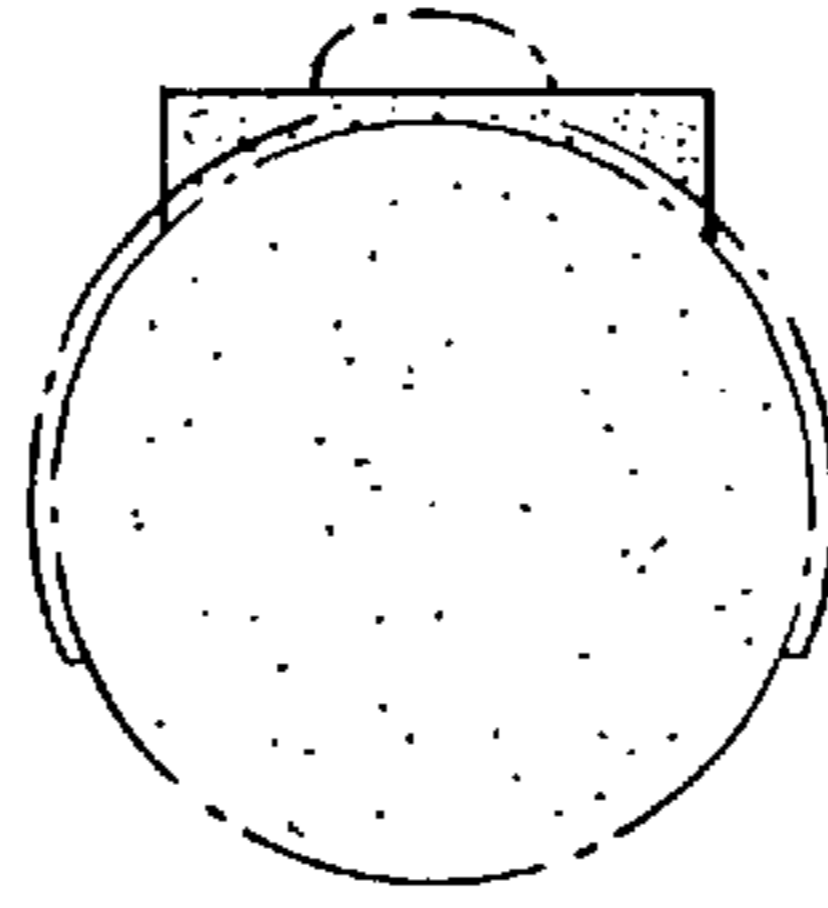


FIG. 6

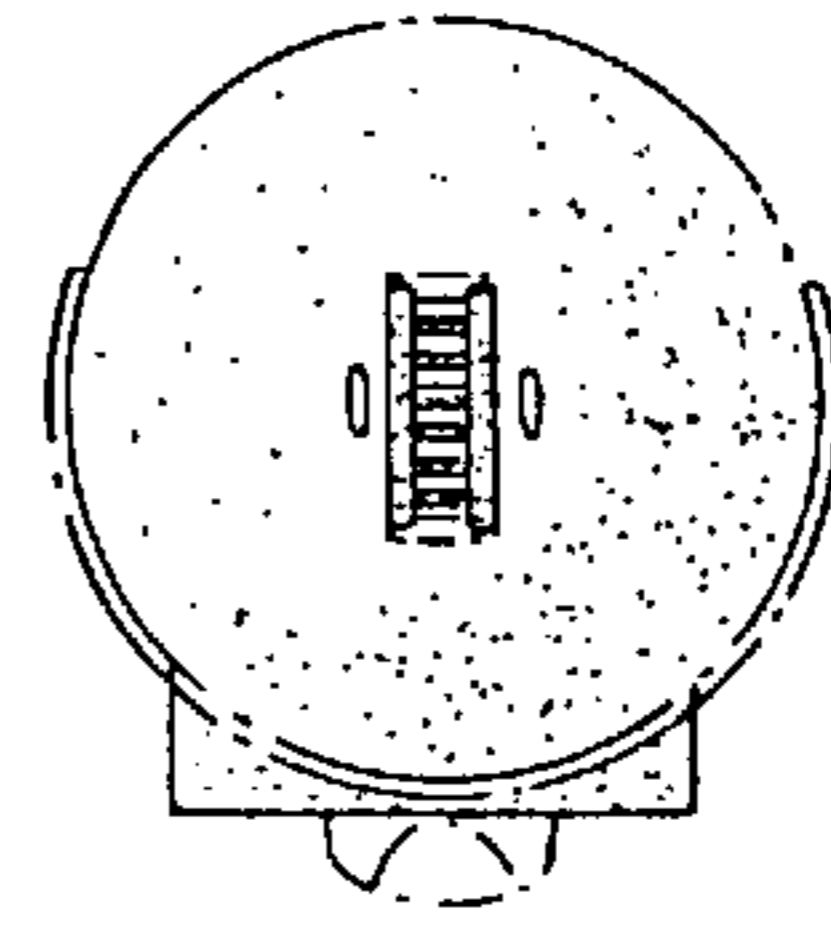


FIG. 7

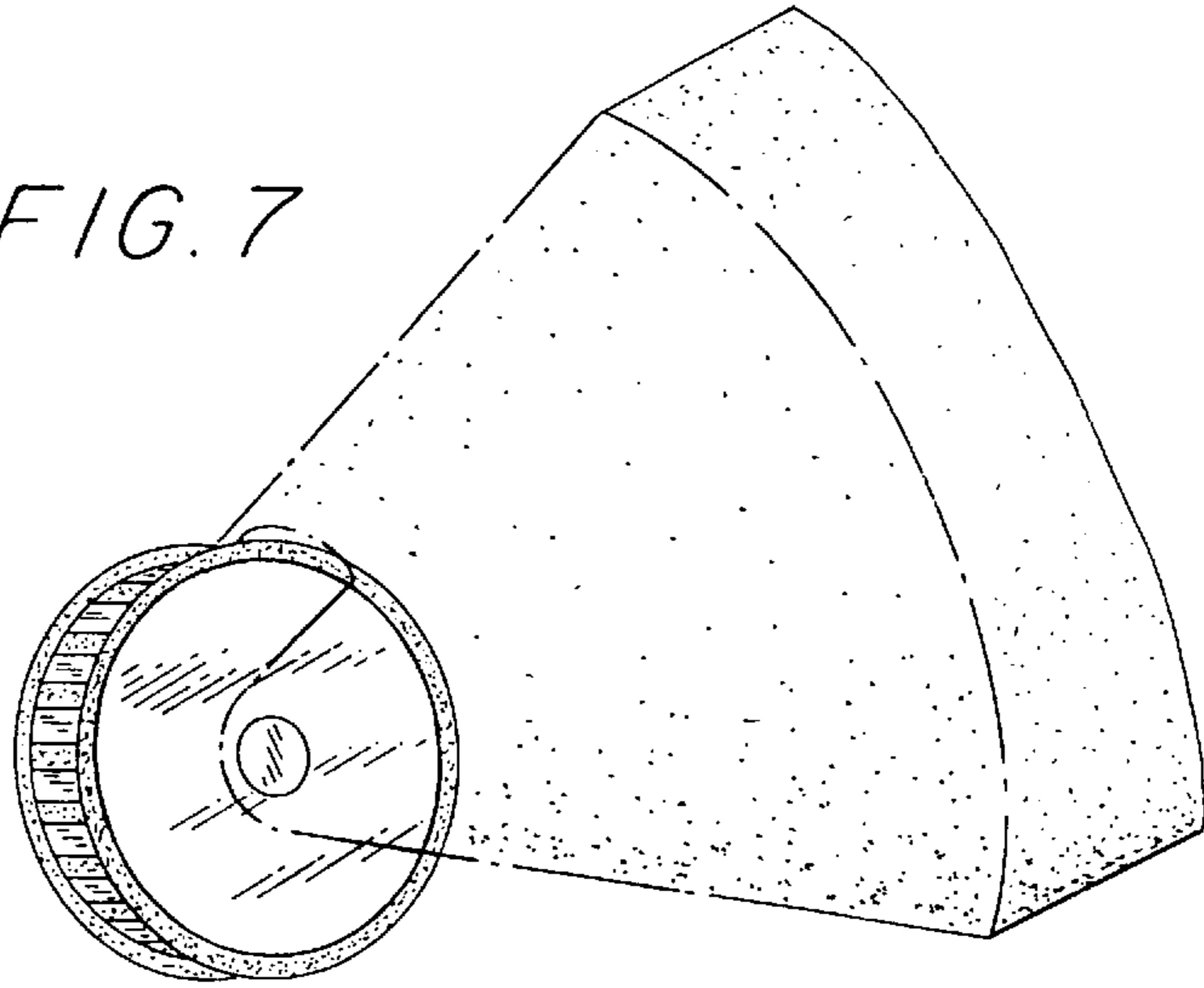


FIG. 8

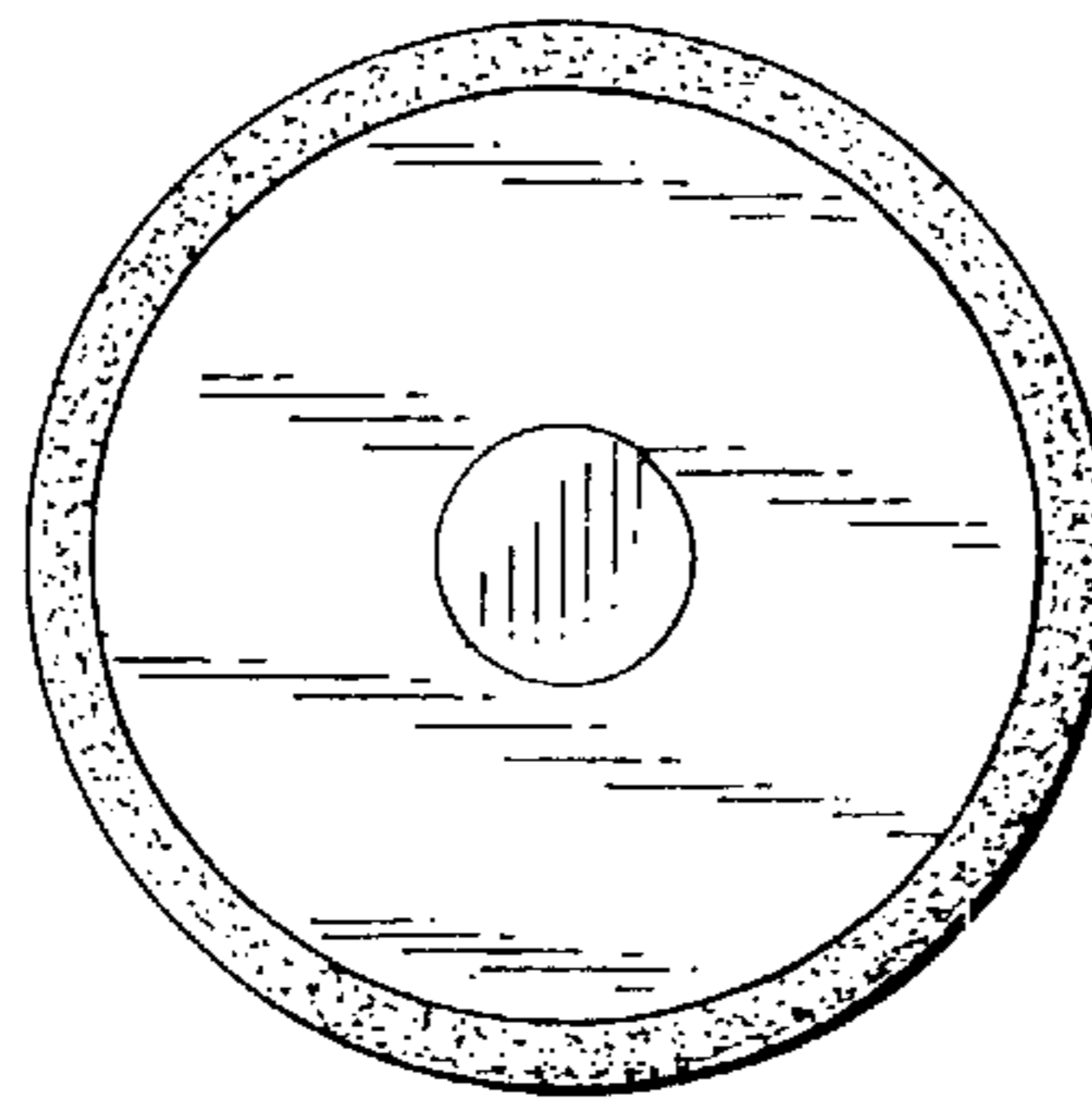


FIG. 9

