



US00D399145S

United States Patent [19]
Ho

[11] **Patent Number: Des. 399,145**

[45] **Date of Patent: **Oct. 6, 1998**

[54] **LASER INDICATOR**

[76] Inventor: **Ko-Liang Ho**, No. 305, Hua Cheng Rd., Hsinchuang, Taipei Hsien, Taiwan

[**] Term: **14 Years**

[21] Appl. No.: **74,800**

[22] Filed: **Aug. 12, 1997**

[51] **LOC (6) Cl. 10-04**

[52] **U.S. Cl. D10/69; D10/74**

[58] **Field of Search D10/69, 74; 33/365-390; 359/872; 362/116**

[56] **References Cited**

U.S. PATENT DOCUMENTS

5,552,886 9/1996 Kitajima et al. 33/291 X
5,621,975 4/1997 Rando 33/227

Primary Examiner—Antoine Duval Davis
Attorney, Agent, or Firm—Rosenberg, Klein & Bilker

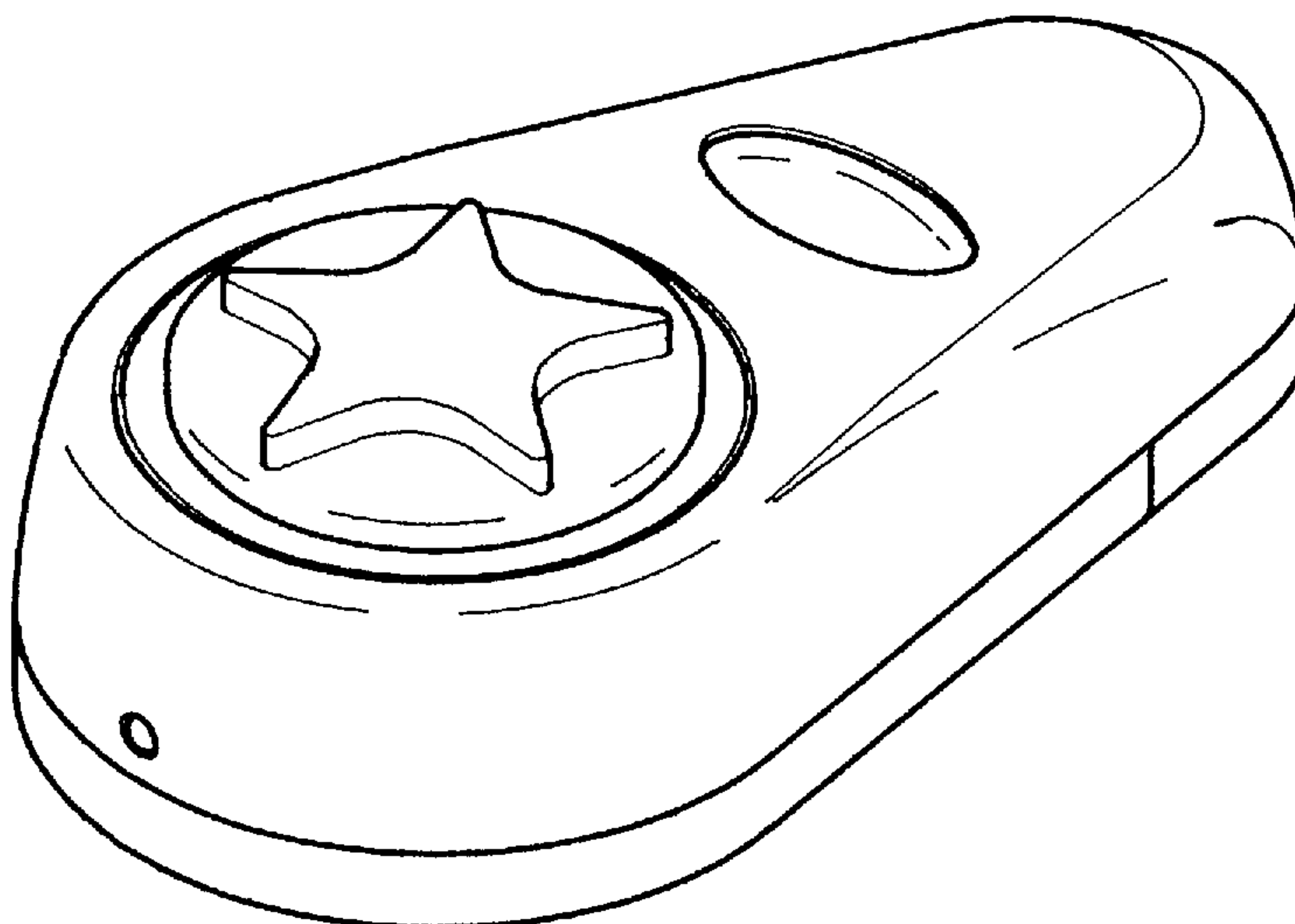
[57] **CLAIM**

The ornamental design for a “laser indicator,” as shown and described.

DESCRIPTION

FIG. 1 is the perspective view of a “laser indicator” showing my new design;
FIG. 2 is the front elevational view thereof;
FIG. 3 is the rear elevational view thereof;
FIG. 4 is the left side elevational view thereof;
FIG. 5 is the right side elevational view thereof;
FIG. 6 is the top plan view thereof; and,
FIG. 7 is the bottom plan view thereof.

1 Claim, 4 Drawing Sheets



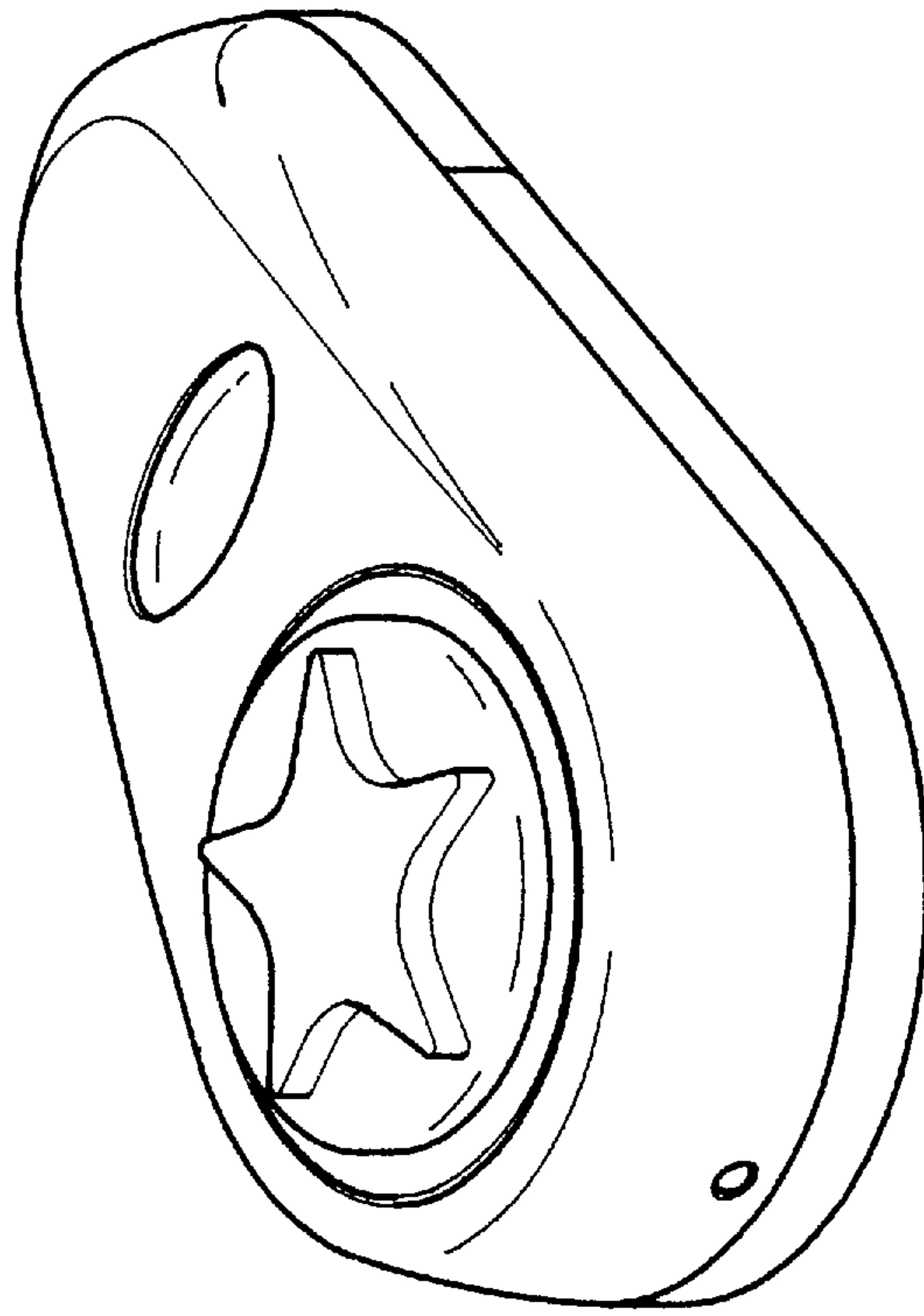


FIG. 1

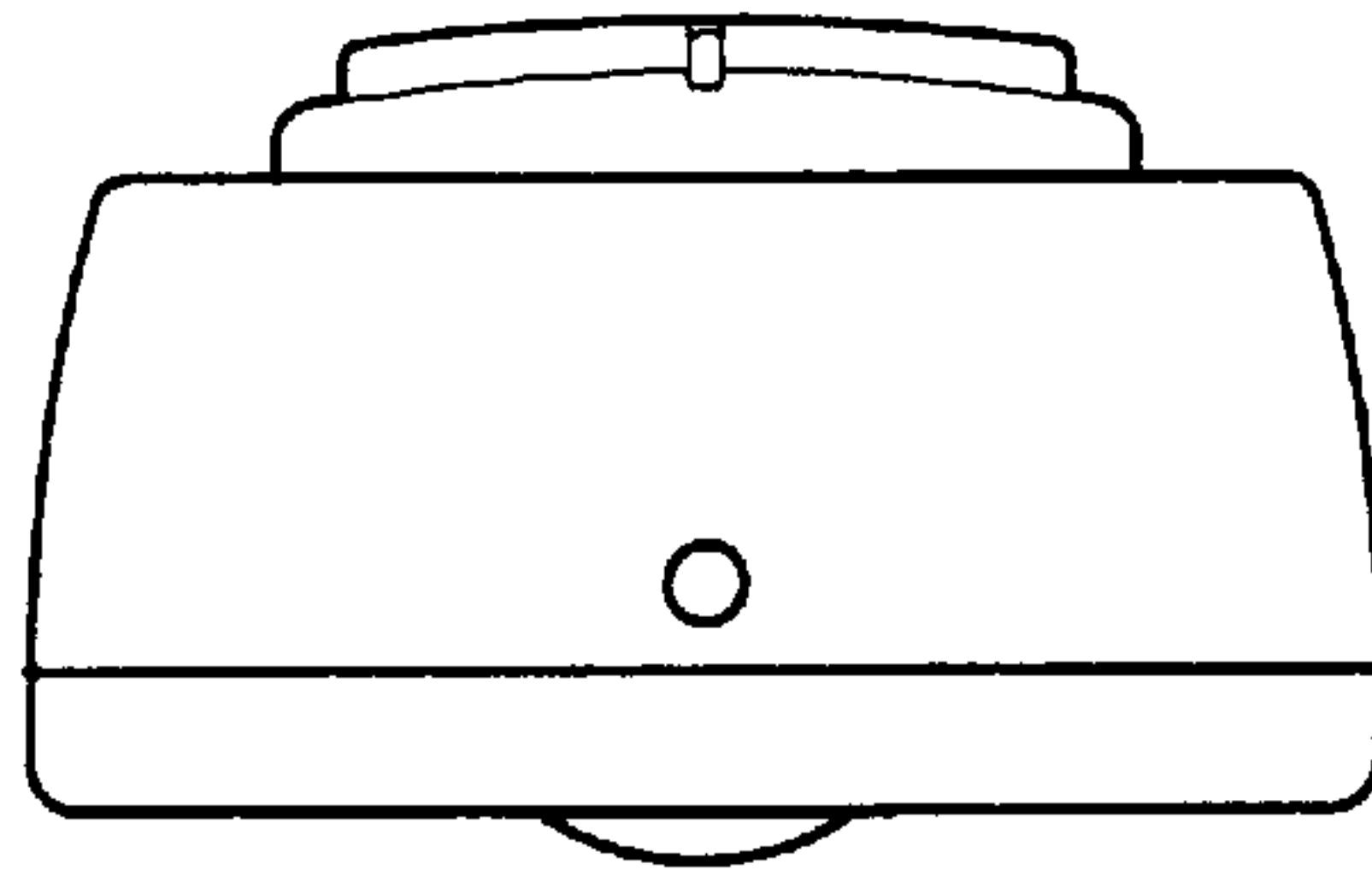


FIG. 2

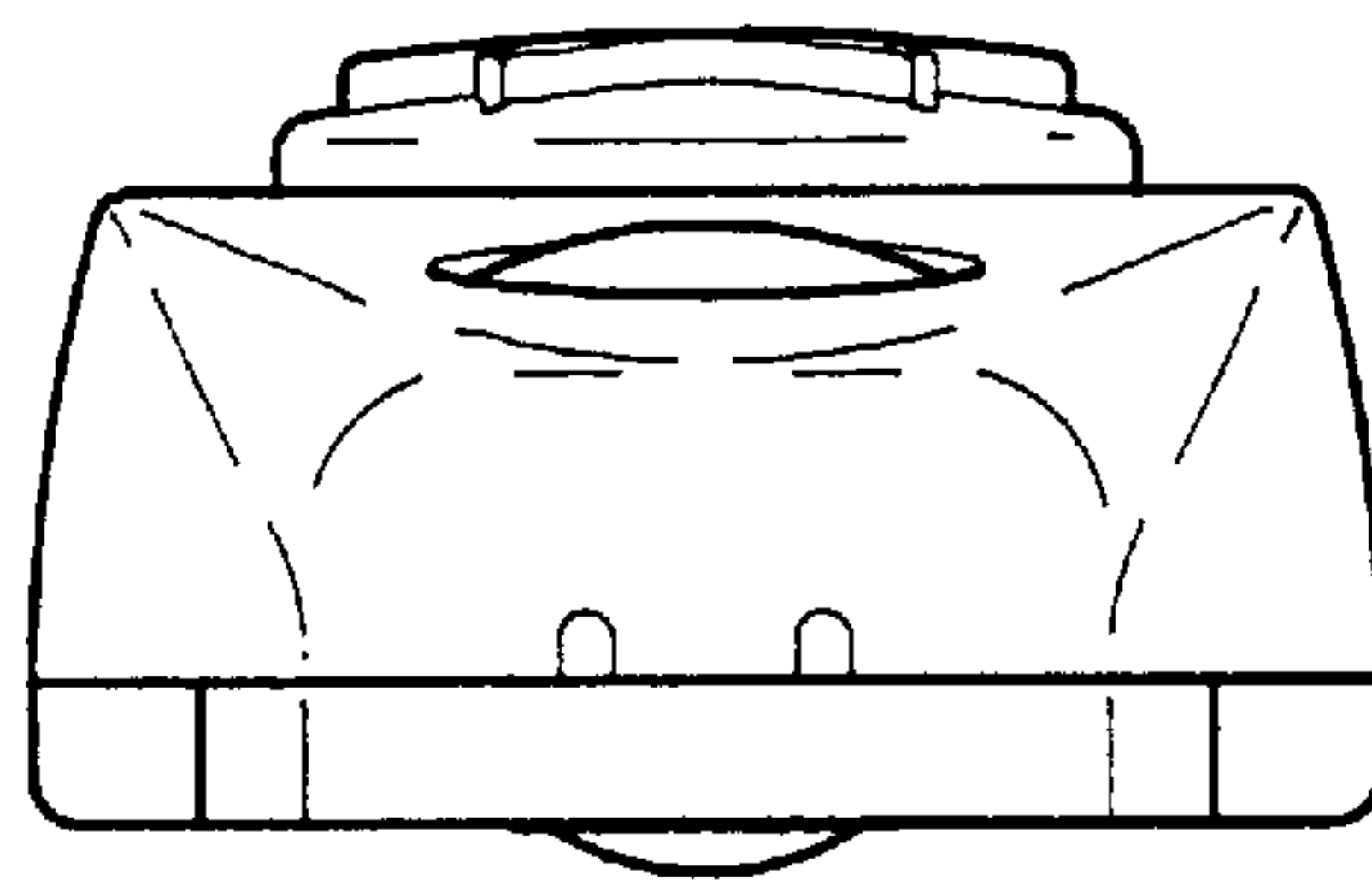


FIG. 3

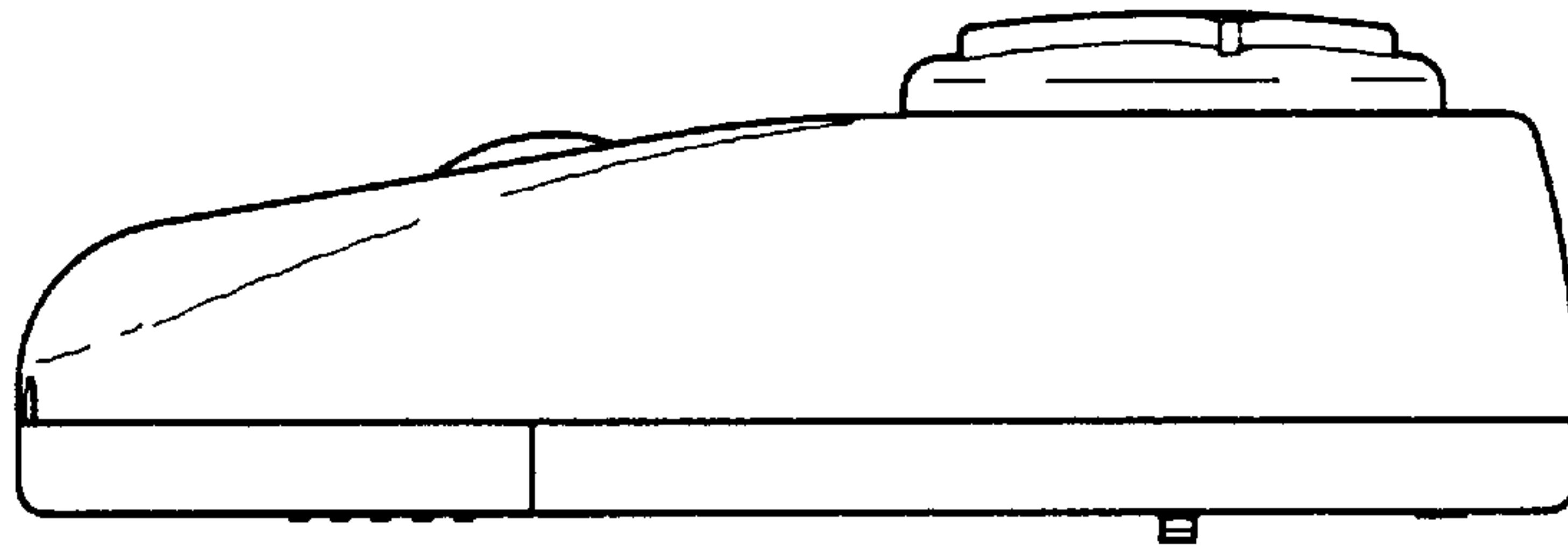


FIG. 4

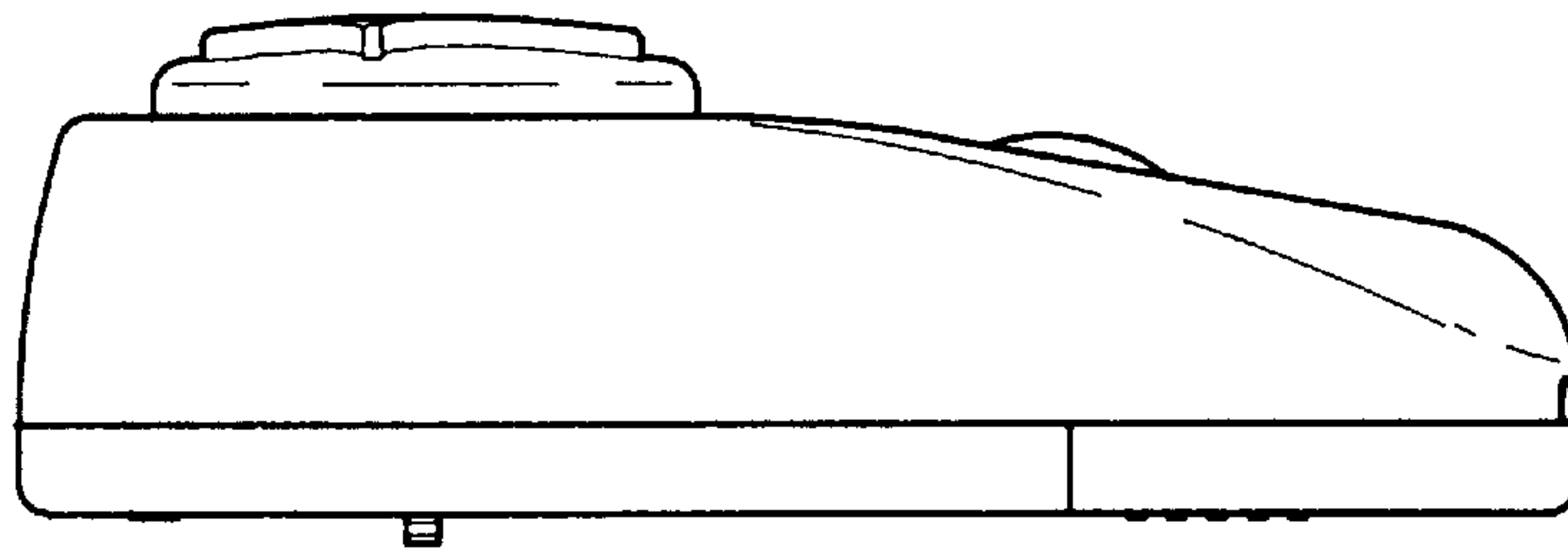


FIG. 5

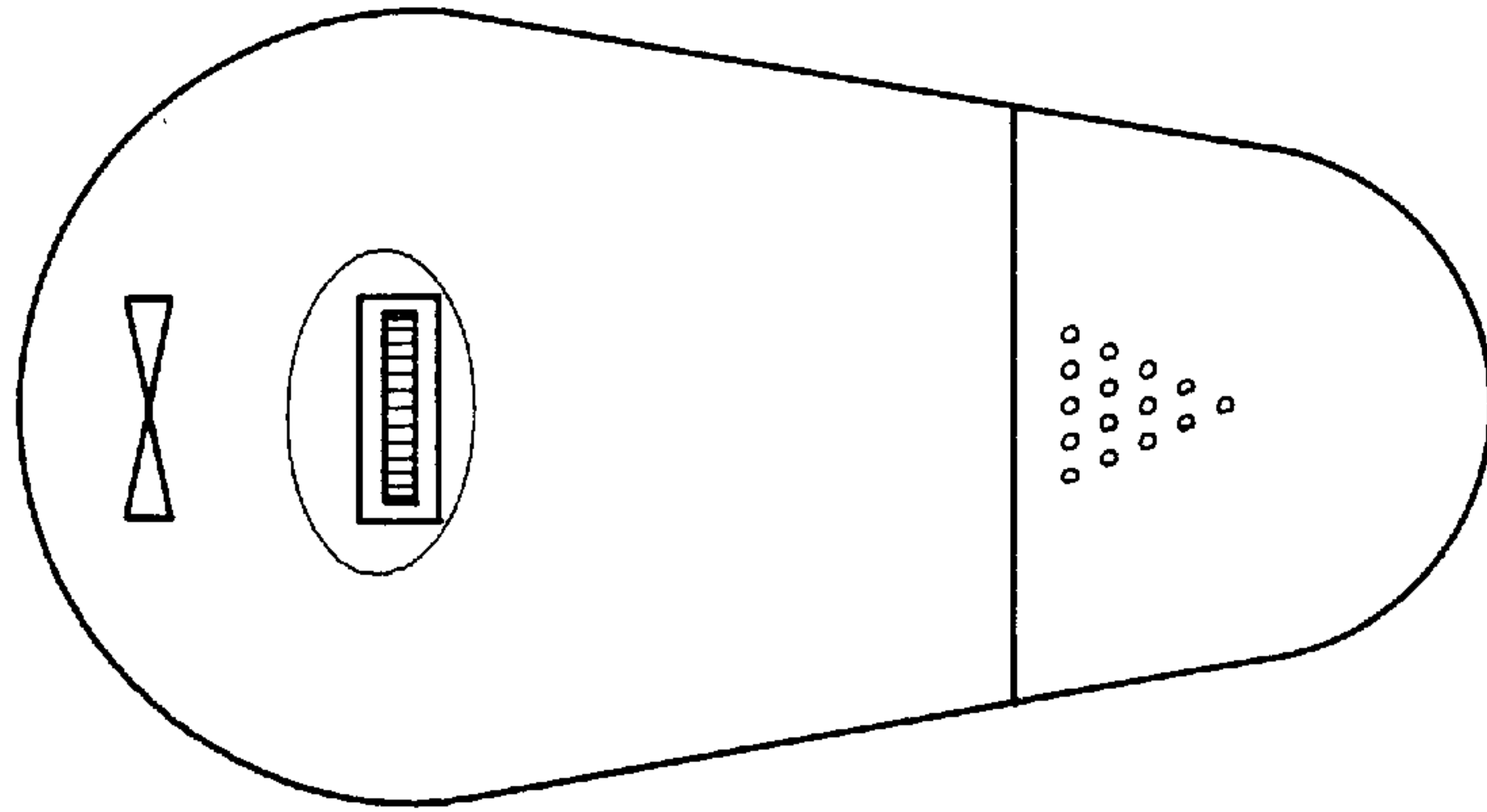


FIG. 7

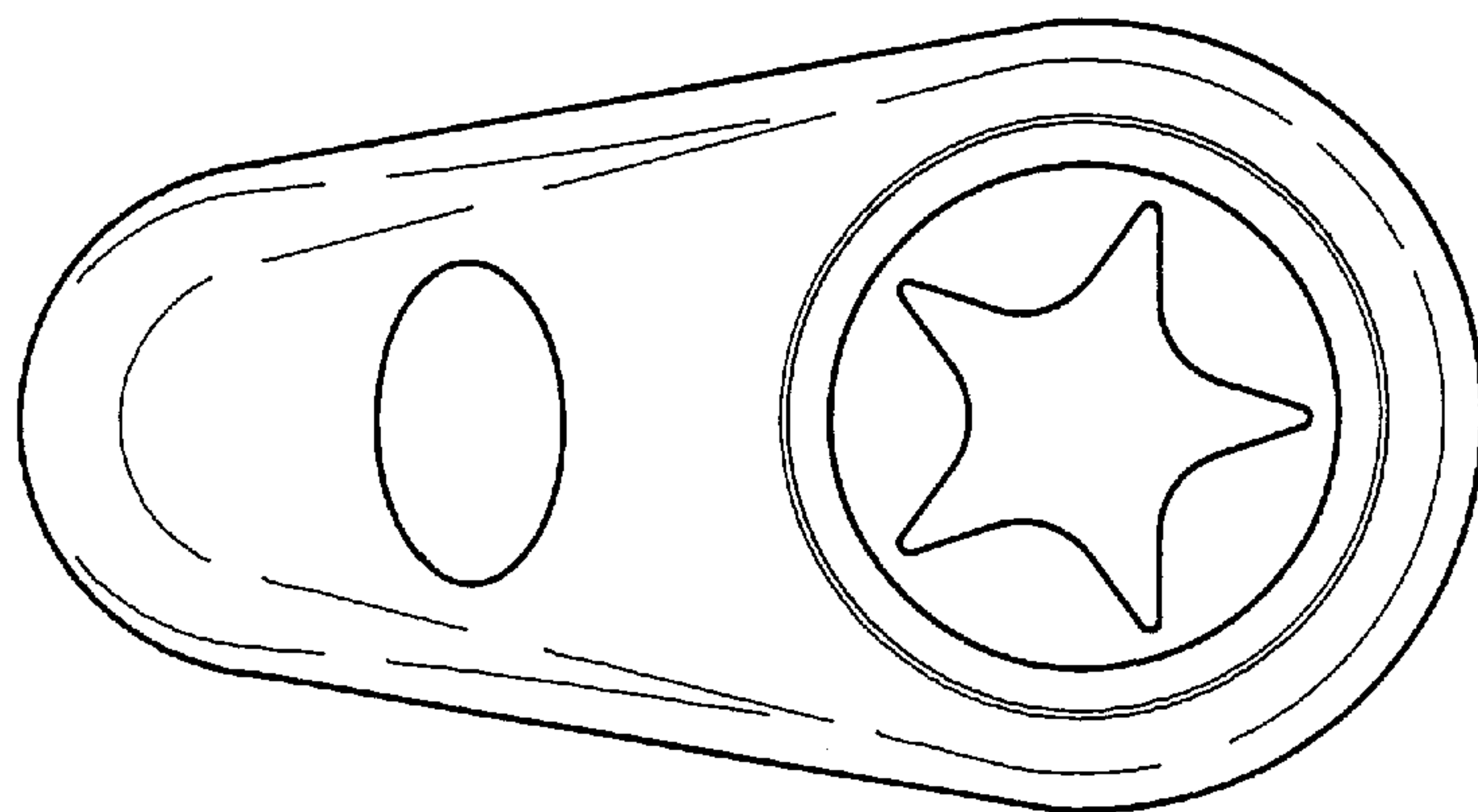


FIG. 6