



US00D399141S

United States Patent [19]

Huang et al.

[11] Patent Number: **Des. 399,141**

[45] Date of Patent: ****Oct. 6, 1998**

[54] **END-OF-LIFE INDICATOR FOR A WATER TREATMENT DEVICE**

[75] Inventors: **Alexander Huang**, Menlo Park;
Richard Fayram, Palo Alto; **John Stiggelbout**, Sausalito, all of Calif.

[73] Assignee: **The Clorox Company**, Oakland, Calif.

[**] Term: **14 Years**

[21] Appl. No.: **70,325**

[22] Filed: **May 6, 1997**

[51] **LOC (6) Cl.** **10-04**

[52] **U.S. Cl.** **D10/46; D10/96; D10/103**

[58] **Field of Search** **D10/46, 96, 103; 210/87, 188, 232, 282; 73/861.78**

[56] **References Cited**

U.S. PATENT DOCUMENTS

D. 348,017 6/1994 Poleshuk et al. D10/99

4,895,648	1/1990	Hankammer	210/188
4,969,996	11/1990	Hankammer	210/282
5,128,034	7/1992	Koll	210/232
5,536,394	7/1996	Lund et al.	210/87
5,540,107	7/1996	Silverman et al.	73/861.78
5,676,824	10/1997	Jeon et al.	210/87 X

Primary Examiner—Antoine Duval Davis
Attorney, Agent, or Firm—Francis Law Group

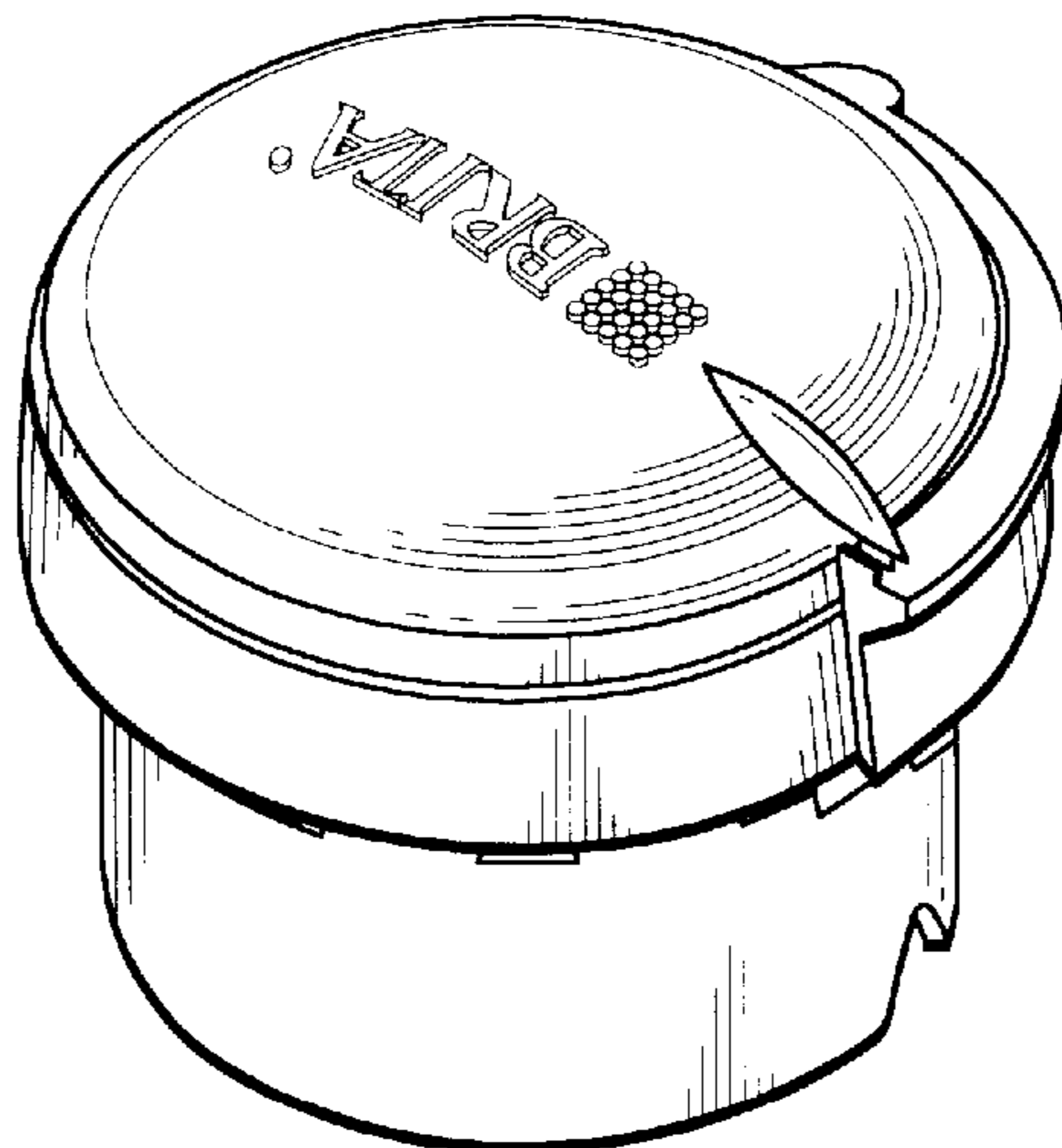
[57] **CLAIM**

We claim the ornamental design for an end-of-life indicator for a water treatment device, as shown and described.

DESCRIPTION

FIG. 1 is a perspective view of the end-of-life indicator for a water treatment device showing our new design; FIG. 2 is a top plan view thereof; FIG. 3 is a front elevational view thereof; FIG. 4 is a left side elevational view thereof; and, FIG. 5 is a right side elevational view thereof.

1 Claim, 1 Drawing Sheet



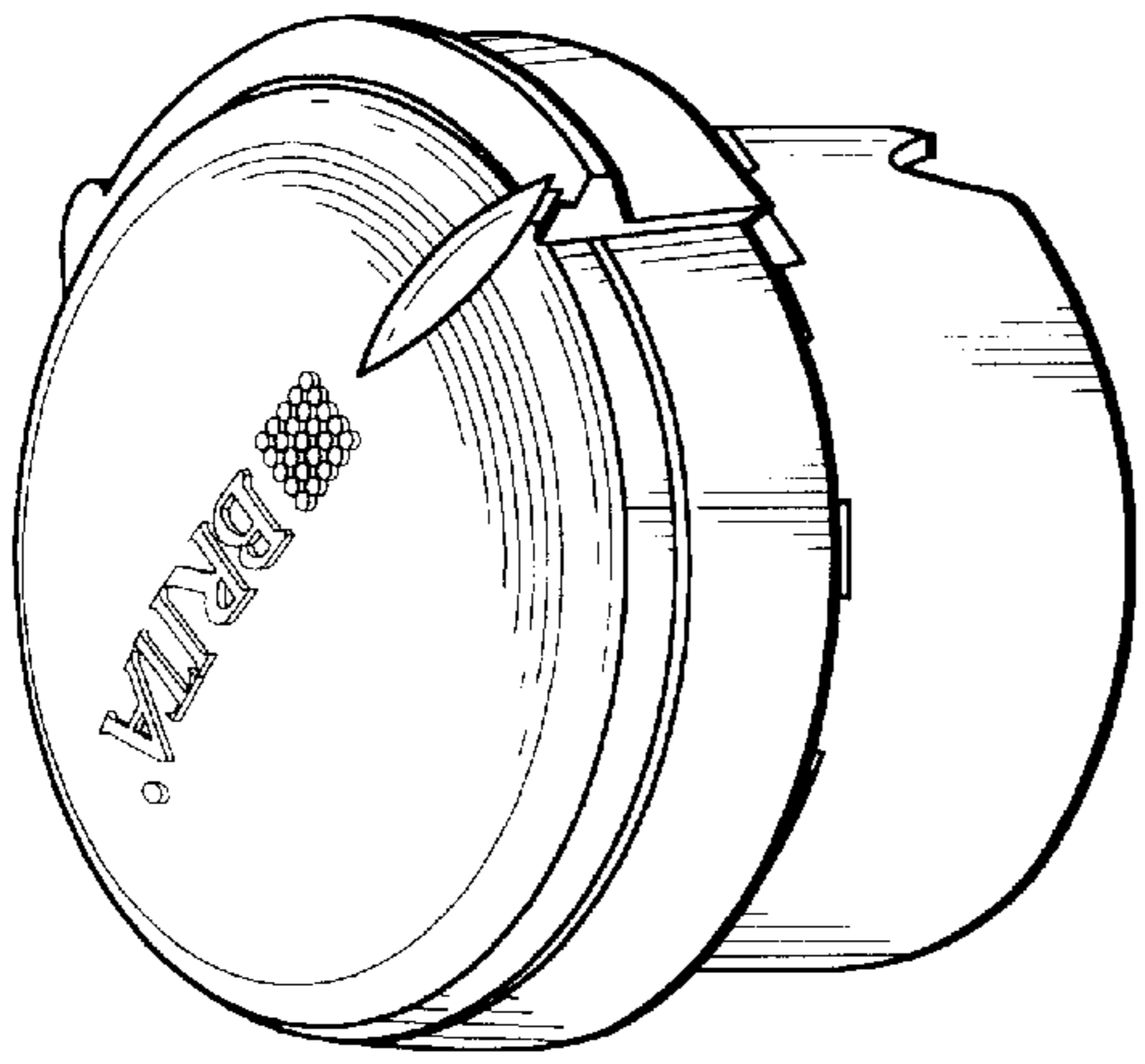


FIG. - 1

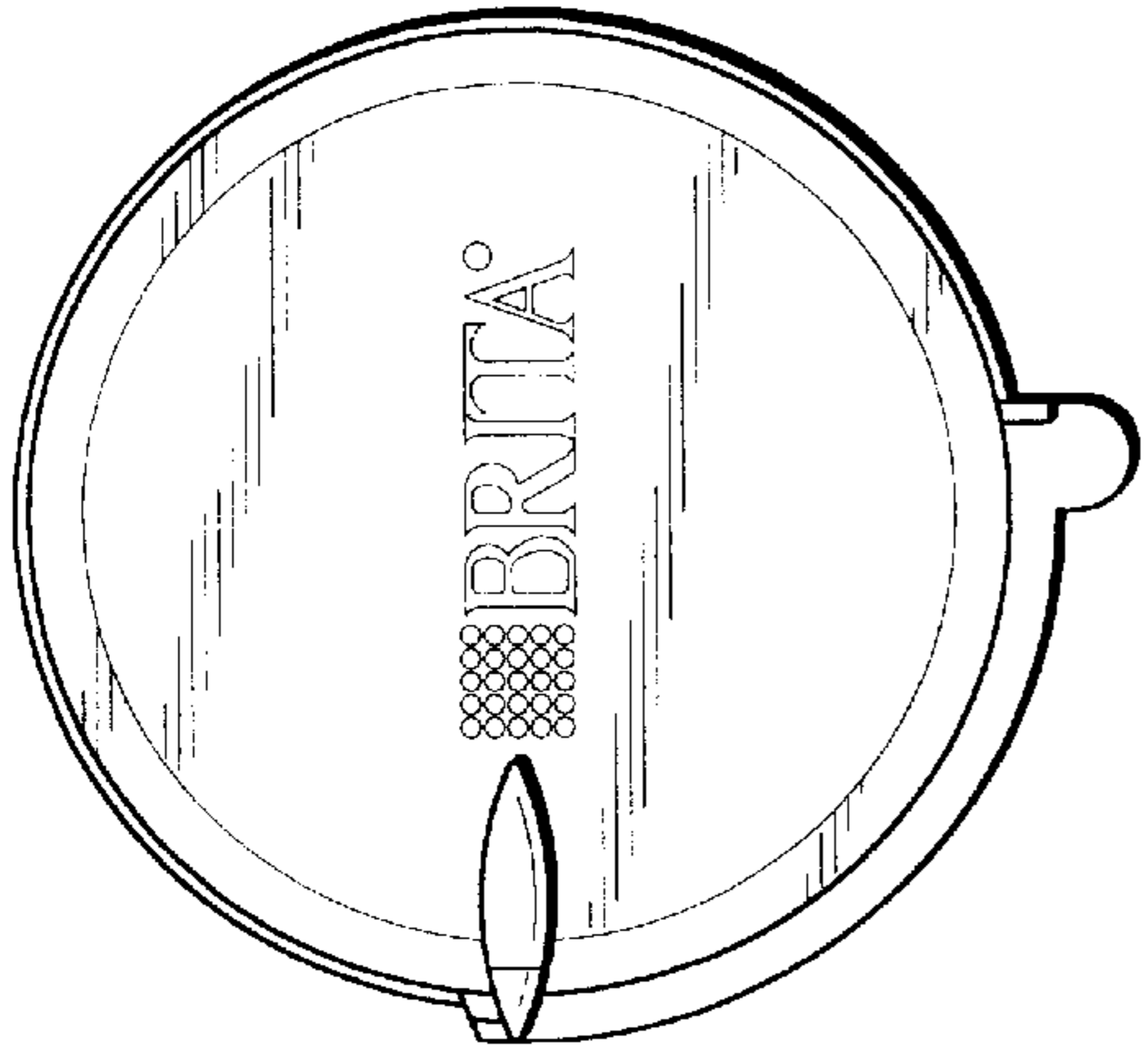


FIG. - 2

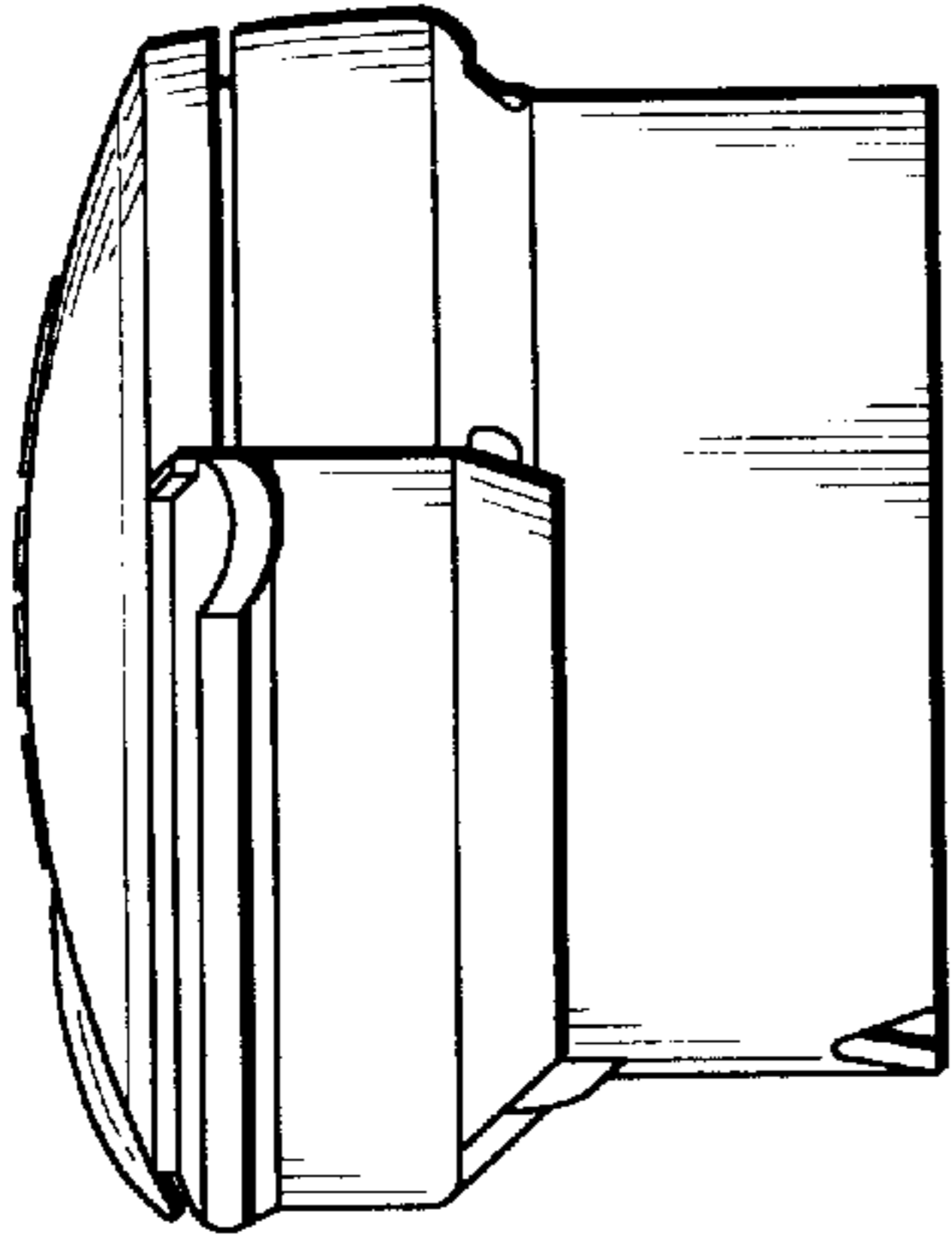


FIG. - 3

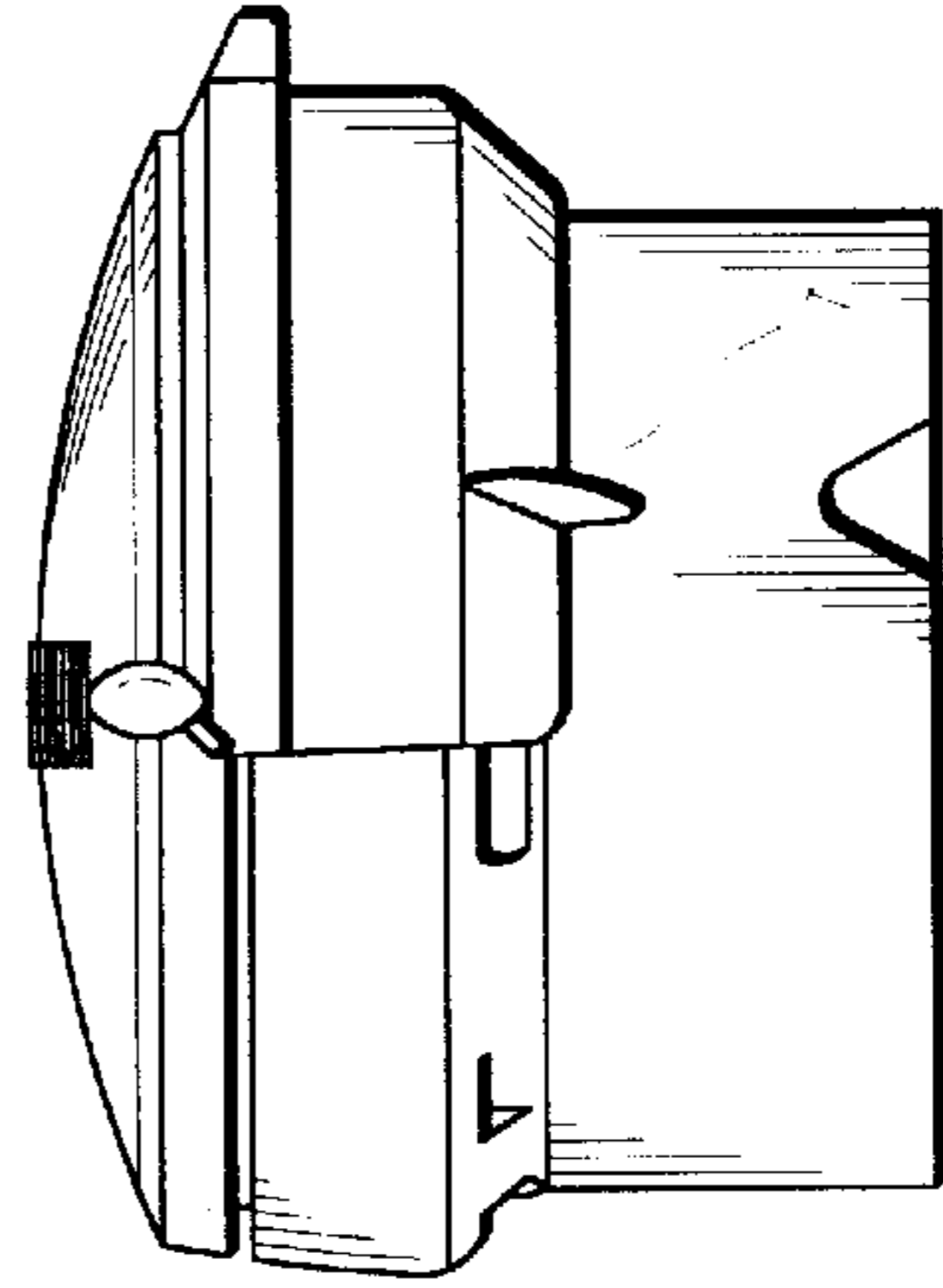


FIG. - 4

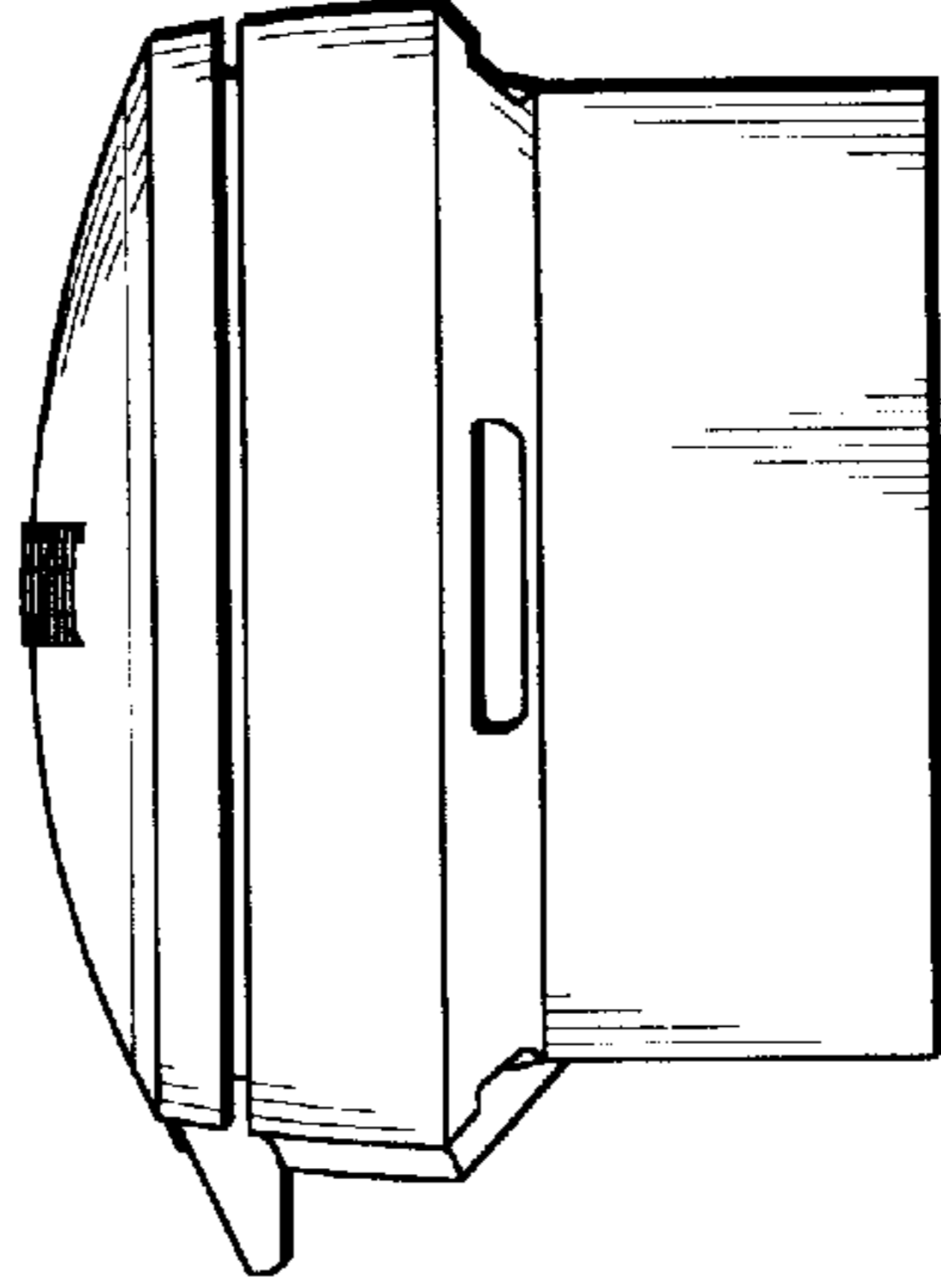


FIG. - 5