



US00D399135S

# United States Patent [19]

Mecca et al.

[11] **Patent Number:** **Des. 399,135**

[45] **Date of Patent:** **\*\*Oct. 6, 1998**

[54] **CONTAINER WITH A TOGGLE CLASP**

5,234,124 8/1993 Buckner, III et al. .... 220/326  
5,641,065 6/1997 Owens et al. .... 220/324 X

[76] Inventors: **Anna Mecca**, 541 Art La., Ridgefield, N.J. 07657; **John J. Slink**, 23 Sheephill Rd., Greenwich, Conn. 06878

### OTHER PUBLICATIONS

Rubbermaid Cat, p. 10, Apr. 1991.

[\*\*] Term: **14 Years**

*Primary Examiner*—Prabhakar G. Deshmukh  
*Attorney, Agent, or Firm*—Jean-Marc Zimmerman

[21] Appl. No.: **49,073**

[22] Filed: **Jan. 16, 1996**

### [57] CLAIM

[51] **LOC (6) Cl.** ..... **09-07**

[52] **U.S. Cl.** ..... **D9/423; D9/432**

[58] **Field of Search** ..... D9/420-423, 414, D9/432; D3/201, 203, 273, 274, 290, 294; 220/324, 326, 322, 315, DIG. 25; 206/1.5, 424, 425, 477, 478

The ornamental design for a design of a container with a toggle clasp, as shown and described.

### DESCRIPTION

### [56] References Cited

#### U.S. PATENT DOCUMENTS

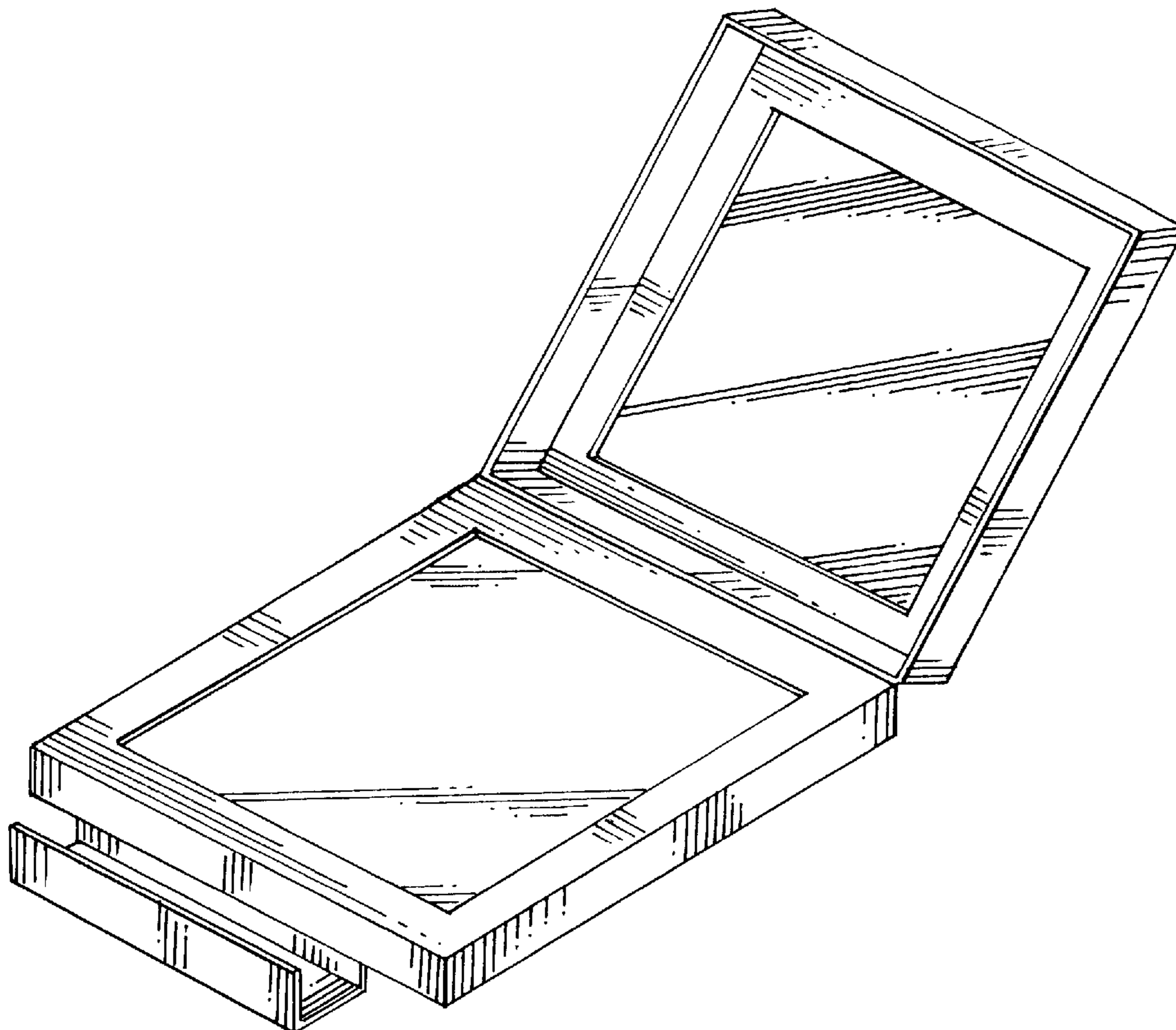
D. 343,121 1/1994 Liska ..... D9/423  
1,244,683 10/1917 Ambruster ..... 220/326 X  
4,684,017 8/1987 Wantabe et al. .... 220/343 X  
5,065,885 11/1991 Scaroni ..... 220/326

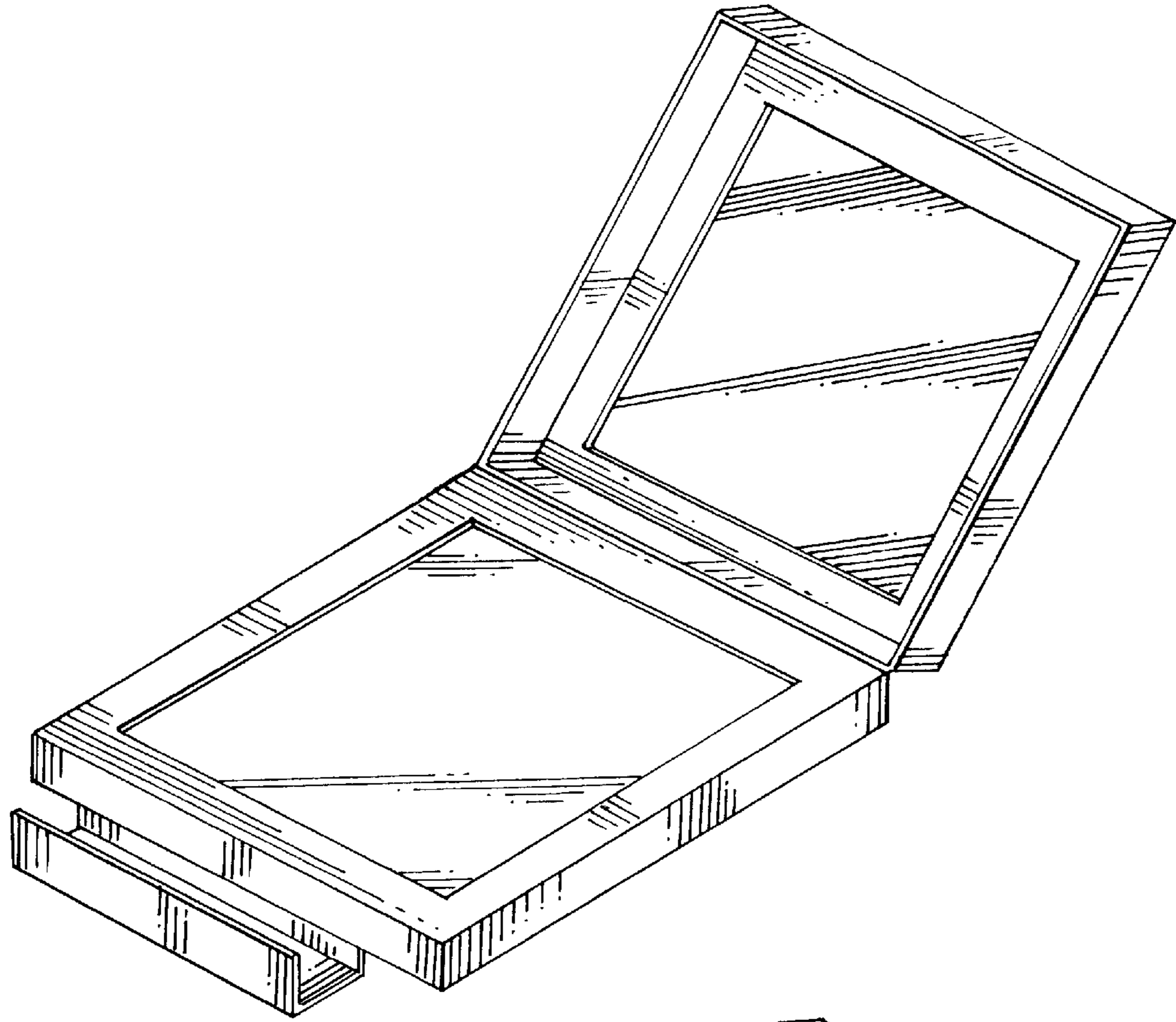
FIG. 1 is a perspective view of a container with a toggle clasp showing our new design; shown in an open position with toggle clasp open; and,

FIG. 2 is a second embodiment of FIG. 1; shown in an open position with toggle clasp open.

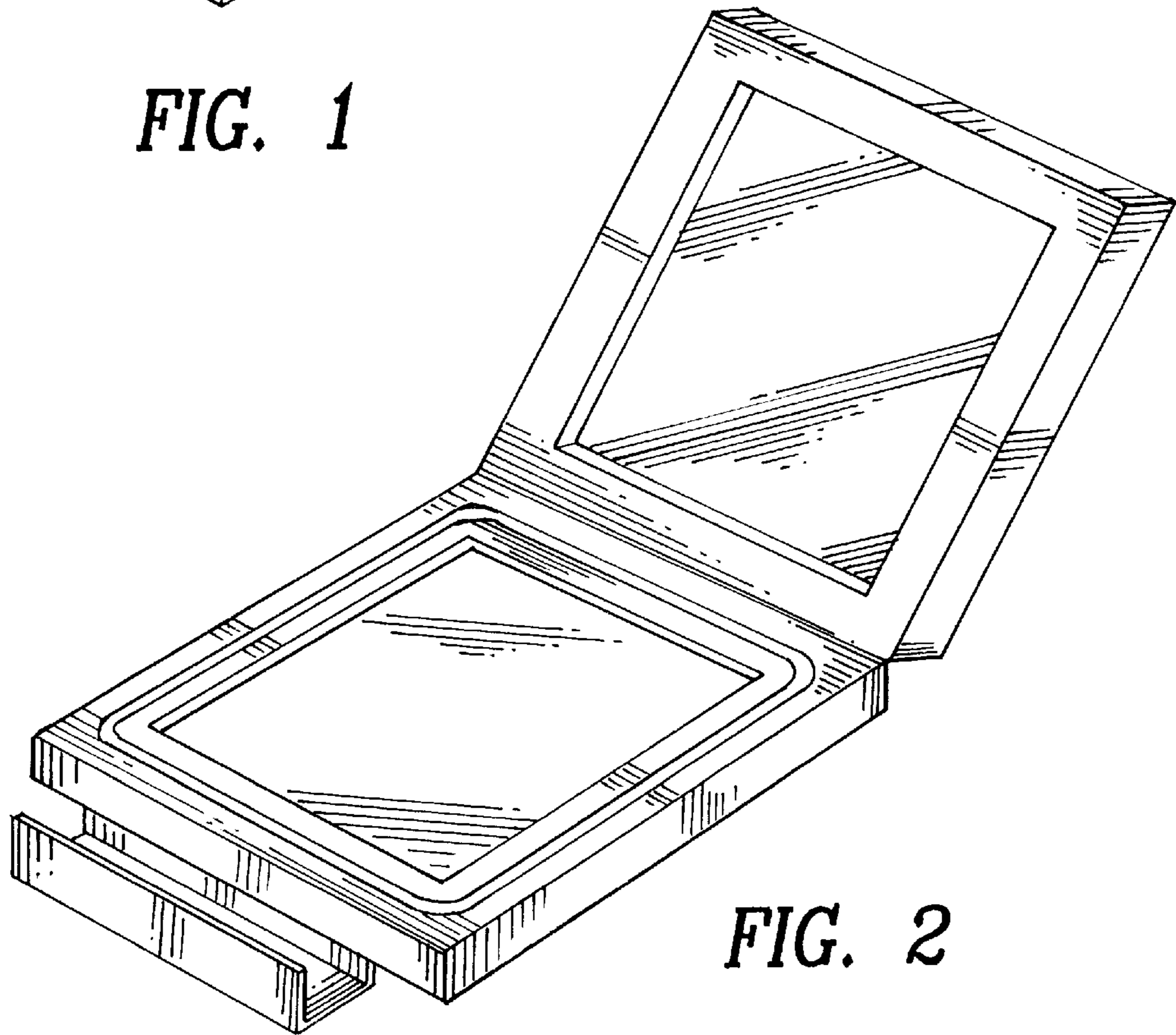
The undisclosed opposite sides are identical to the corresponding disclosed sides. The top and bottom of both embodiments are plain and unornamented.

**1 Claim, 1 Drawing Sheet**





**FIG. 1**



**FIG. 2**