



US00D399127S

United States Patent [19]

Messer

[11] **Patent Number:** **Des. 399,127**

[45] **Date of Patent:** ****Oct. 6, 1998**

[54] SAFETY HOOK

[75] Inventor: **Donald A. Messer**, Winston-Salem, N.C.

[73] Assignee: **Mesco Forming, Inc.**, Winston-Salem, N.C.

[**] Term: **14 Years**

[21] Appl. No.: **58,022**

[22] Filed: **Aug. 6, 1996**

[51] **LOC (6) Cl.** **08-05**

[52] **U.S. Cl.** **D8/367**

[58] **Field of Search** D8/382, 367; D34/35; 294/82.1, 82.11, 82.2, 82.22

[56] **References Cited**

U.S. PATENT DOCUMENTS

D. 209,917	1/1968	Lelek	D34/35	X
D. 264,934	6/1982	Brooks	D34/35	X
D. 297,877	9/1988	Bergstrom	D8/382	X
3,575,458	4/1971	Crook, Jr.	294/82.2	
4,621,851	11/1986	Bailey, Jr.	294/82.2	

OTHER PUBLICATIONS

Safety Hook, manufactured by Akron, Charlotte, N.C., believed to be prior art.

Primary Examiner—Holly Baynham
Attorney, Agent, or Firm—Rhodes, Coats & Bennett, L.L.P.

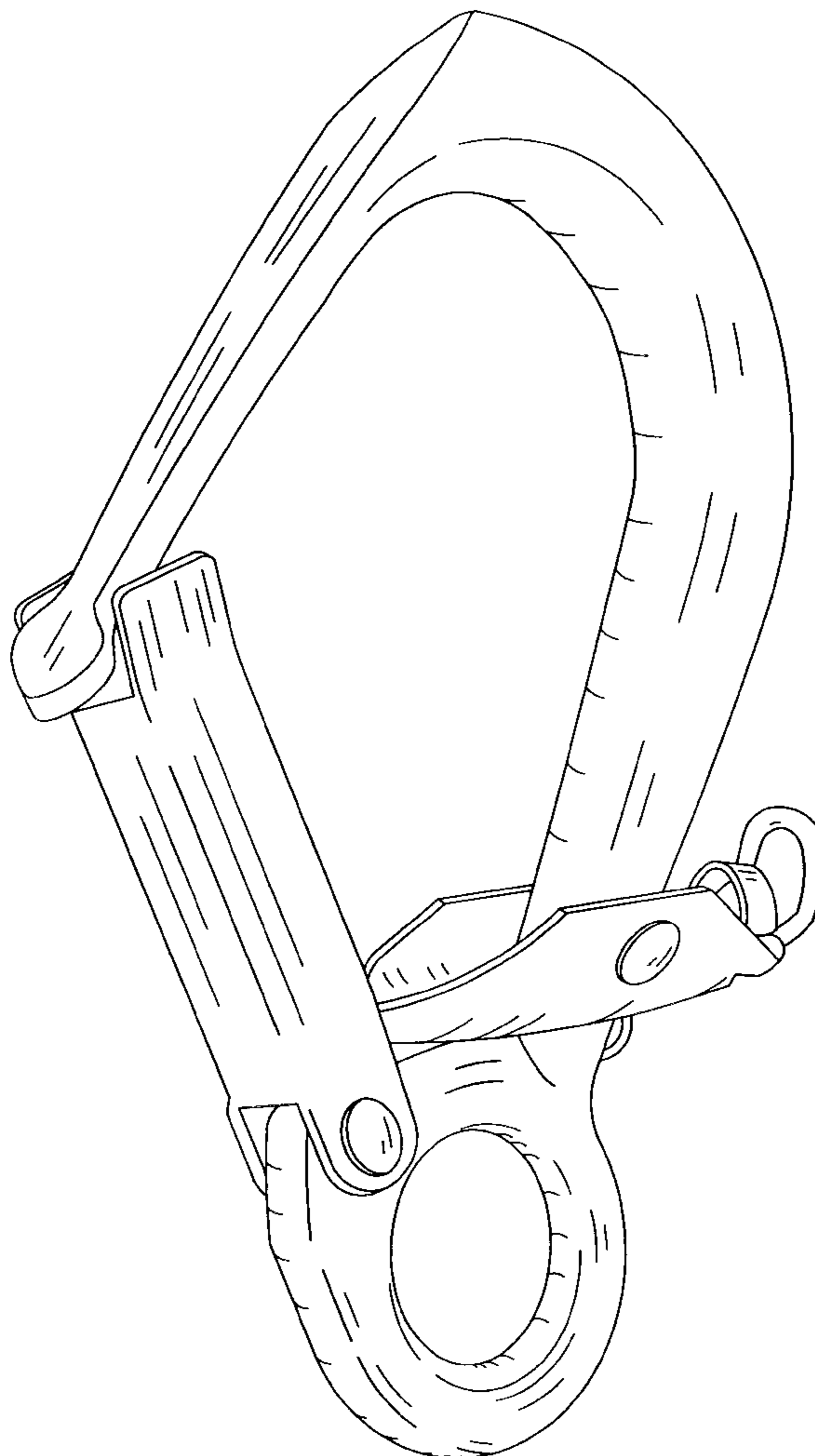
[57] **CLAIM**

The ornamental design for safety hook, as shown and described.

DESCRIPTION

FIG. 1 is a front perspective view of a safety hook showing my new design;
FIG. 2 is a front elevational view thereof;
FIG. 3 is a rear elevational view thereof;
FIG. 4 is a side elevational view thereof; the opposite side elevational view being a mirror image;
FIG. 5 is a perspective view of the safety hook attached to a structural assembly; and,
FIG. 6 is a top plan view as shown in FIG. 5.
The broken line showing of environmental elements is for illustrative purposes only and forms no part of the claimed design.

1 Claim, 5 Drawing Sheets



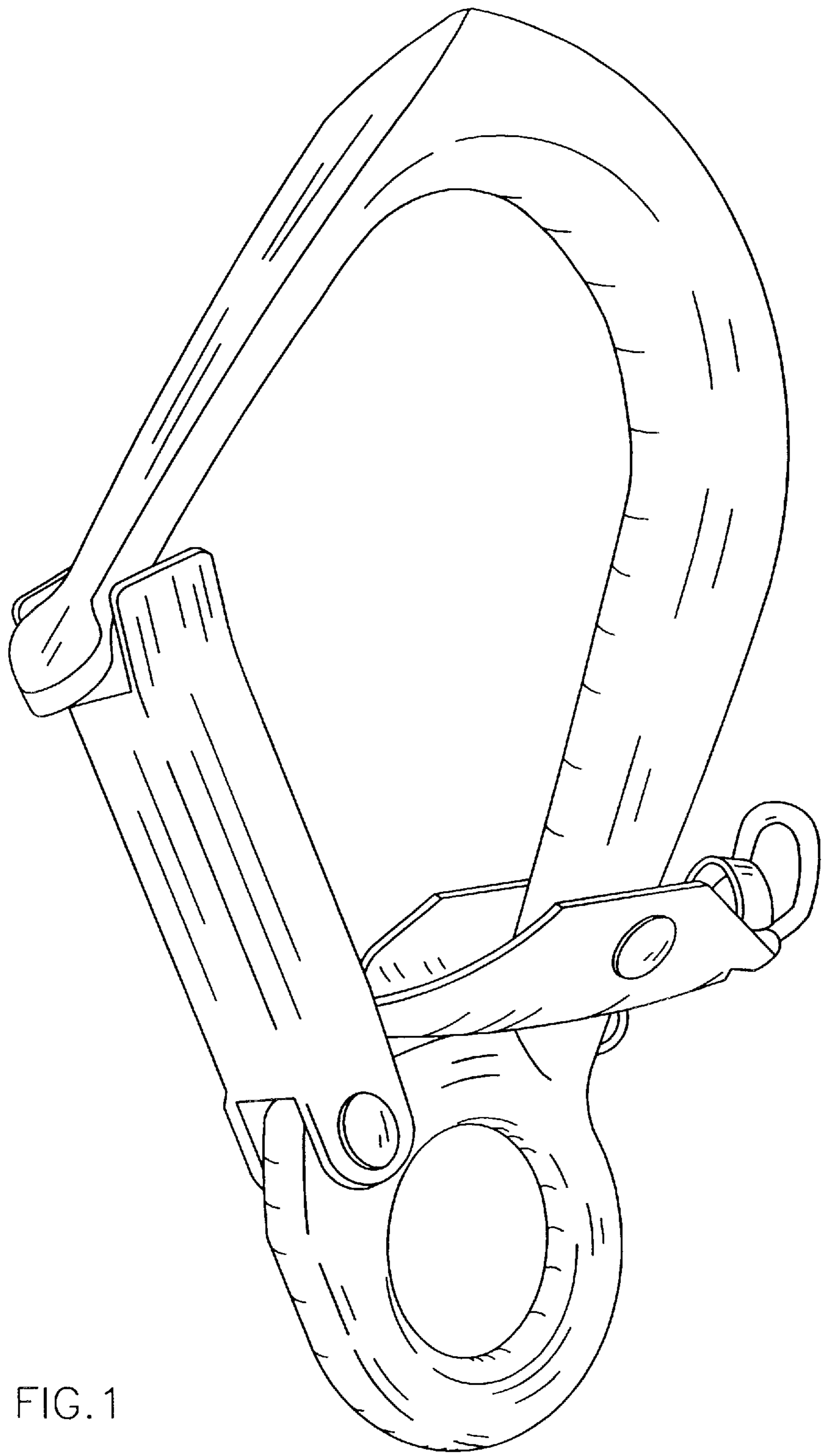


FIG. 1

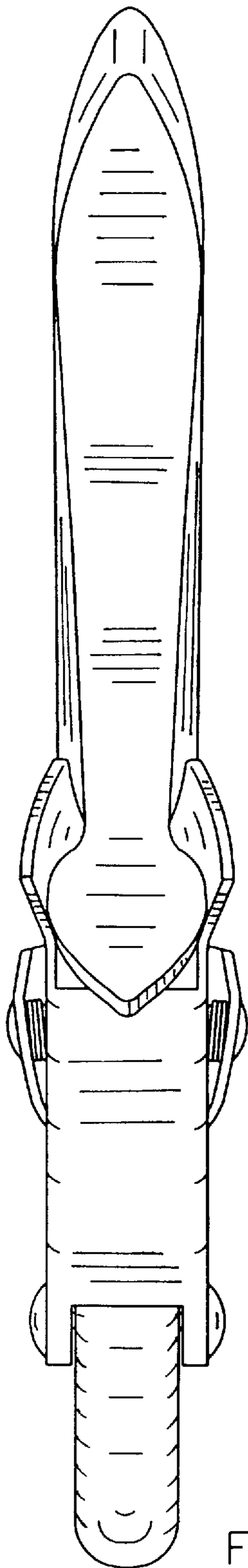


FIG. 2

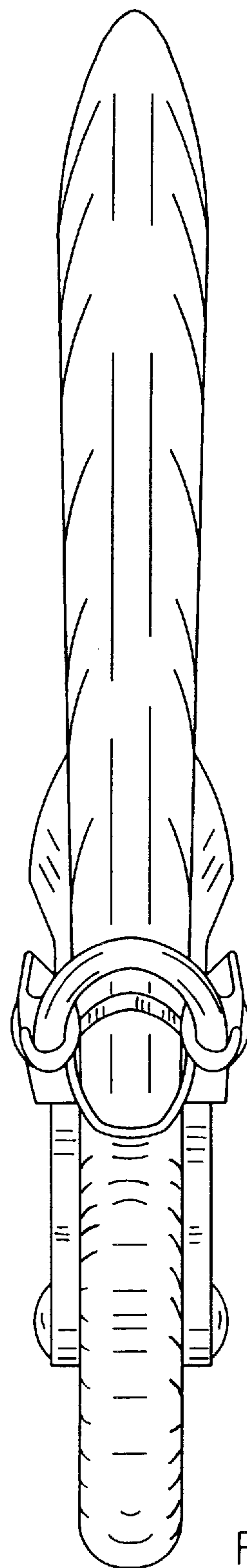


FIG. 3

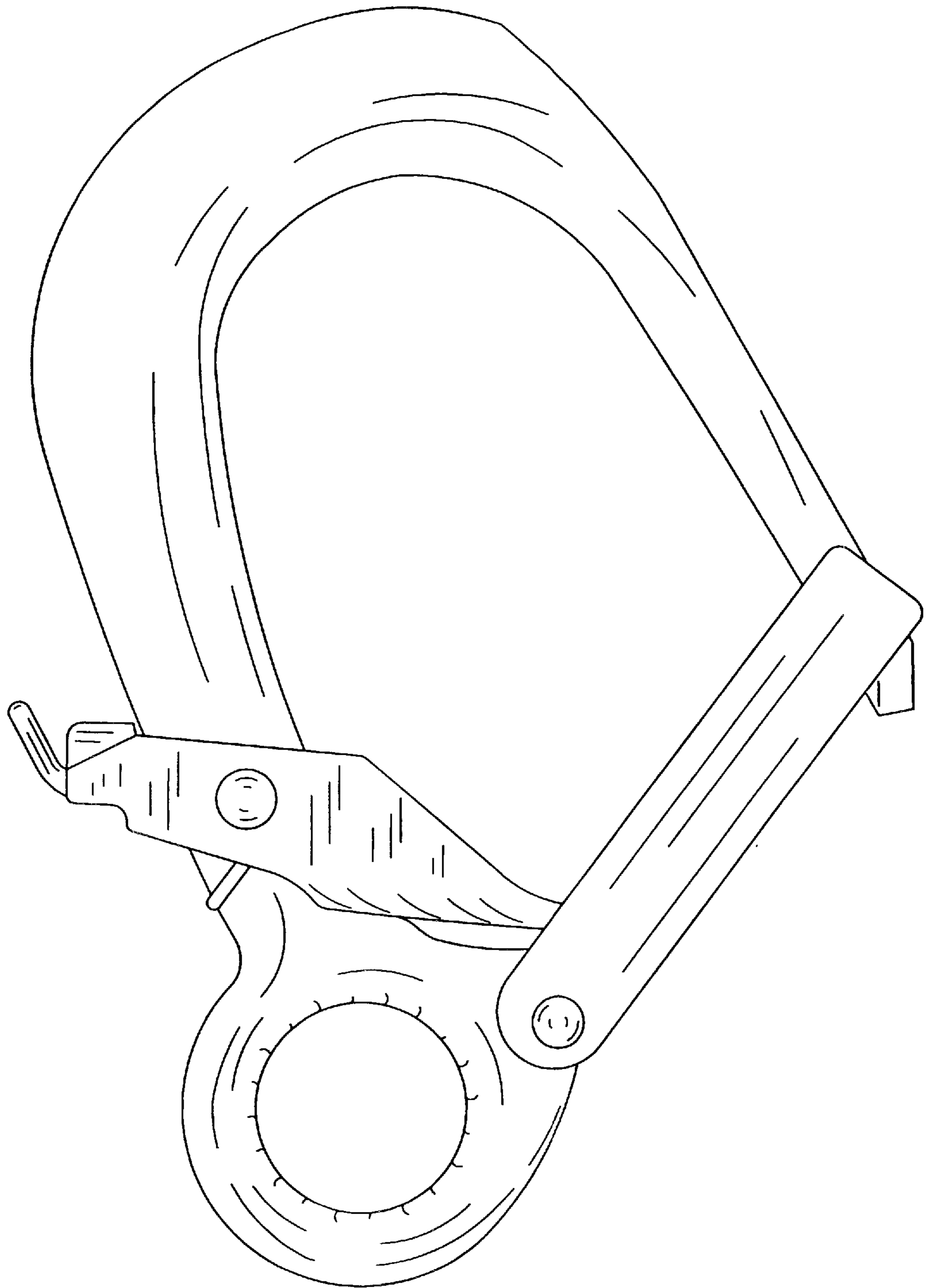


FIG. 4

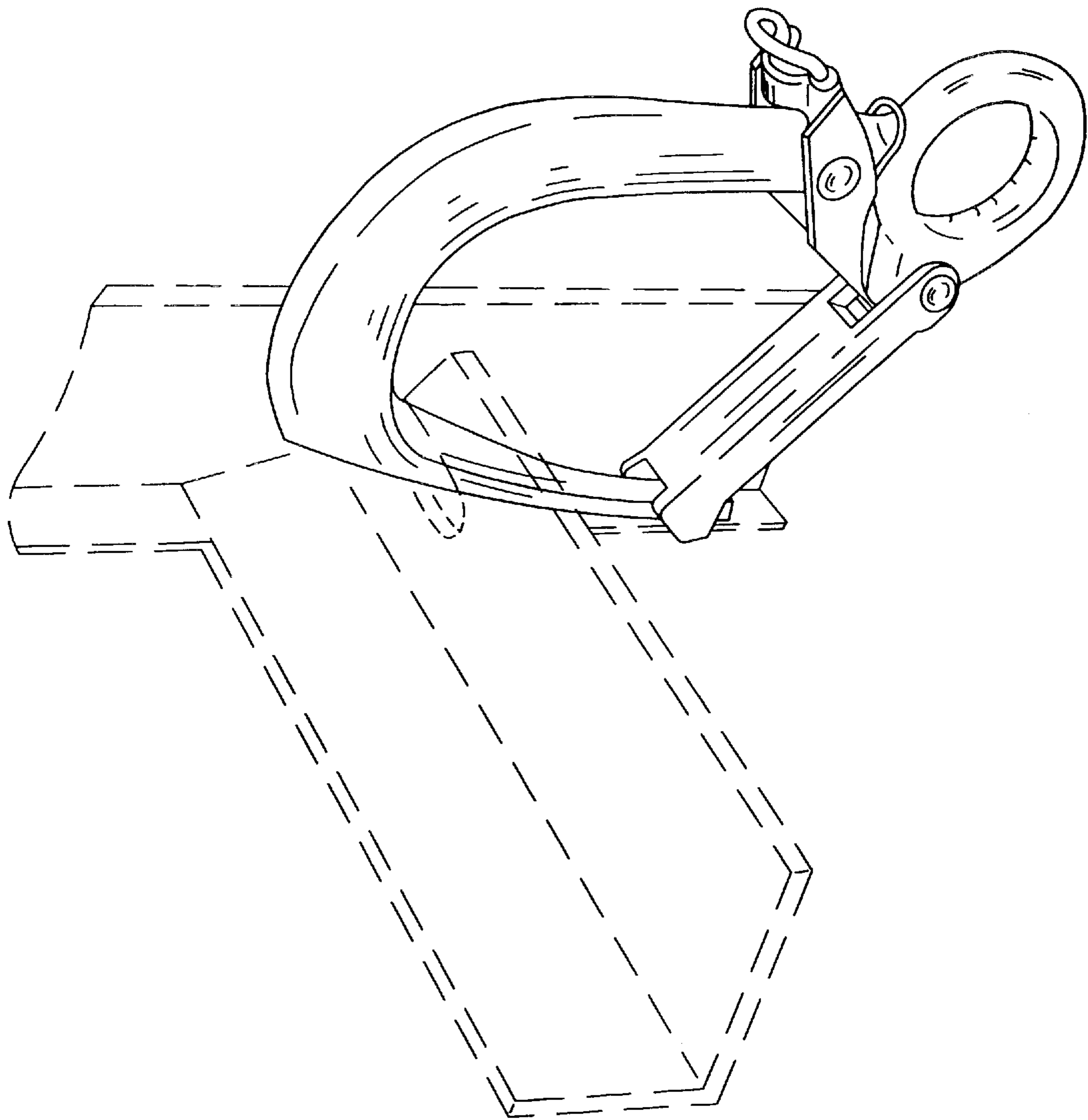


FIG. 5

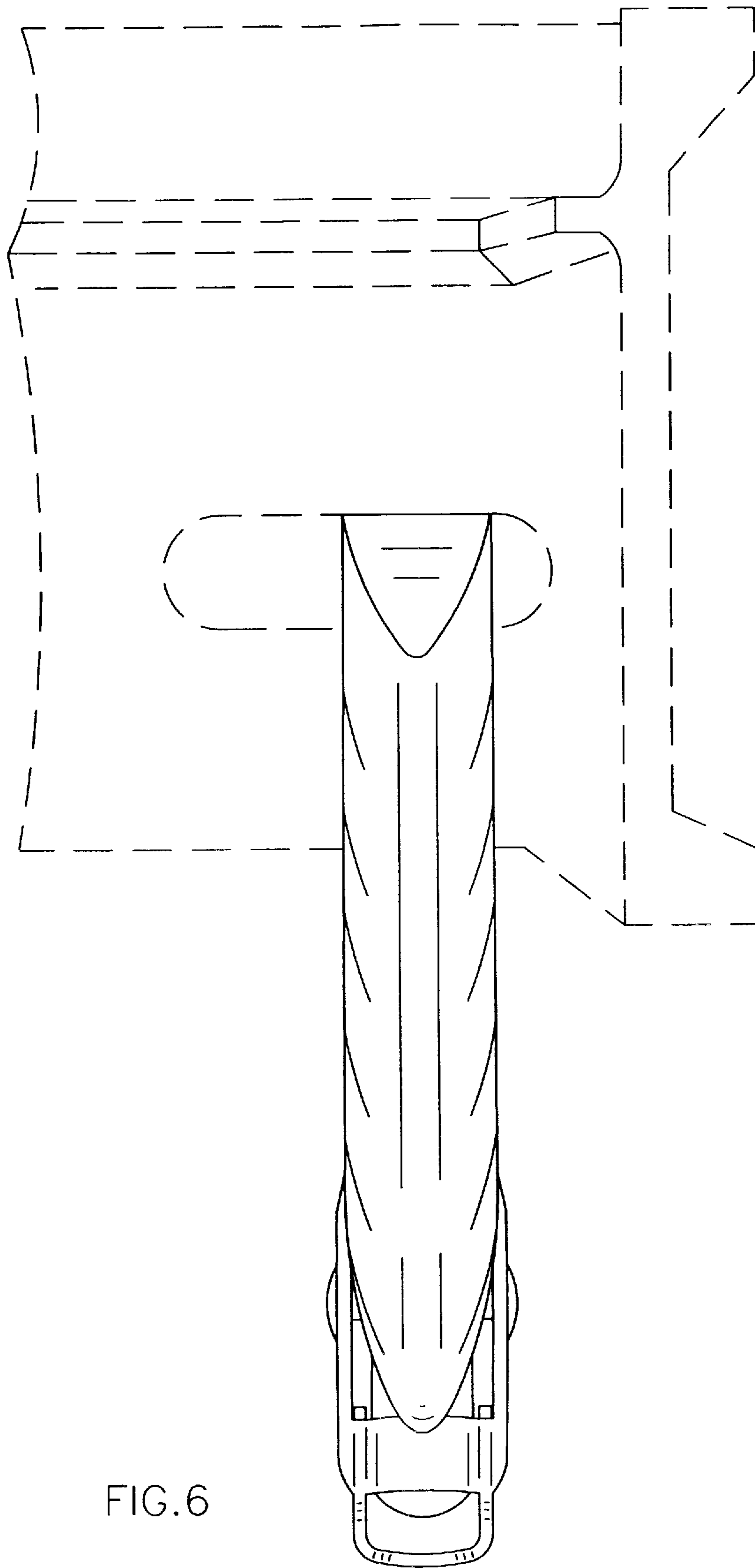


FIG. 6