



US00D399126S

United States Patent [19]

[11] Patent Number: Des. 399,126

Edwards et al.

[45] Date of Patent: **Oct. 6, 1998

[54] **RETRACTABLE COAXIAL CABLE REEL**

[75] Inventors: **Michael V. Edwards; John C. Hostler,**
both of Phoenix, Ariz.

[73] Assignee: **W. L. Gore & Associates, Inc.,**
Newark, Del.

[**] Term: **14 Years**

[21] Appl. No.: **53,461**

[22] Filed: **Apr. 23, 1996**

[51] **LOC (6) Cl.** **08-05**

[52] **U.S. Cl.** **D8/359**

[58] **Field of Search** D8/356, 360, 359;
191/12.4; D13/140

[56] **References Cited**

U.S. PATENT DOCUMENTS

D. 260,962	9/1981	Hechler, IV	D8/359
D. 275,263	8/1984	Cutler	D8/359
2,856,470	10/1958	Hyde	191/12.4
3,167,160	1/1965	Vickers	191/12.2
3,231,214	1/1966	Gretsinger	242/107.4
3,275,780	9/1966	Baba	200/153
3,296,387	1/1967	Le Baigue	191/12.4
3,588,389	6/1971	Sato	191/12.2
3,657,491	4/1972	Ryder et al.	191/12.2
3,695,544	10/1972	Morey, Sr.	242/107 R
3,876,405	4/1975	Eilerman	65/3
3,929,210	12/1975	Cutler et al.	191/12.2
3,953,566	4/1976	Gore	264/288
4,114,736	9/1978	Scherenberg	191/12.4
4,232,837	11/1980	Cutler et al.	242/107
4,384,688	5/1983	Smith	242/107.7
4,489,902	12/1984	Chaconas et al.	242/100.1
4,517,757	5/1985	Asada et al.	38/88
4,520,239	5/1985	Schwartz	191/12.4

4,713,497	12/1987	Smith	191/12.2 R
4,721,833	1/1988	Dubay	191/12.4
4,842,108	6/1989	Anderson et al.	191/12.2 A
4,940,859	7/1990	Peterson	191/12.4
5,022,600	6/1991	Blanc et al.	242/107.1
5,094,396	3/1992	Burke	242/107.1
5,372,225	12/1994	Joynes et al.	191/12.2 R

OTHER PUBLICATIONS

Magazine: "Retractable TV Cable," Motor Home, Jun. 1996, pp. 110, 140.

Brochure: "Measuring Tapes, Levels, & Tools," Starrett, Bulletin No. 212, Aug. 1996, pp. 16-17.

Primary Examiner—Holly Baynham

Attorney, Agent, or Firm—David J. Johns

[57] **CLAIM**

The ornamental design for a retractable cable reel, as shown and described.

DESCRIPTION

FIG. 1 is a front elevational view of a retractable cable reel showing our new design;

FIG. 2 is a right side view thereof and the left side view being a mirror image;

FIG. 3 is a rear elevational view thereof;

FIG. 4 is a top view thereof;

FIG. 5 is a bottom view thereof; and

FIG. 6 is a front elevational view with the retractable cable reel displaying the cable in an extended position;

FIG. 7 is a right side view thereof;

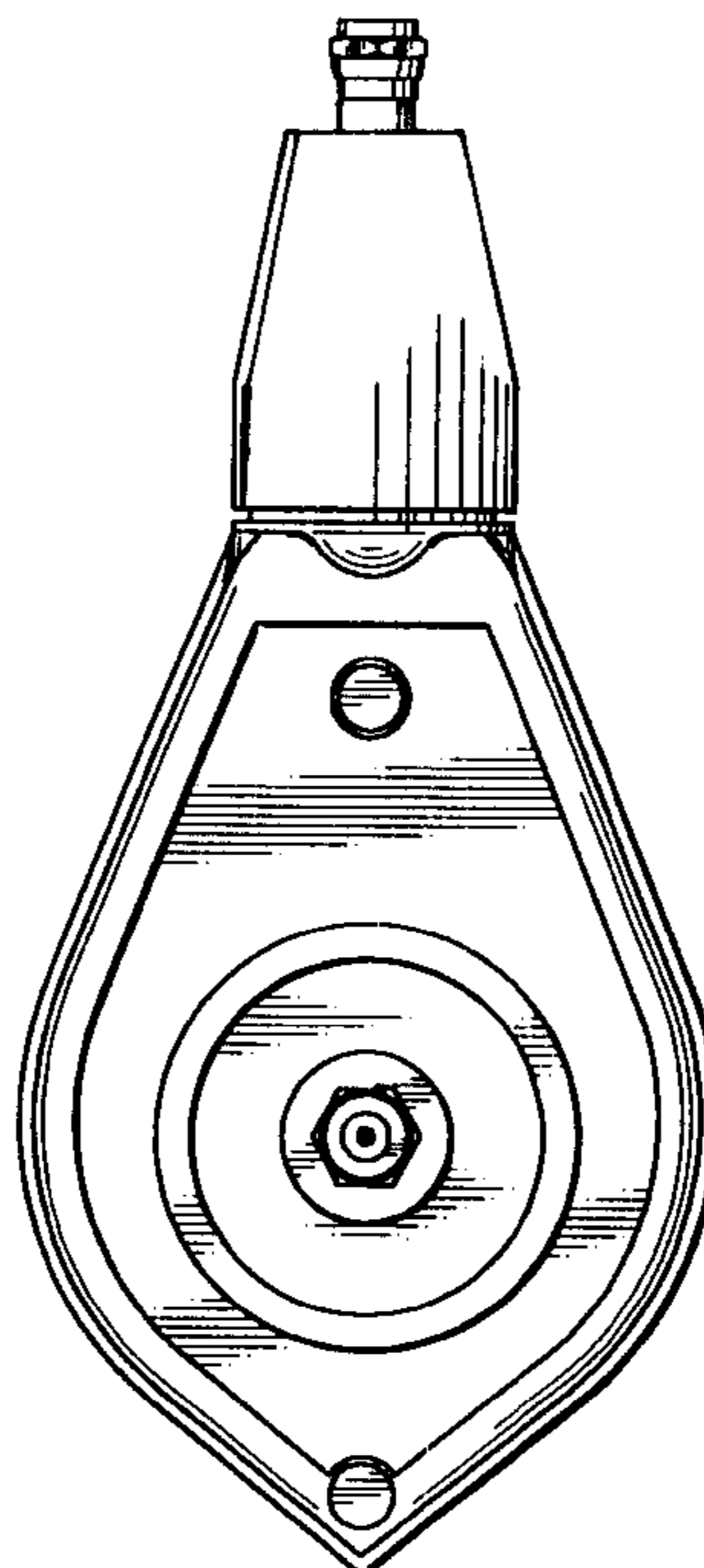
FIG. 8 is a rear elevational view thereof;

FIG. 9 is a top view thereof; and,

FIG. 10 is bottom view thereof.

The cable is shown broken away to indicate indeterminate length.

1 Claim, 4 Drawing Sheets



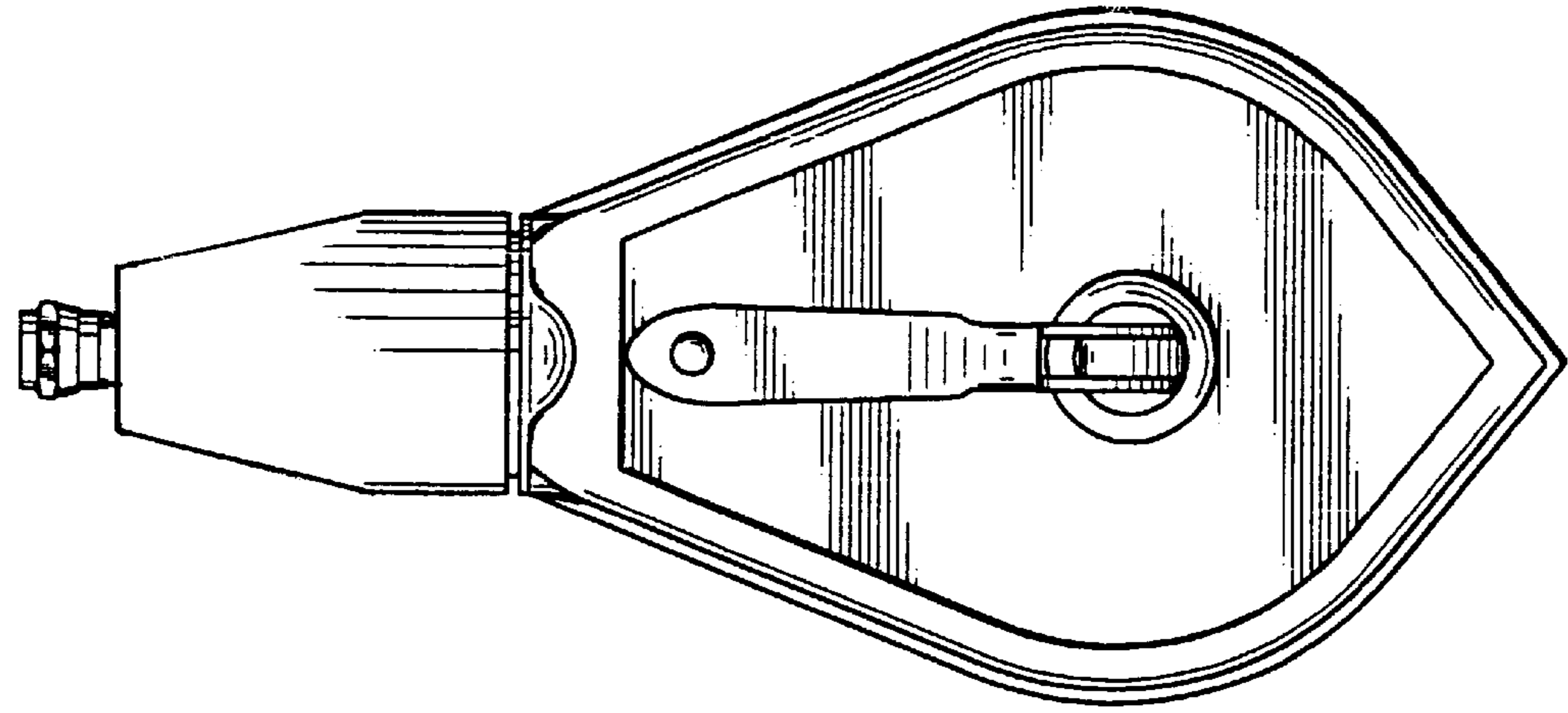


Fig. 3

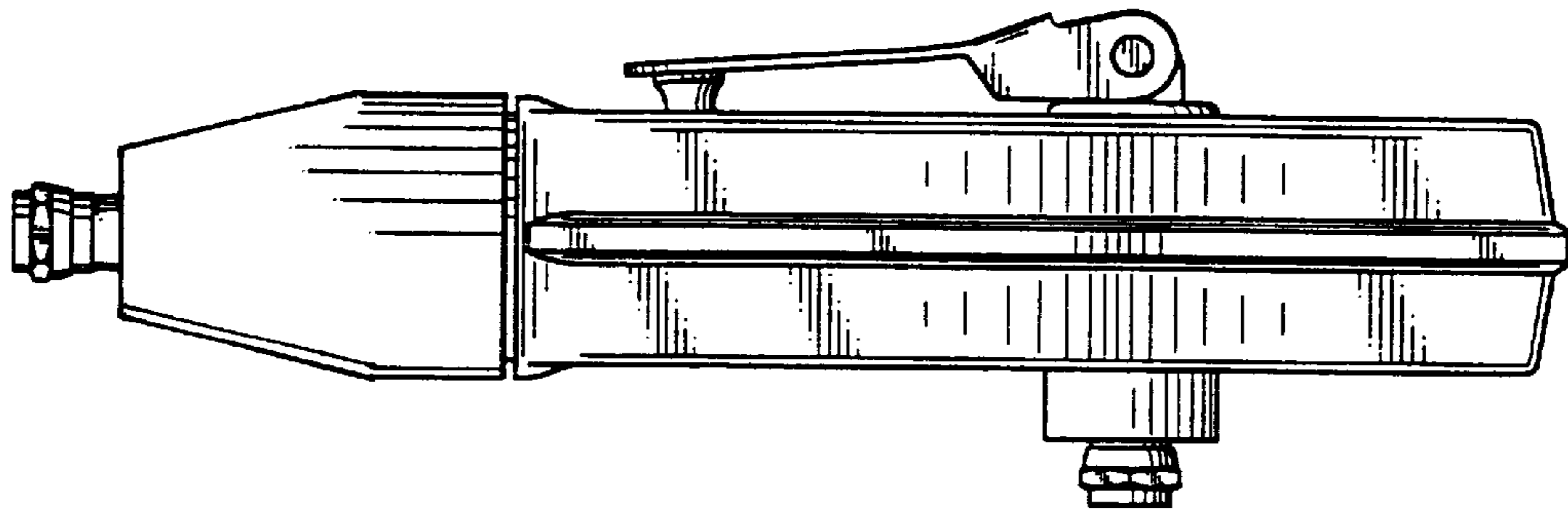


Fig. 2

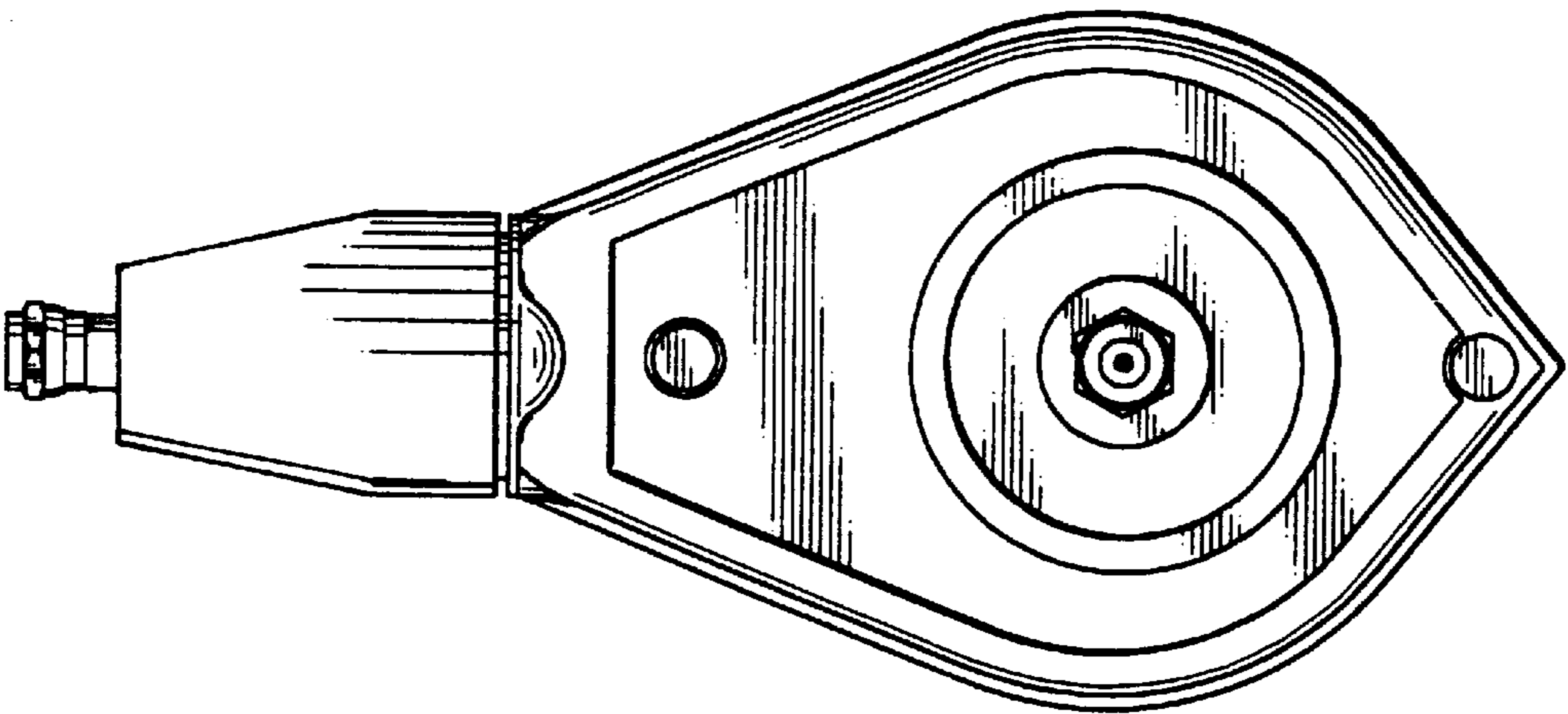


Fig. 1

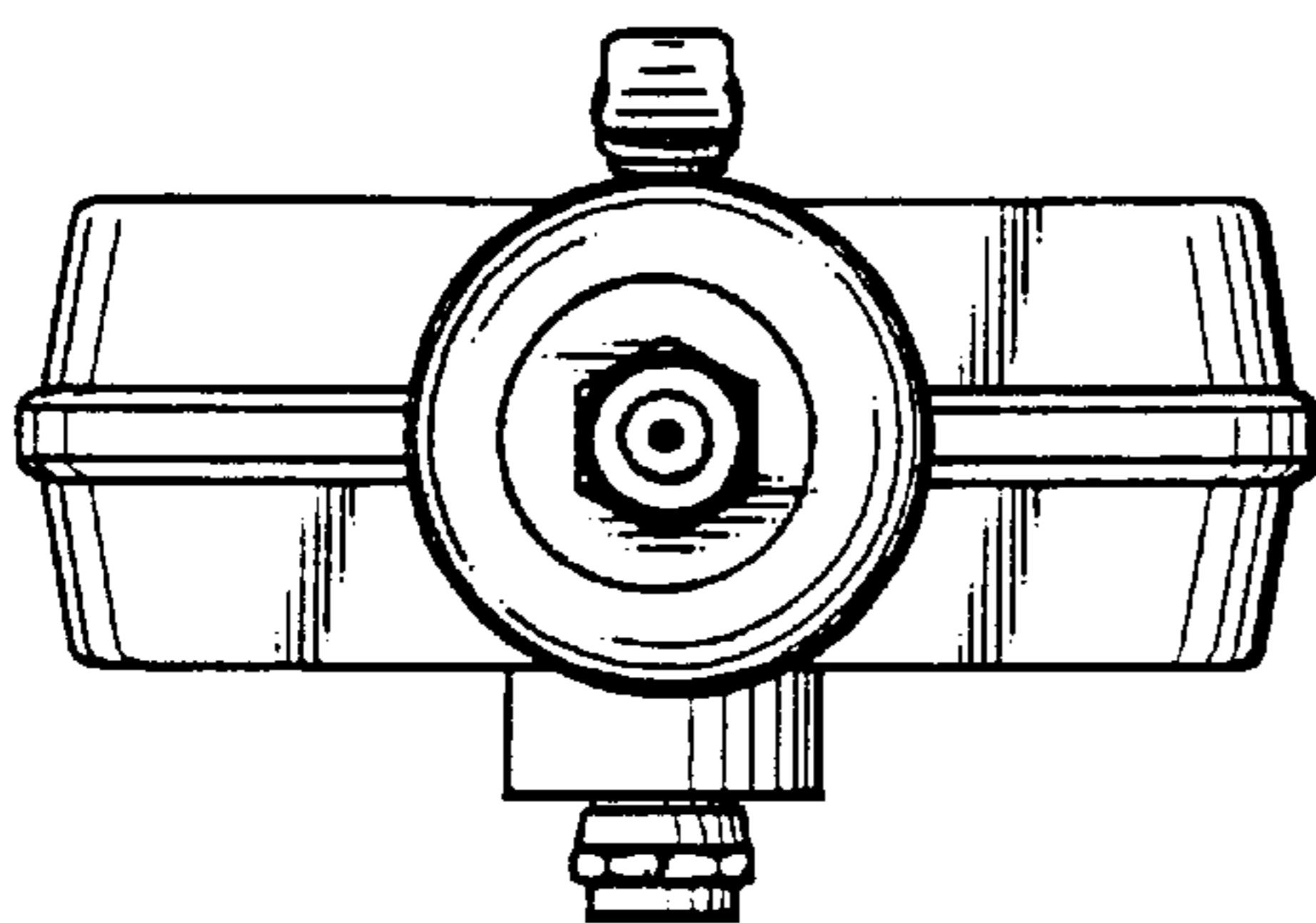


Fig. 4

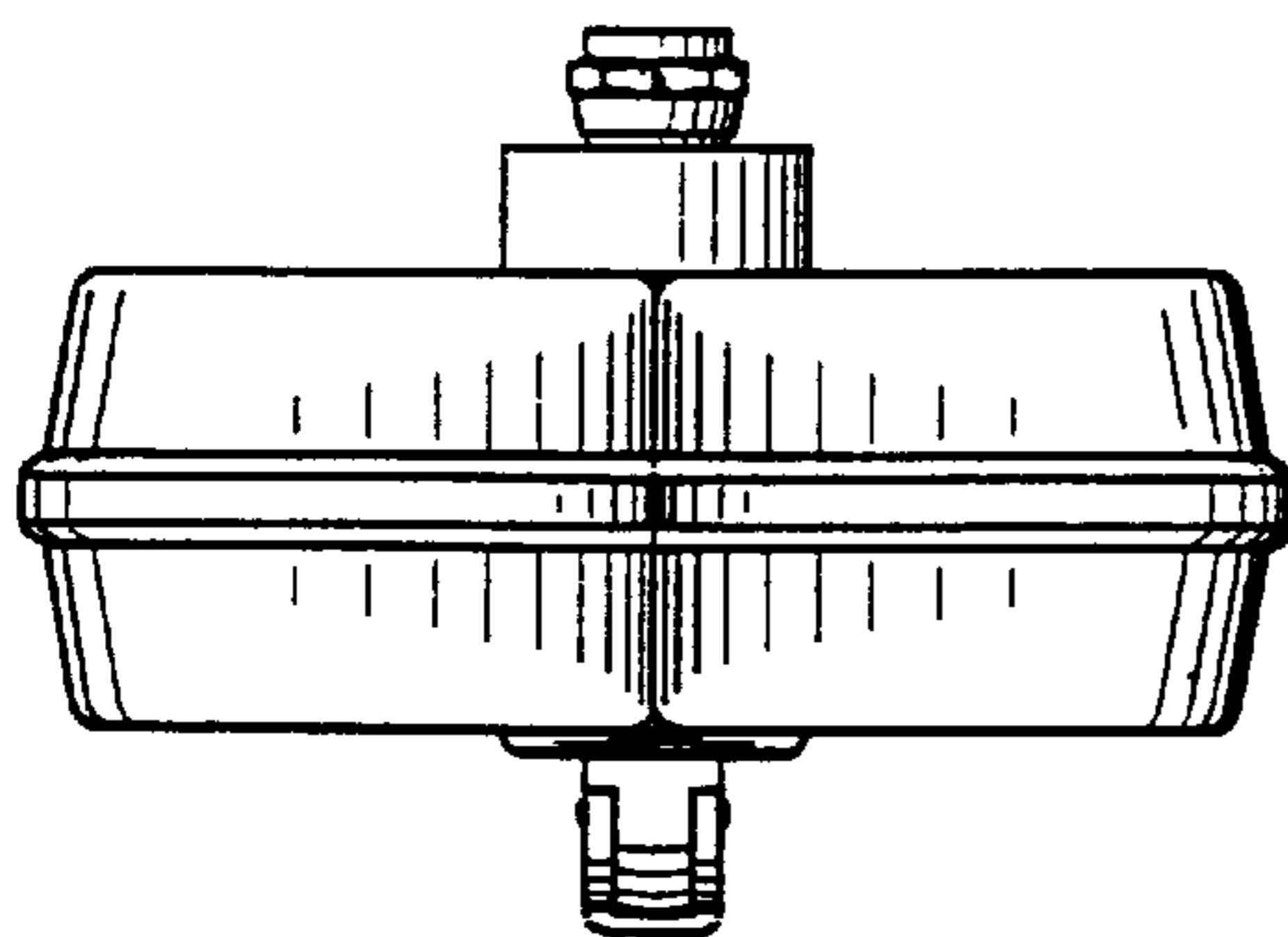


Fig. 5

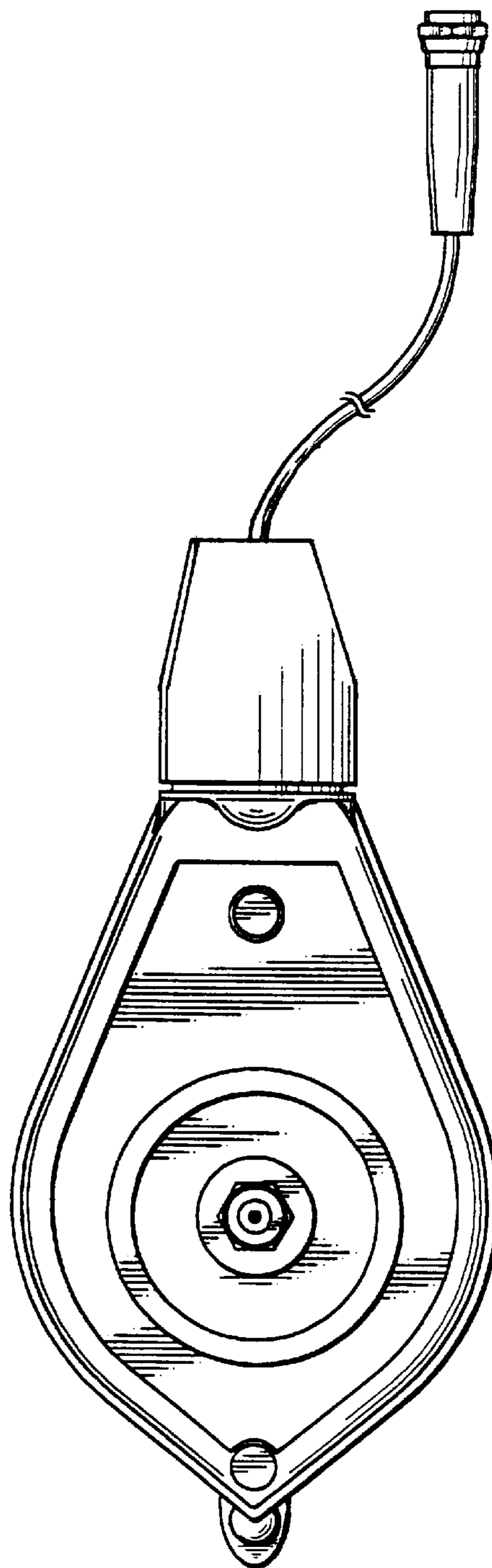


Fig. 6

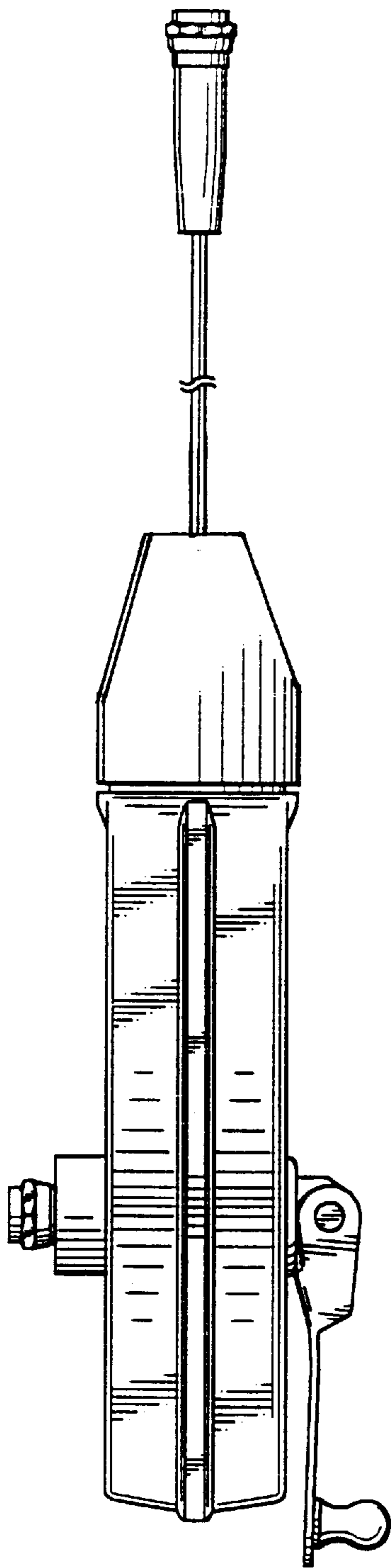


Fig. 7

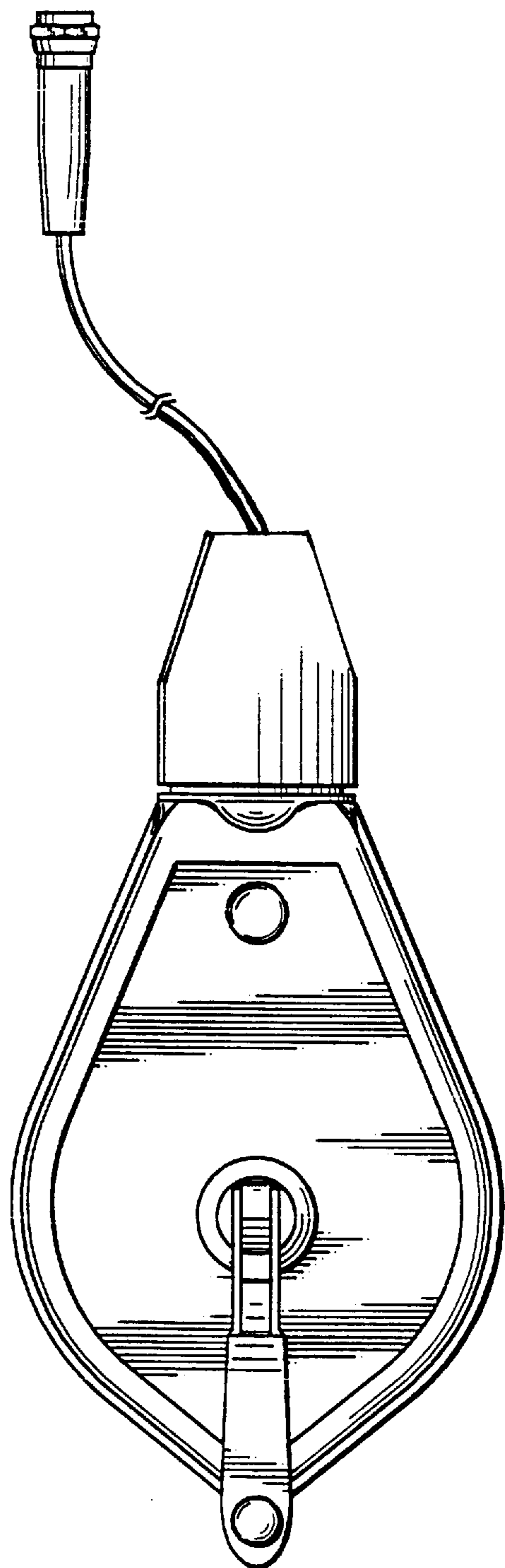


Fig. 8

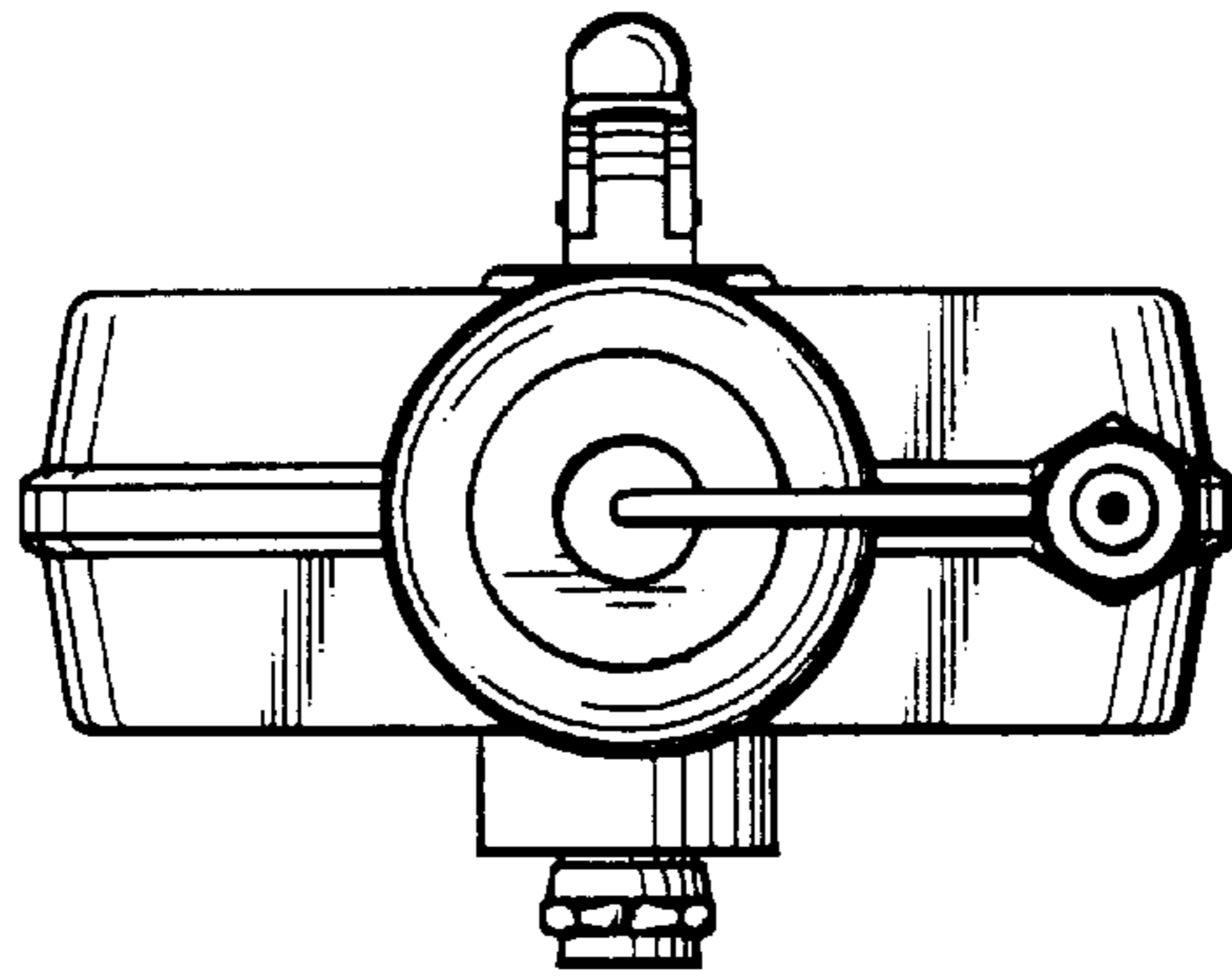


Fig. 9

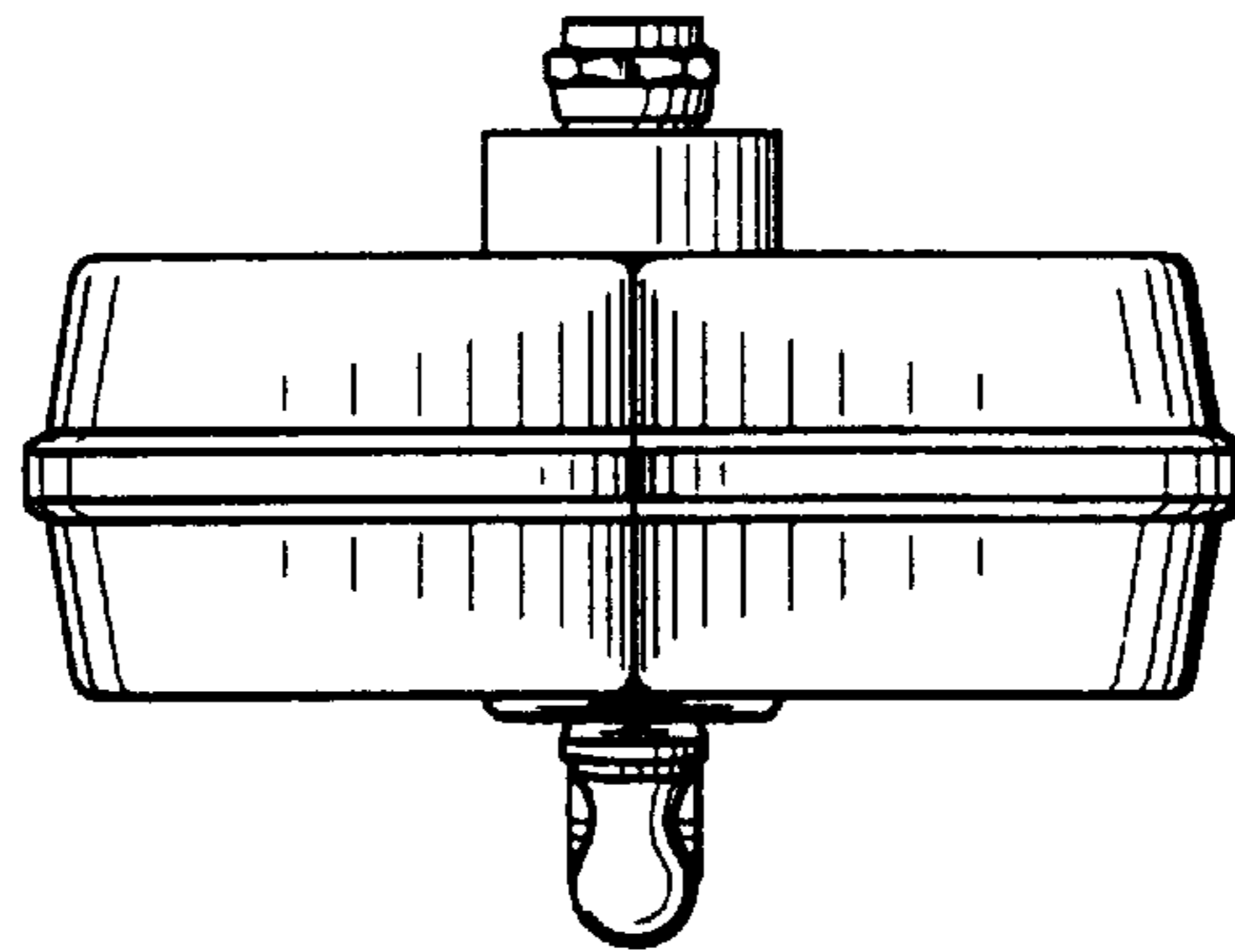


Fig. 10