



US00D399122S

# United States Patent [19] Princell

[11] **Patent Number:** **Des. 399,122**

[45] **Date of Patent:** **\*\*Oct. 6, 1998**

[54] **SPARE TIRE LOCK**

5,426,963 6/1995 Tafoya et al. .... 70/259  
5,638,710 6/1997 Howard, Jr. et al. .... 70/259

[76] Inventor: **William E. Princell**, 7875 Clearwater Cove Dr., Indianapolis, Ind. 46240

*Primary Examiner*—Brian N. Vinson  
*Attorney, Agent, or Firm*—Woodard, Emhardt, Naughton Moriarty & McNett

[\*\*] Term: **14 Years**

[21] Appl. No.: **70,718**

[57] **CLAIM**

[22] Filed: **May 14, 1997**

The ornamental design for a spare tire lock, as shown and described.

[51] **LOC (6) Cl.** ..... **08-07**

**DESCRIPTION**

[52] **U.S. Cl.** ..... **D8/339**

[58] **Field of Search** ..... D8/330, 331; 70/57, 70/58, 225, 259

FIG. 1 is a perspective view of a spare tire lock showing a typical embodiment of my new design;

[56] **References Cited**

**U.S. PATENT DOCUMENTS**

4,076,158	2/1978	Barr	.....	70/259
4,498,614	2/1985	Guarr	.....	70/259 X
4,526,021	7/1985	Princell	.....	70/259 X
4,751,833	6/1988	Stumpf, Jr.	.....	70/259
4,794,771	1/1989	Princell	.....	70/259
5,102,022	4/1992	Knezovich	.....	70/259 X

FIG. 2 is a front elevation view of a spare tire lock;

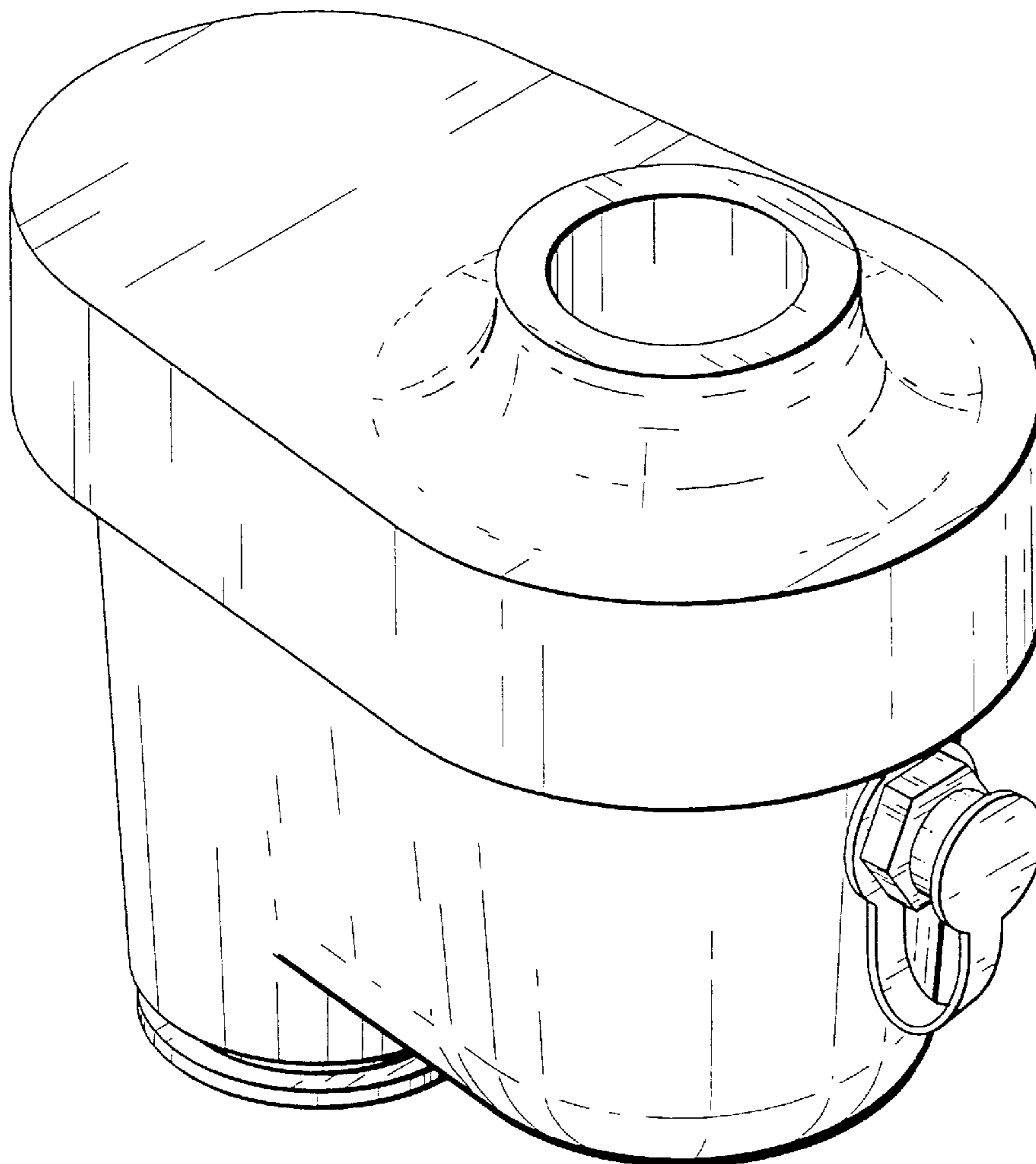
FIG. 3 is a top plan view of a spare tire lock;

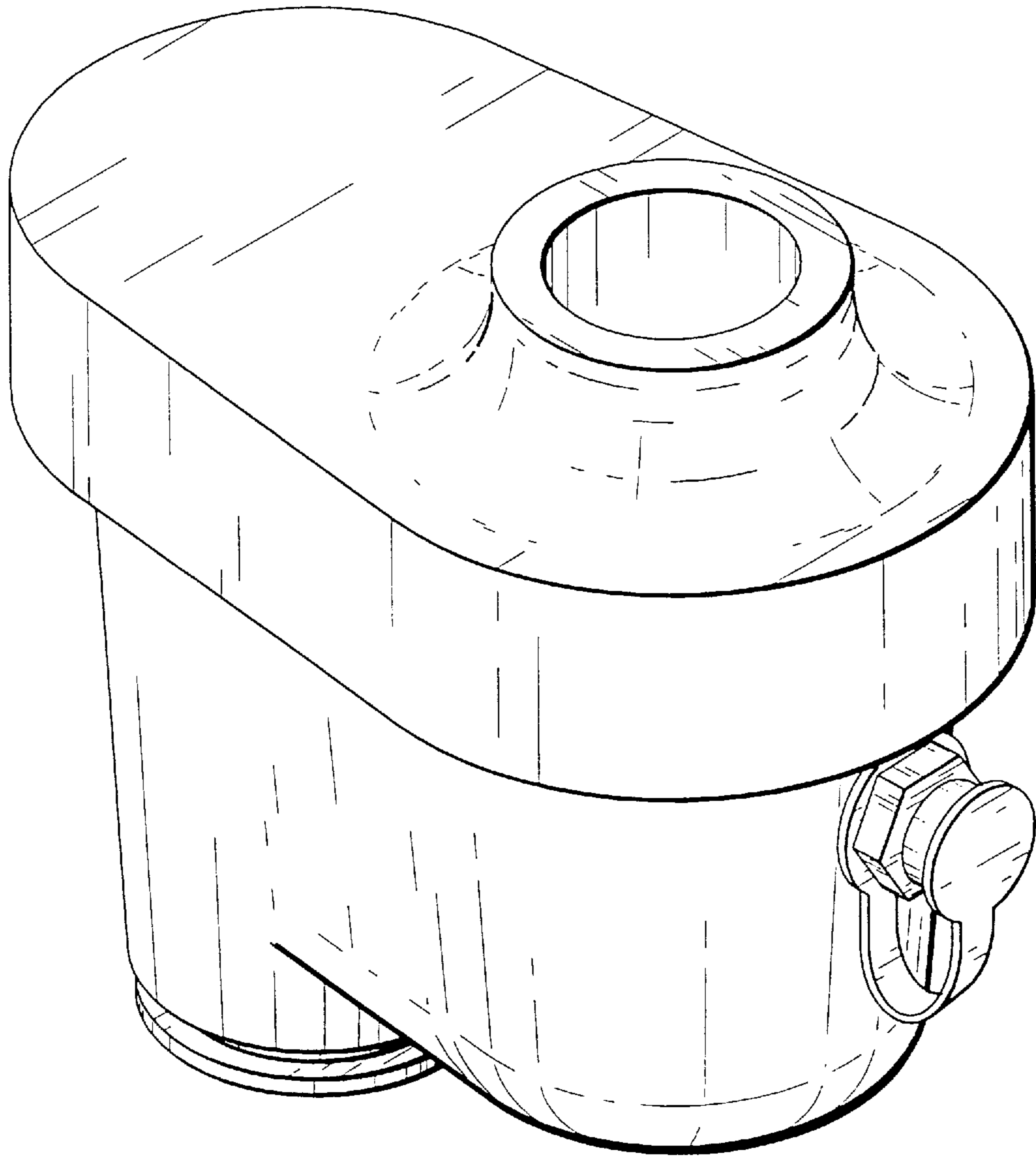
FIG. 4 is a rear elevation view of a spare tire lock;

FIG. 5 is a side view taken from the right side of FIG. 3. The side view taken from the left side of FIG. 3 is the mirror image of FIG. 5; and,

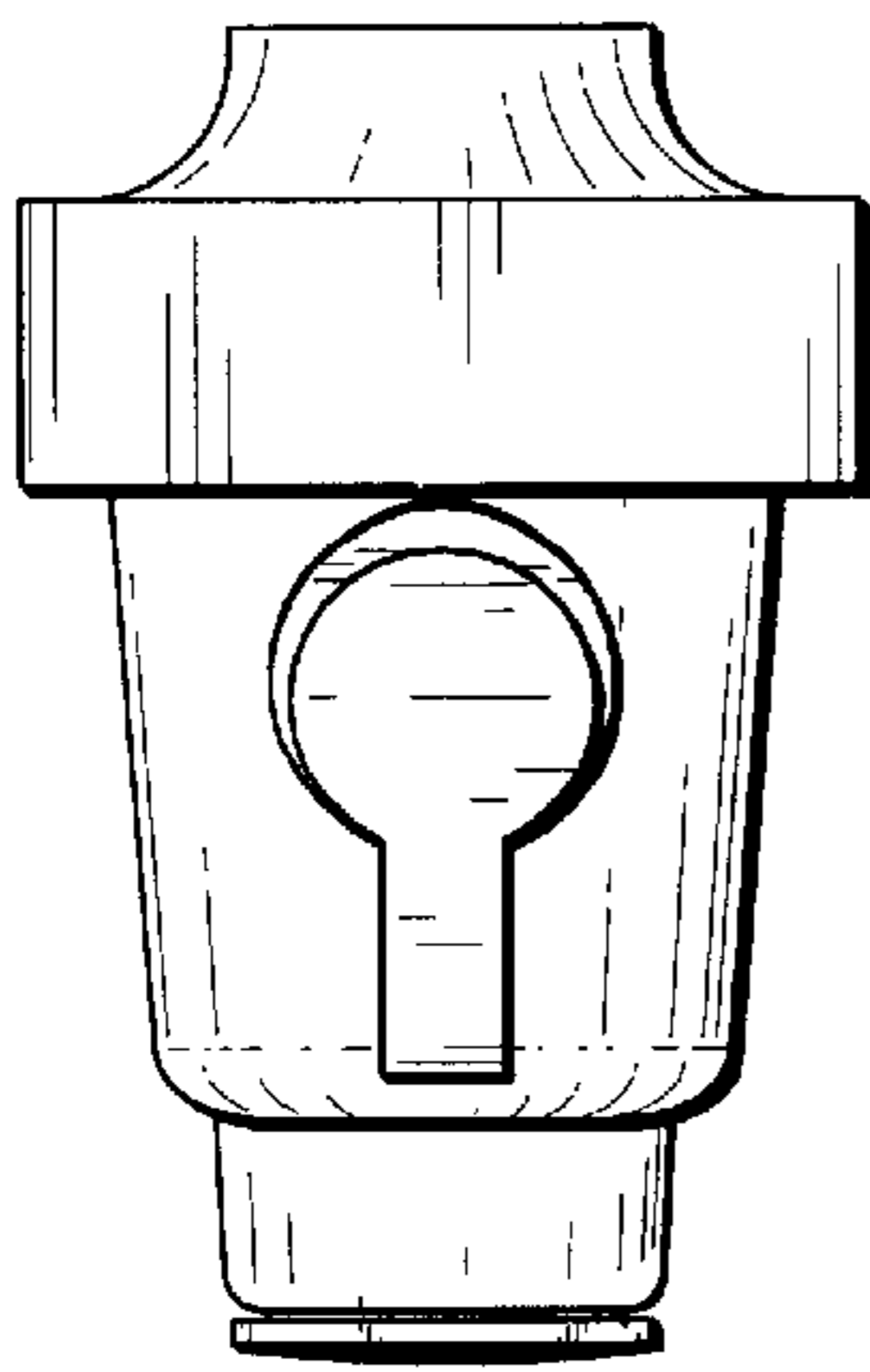
FIG. 6 is a bottom plan view of a spare tire lock.

**1 Claim, 2 Drawing Sheets**

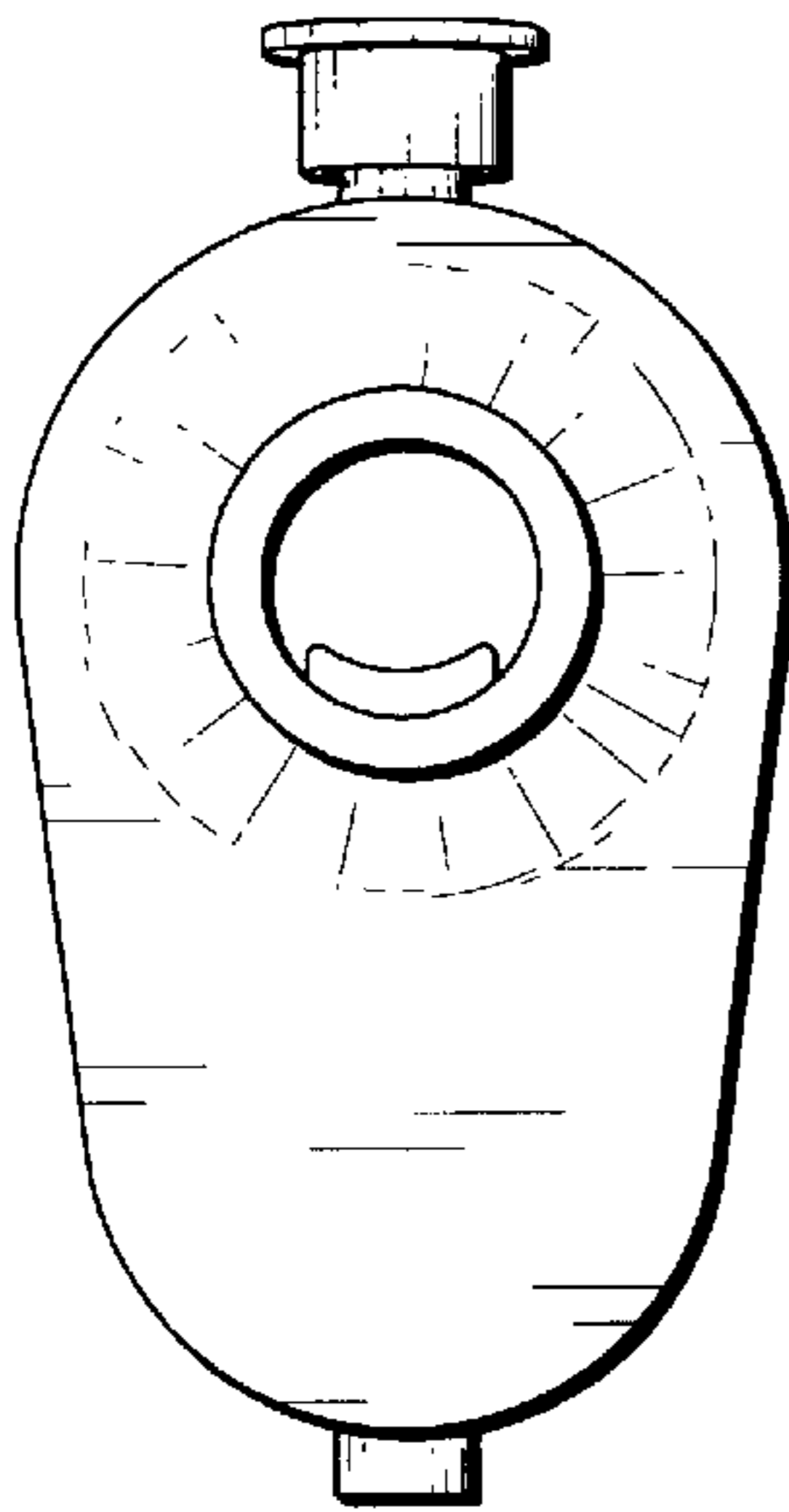




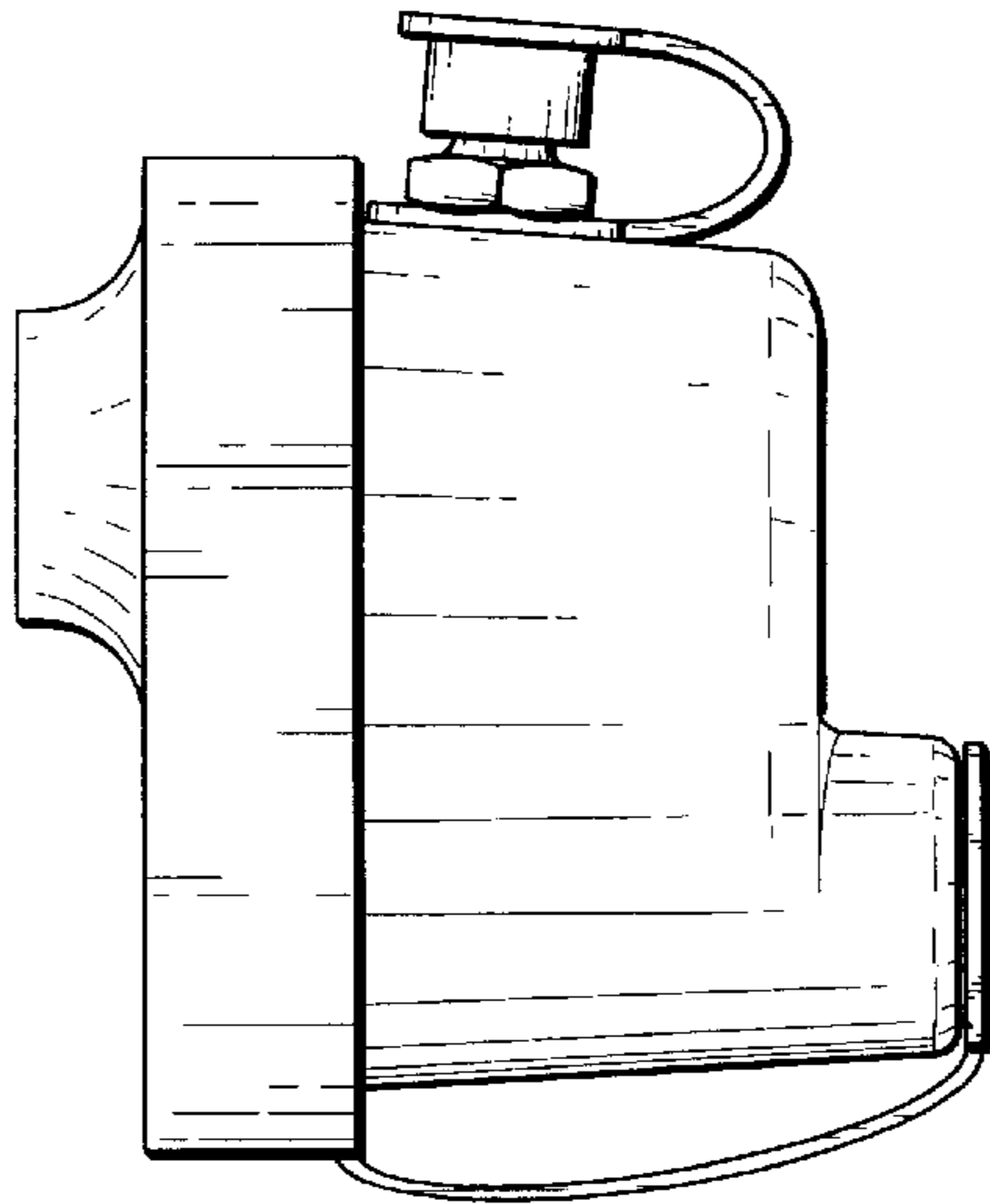
**Fig. 1**



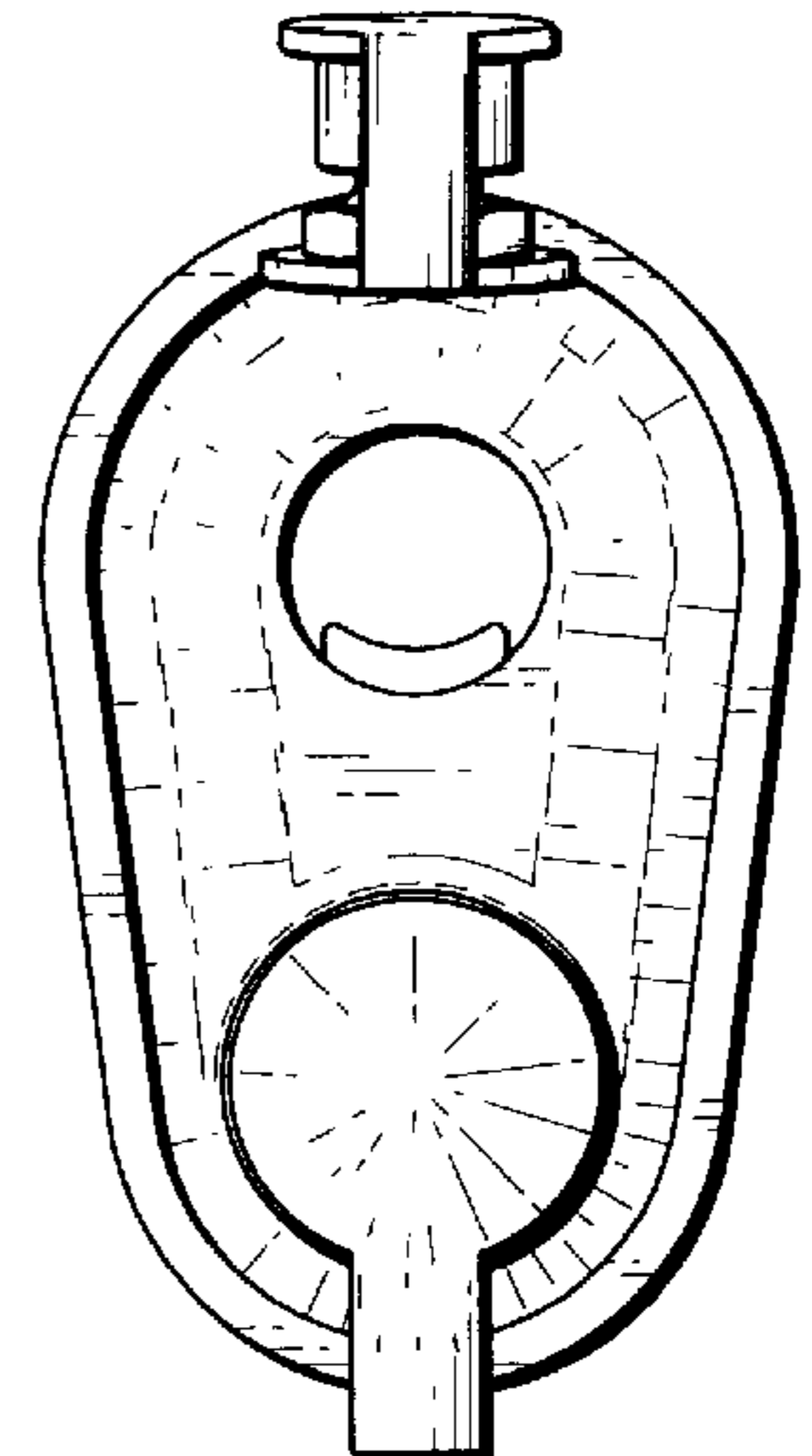
**Fig. 2**



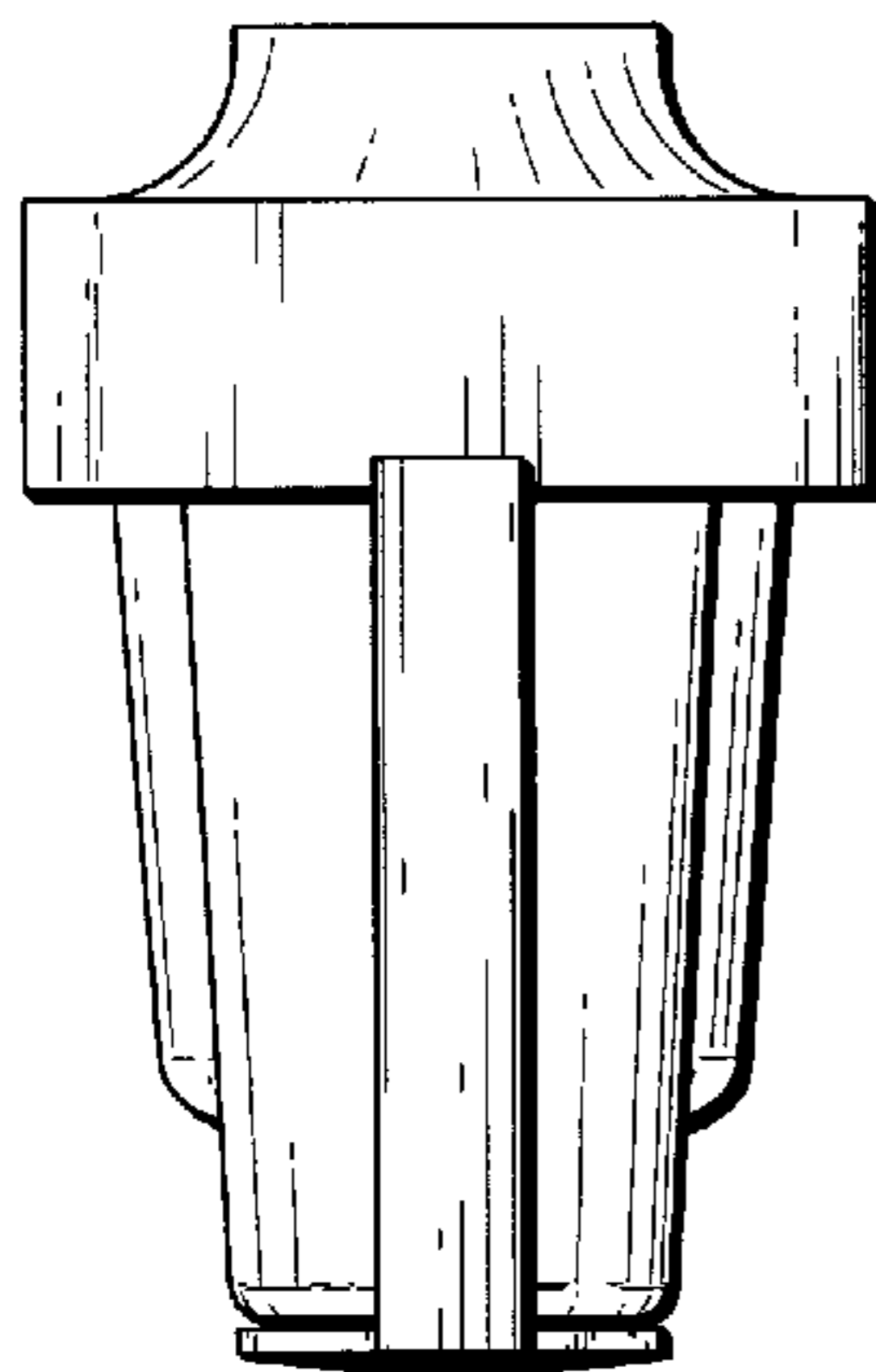
**Fig. 3**



**Fig. 5**



**Fig. 6**



**Fig. 4**