



US00D399118S

United States Patent [19] Navarsky

[11] Patent Number: Des. 399,118

[45] Date of Patent: **Oct. 6, 1998

[54] LOCK FOR A CONTAINER DOOR

[76] Inventor: Victor Navarsky, 354-1, Aza Honcho, Nanae-cho, Kameda-gun, Hokkaido, Japan

[**] Term: 14 Years

[21] Appl. No.: 52,856

[22] Filed: Apr. 10, 1996

[51] LOC (6) Cl. 08-07

[52] U.S. Cl. D8/333; D8/331

[58] Field of Search D8/330, 331, 333; 70/14, 57, 77, 91, 94, 107

[56] References Cited

U.S. PATENT DOCUMENTS

D. 281,947	12/1985	Greco	D8/331
D. 294,452	3/1988	Bakula	D8/330
D. 351,984	11/1994	Victor	D8/331
4,003,227	1/1977	Casey	70/14

Primary Examiner—Brian N. Vinson
Attorney, Agent, or Firm—Wenderoth, Lind & Ponack

[57] CLAIM

I claim the ornamental design for the article a lock for a container door, as shown and described.

DESCRIPTION

FIG. 1 is a top plan view of a lock for a container door showing my new design;

FIG. 2 is a front elevational view thereof;

FIG. 3 is a rear elevational view thereof;

FIG. 4 is a horizontal cross-sectional view thereof, taken along line 4—4 of FIG. 2;

FIG. 5 is a right side elevational view thereof;

FIG. 6 is a left side elevational view thereof;

FIG. 7 is a top, front, and right side perspective view thereof;

FIG. 8 is an exploded top, front, and right side perspective view thereof;

FIG. 9 is a top, rear, and right side perspective view thereof;

FIG. 10 is an exploded top, rear, and right side perspective view thereof;

FIG. 11 is a bottom plan view thereof;

FIG. 12 is a greatly reduced top, front, and right side perspective view thereof, showing the lock mounted on a container door, the broken-line disclosure of which is for illustrative purposes only and forms no part of the claimed design; and,

FIG. 13 is a reduced, exploded top, front, and right side perspective view thereof, showing the lock positioned relative to a handle, handle fitting and locking rod, the broken-line disclosures of which are for illustrative purposes only and form no part of the claimed design.

1 Claim, 5 Drawing Sheets

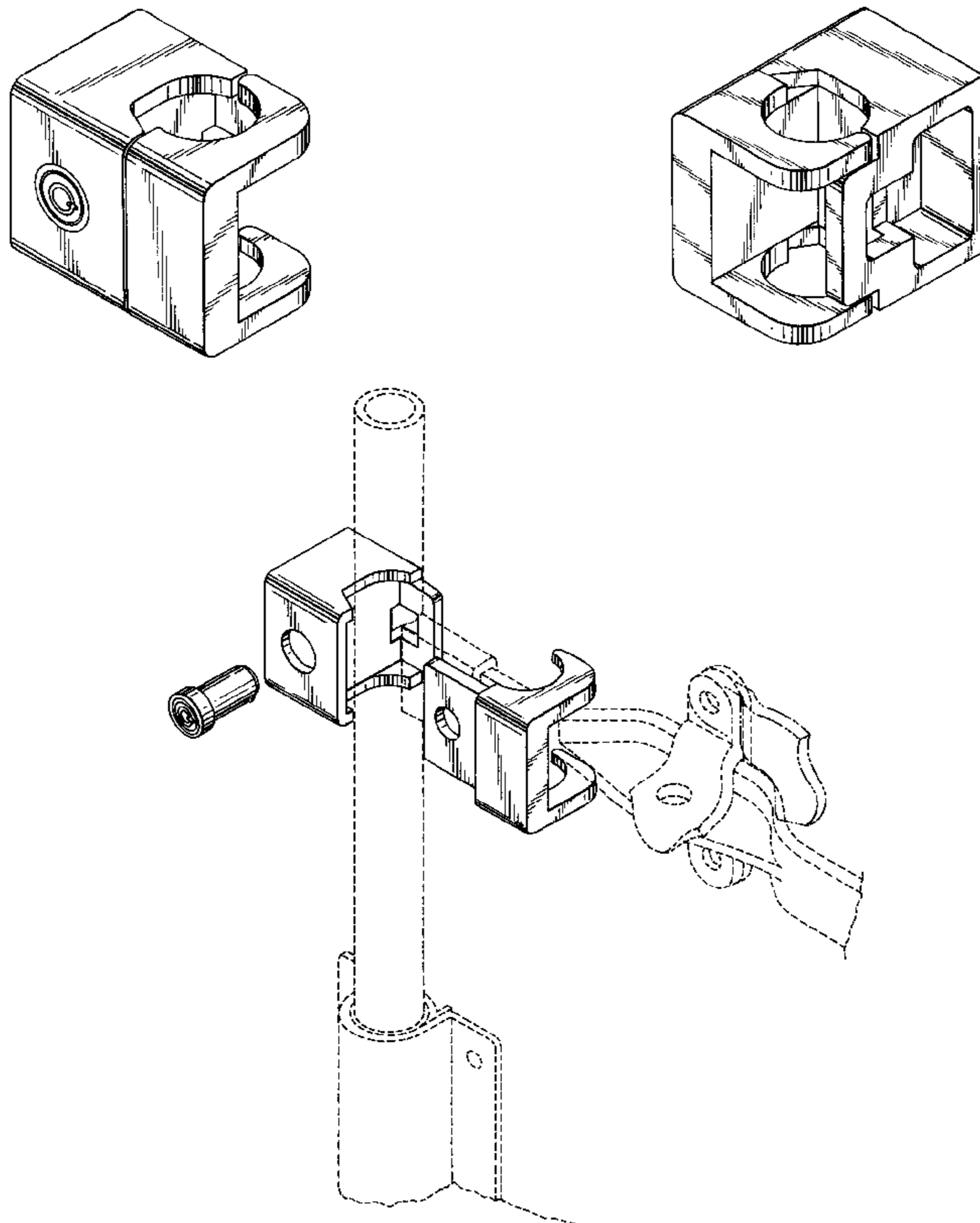


FIG. 1

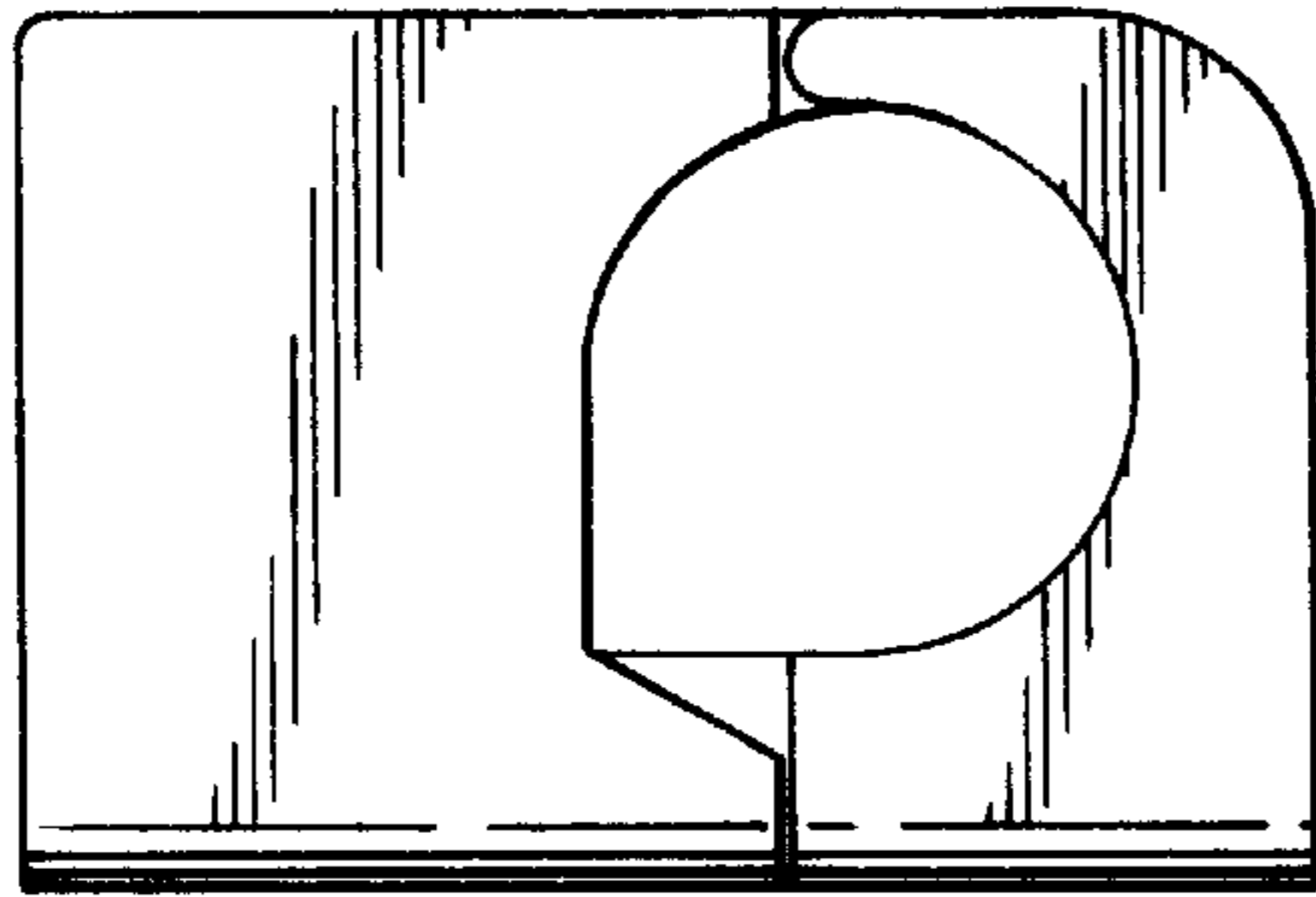


FIG. 4

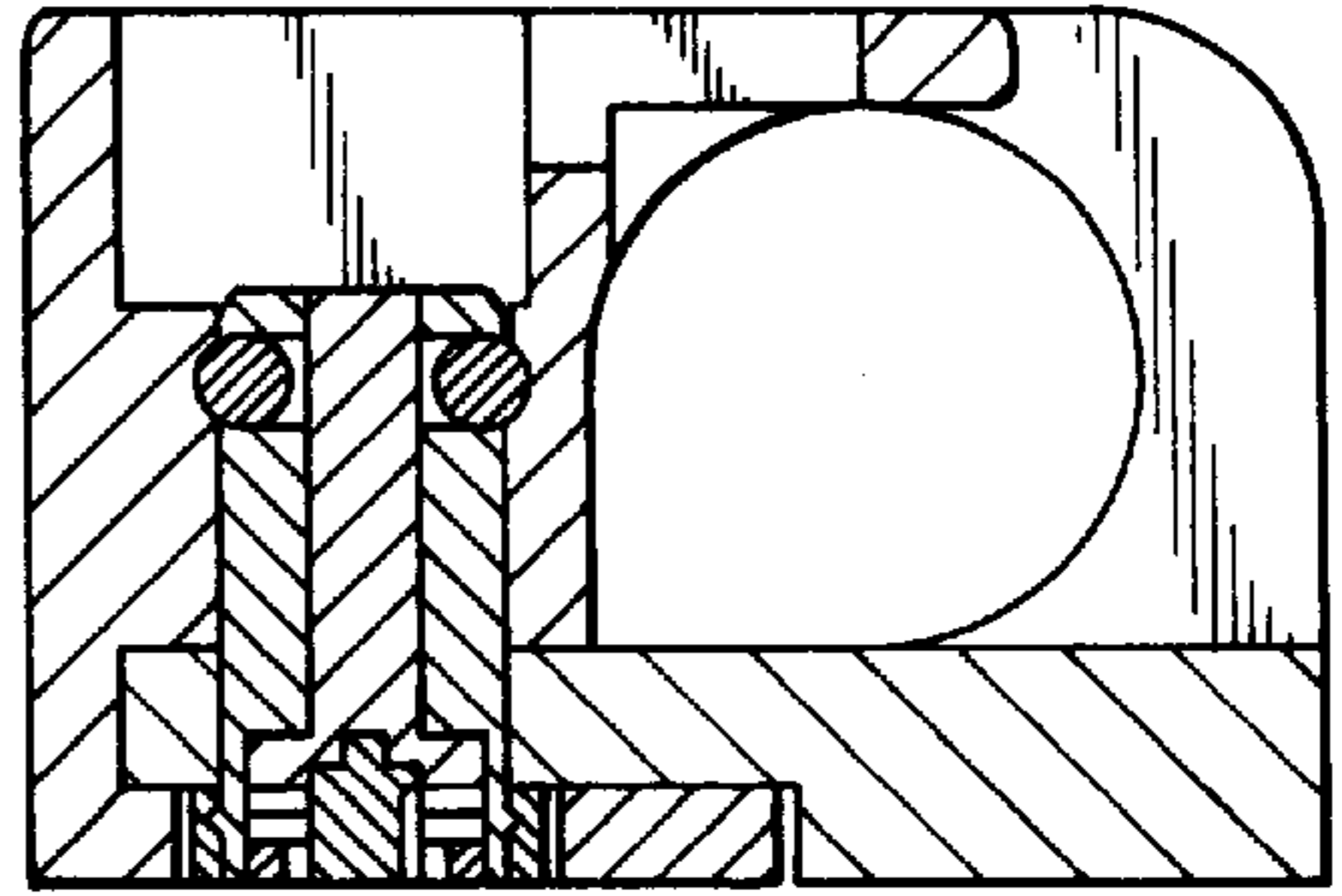


FIG. 2

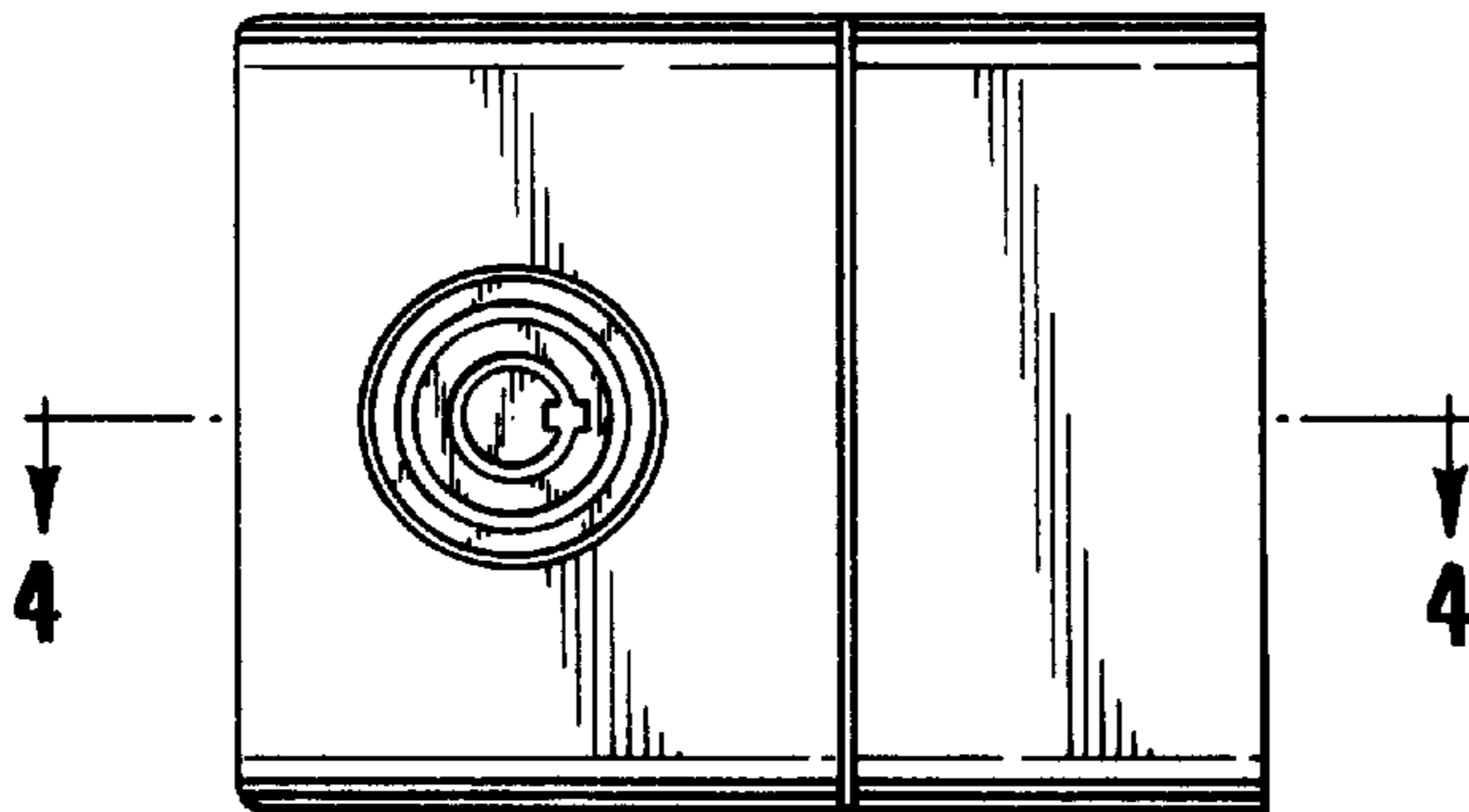


FIG. 5

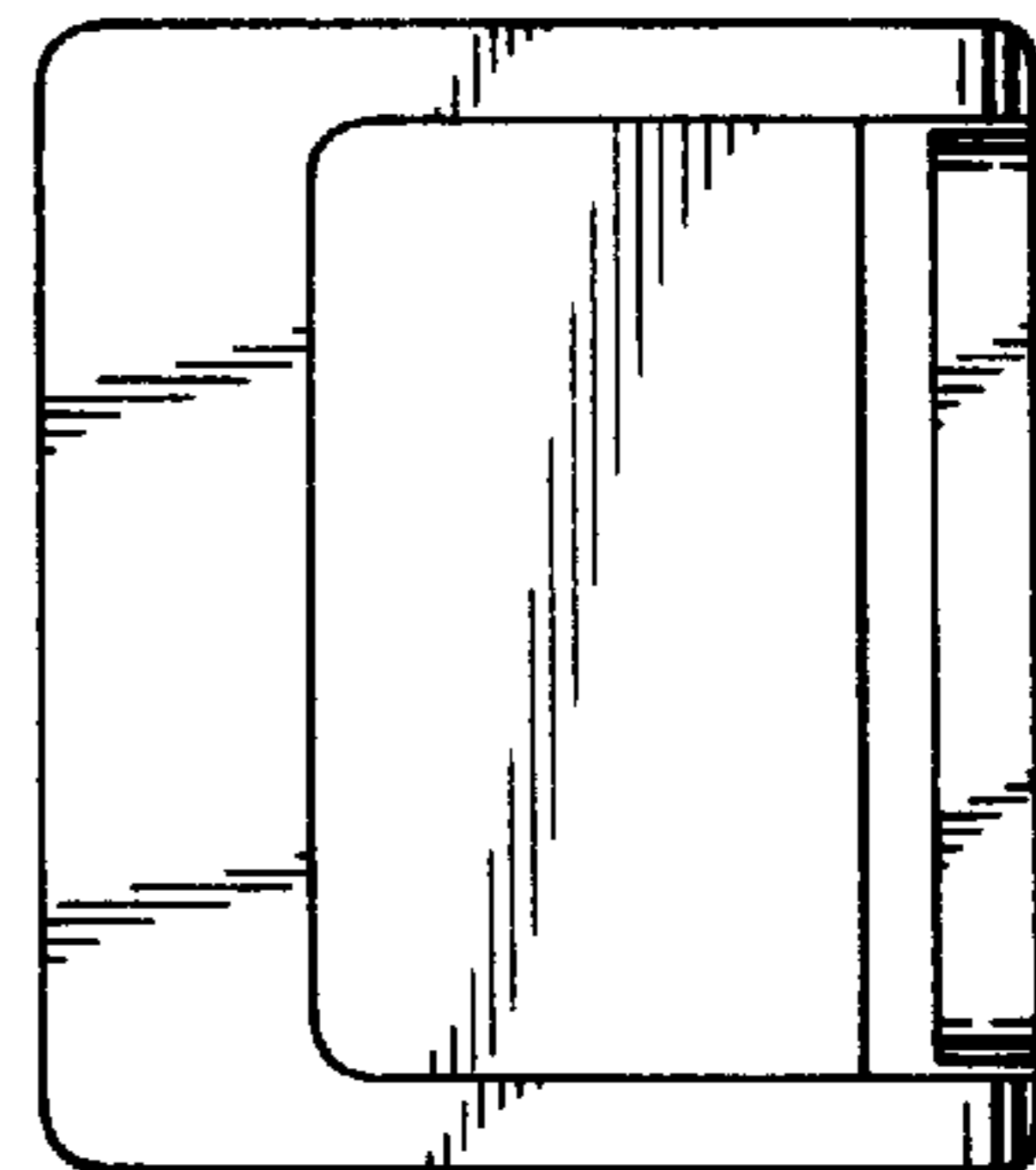


FIG. 3

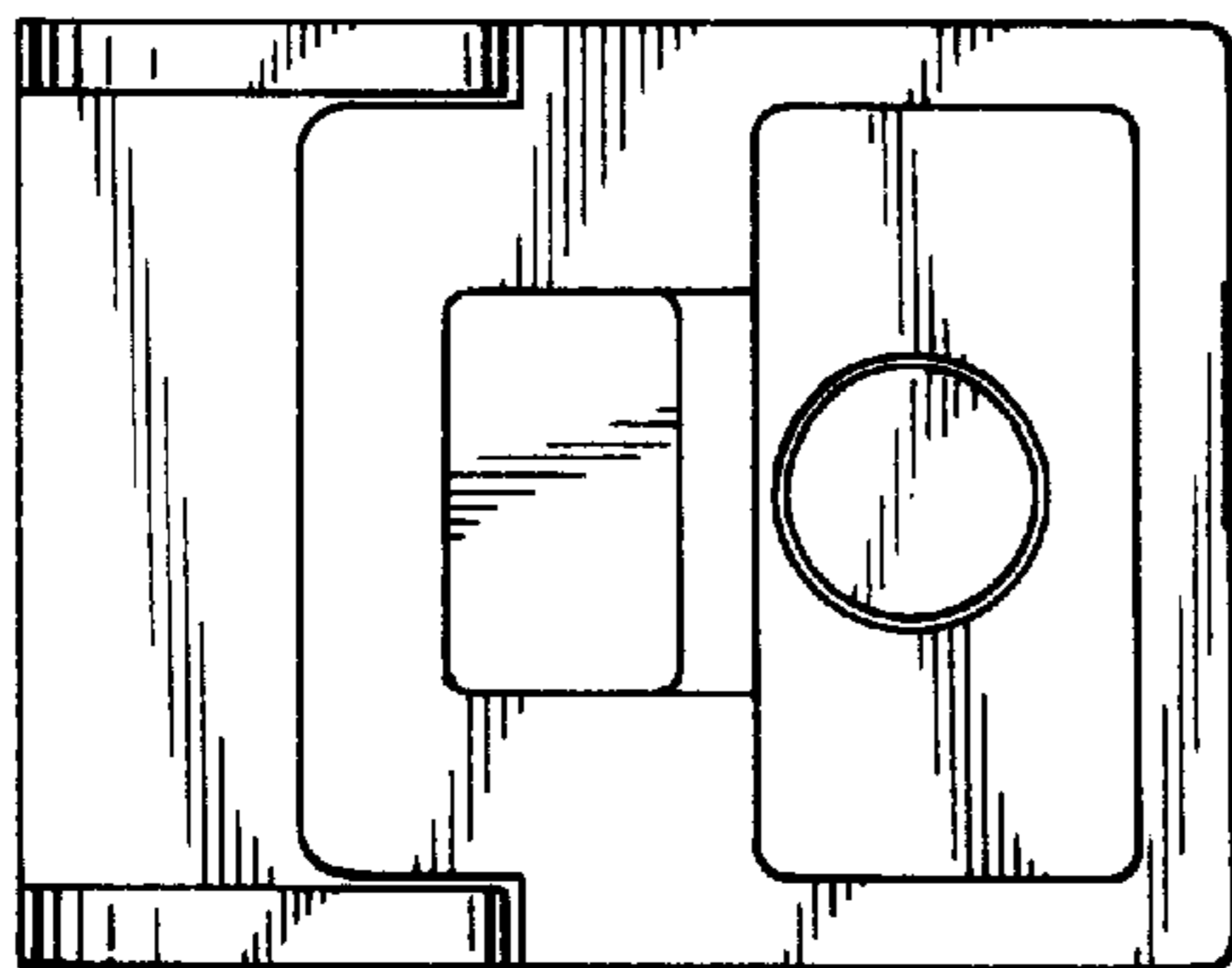


FIG. 6

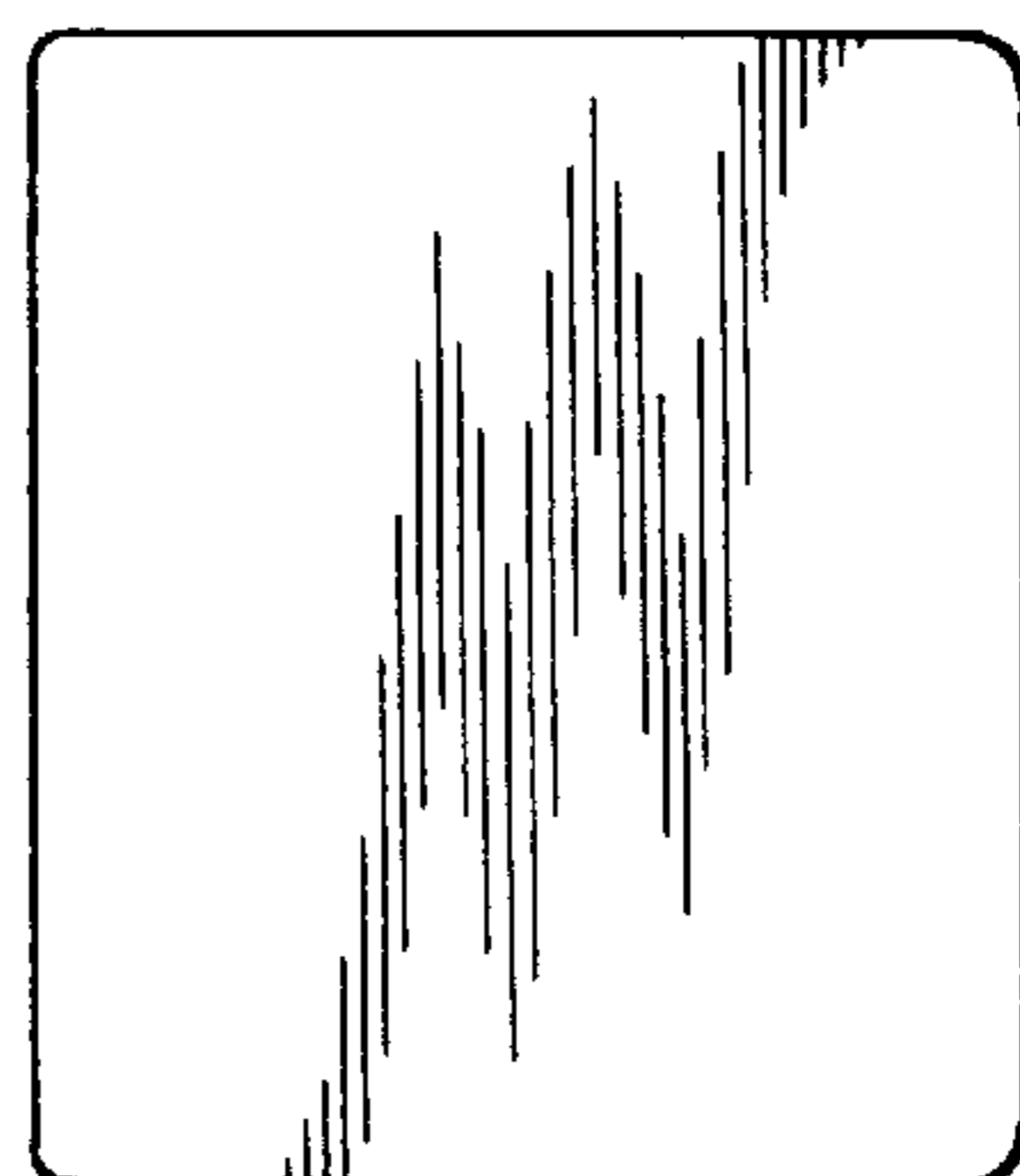


FIG. 7

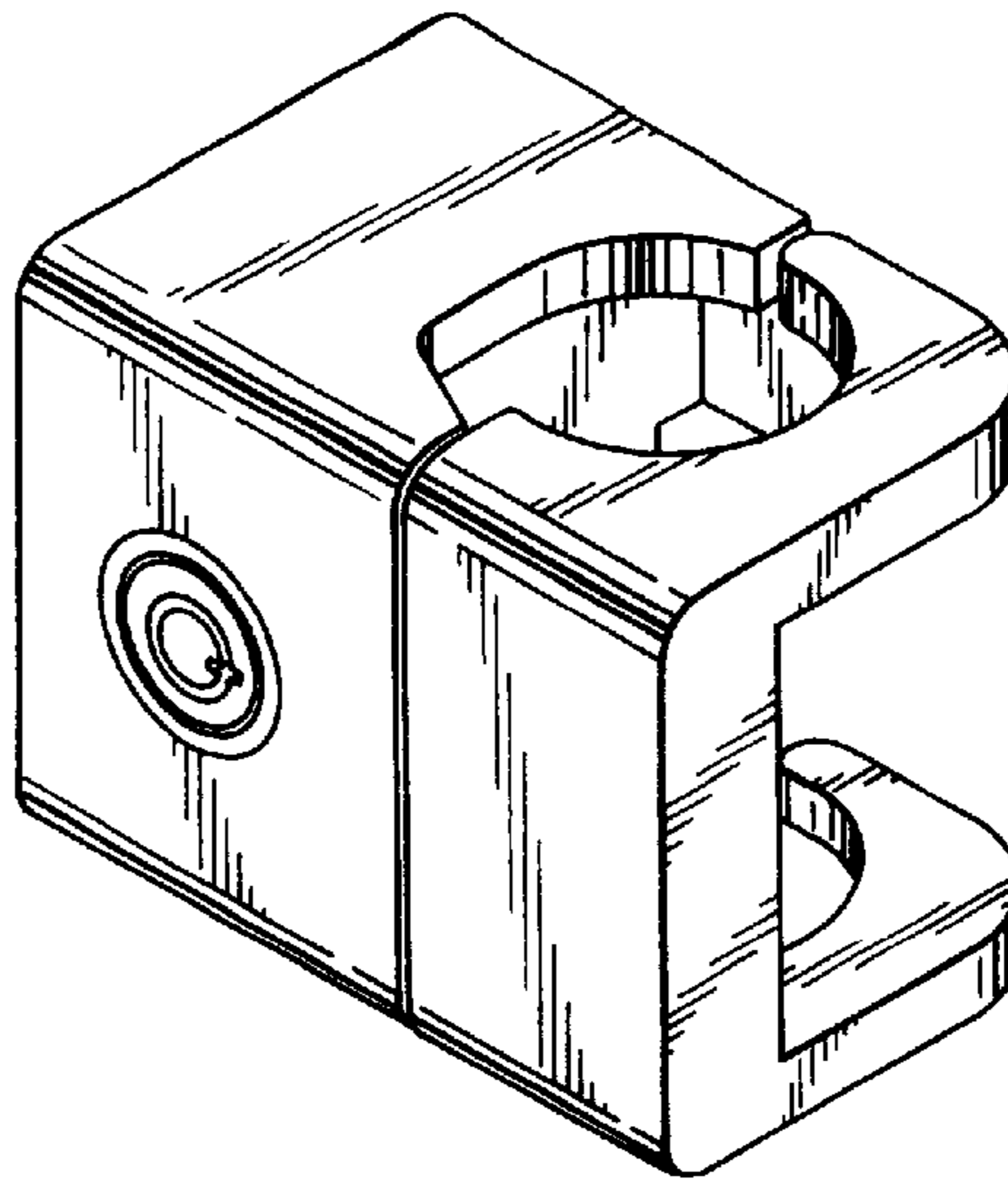


FIG. 8

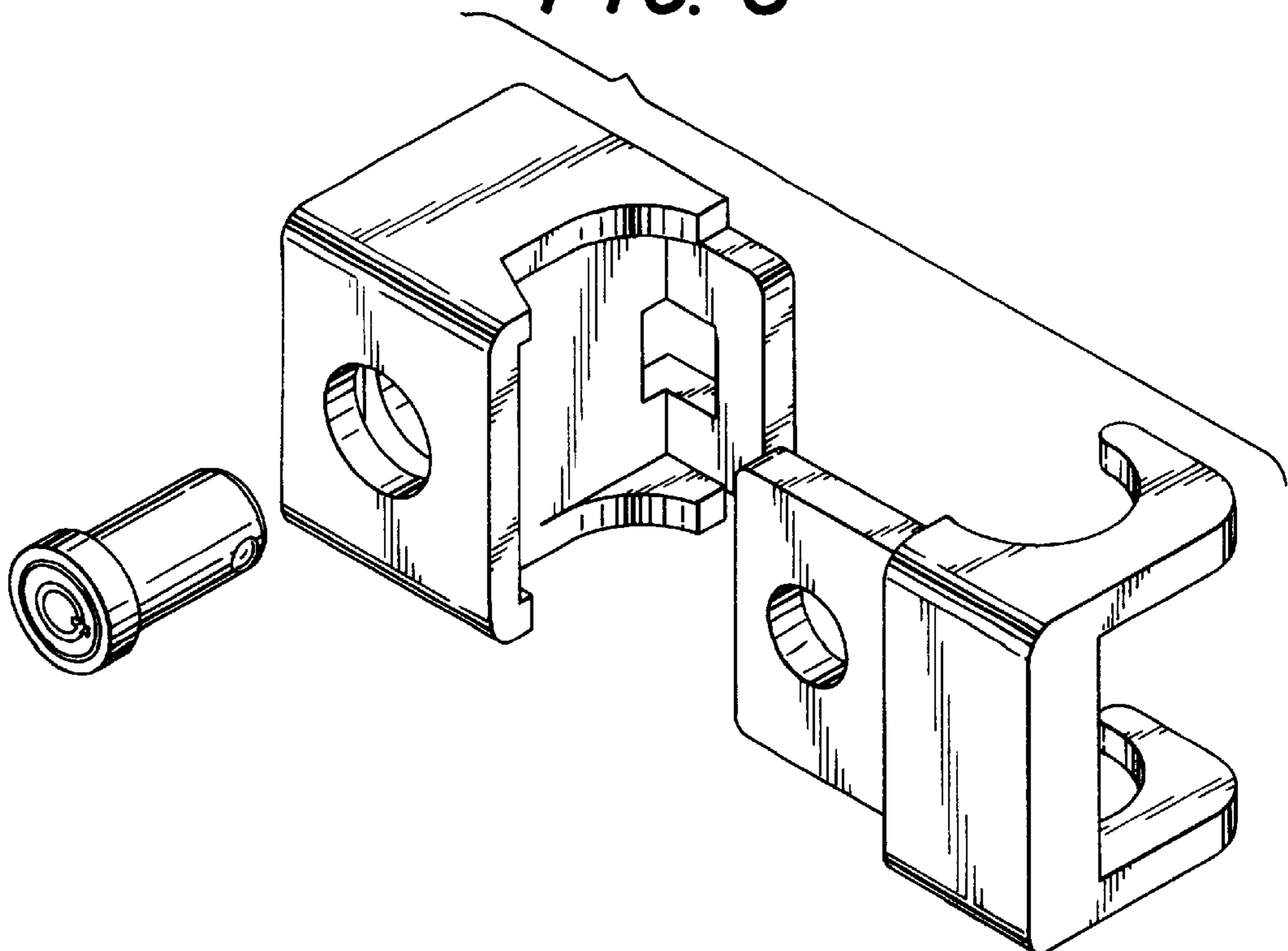


FIG. 9

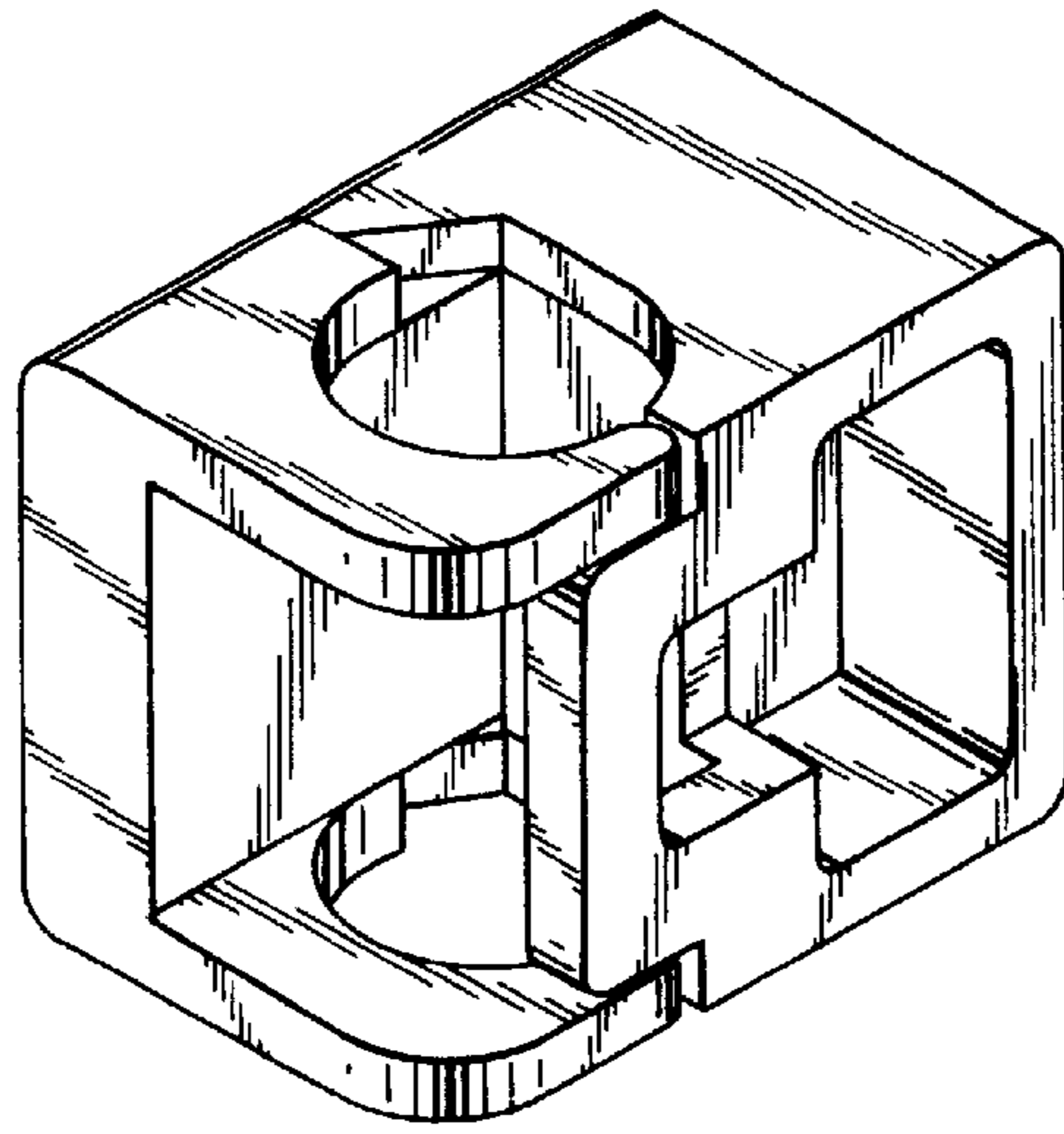


FIG. 10

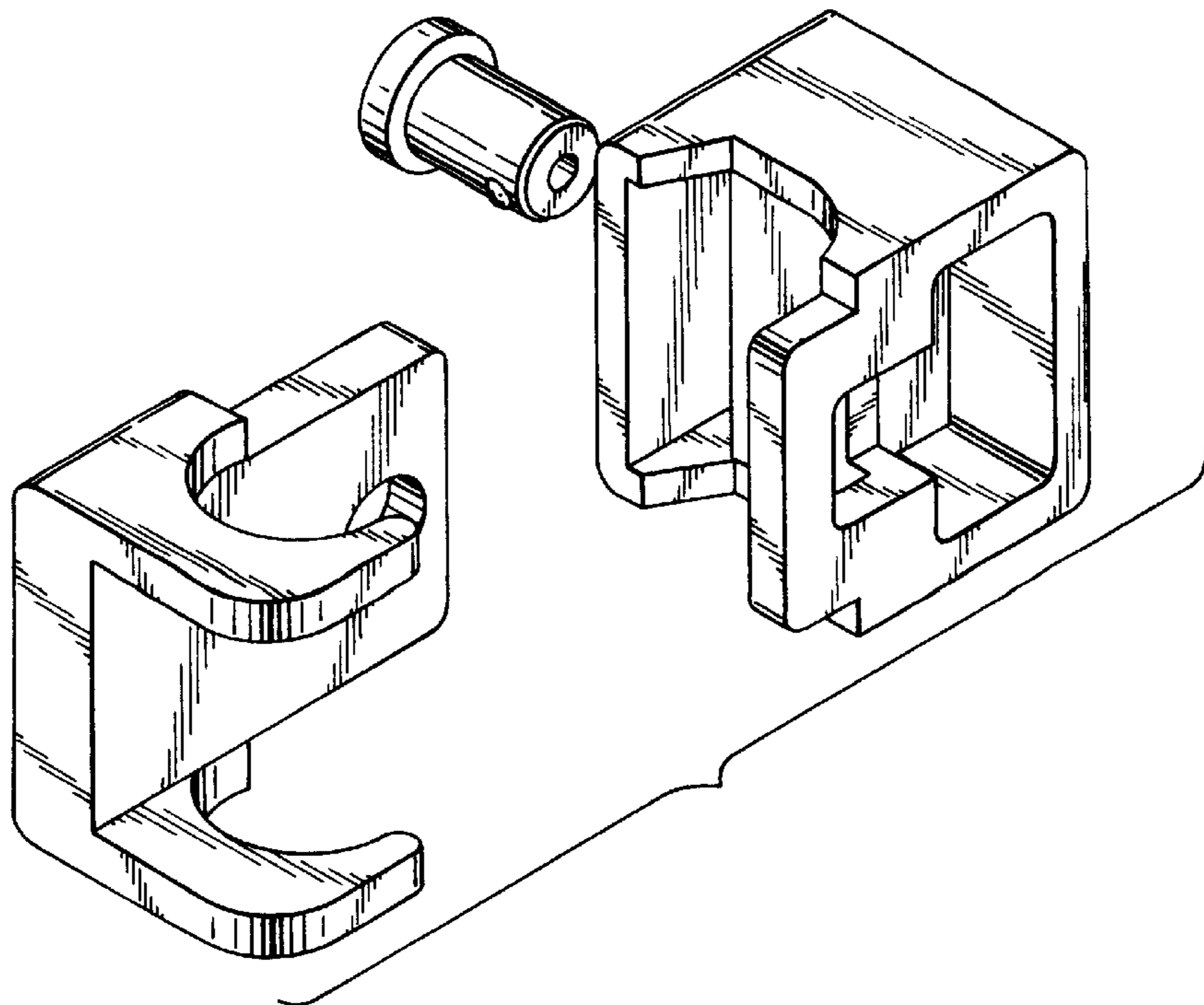


FIG. 11

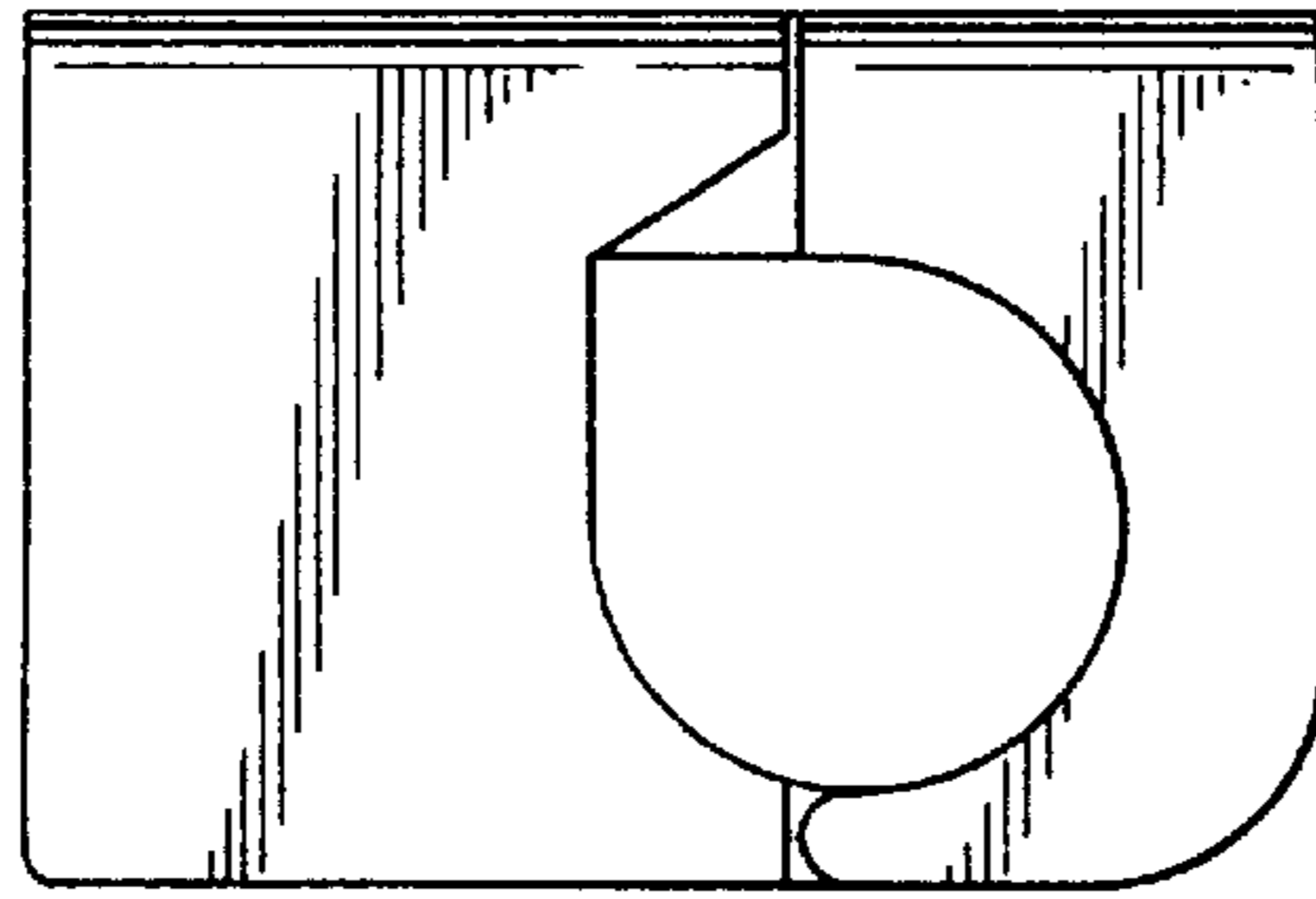


FIG. 12

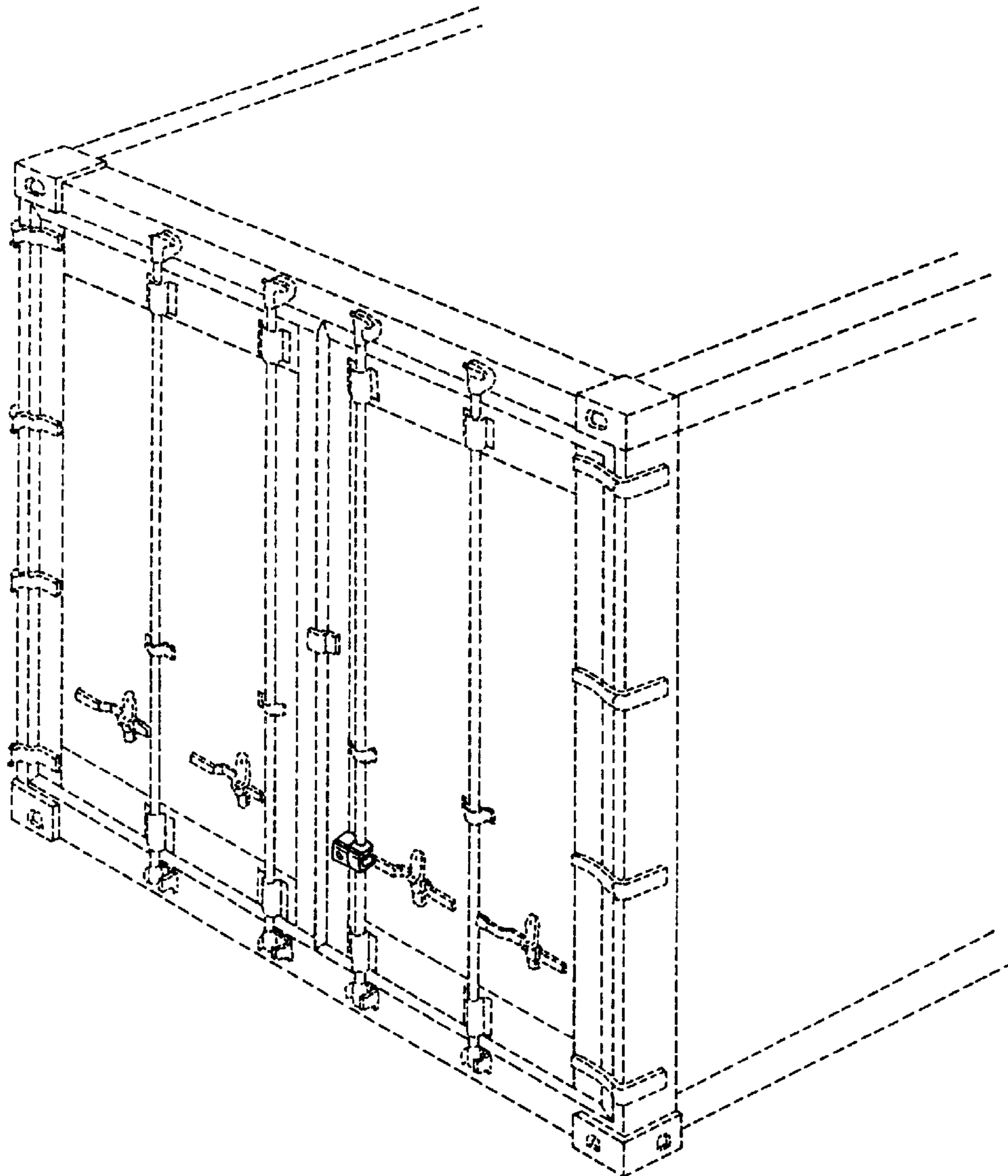


FIG. 13

