



US00D399115S

United States Patent [19] Rivera

[11] **Patent Number: Des. 399,115**

[45] **Date of Patent: **Oct. 6, 1998**

[54] **PLUNGE OF A KNIFE BLADE**

[75] Inventor: **Benjamin C. Rivera**, West Linn, Oreg.

[73] Assignee: **Leatherman Tool Group, Inc.**,
Portland, Oreg.

[**] Term: **14 Years**

[21] Appl. No.: **79,221**

[22] Filed: **Oct. 30, 1997**

[51] **LOC (6) Cl.** **08-03**

[52] **U.S. Cl.** **D8/99**

[58] **Field of Search** D8/98, 99, 20;
D22/118; 30/151, 152, 153, 154, 155, 156,
157, 158, 159, 160, 161, 162

[56] **References Cited**

U.S. PATENT DOCUMENTS

D. 280,179	8/1985	Miceli	D8/99
D. 304,154	10/1989	Osterhout	D8/99
D. 344,006	2/1994	Glesser	D8/99
2,869,232	1/1959	Kivela	30/161
4,347,665	9/1982	Glesser	30/161
4,555,822	12/1985	Miceli	7/119
5,111,581	5/1992	Collins	30/161
5,511,310	4/1996	Sessions et al.	30/161
5,537,750	7/1996	Seber et al.	30/161

OTHER PUBLICATIONS

SOG, Auto-Clip folding knife, prior to Jun. 1997.
Hoppe, Division of Penguin Industries, Coatesville, PA,
folding knife with hex wrenches, prior to Jun 1997.

Primary Examiner—Philip S. Hyder
Attorney, Agent, or Firm—Chernoff, Vilhauer, McClung &
Stenzel

[57] **CLAIM**

The ornamental design for a plunge of a knife blade, as
shown and described.

DESCRIPTION

FIG. 1 is a side elevational view of a knife blade, which
incorporates my new design, with portions of the view being
shown in broken line for the purpose of illustrating the
structural environment of the new design and not being part
of the design sought to be patented;

FIG. 2 is an isometric view of the plunge of a knife blade
shown in solid line in FIG. 1, showing my new design;

FIG. 3 is a top plan view showing the back thereof;

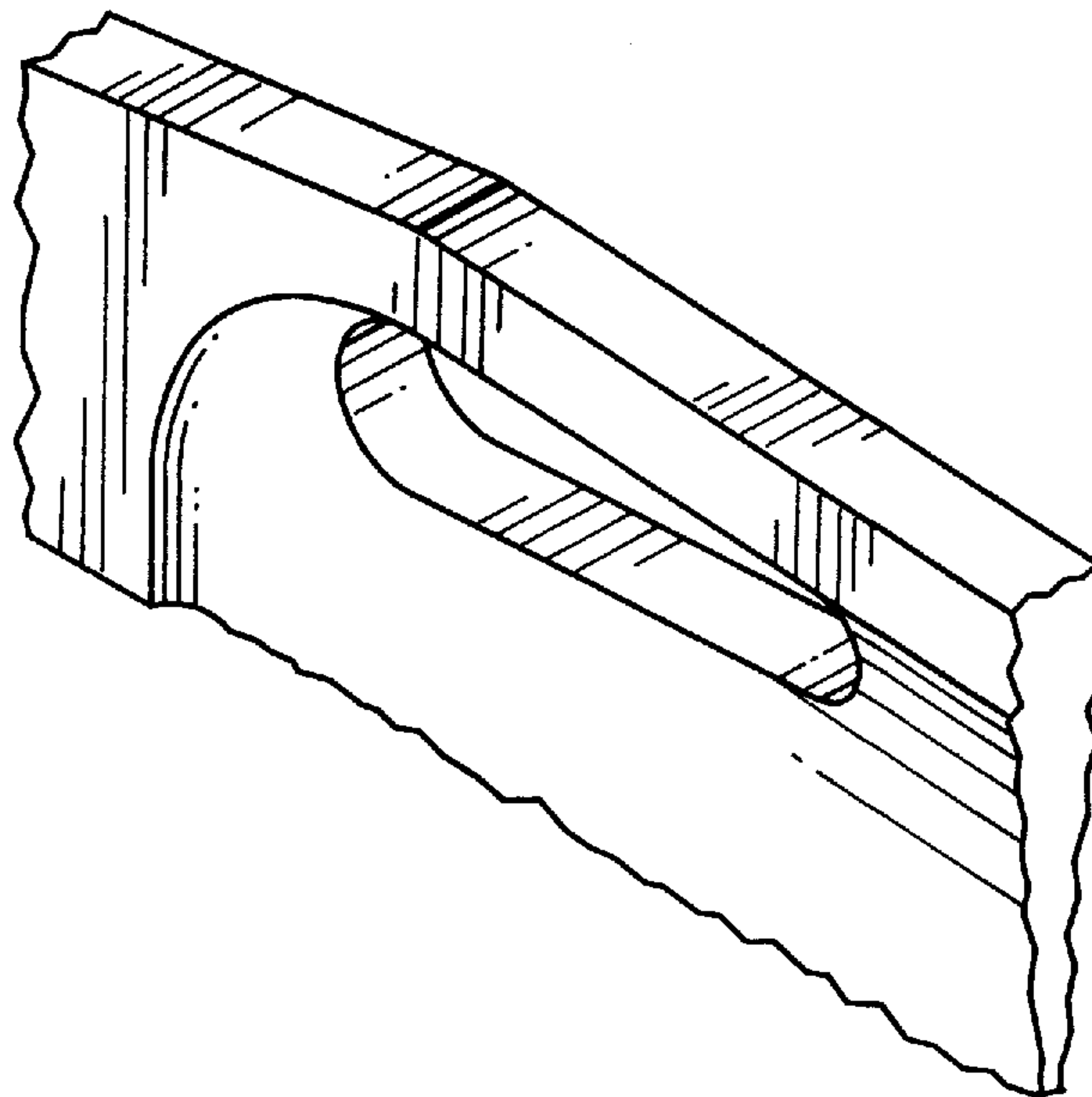
FIG. 4 is a bottom plan view showing the edge thereof;

FIG. 5 is a left end view thereof;

FIG. 6 is a section view thereof, taken along line 6—6; and,

FIG. 7 is a right end view thereof.

1 Claim, 1 Drawing Sheet



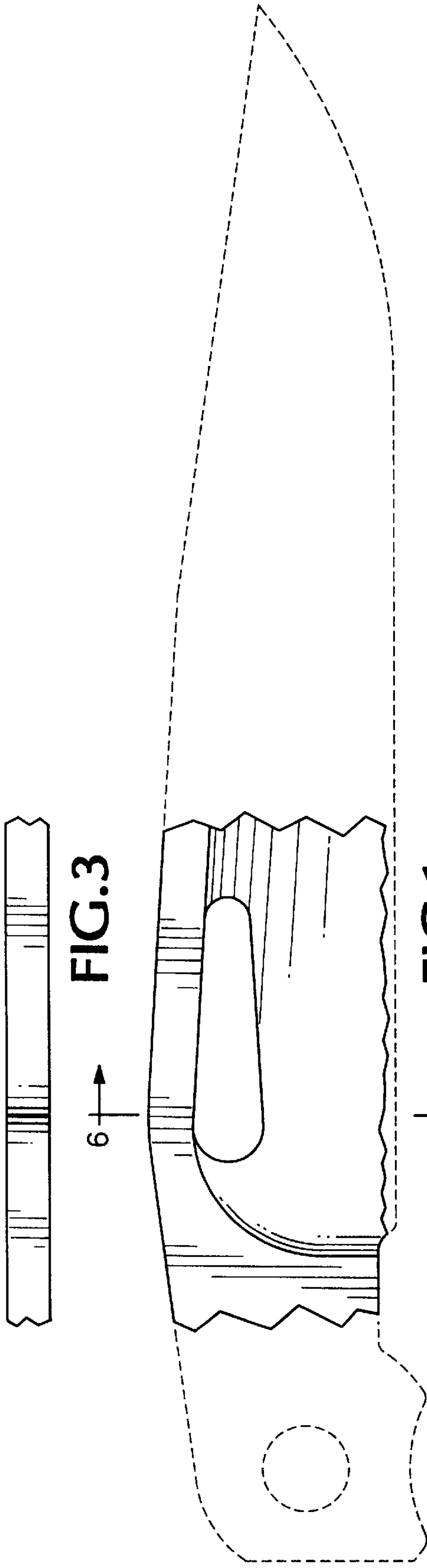


FIG. 1

FIG. 3

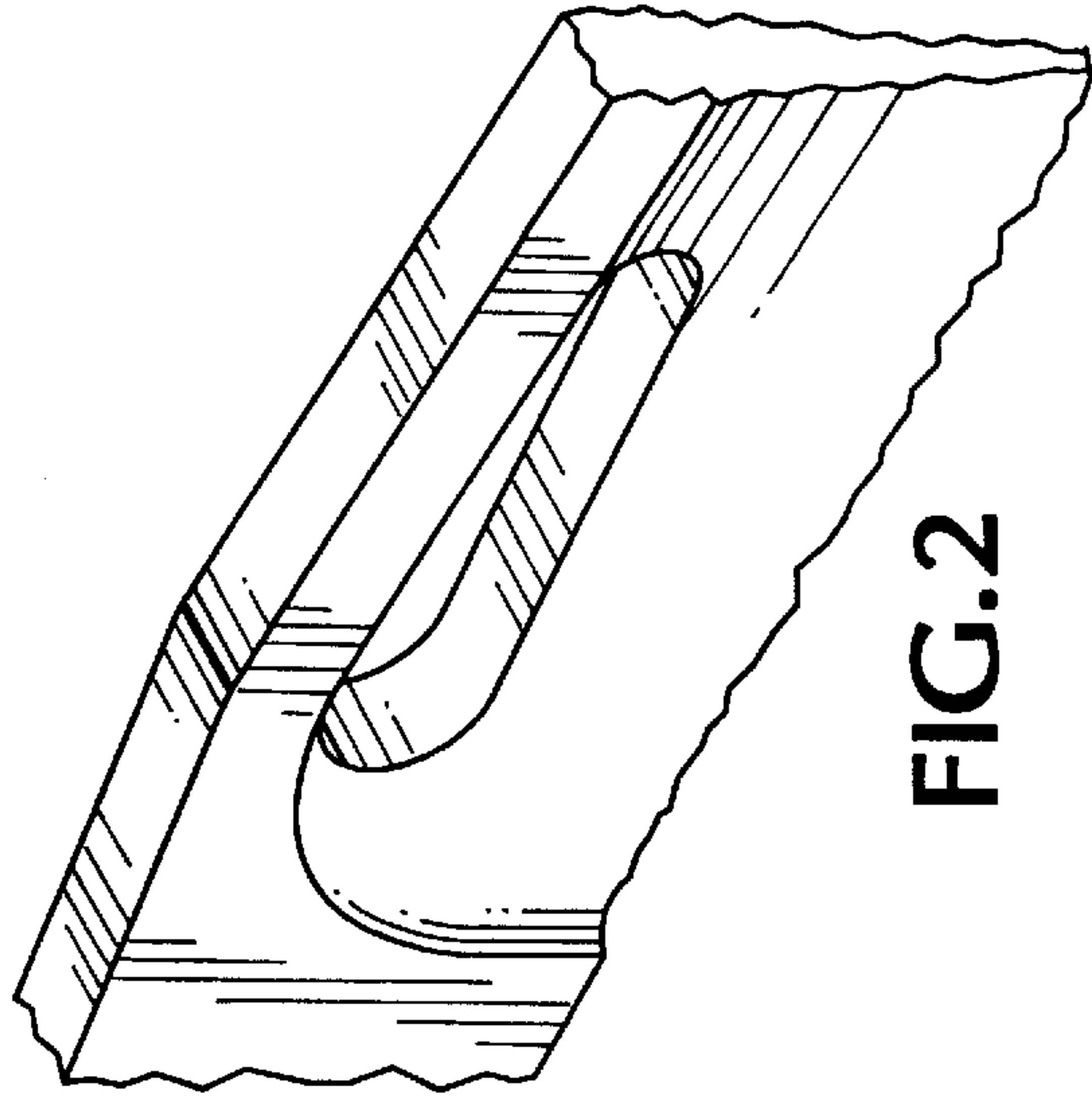


FIG. 2



FIG. 4



FIG. 5



FIG. 6



FIG. 7