



US00D399114S

United States Patent [19] Okada

[11] **Patent Number: Des. 399,114**
[45] **Date of Patent: **Oct. 6, 1998**

[54] **RETRACTABLE KNIFE**

[75] Inventor: **Shoji Okada**, Osaka, Japan
[73] Assignee: **Olfab Kabushiki Kaisha**, Osaka, Japan
[**] Term: **14 Years**

[21] Appl. No.: **74,872**
[22] Filed: **Aug. 11, 1997**

[30] **Foreign Application Priority Data**

May 26, 1997 [JP] Japan 9-55788

[51] **LOC (6) Cl.** **08-03**
[52] **U.S. Cl.** **D8/99**
[58] **Field of Search** D8/98, 99, 107;
30/162, 320, 329, 335, 337

[56] **References Cited**

U.S. PATENT DOCUMENTS

D. 264,801	6/1982	Osada	D8/99
D. 264,802	6/1982	Osada	D8/99
D. 264,803	6/1982	Machida	D8/99
D. 324,475	3/1992	Staubitz et al.	D8/99
D. 347,563	6/1994	Okada	D8/99
D. 354,900	1/1995	Hirai	D8/99
D. 386,959	12/1997	Okada	D8/99
4,226,020	10/1980	Quenot et al.	30/162
5,269,063	12/1993	Okada	30/320
5,502,896	4/1996	Chen	30/162

OTHER PUBLICATIONS

Spectrum Razor Tool Catalog, p. 8, Aug. 1995.
Olfab Catalogue, printed in Japan, Feb. 1997.

Primary Examiner—Philip S. Hyder
Attorney, Agent, or Firm—Ostrolenk, Faber, Gerb & Soffen, LLP

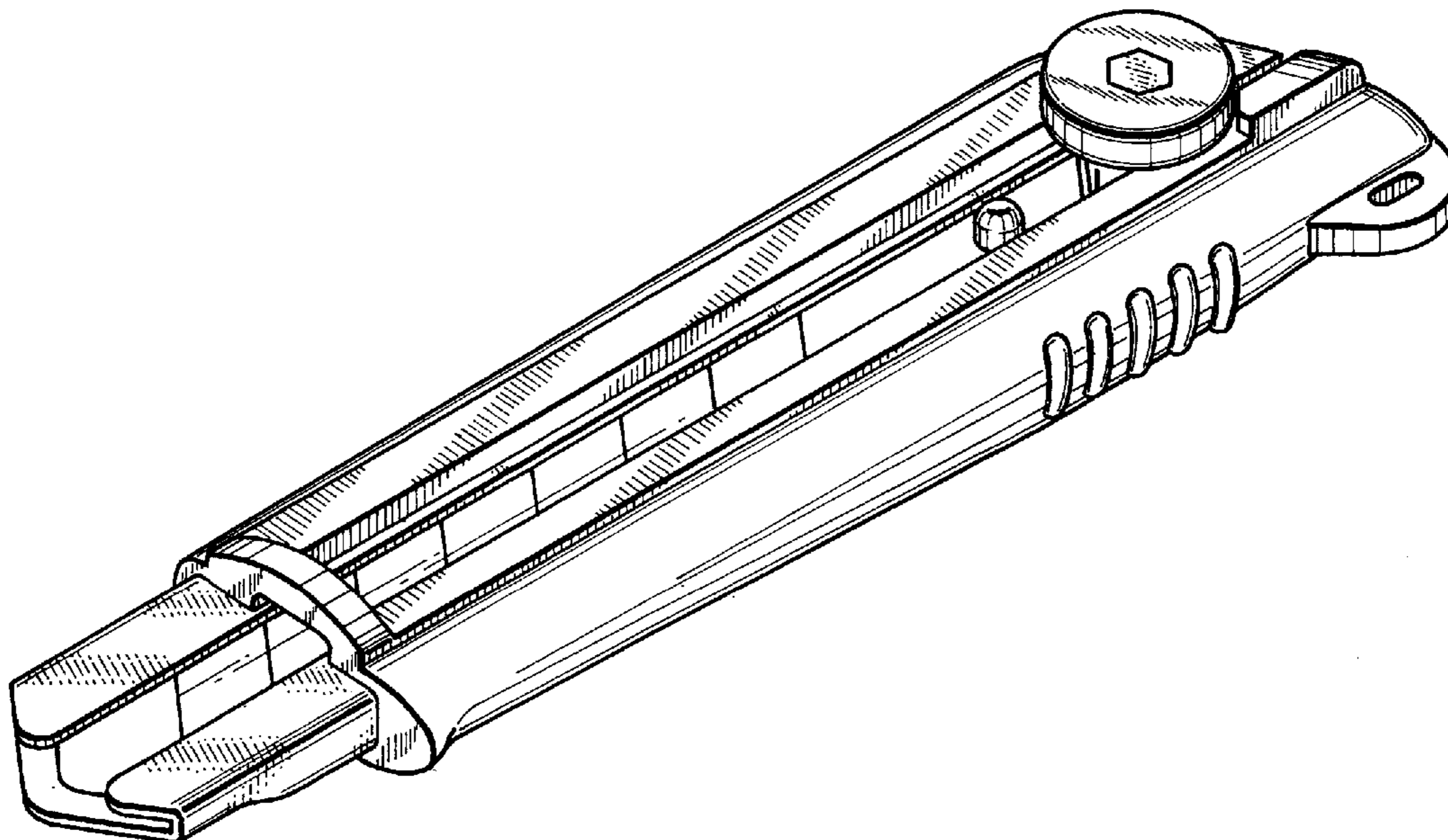
[57] **CLAIM**

The ornamental design for a retractable knife, as shown and described.

DESCRIPTION

FIG. 1 is a front side perspective view of a retractable knife showing my new design;
FIG. 2 is a rear side perspective view thereof;
FIG. 3 is a top plan view thereof;
FIG. 4 is a front elevational view thereof;
FIG. 5 is a rear elevational view thereof;
FIG. 6 is a bottom plan view thereof;
FIG. 7 is a left end view thereof;
FIG. 8 is a right end view thereof;
FIG. 9 is a sectional view taken along a line 9—9 in FIG. 4;
FIG. 10 is a sectional view taken along a line 10—10 in FIG. 4; and,
FIG. 11 is a sectional view taken along a line 11—11 in FIG. 4.

1 Claim, 6 Drawing Sheets



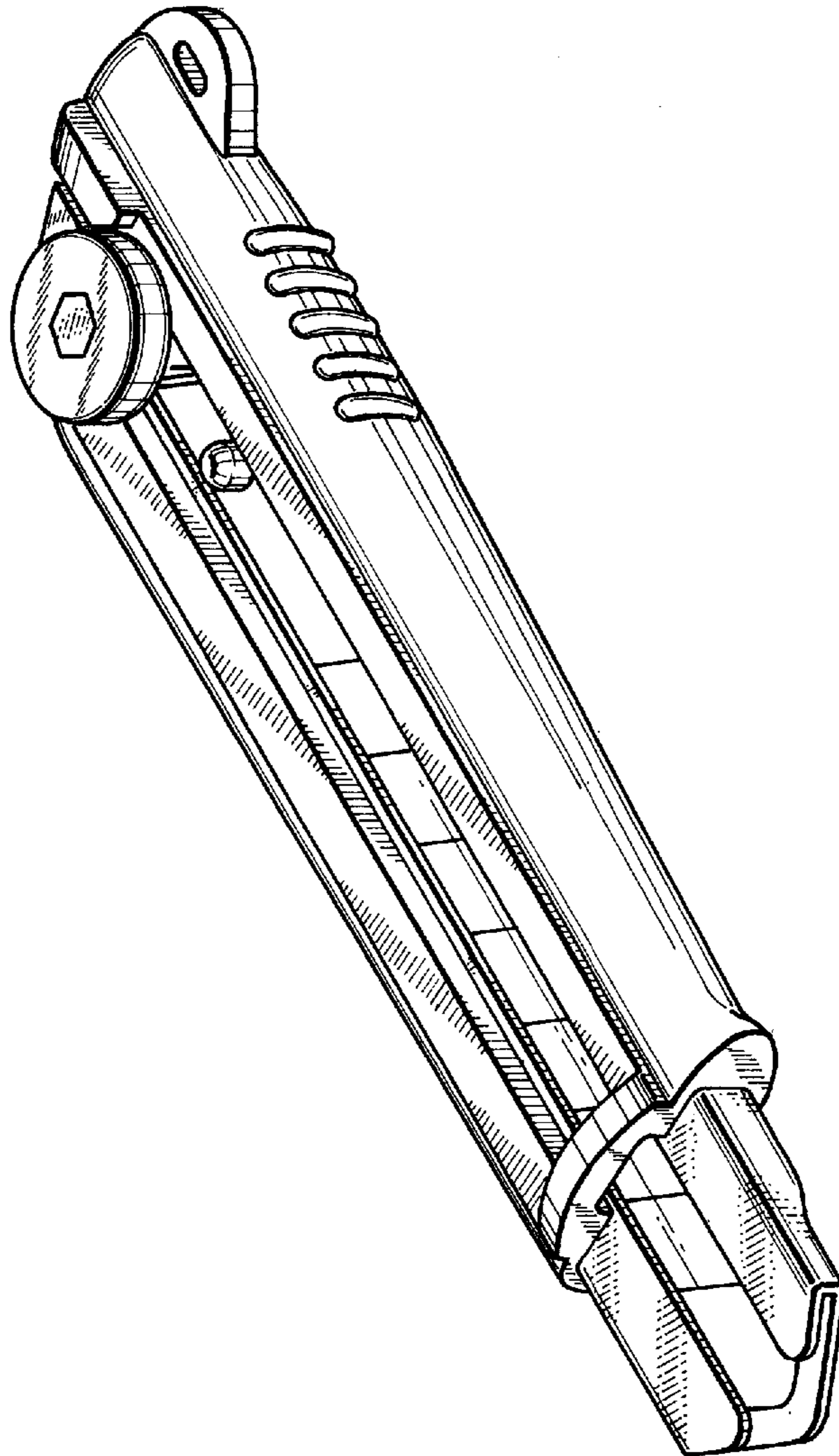


Fig. 1

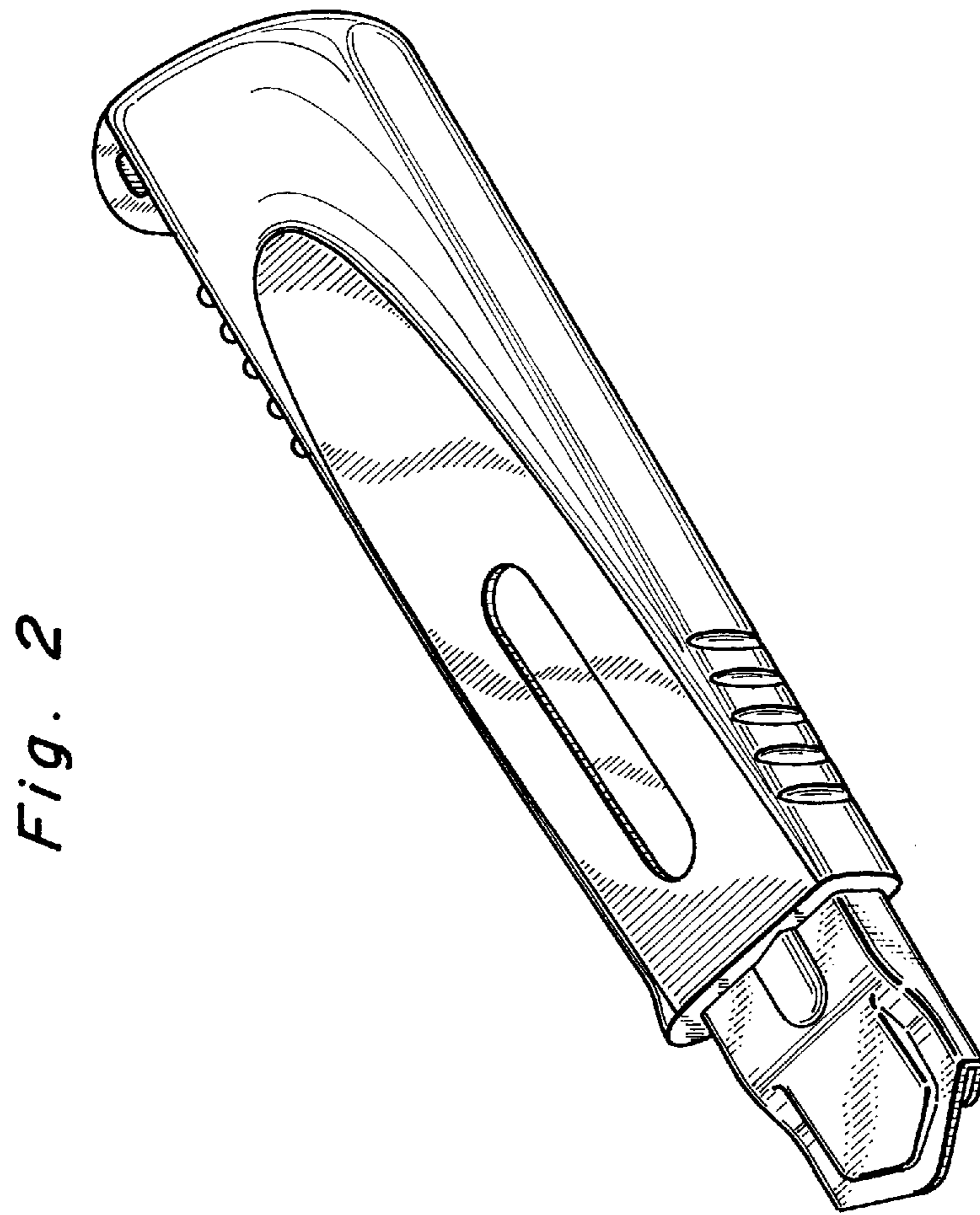


Fig. 2

Fig. 3

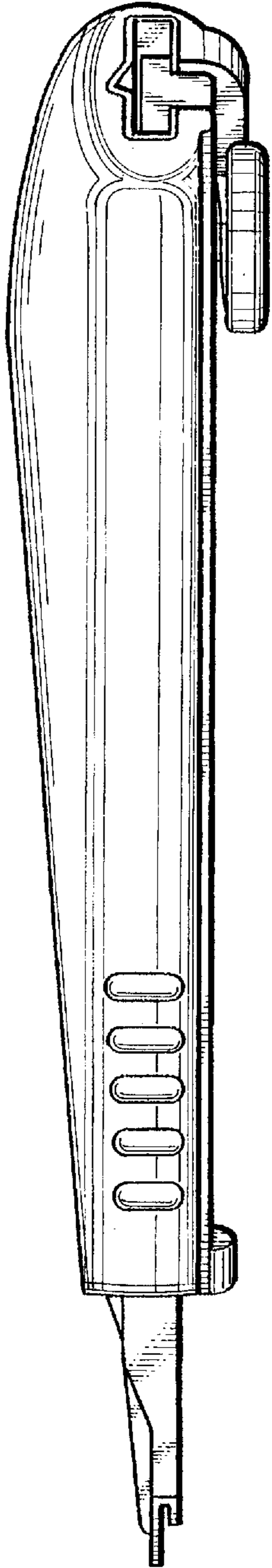


Fig. 4

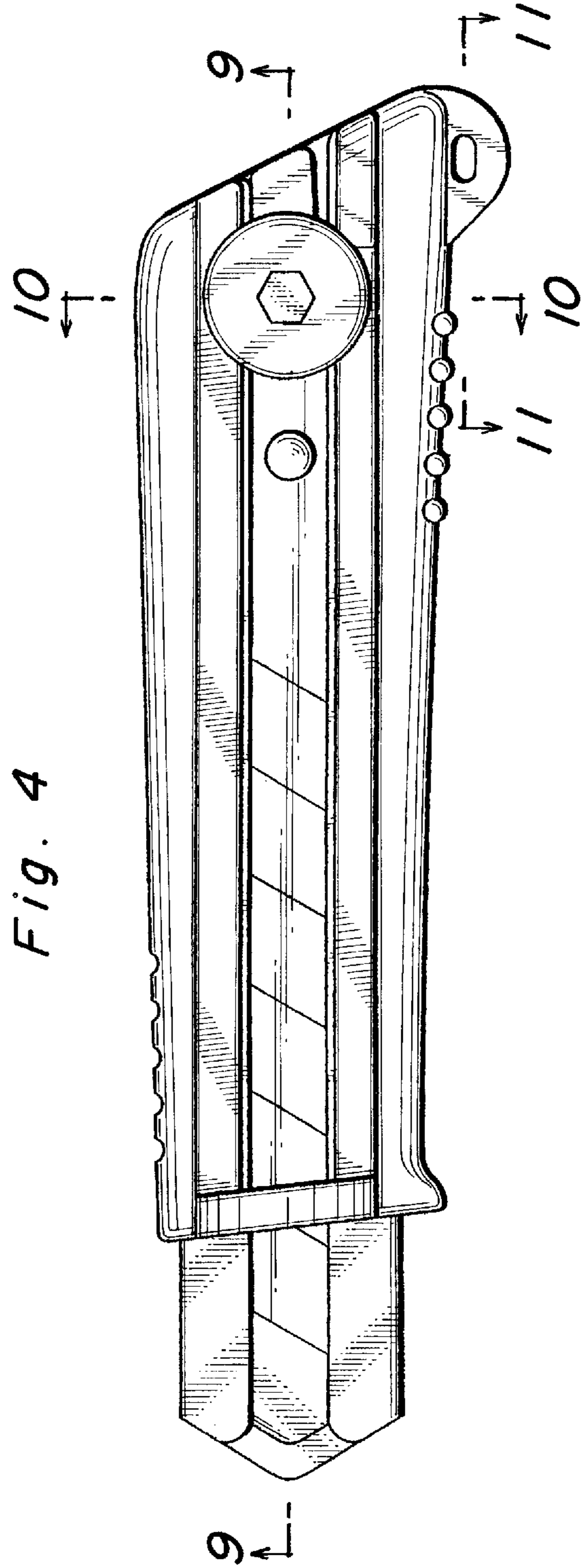


Fig. 5

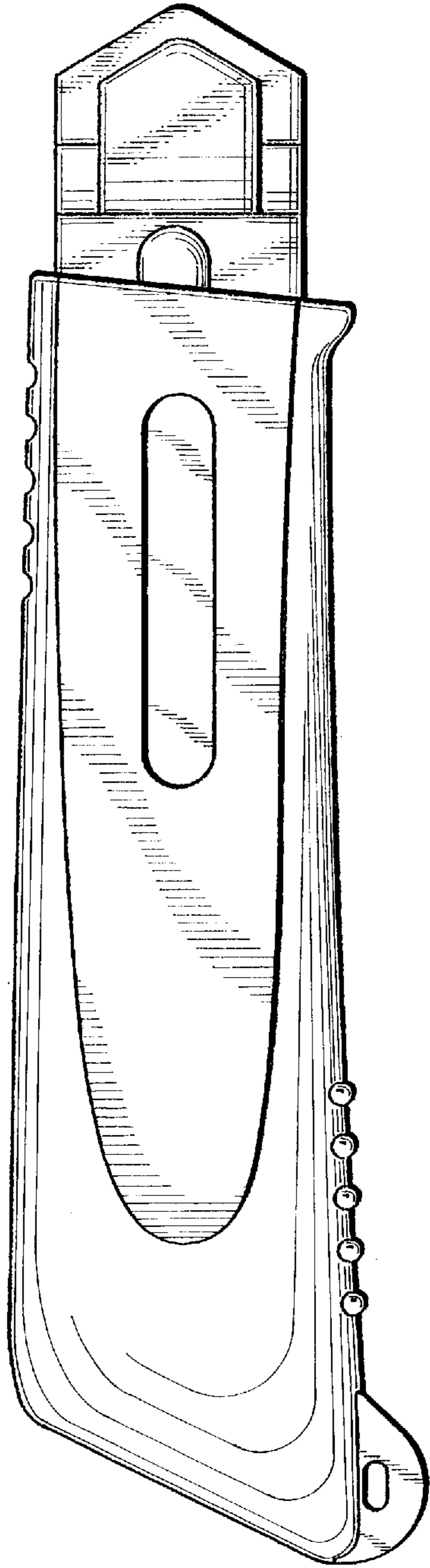


Fig. 6

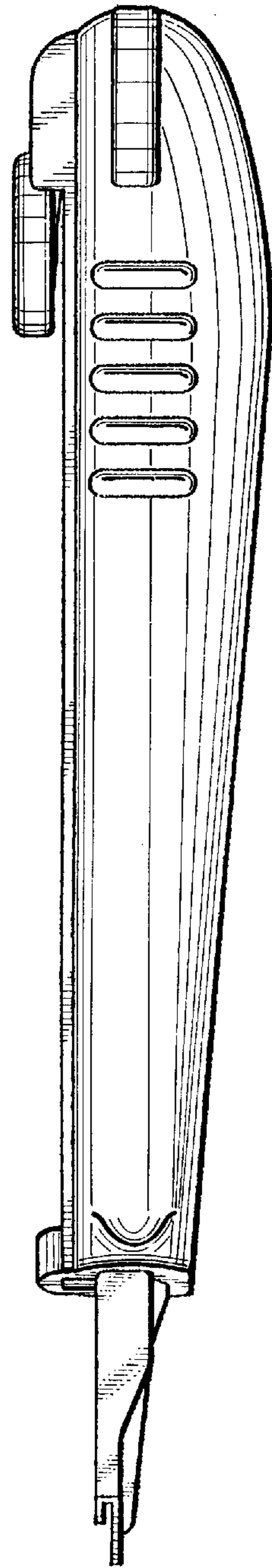


Fig. 8

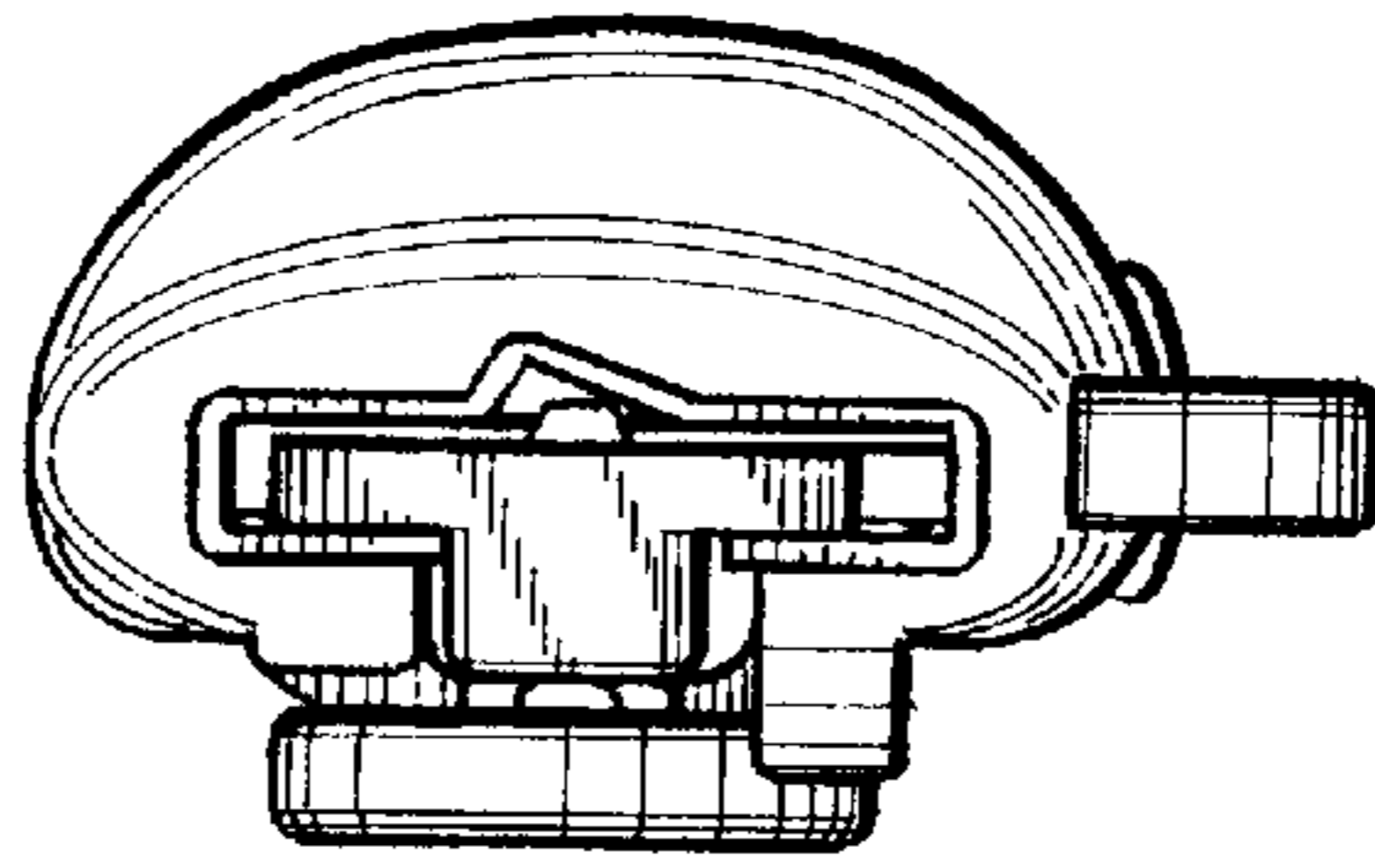


Fig. 7

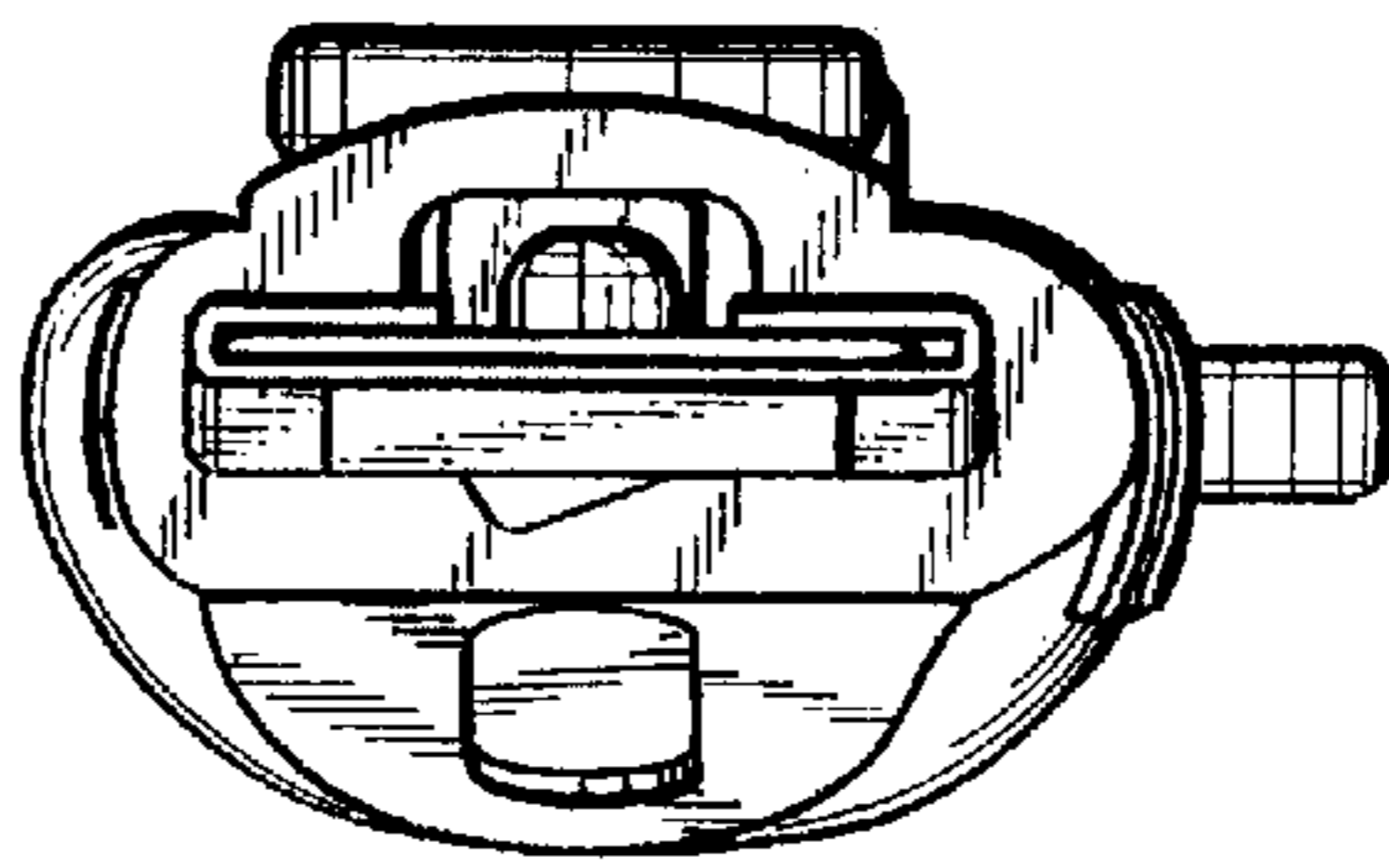


Fig. 9

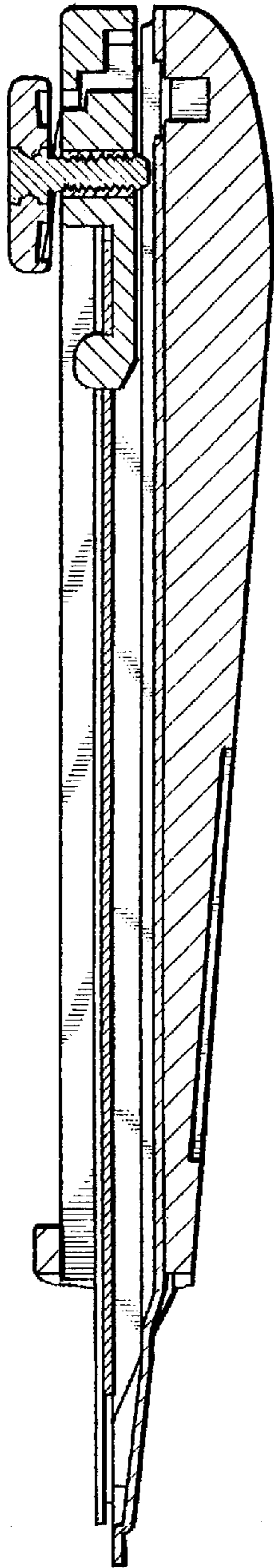


Fig. 10

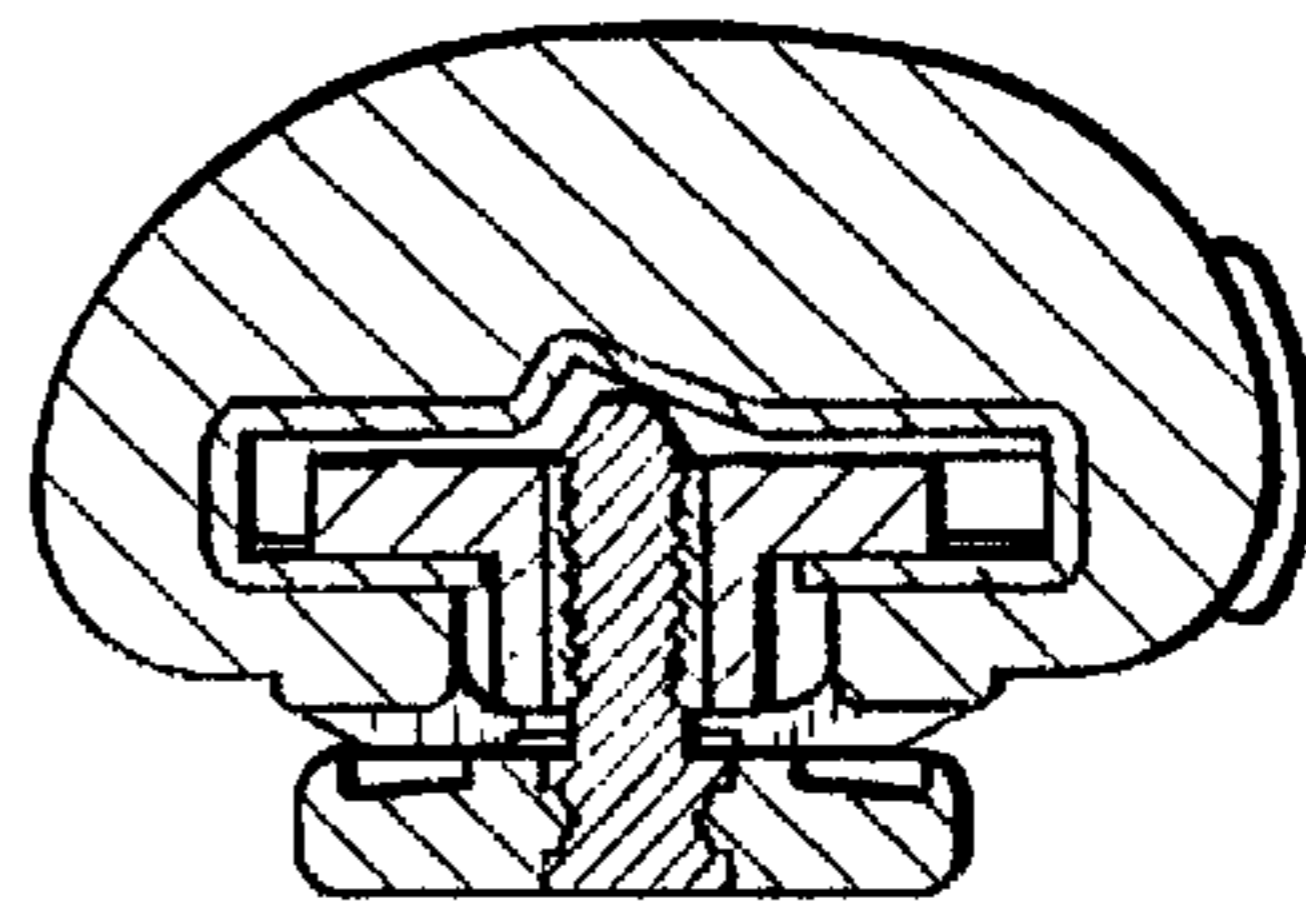


Fig. 11

