



US00D399109S

# United States Patent [19]

Williams

[11] **Patent Number: Des. 399,109**

[45] **Date of Patent: \*\*Oct. 6, 1998**

[54] **MULTI-PURPOSE WOODWORKING ACCESSORY**

3,636,955	1/1972	Kurtz	.....	30/168 X
4,338,718	7/1982	Olkola	.....	30/171
5,486,190	1/1996	Green	.....	30/366 X

[76] Inventor: **Michael Dan Williams**, 113 Circle Dr., Clovis, N. Mex. 88101

*Primary Examiner*—Sandra L. Morris  
*Assistant Examiner*—Richelle Shelton  
*Attorney, Agent, or Firm*—Henry S. Miller

[\*\*] Term: **14 Years**

[21] Appl. No.: **54,328**

[57] **CLAIM**

[22] Filed: **May 9, 1996**

I claim the ornamental design for a multi-purpose wood-working accessory, as shown and described.

[51] **LOC (6) Cl.** ..... **08-05**

**DESCRIPTION**

[52] **U.S. Cl.** ..... **D8/47**

[58] **Field of Search** ..... D8/47, 98, 107;  
30/167, 167.1, 167.2, 168, 366

FIG. 1 is a front elevational view of a multi-purpose woodworking accessory showing my new design therefor; FIG. 2 is a rear elevational view; FIG. 3 is a top plan view; FIG. 4 is a right side elevational view, the left side elevational view being a mirror image thereof; and, FIG. 5 is a bottom plan view.

[56] **References Cited**

**U.S. PATENT DOCUMENTS**

171,739	1/1876	Page et al.	.....	30/366
D. 313,158	12/1990	Cecil et al.	.....	D8/107 X
2,203,158	6/1940	Klein	.....	30/168 X

**1 Claim, 2 Drawing Sheets**

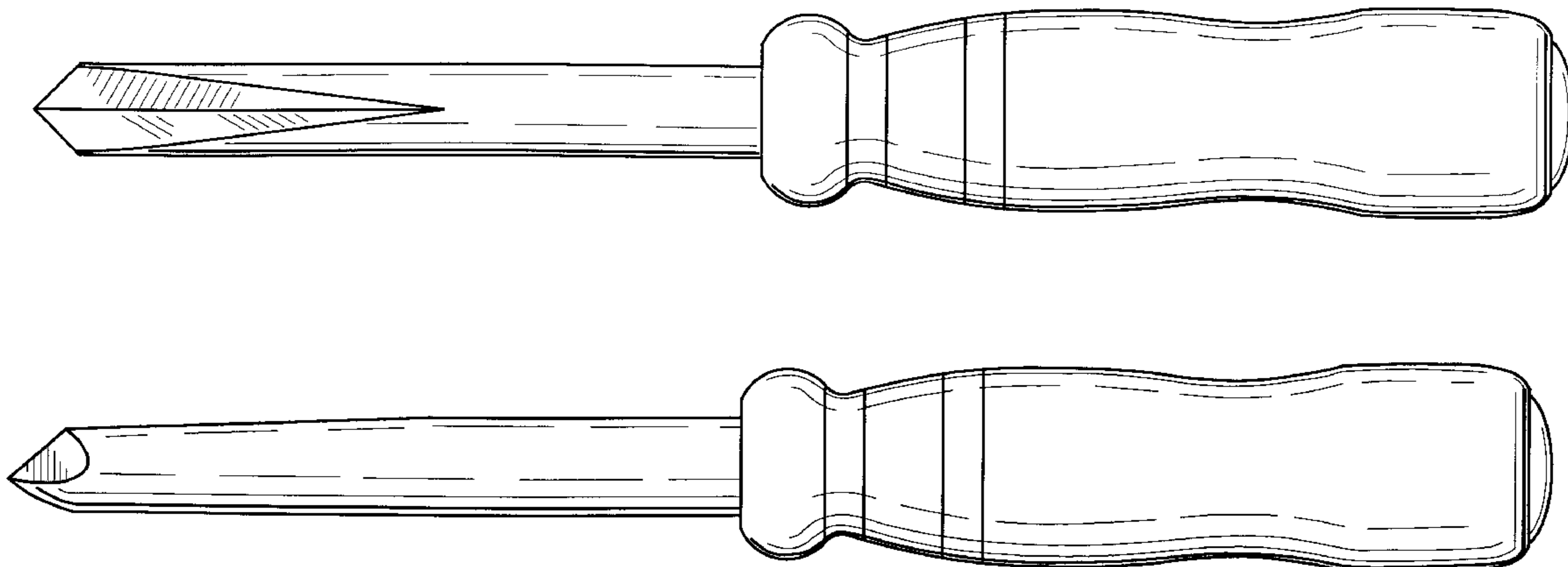


FIG. 2

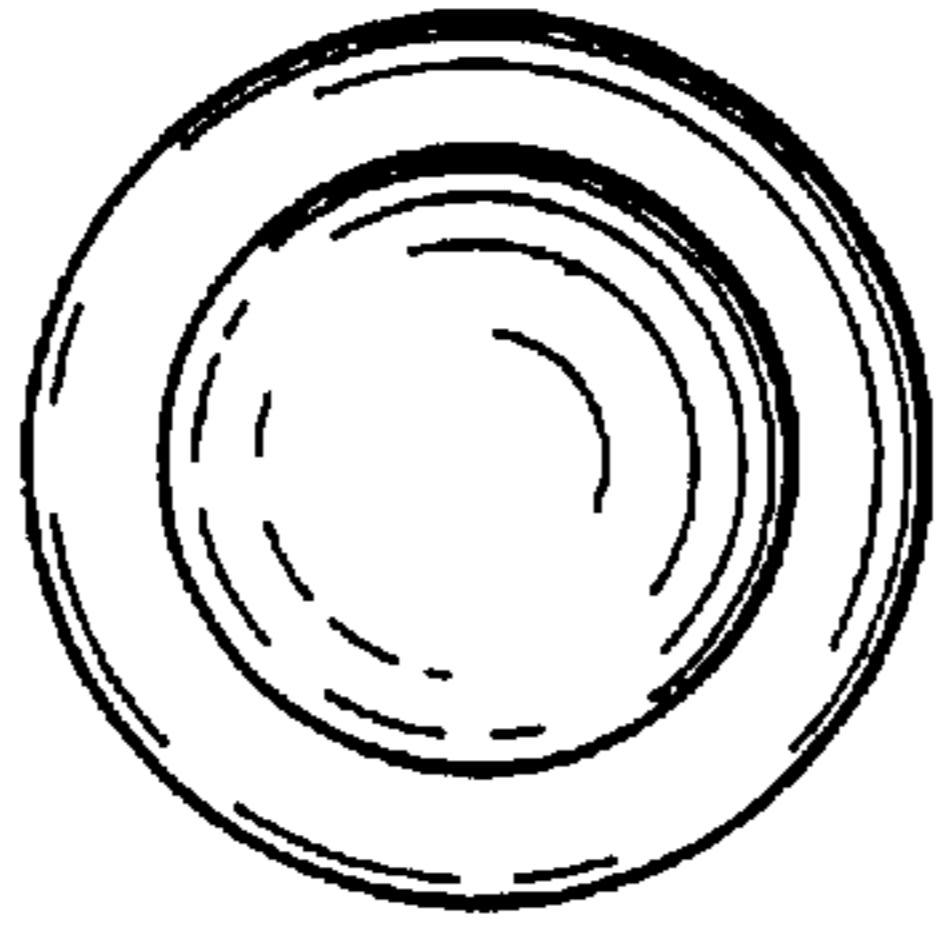


FIG. 1

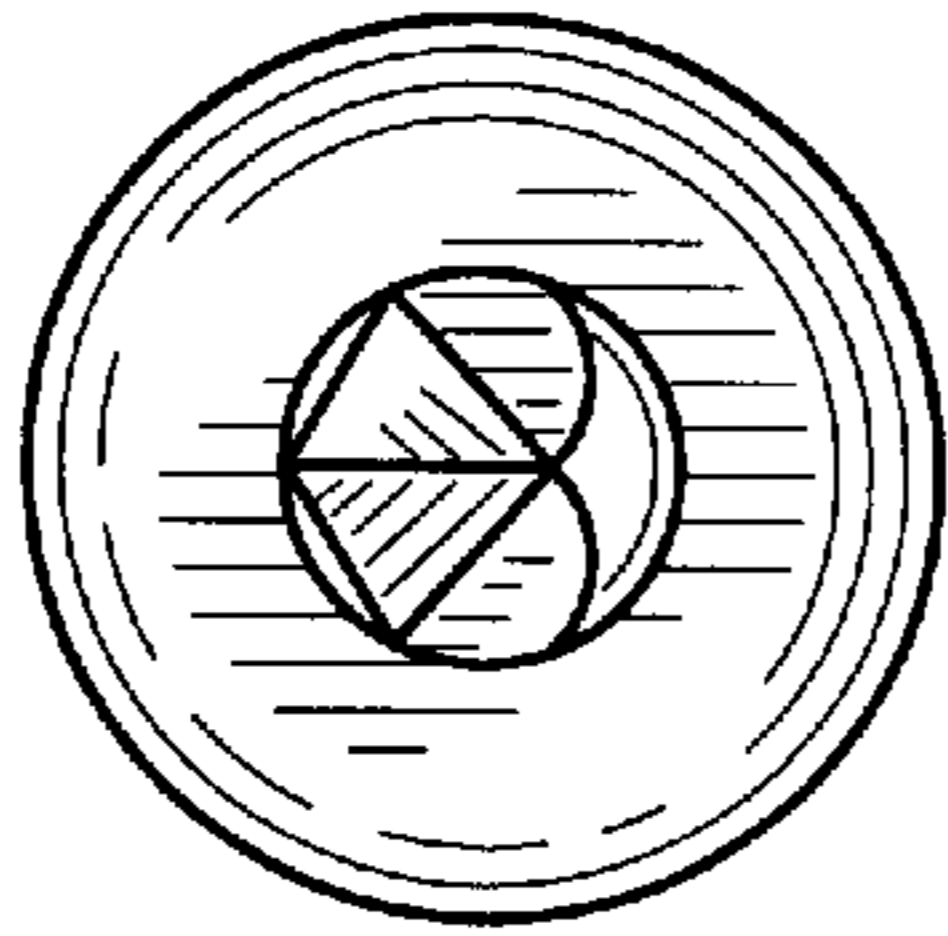
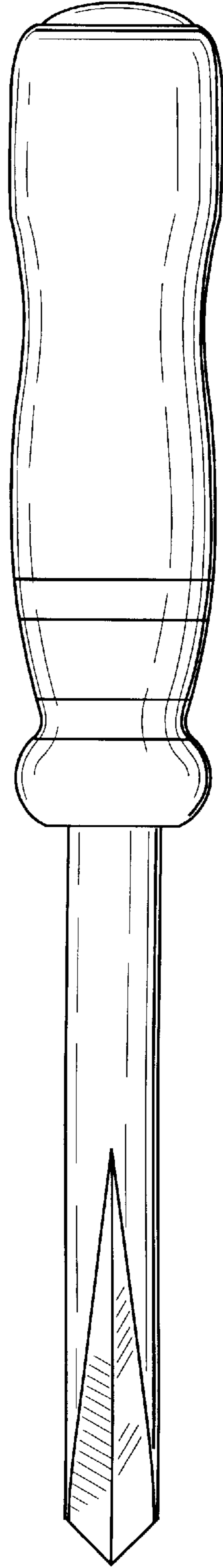


FIG. 3



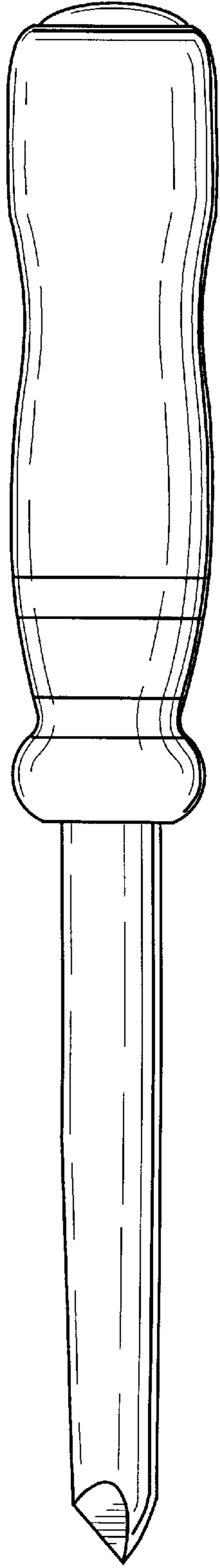


FIG. 4

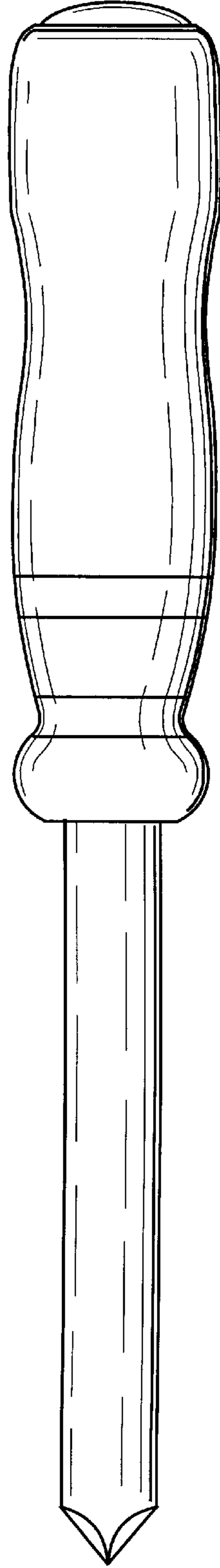


FIG. 5