



US00D399105S

United States Patent [19] Coady

[11] **Patent Number: Des. 399,105**

[45] **Date of Patent: **Oct. 6, 1998**

[54] **ROOFING PADDLE**

4,282,615 8/1981 Tom 7/164

[76] Inventor: **Pierce Coady**, 1613 Buffalo Rd., West Des Moines, Iowa 50265

Primary Examiner—Sandra L. Morris
Assistant Examiner—Richelle Shelton
Attorney, Agent, or Firm—James D. Birkenholz

[**] Term: **14 Years**

[57] **CLAIM**

[21] Appl. No.: **66,519**

The ornamental design for a roofing paddle, as shown.

[22] Filed: **Feb. 18, 1997**

DESCRIPTION

[51] **LOC (6) Cl.** **08-05**

FIG. 1, is a perspective view of the roofing paddle of the present invention;

[52] **U.S. Cl.** **D8/14; D7/688**

FIG. 2, is a top view thereof;

[58] **Field of Search** D8/14, 16, 88;

FIG. 3, is a left side view thereof;

D10/64, 70; 7/122, 164; D7/688

FIG. 4, is a bottom view thereof;

[56] **References Cited**

FIG. 5, is a right side view thereof;

U.S. PATENT DOCUMENTS

FIG. 6, is a front view thereof; and,

D. 265,791 8/1982 Fieni D8/88

FIG. 7, is a rear view thereof.

526,995 10/1894 Dana 7/164

807,998 12/1905 Bowman 7/122

1 Claim, 4 Drawing Sheets

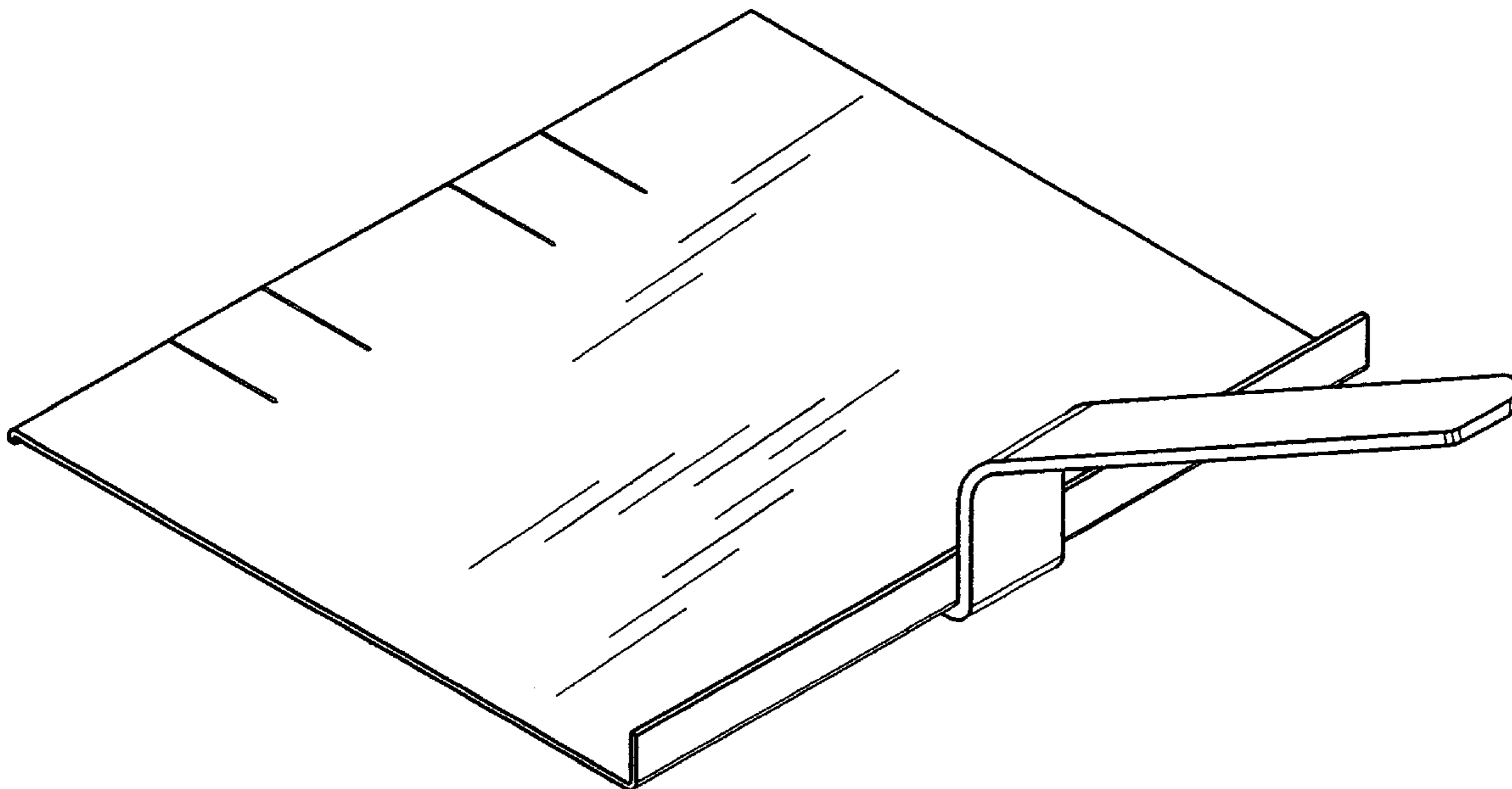


FIG. 1

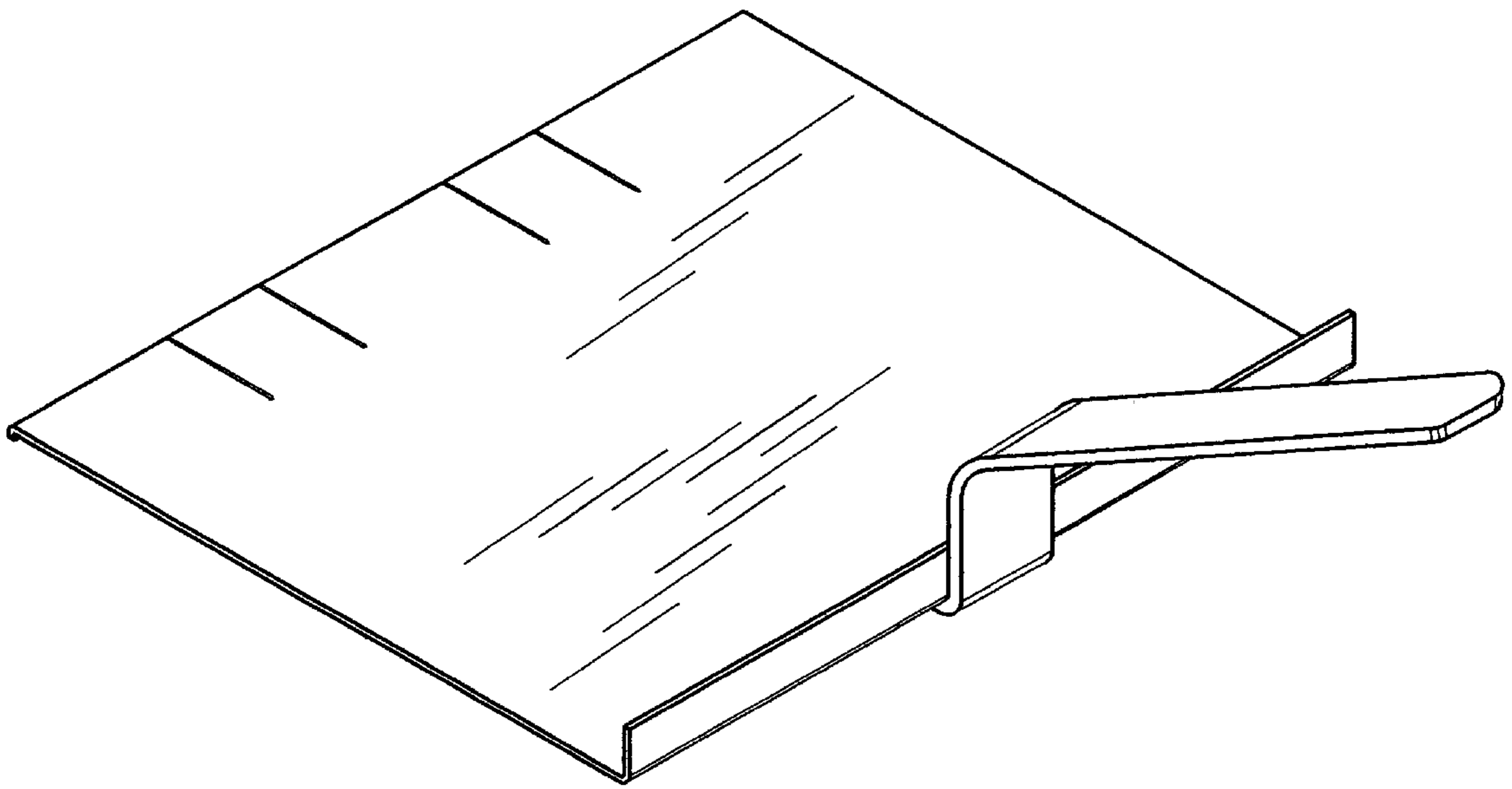


FIG. 2

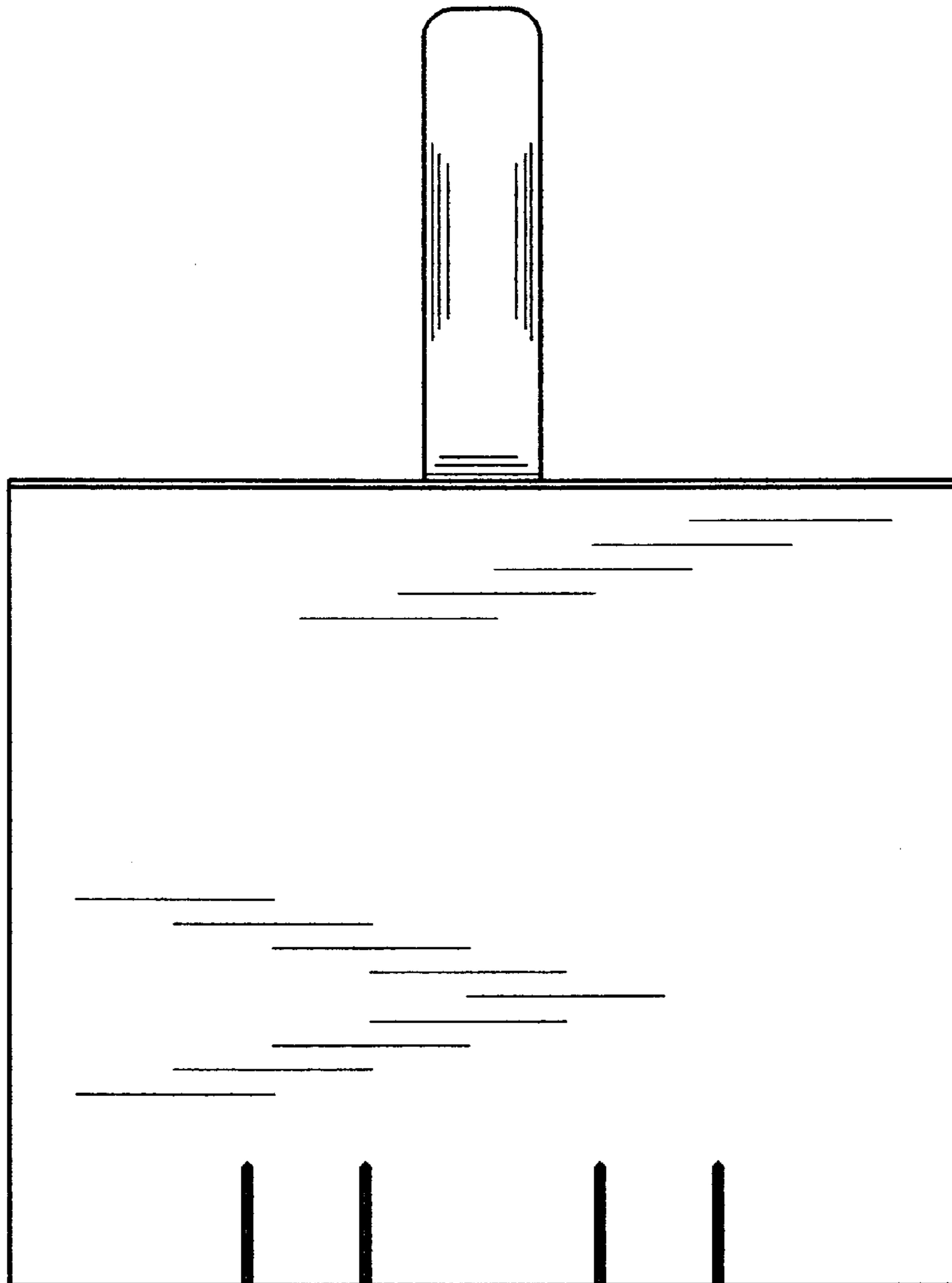


FIG. 3

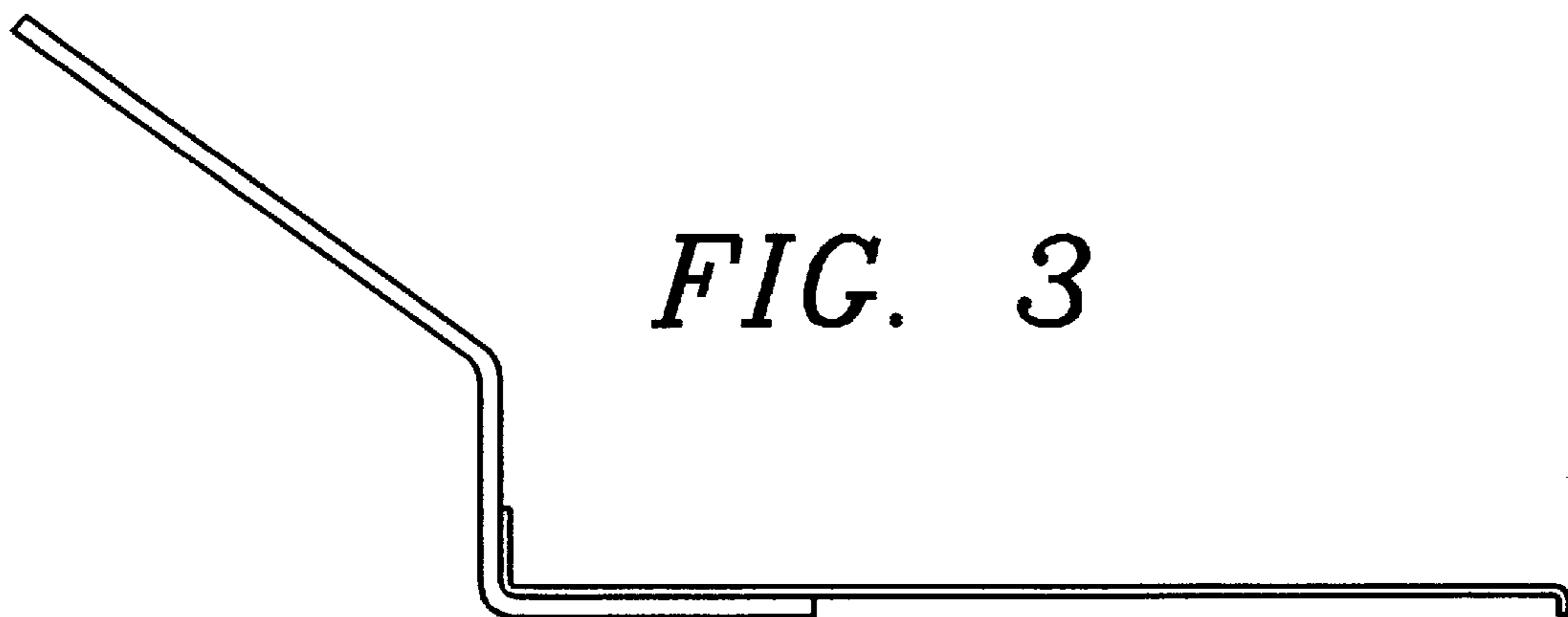


FIG. 4

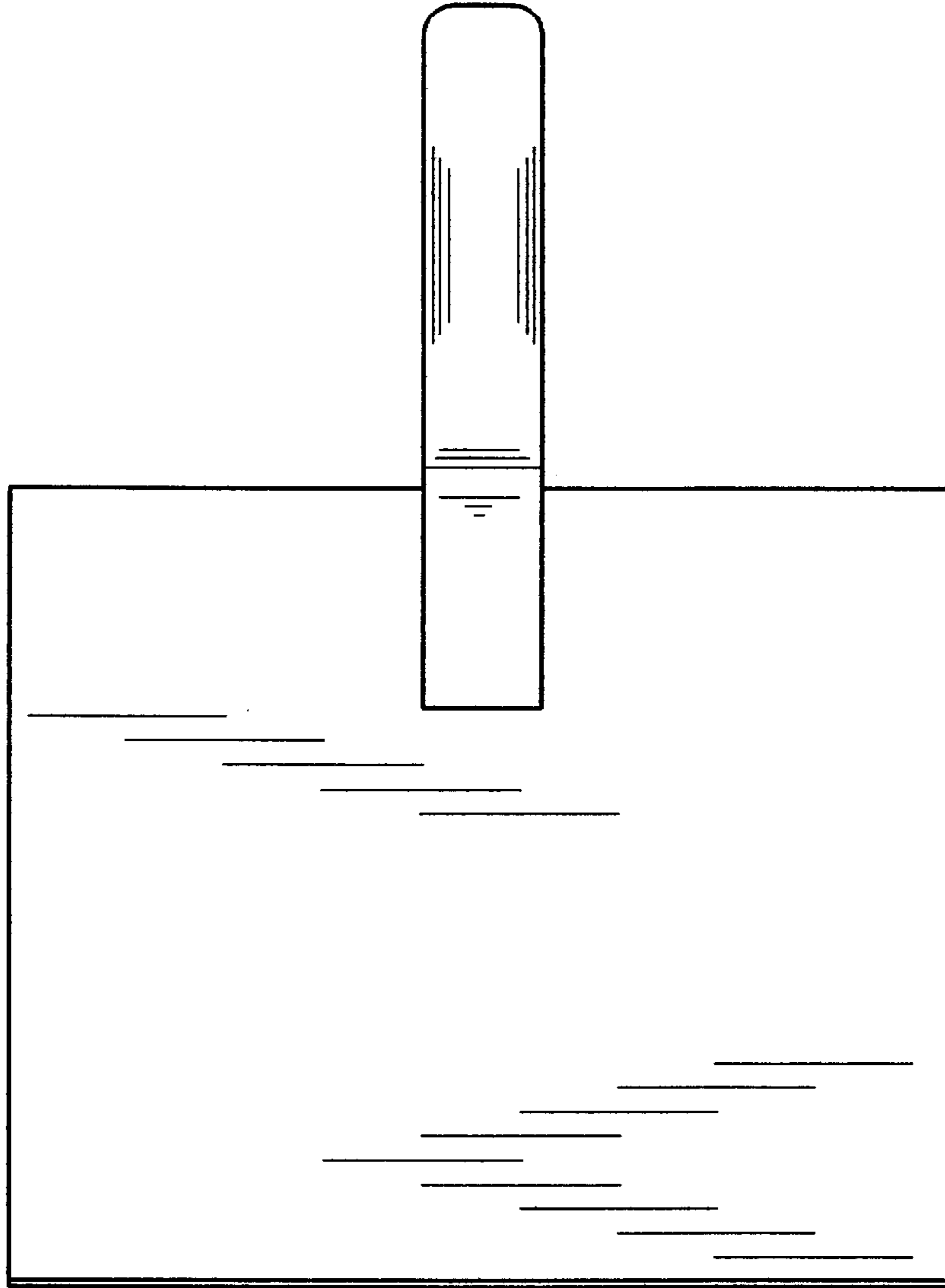


FIG. 5

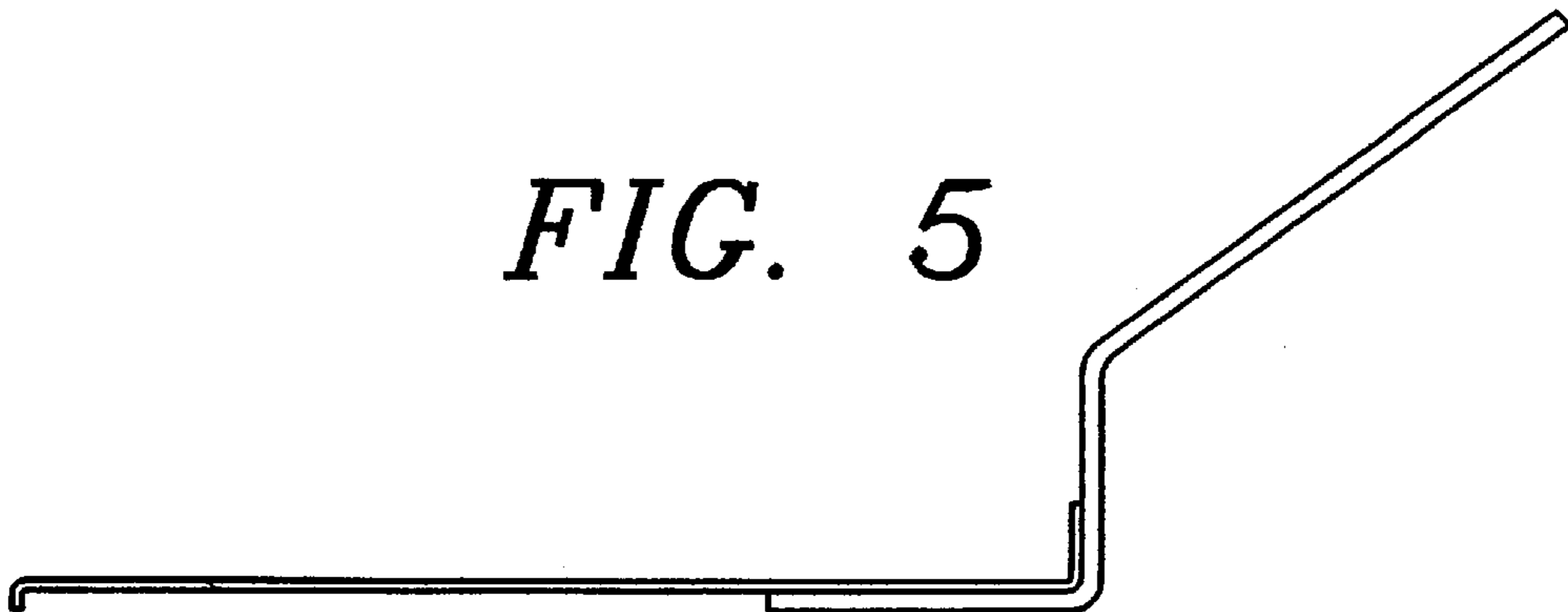


FIG. 6

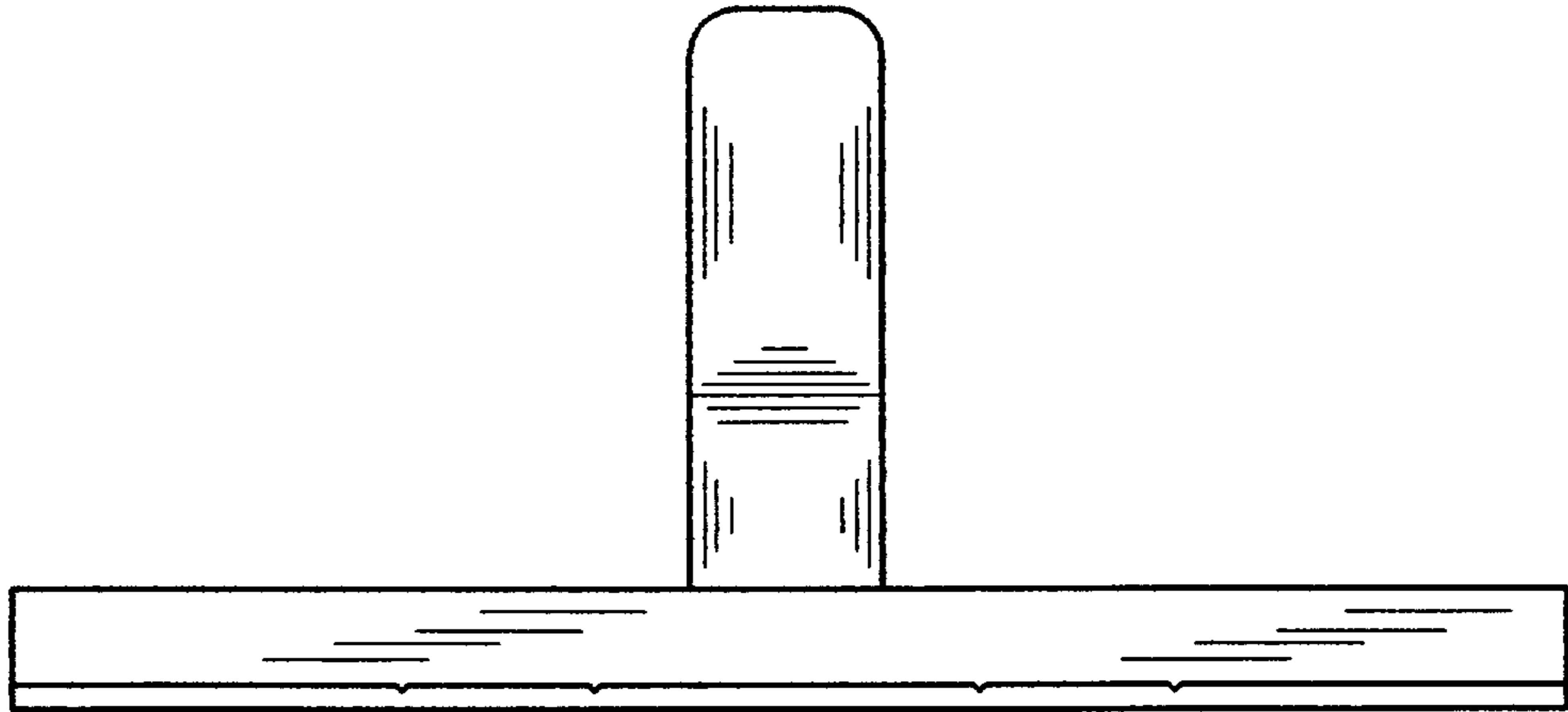


FIG. 7

