



US00D399103S

United States Patent [19]

Lillelund et al.

[11] **Patent Number:** **Des. 399,103**

[45] **Date of Patent:** ****Oct. 6, 1998**

[54] **POTATO MASHER**

[75] Inventors: **Stig Lillelund**, Gentofte; **Jakob Heiberg**, Charlottenlund, both of Denmark

[73] Assignee: **Dart Industries Inc.**, Orlando, Fla.

[**] Term: **14 Years**

[21] Appl. No.: **75,782**

[22] Filed: **Aug. 22, 1997**

[51] **LOC (6) Cl.** **07-04**

[52] **U.S. Cl.** **D7/682**

[58] **Field of Search** D7/682-696; 241/168, 241/169.2

- D. 205,538 8/1966 Latham .
- D. 207,195 3/1967 Latham .
- 1,800,653 4/1931 Morris .
- 1,856,954 5/1932 Hayward 241/169.2
- 2,659,403 11/1953 Jones .
- 5,014,921 5/1991 Skerker et al. .

Primary Examiner—Terry A. Wallace
Attorney, Agent, or Firm—John A. Doninger

[57] CLAIM

The ornamental design for a potato masher, as shown and described.

DESCRIPTION

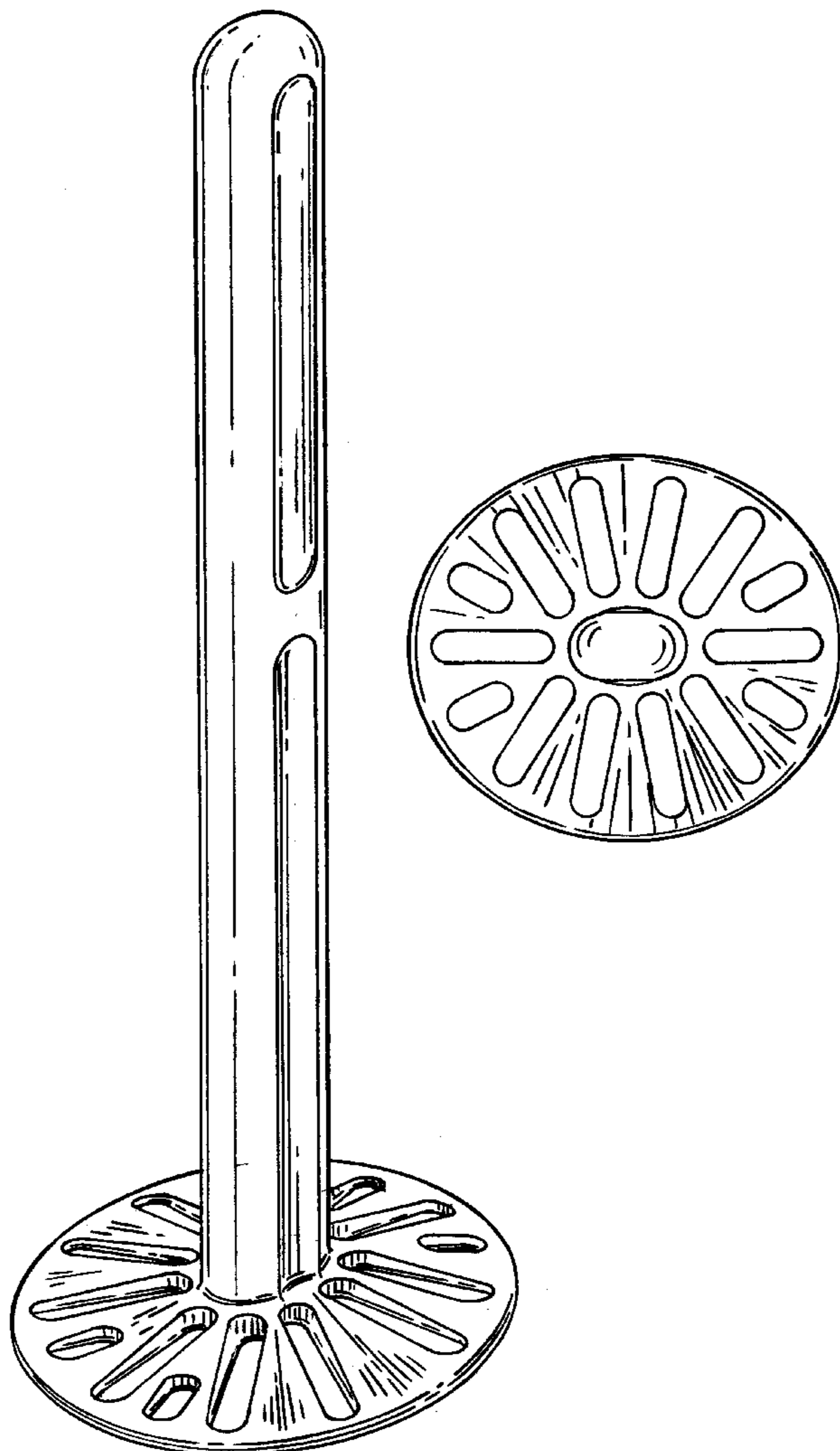
FIG. 1 is a top, front and side perspective view of a potato masher showing our new design; FIG. 2 is a top plan view thereof; FIG. 3 is a bottom plan view thereof; FIG. 4 is a front elevation view thereof; FIG. 5 is a rear elevation view thereof; FIG. 6 is a right side elevation view thereof; and, FIG. 7 is a left side elevation view thereof.

1 Claim, 3 Drawing Sheets

[56] References Cited

U.S. PATENT DOCUMENTS

- D. 43,064 9/1912 Streeter .
- D. 194,799 3/1963 Elder .
- D. 203,858 2/1966 Hvale .



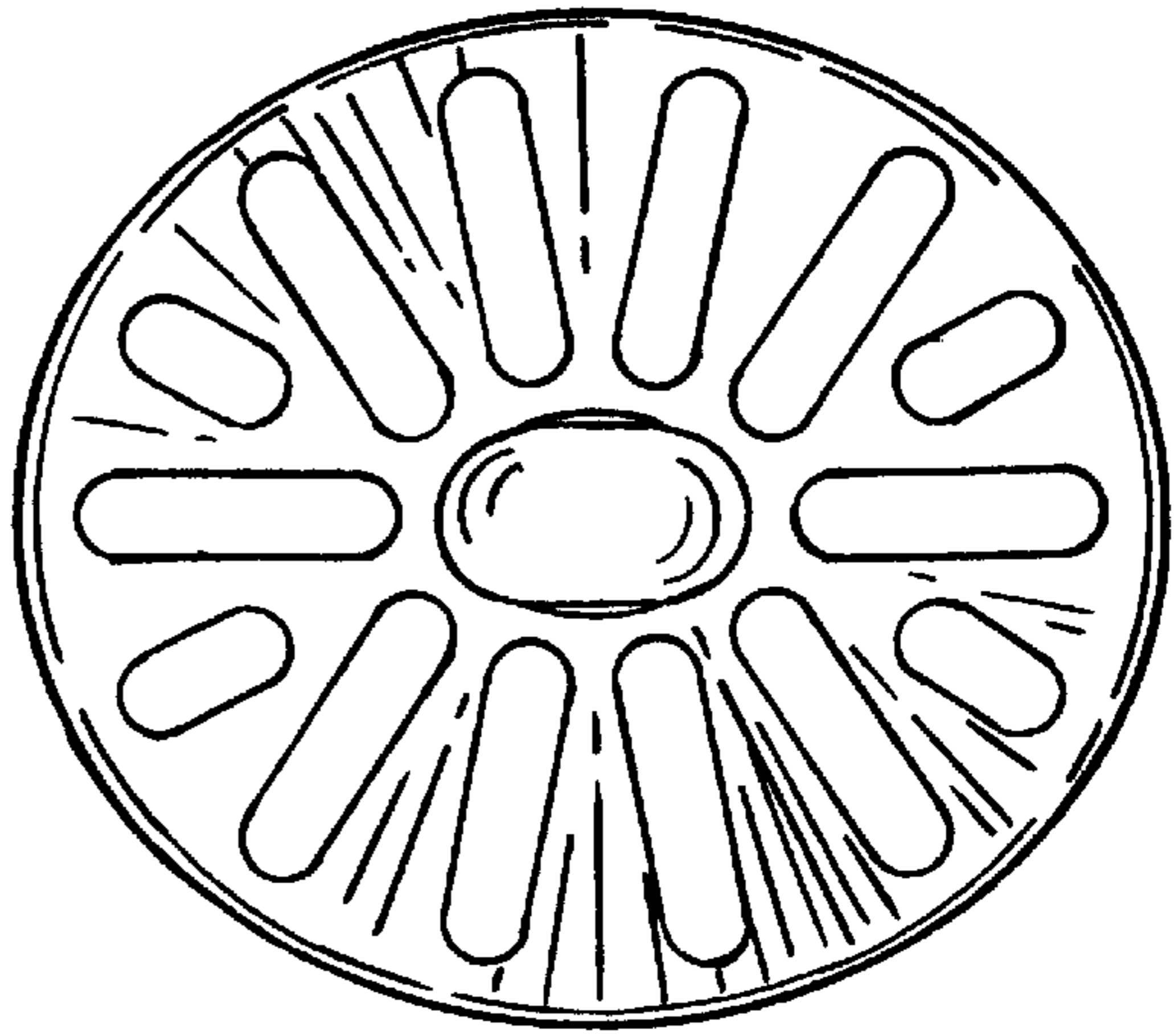
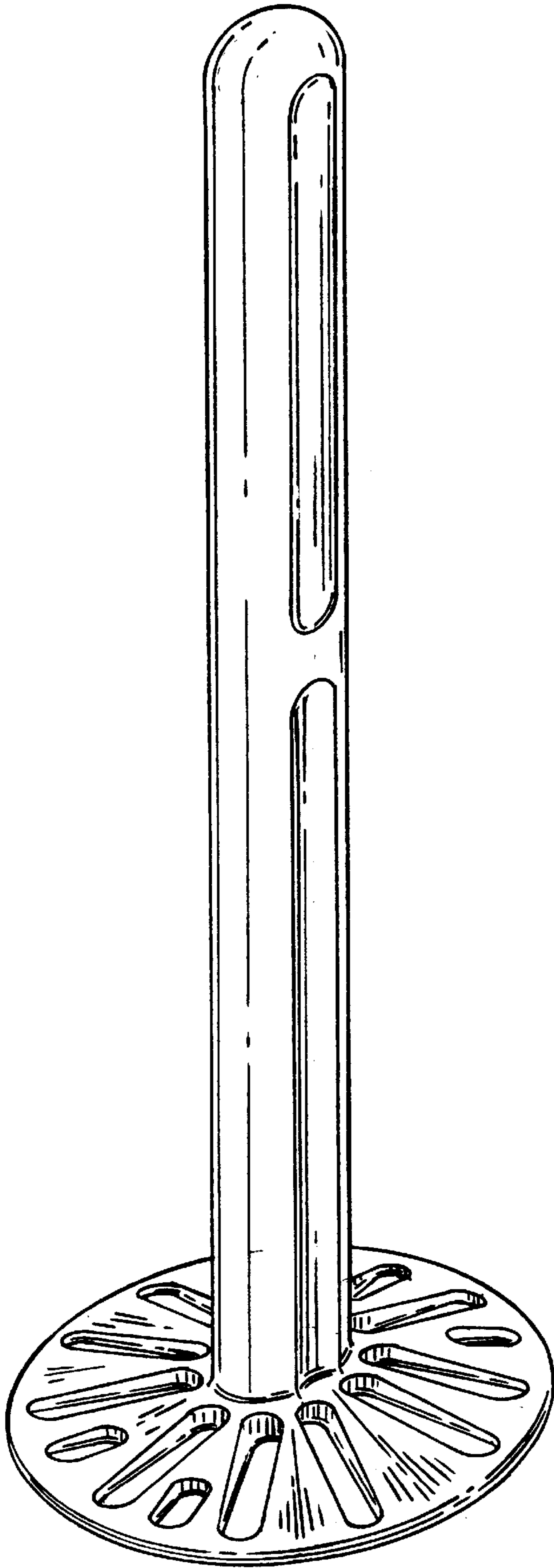


FIG. 2

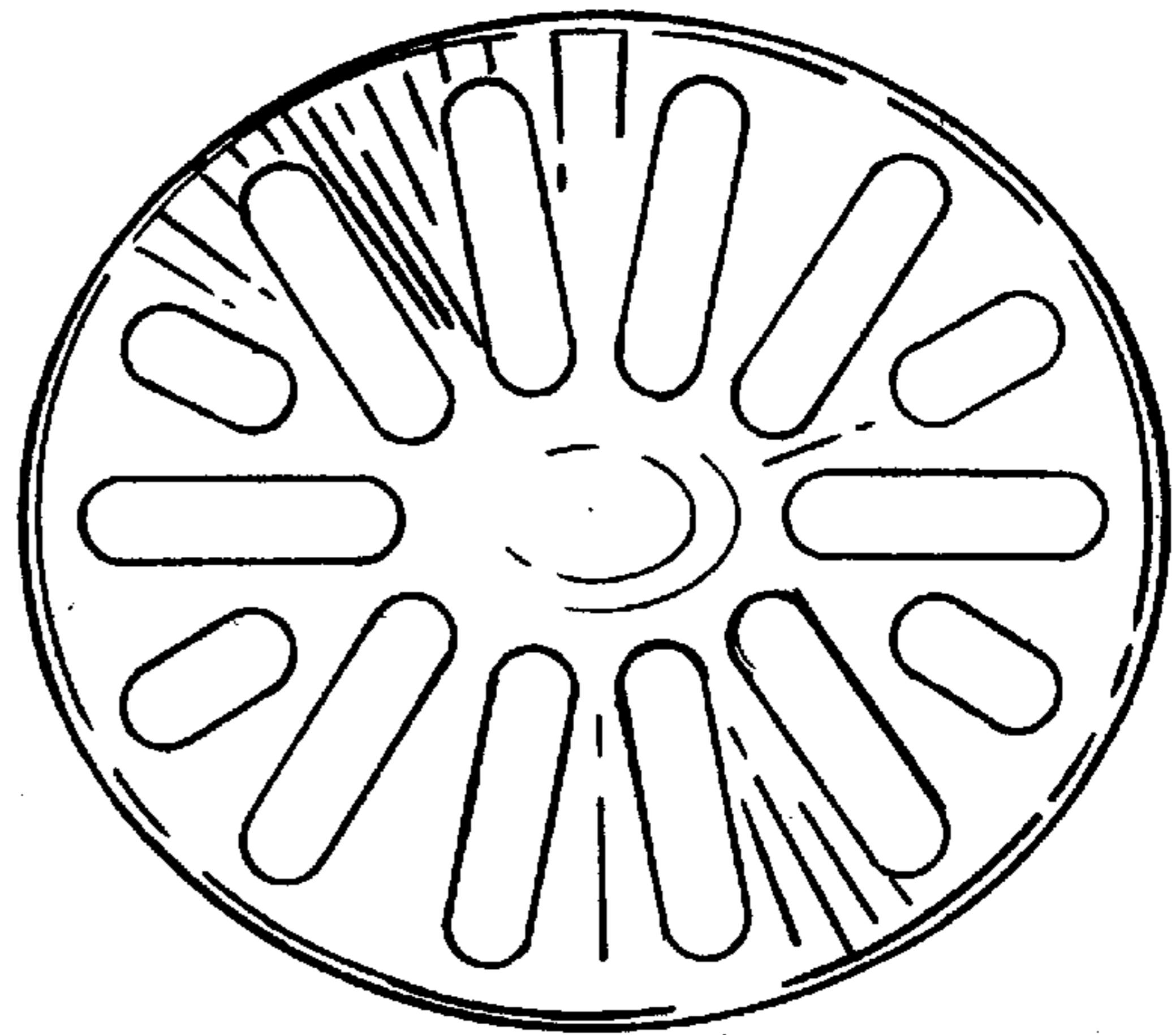


FIG. 3

FIG. 1

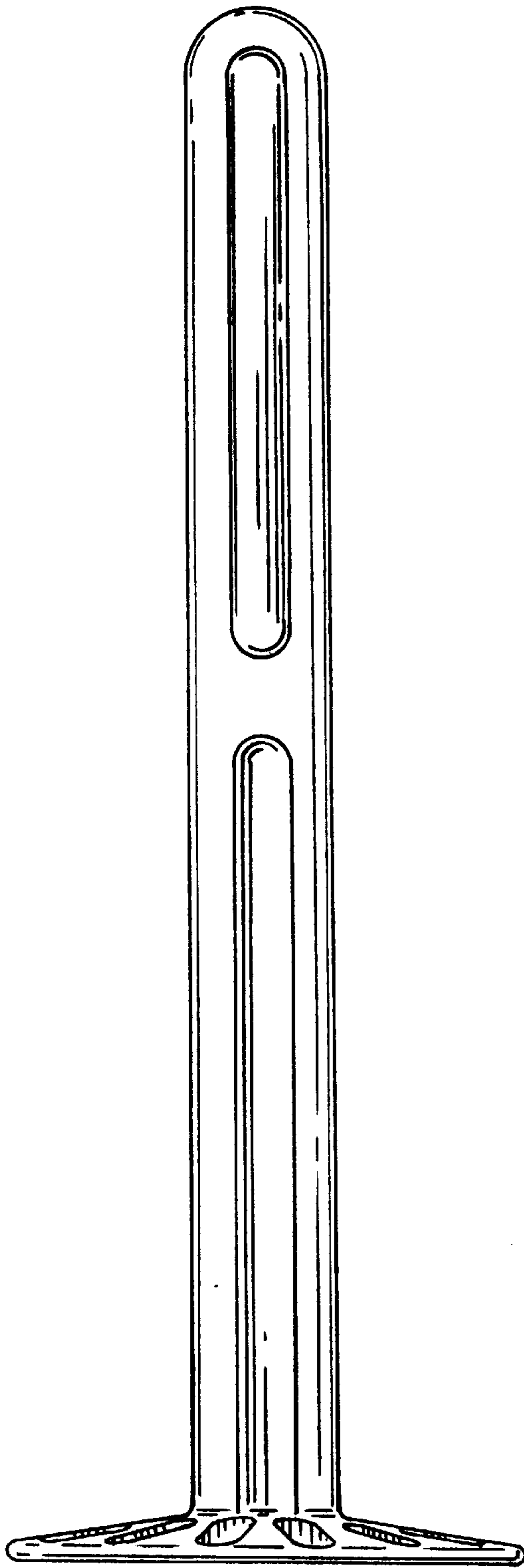


FIG. 4

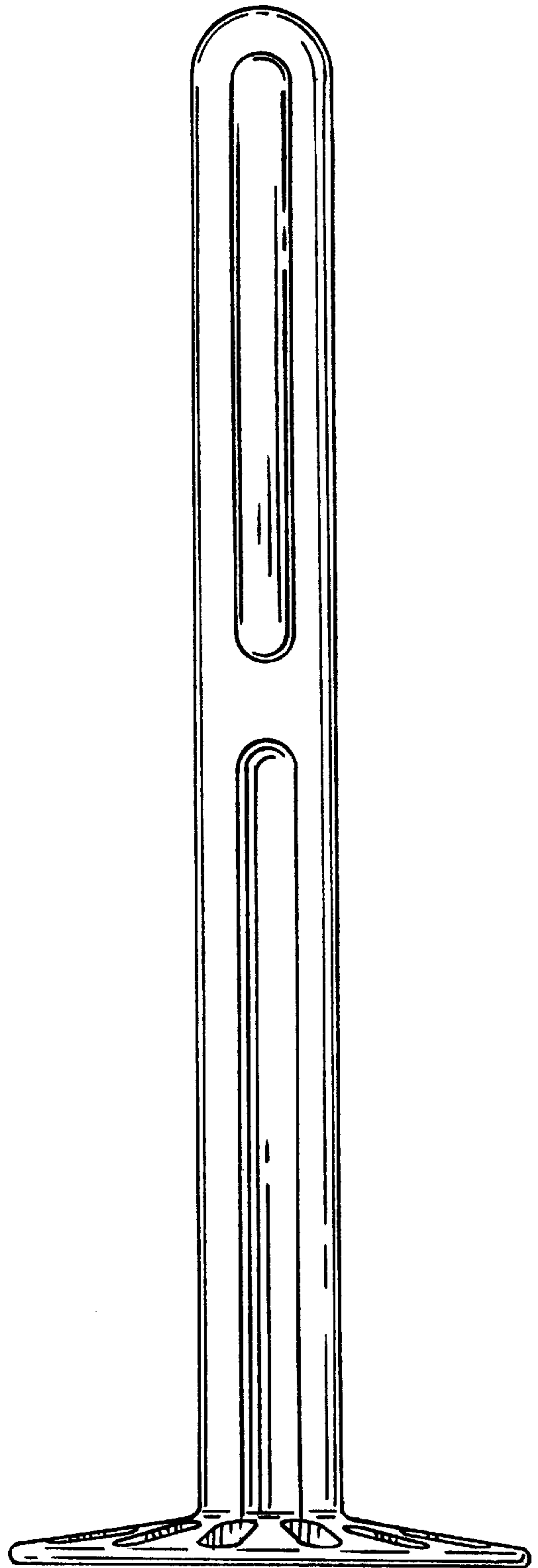


FIG. 5

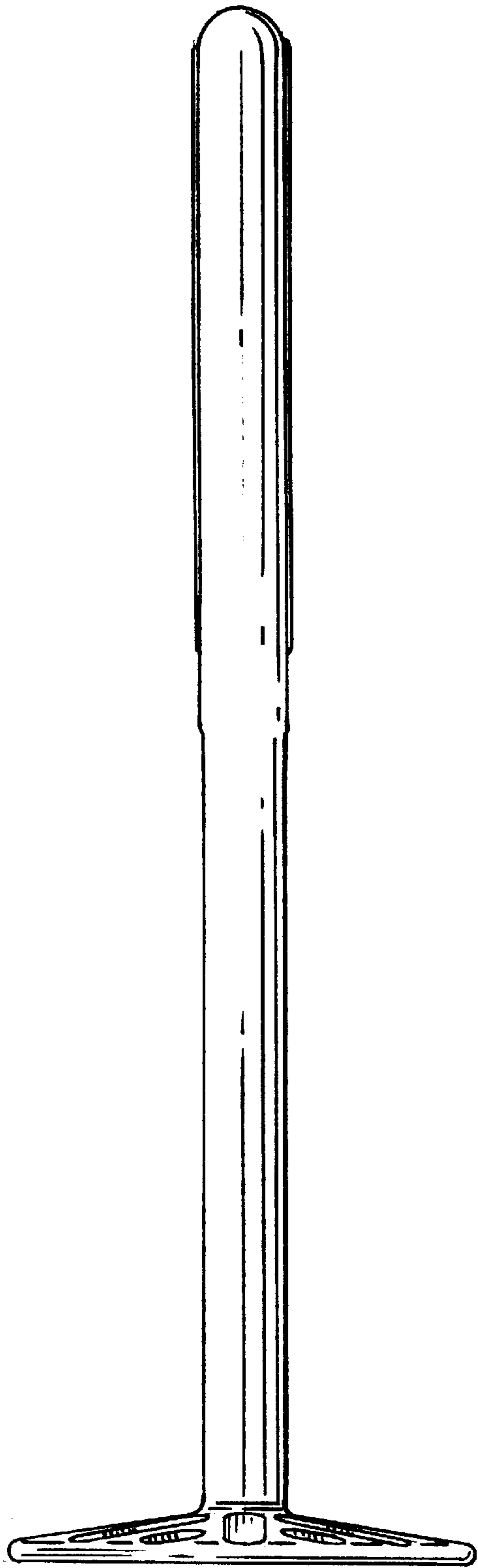


FIG. 6

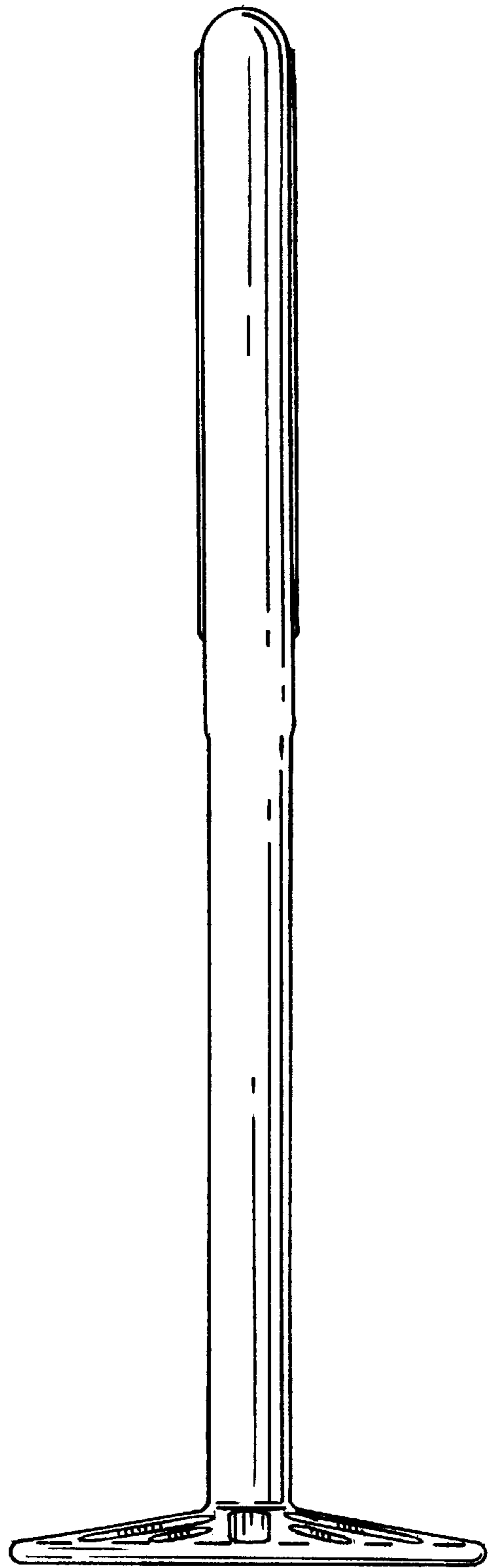


FIG. 7