



US00D399095S

United States Patent [19] Schmidt

[11] **Patent Number:** **Des. 399,095**
[45] **Date of Patent:** ****Oct. 6, 1998**

[54] **NON-SPILL PARTY PLATE**
[76] Inventor: **Norbert T. Schmidt**, 1006 Nokomis St., Alexandria, Minn. 56308-2624
[**] Term: **14 Years**
[21] Appl. No.: **65,632**
[22] Filed: **Jan. 31, 1997**
[51] **LOC (6) Cl.** **07-01**
[52] **U.S. Cl.** **D7/553; D7/553**
[58] **Field of Search** D7/505, 507, 546, D7/549, 550, 553, 554, 555; 220/23.8, 575, 556, 571; 204/561

2,766,919 10/1956 Randall .
3,376,974 4/1968 Hilliard .
3,955,672 5/1976 Brundage .
4,732,274 3/1988 Bouton 206/561
4,938,373 7/1990 McKee .
5,207,743 5/1993 Costarella 220/575
5,419,455 5/1995 Rousseau .
5,497,885 3/1996 Sussman 220/575 X
5,678,694 10/1997 Tanaka et al. 206/561

Primary Examiner—M. N. Pandozzi

[57] CLAIM

The ornamental design for the non-spill party plate, as shown and described.

DESCRIPTION

FIG. 1 is a perspective view of the non-spill party plate showing my new design;
FIG. 2 is a front elevational view thereof;
FIG. 3 is a rear elevational view thereof;
FIG. 4 is a left side elevational view thereof, the broken line showing of the cup for illustrative purposes only and forms no part of the claimed design;
FIG. 5 is a right side elevational view thereof;
FIG. 6 is a top plan view thereof;
FIG. 7 is a bottom plan view thereof; and,
FIG. 8 is cross-sectional view thereof taken along line 8—8 of FIG. 2.

[56] **References Cited**
U.S. PATENT DOCUMENTS
D. 185,911 8/1959 Chadbourne D7/553
D. 229,009 11/1973 Dolby D7/554
D. 242,515 11/1976 Shumrak D7/553
D. 273,213 3/1984 Simmons D7/554
D. 336,592 6/1993 De Grow D7/553
D. 352,204 11/1994 Hayes et al. D7/554
D. 363,644 10/1995 Wyatt et al. D7/553
D. 363,857 11/1995 Sussman D7/553
D. 366,395 1/1996 Wyatt et al. D7/554
D. 368,409 4/1996 Schwartz D7/553
1,595,356 8/1926 Moseman D7/553
2,652,702 9/1953 Hintze D7/553

1 Claim, 3 Drawing Sheets

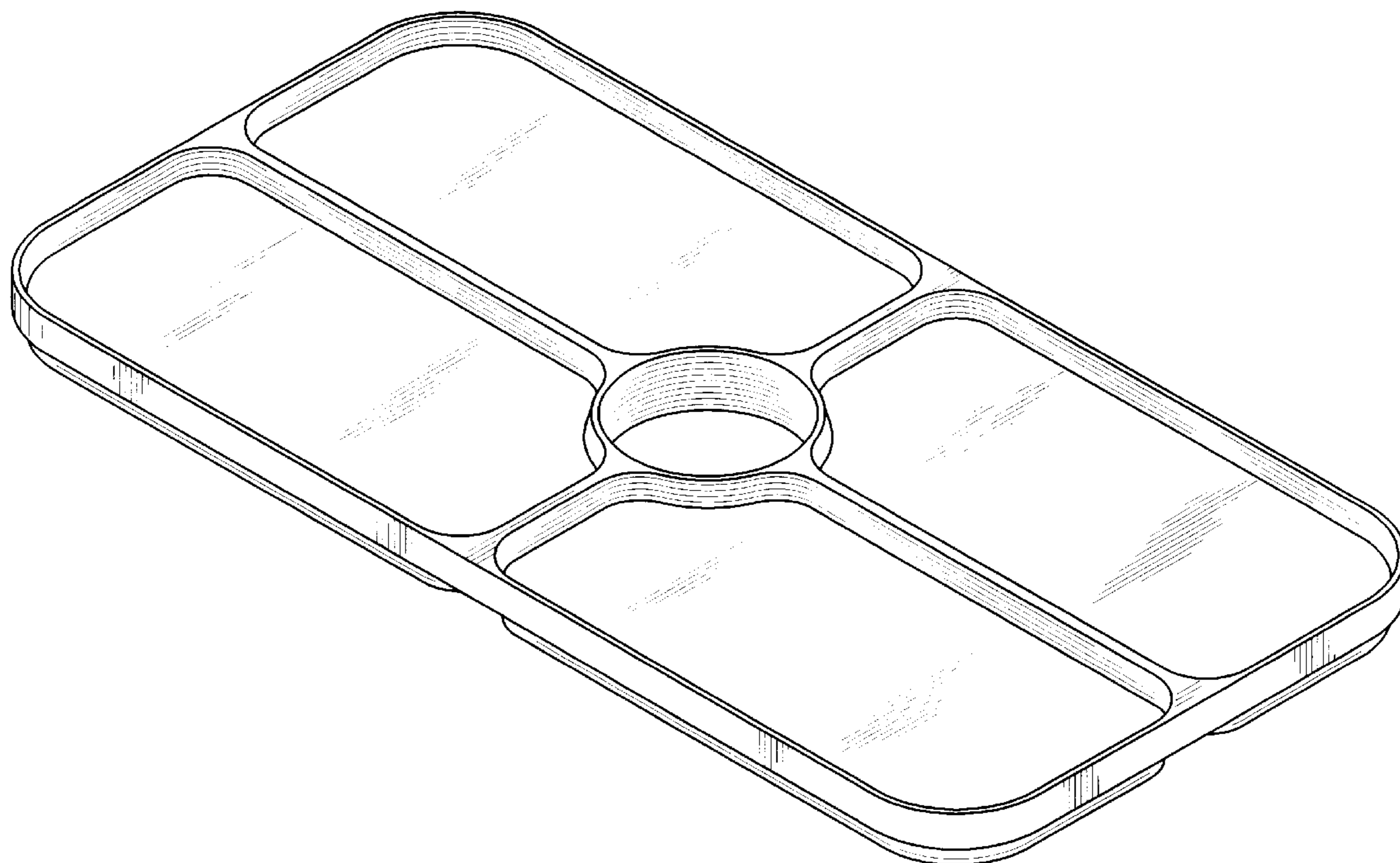


FIG. 1

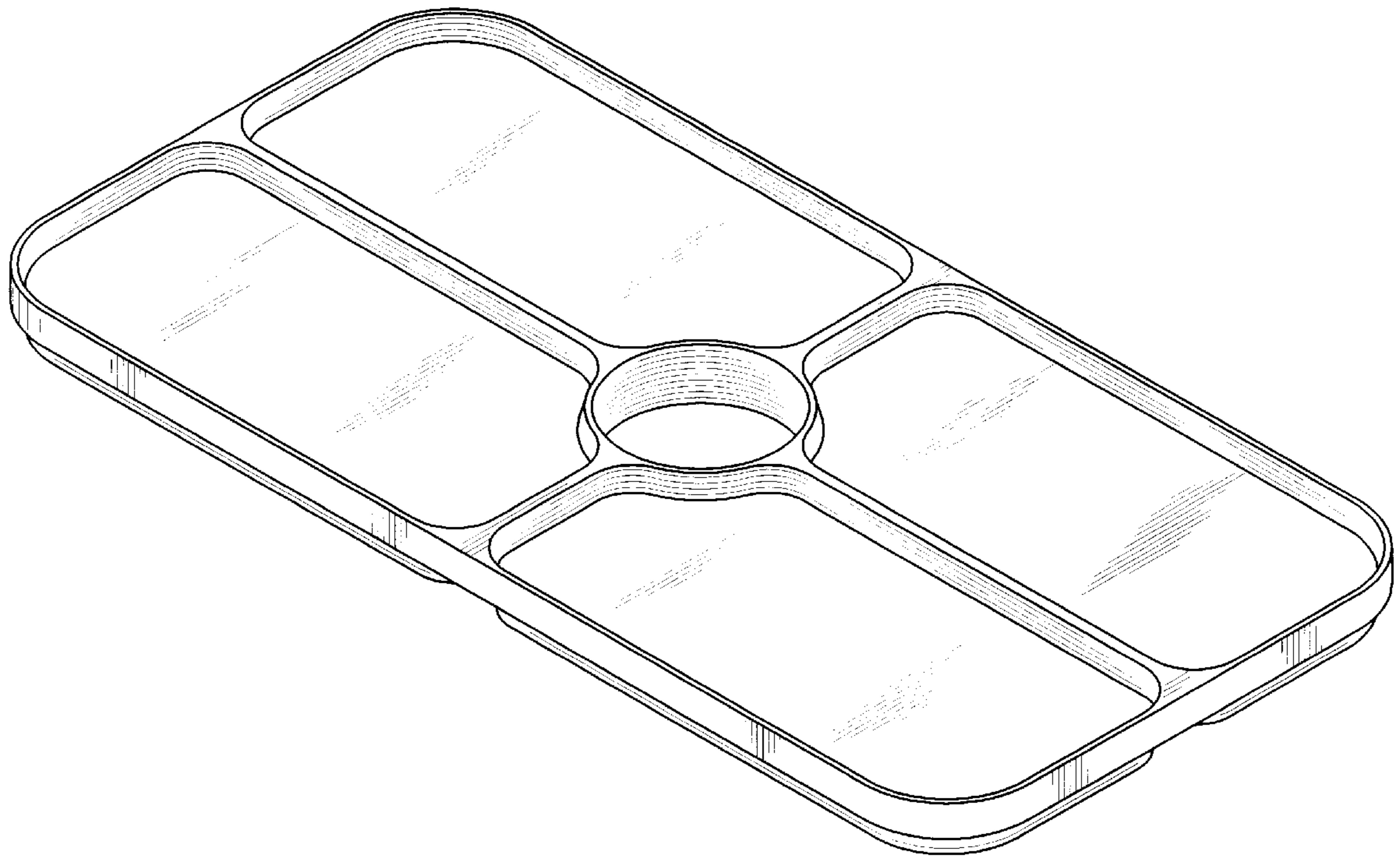


FIG. 2

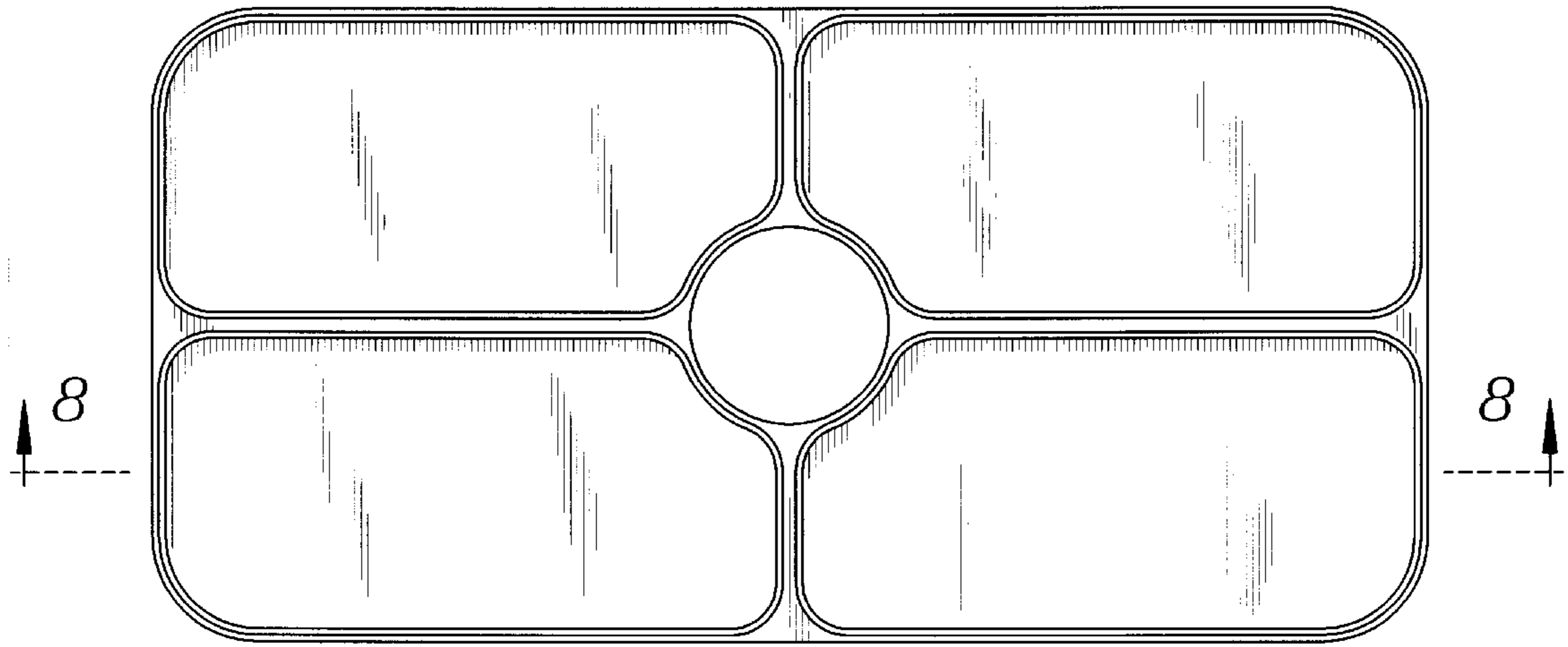


FIG. 3

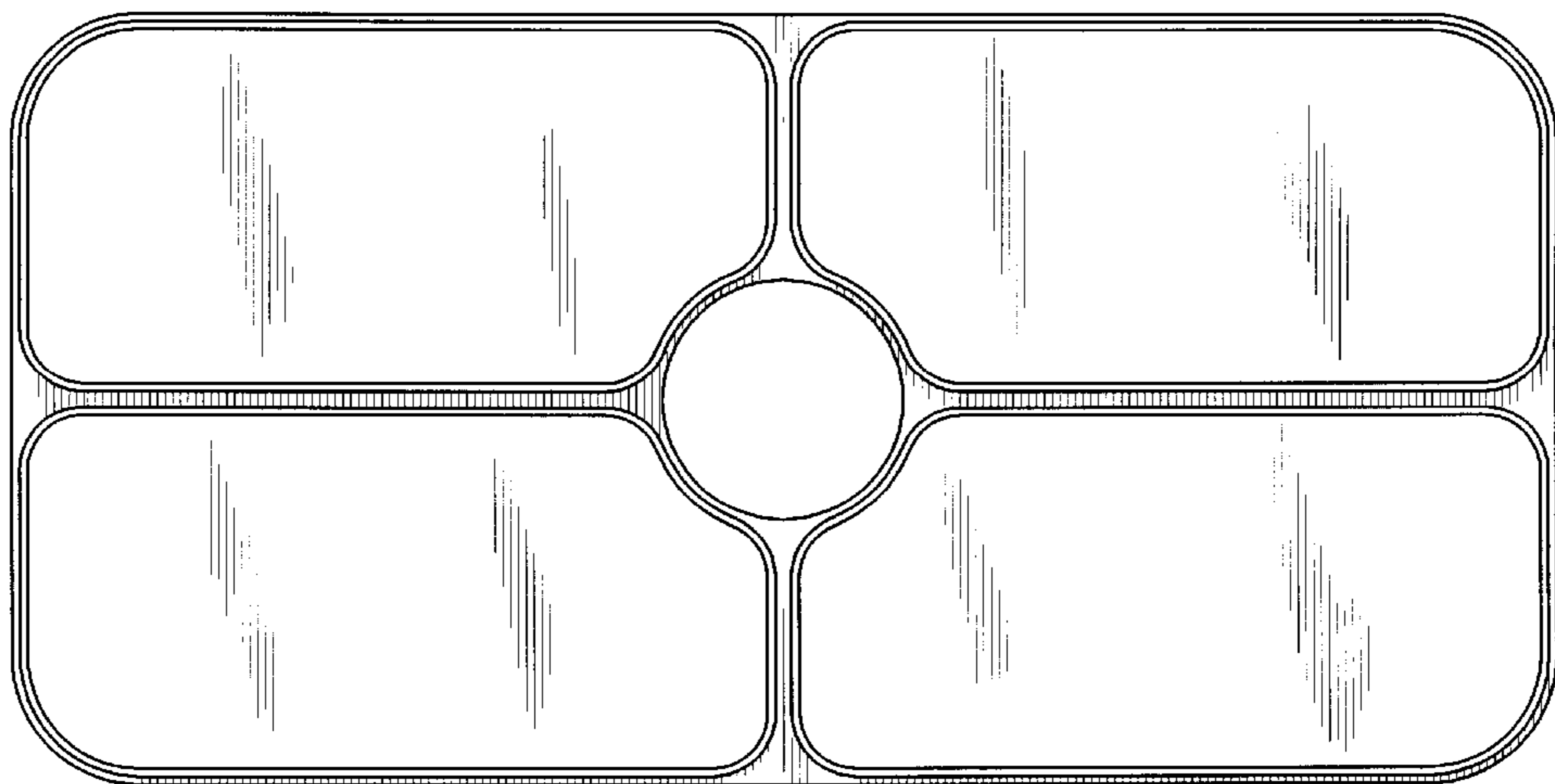


FIG. 4

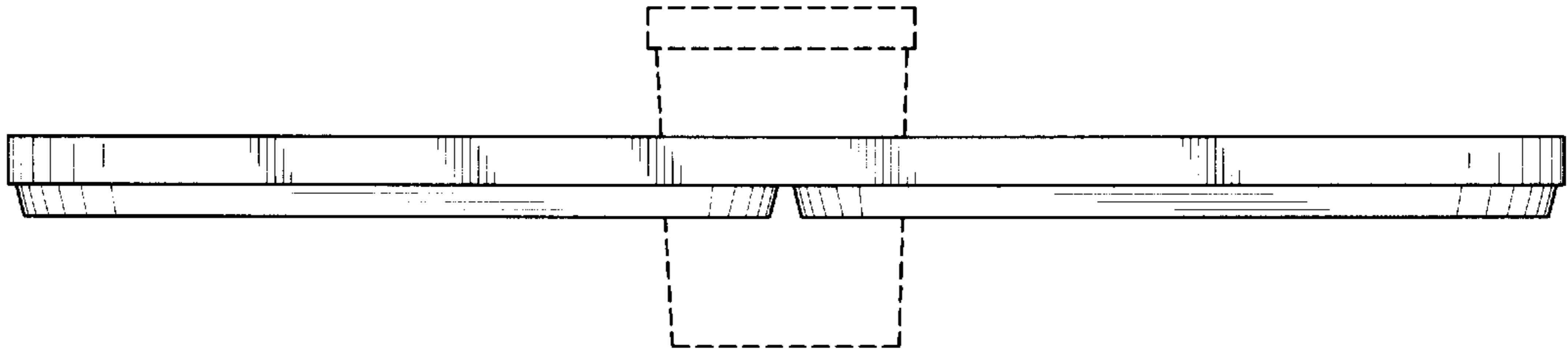


FIG. 5



FIG. 6

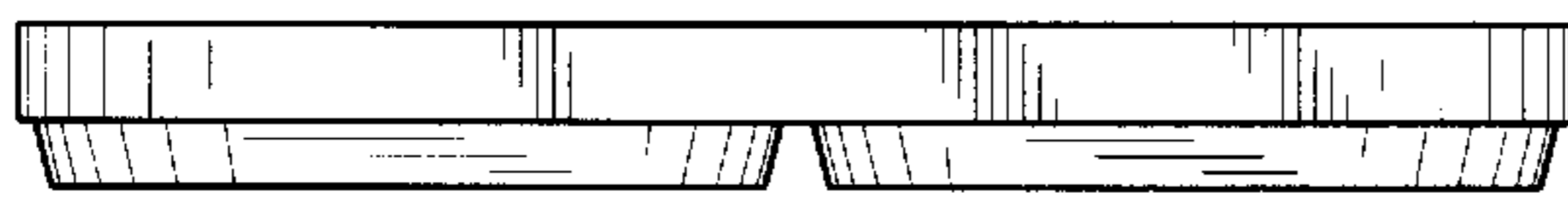


FIG. 7

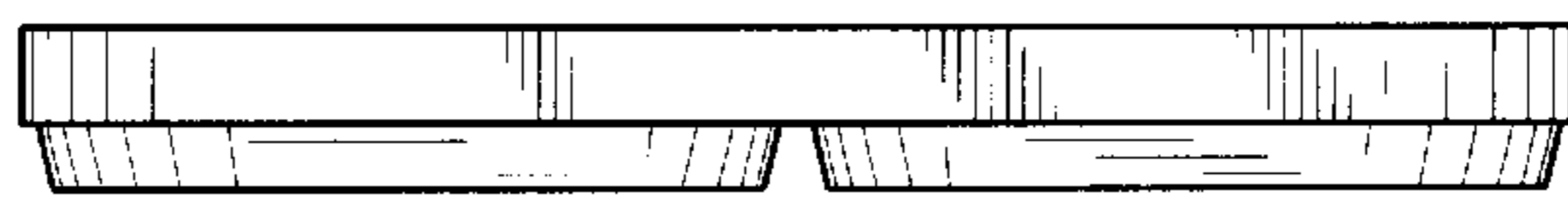


FIG. 8

