



US00D399093S

# United States Patent [19] Hayes

[11] **Patent Number: Des. 399,093**

[45] **Date of Patent: \*\*Oct. 6, 1998**

[54] **STOVE HEATING ELEMENT COVER KIT**

[76] Inventor: **James V. Hayes**, 7212 Oriole St.,  
Jacksonville, Fla. 32208-3359

[\*\*] Term: **14 Years**

[21] Appl. No.: **70,672**

[22] Filed: **May 13, 1997**

[51] **LOC (6) Cl. .... 07-02**

[52] **U.S. Cl. .... D7/407**

[58] **Field of Search** ..... D7/402, 407, 408,  
D7/340, 346; 126/220, 221, 214 D, 214 C,  
216, 215

[56] **References Cited**

**U.S. PATENT DOCUMENTS**

D. 357,385	4/1995	Addison et al. ....	D7/407
859,659	7/1907	Herrington .....	126/220
1,566,185	12/1925	Elmgren .....	D7/407
1,922,420	8/1933	Coulston .....	126/214 D
4,236,503	12/1980	Kemp .....	126/214 D
4,378,412	3/1983	Snyders .....	428/573
5,196,677	3/1993	Stasyshyn .....	219/433

**FOREIGN PATENT DOCUMENTS**

563408 3/1923 France ..... 126/221

**OTHER PUBLICATIONS**

Williams-Sonoma, Apr. 1992, p. 71. "Chantal Cooktop Covers" (top of page).

*Primary Examiner*—Ruth McInroy

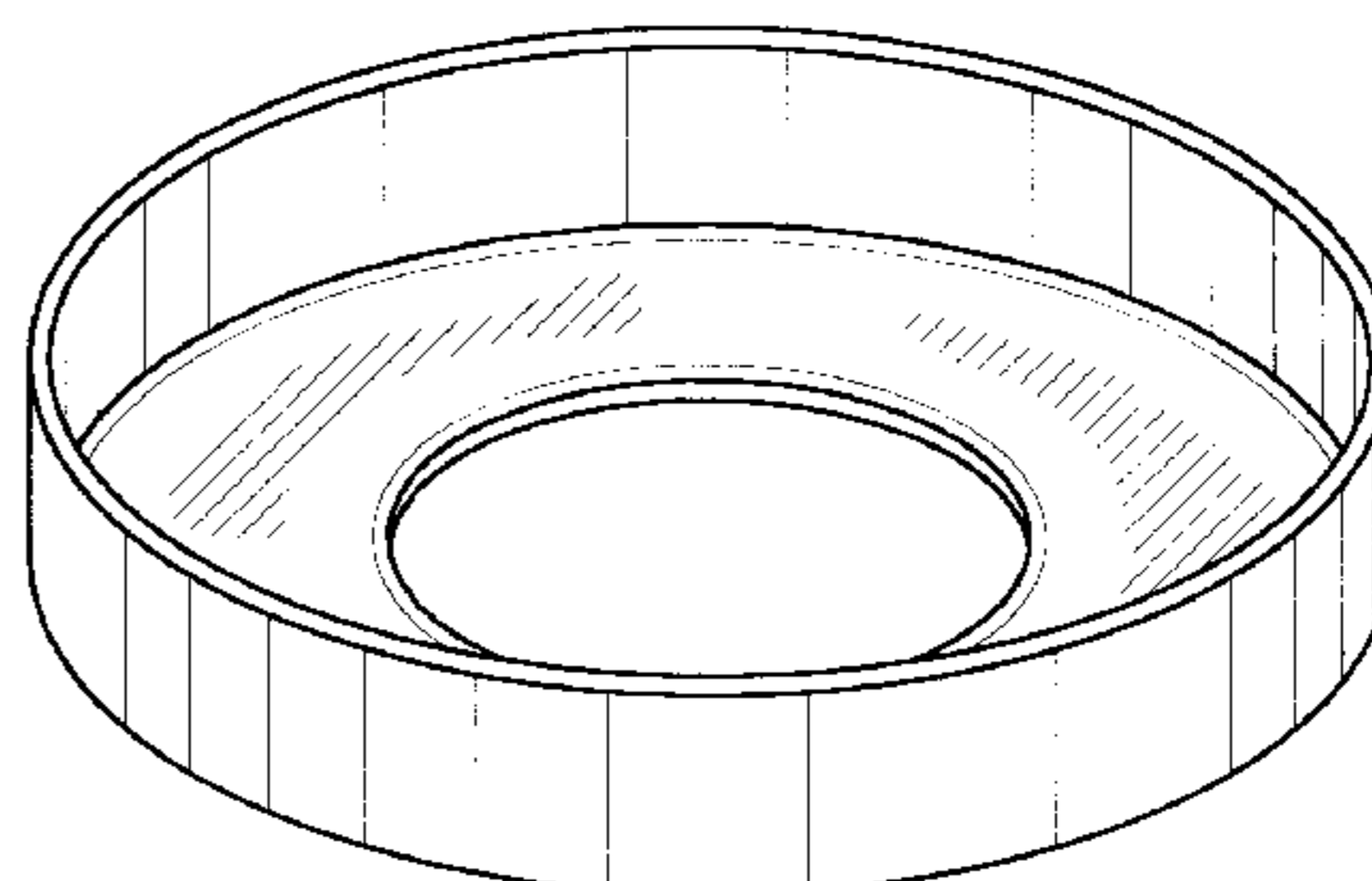
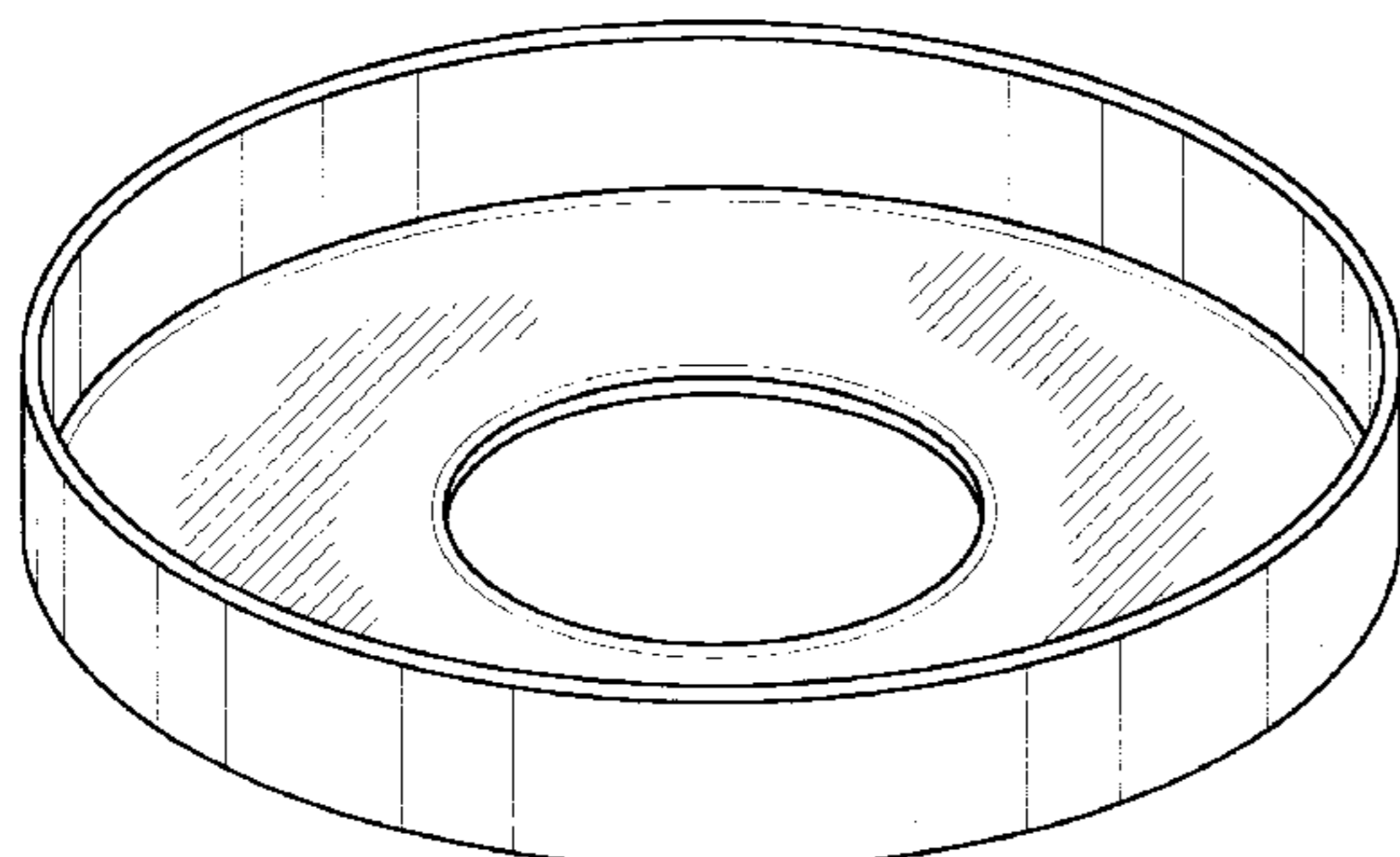
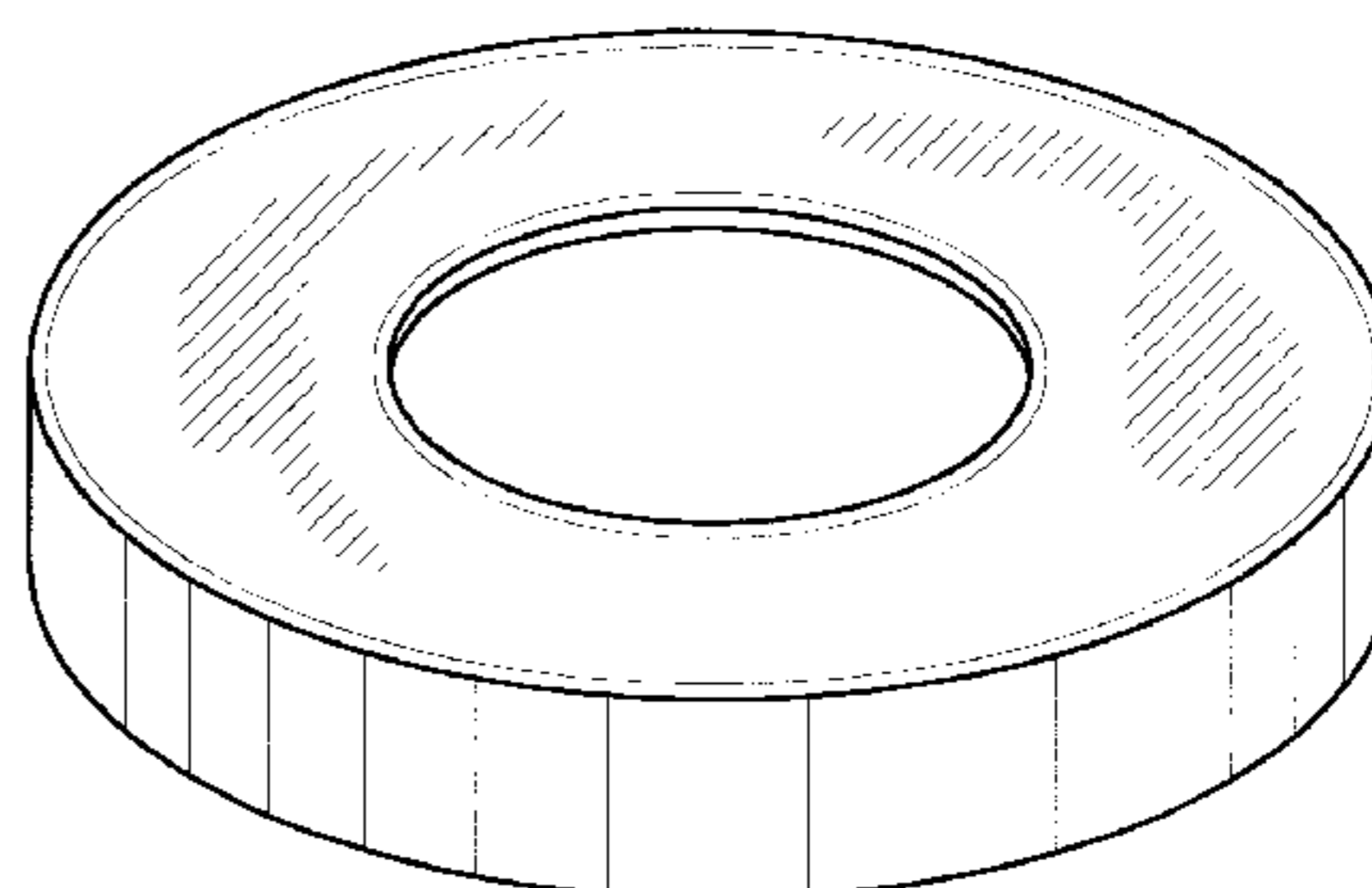
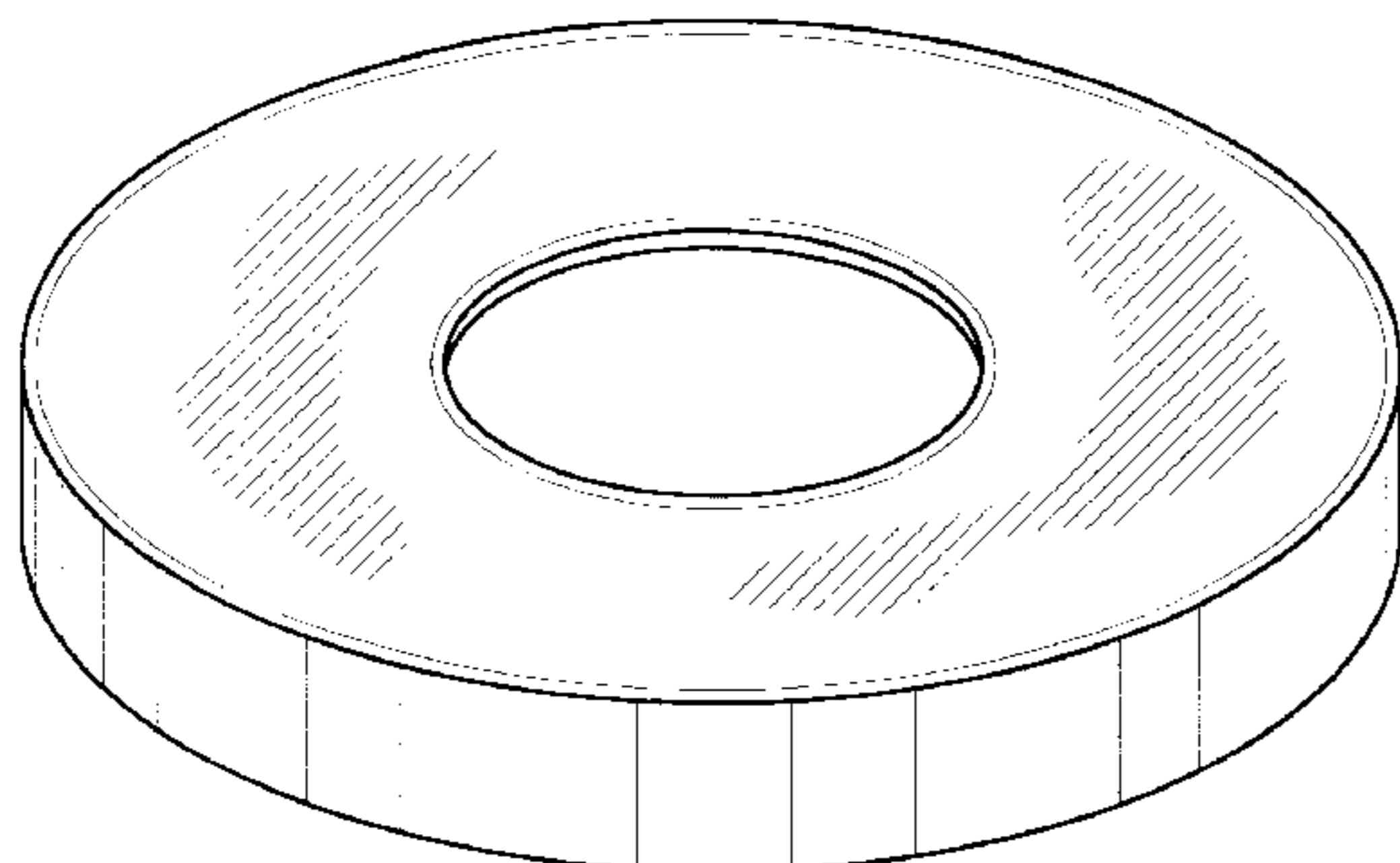
[57] **CLAIM**

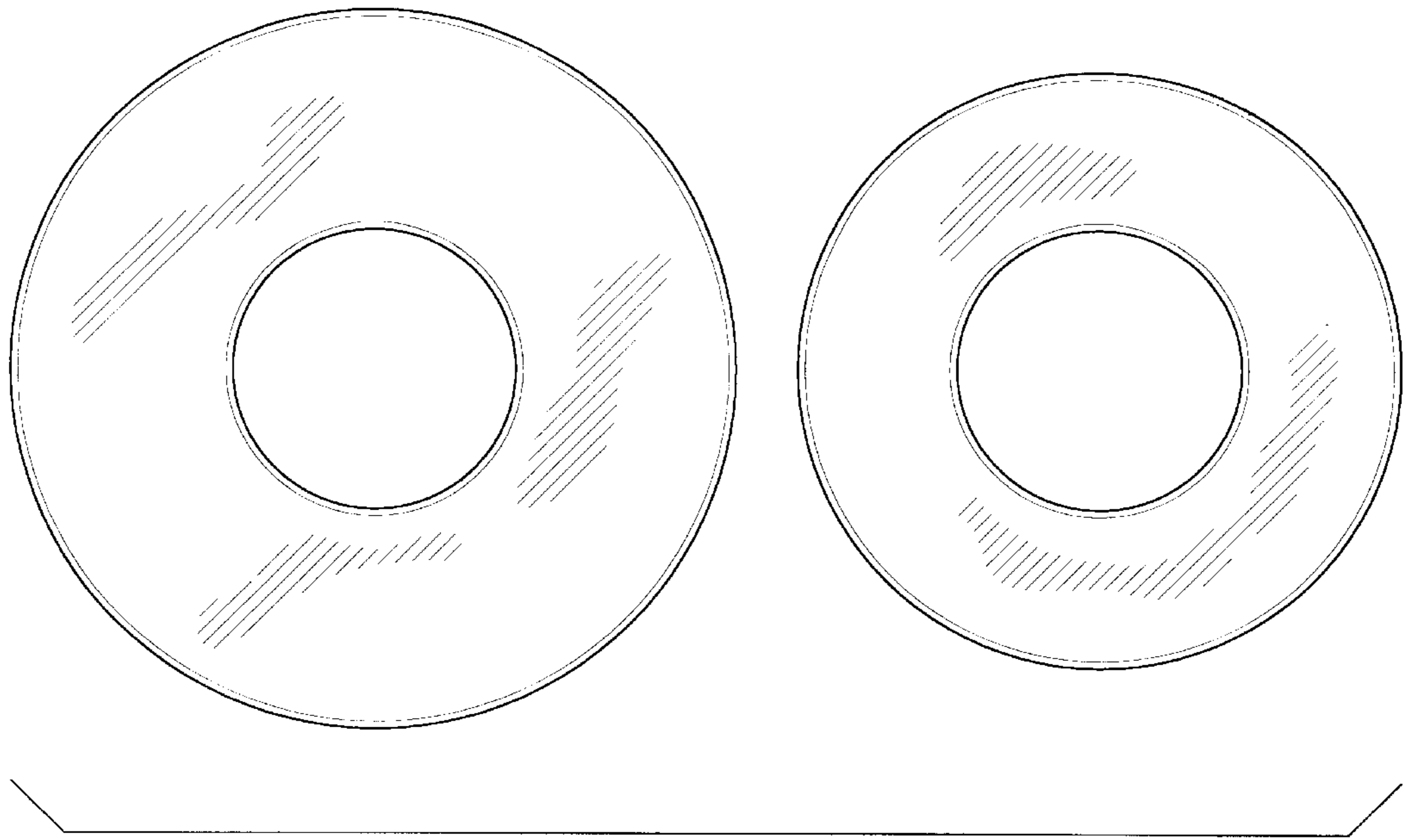
The ornamental design for a stove heating element cover kit, as shown.

**DESCRIPTION**

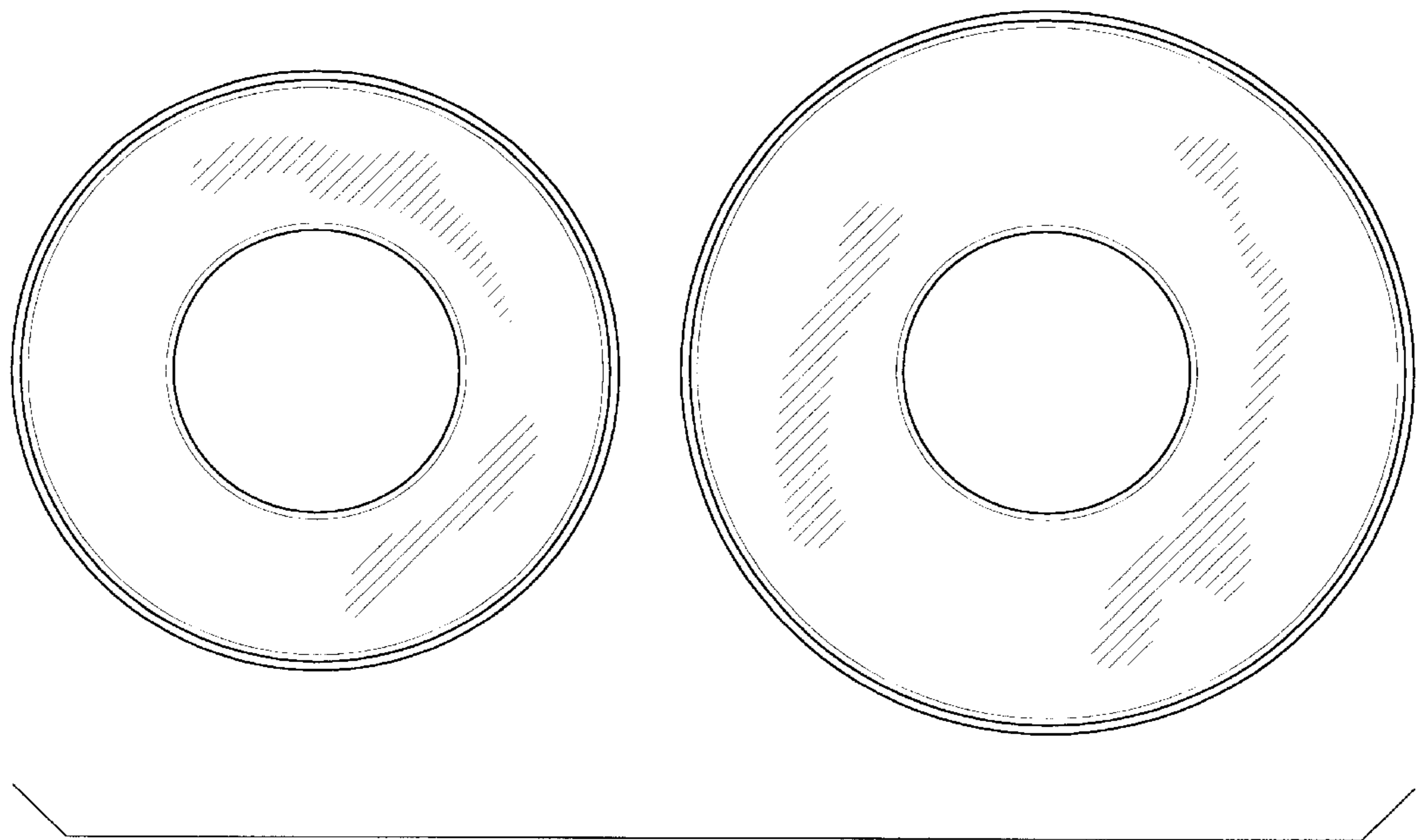
FIG. 1 is a front elevational view of a stove heating element cover kit showing my new design; FIG. 2 is a rear elevational view thereof; FIG. 3 is a left side elevational view thereof; FIG. 4 is a right side elevational view thereof; FIG. 5 is a top plan view thereof; FIG. 6 is a bottom plan view thereof; FIG. 7 is a top perspective view thereof; and, FIG. 8 is a bottom perspective view thereof.

**1 Claim, 4 Drawing Sheets**

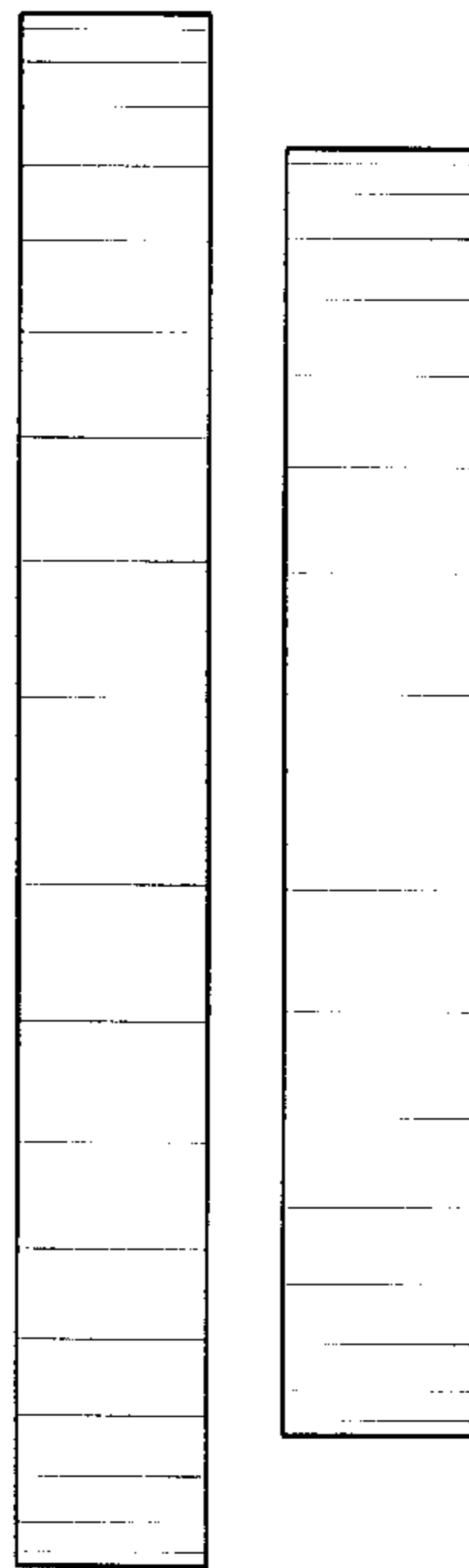




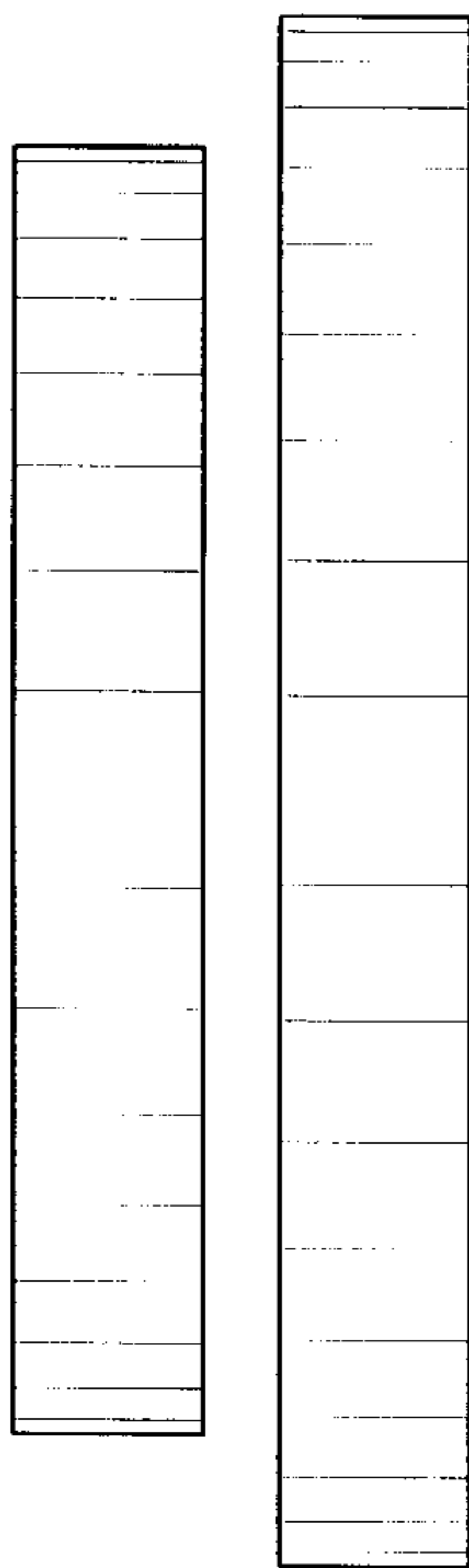
*Fig. 1*



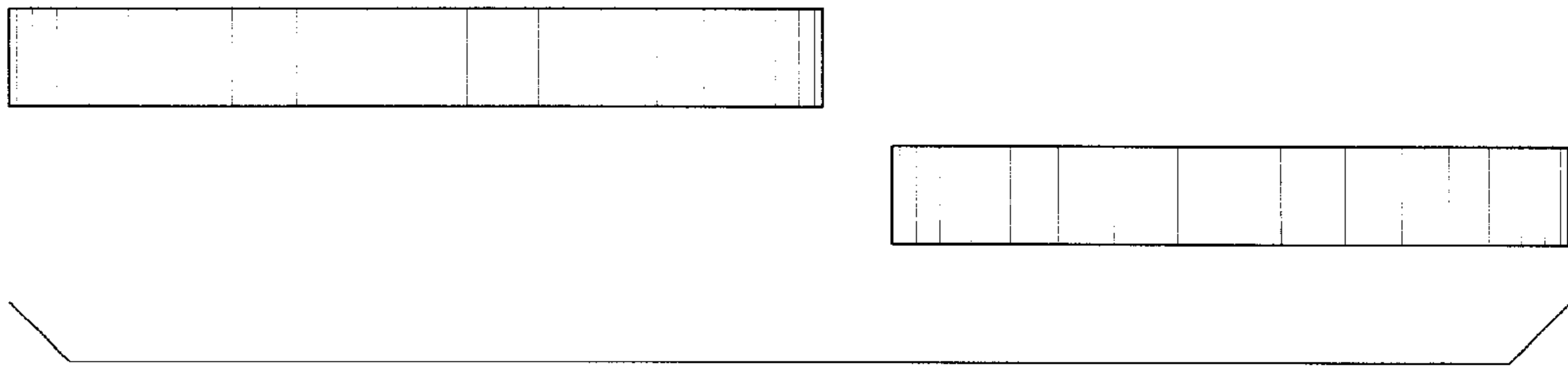
*Fig. 2*



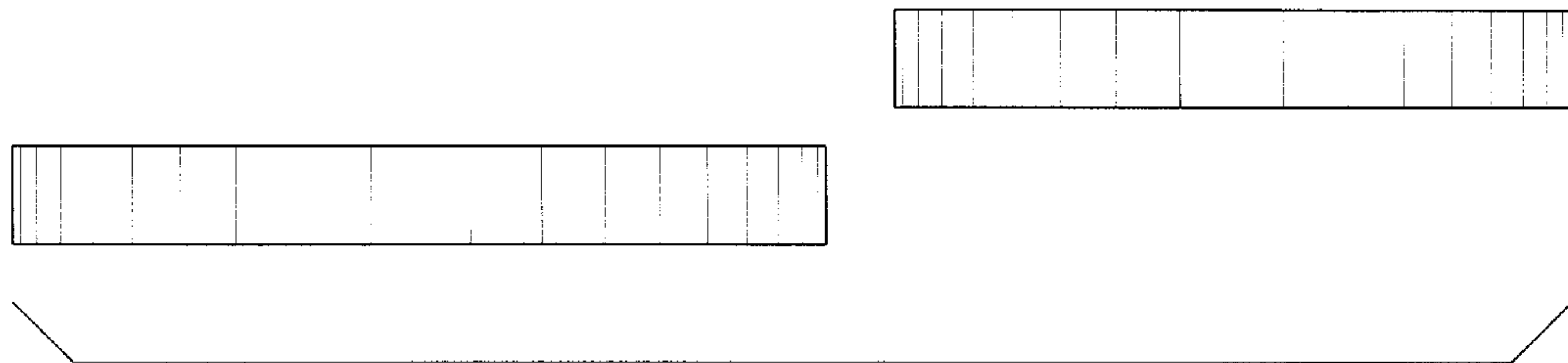
*Fig. 3*



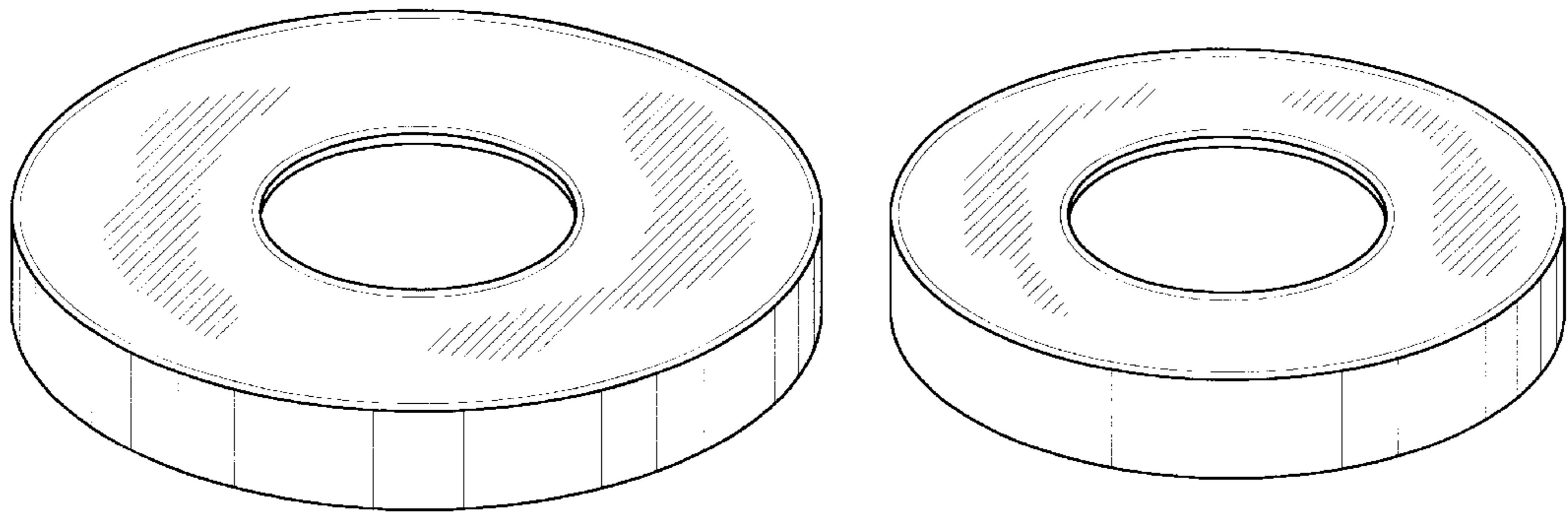
*Fig. 4*



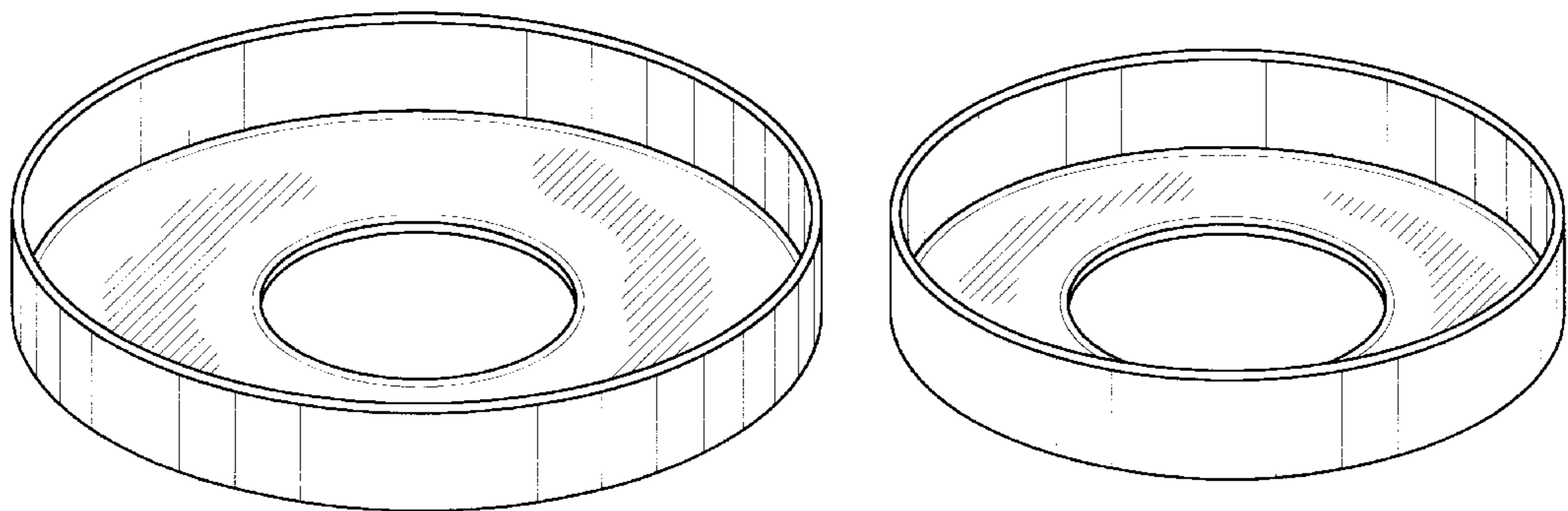
*Fig. 5*



*Fig. 6*



*Fig. 7*



*Fig. 8*