



US00D399092S

United States Patent [19]
Miller

[11] **Patent Number: Des. 399,092**

[45] **Date of Patent: **Oct. 6, 1998**

[54] **SUPPORT FOR DRIP CATCHER**
[76] Inventor: **Roger A. Miller**, 91 Old Farm School Rd., Asheville, N.C. 28805
[**] Term: **14 Years**
[21] Appl. No.: **69,328**
[22] Filed: **Mar. 28, 1997**
[51] **LOC (6) Cl.** **07-99**
[52] **U.S. Cl.** **D7/397; D7/300**
[58] **Field of Search** D7/397, 550, 398, D7/213, 300; D6/511, 541; 222/108; 294/172; 108/97

2,558,323 6/1951 Strun 108/97
5,317,977 6/1994 Omessi 108/97
5,470,011 11/1995 Jordan 222/108

Primary Examiner—M. N. Pandozzi
Attorney, Agent, or Firm—Carter & Schnedler, P.A.

[57] **CLAIM**

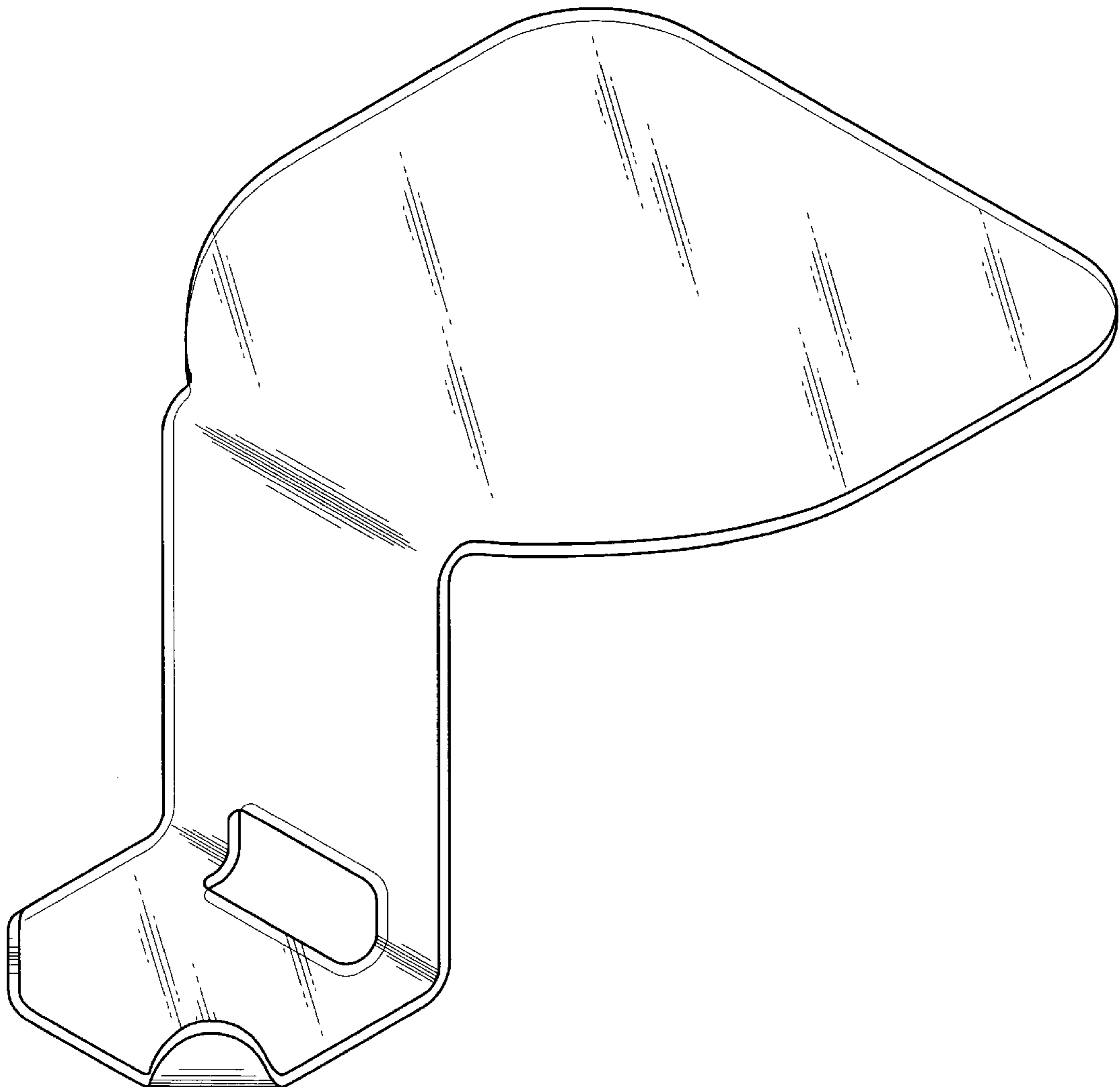
The ornamental design for the support for drip catcher, as shown.

DESCRIPTION

FIG. 1 is a top, right perspective view of a support for drip catcher showing my new design;
FIG. 2 is a top plan view of the support for drip catcher;
FIG. 3 is a side elevational view of the support for 1 drip catcher; and,
FIG. 4 is a top left perspective view thereof.
The broken line showing in FIG. 4 is for illustrative purposes only and forms no part of the claimed design.

[56] **References Cited**
U.S. PATENT DOCUMENTS
163,481 5/1875 Gray 222/108
215,016 5/1879 Mettee 222/108
D. 326,795 6/1992 Reitz et al. D7/397

1 Claim, 3 Drawing Sheets



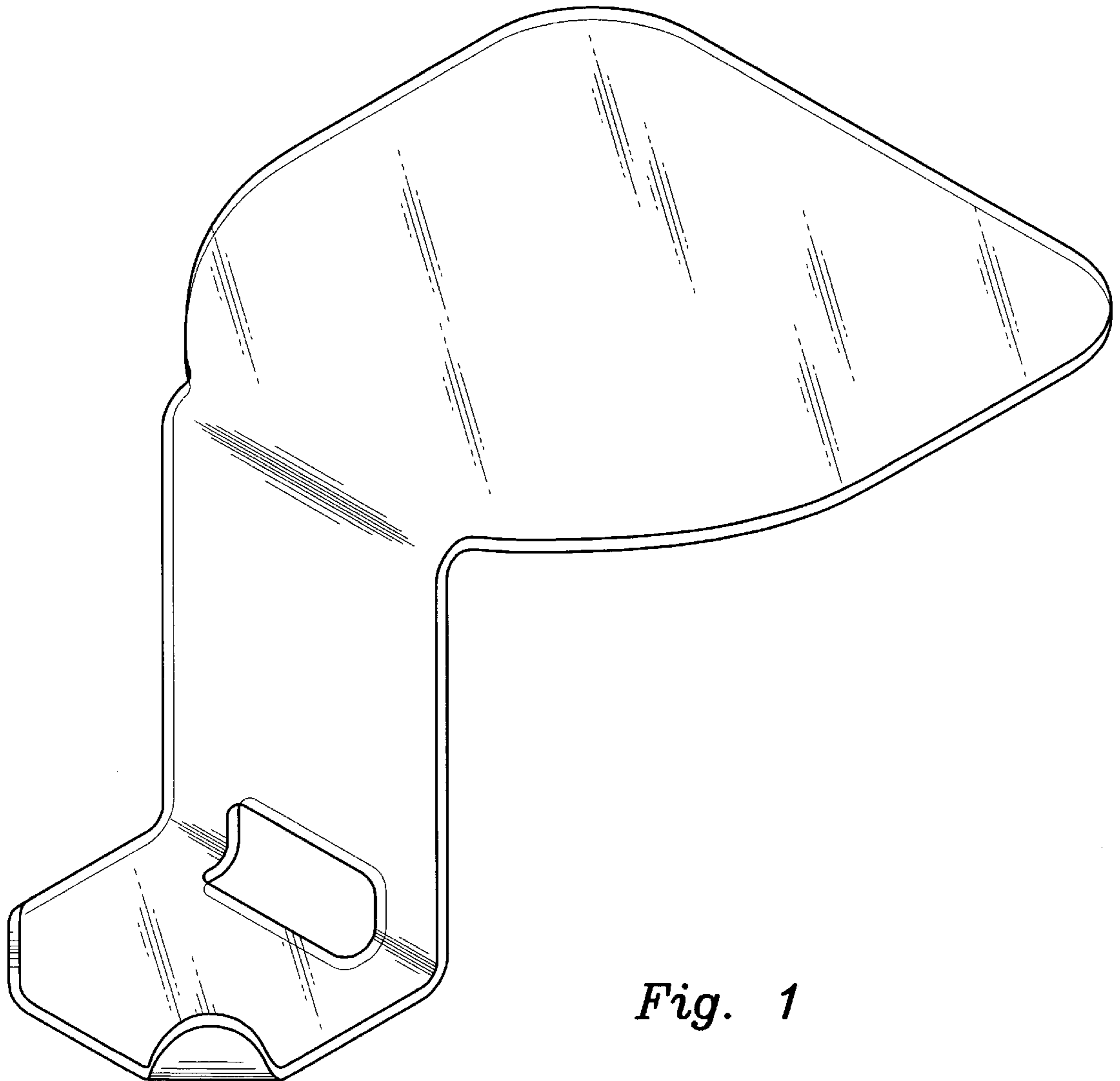


Fig. 1

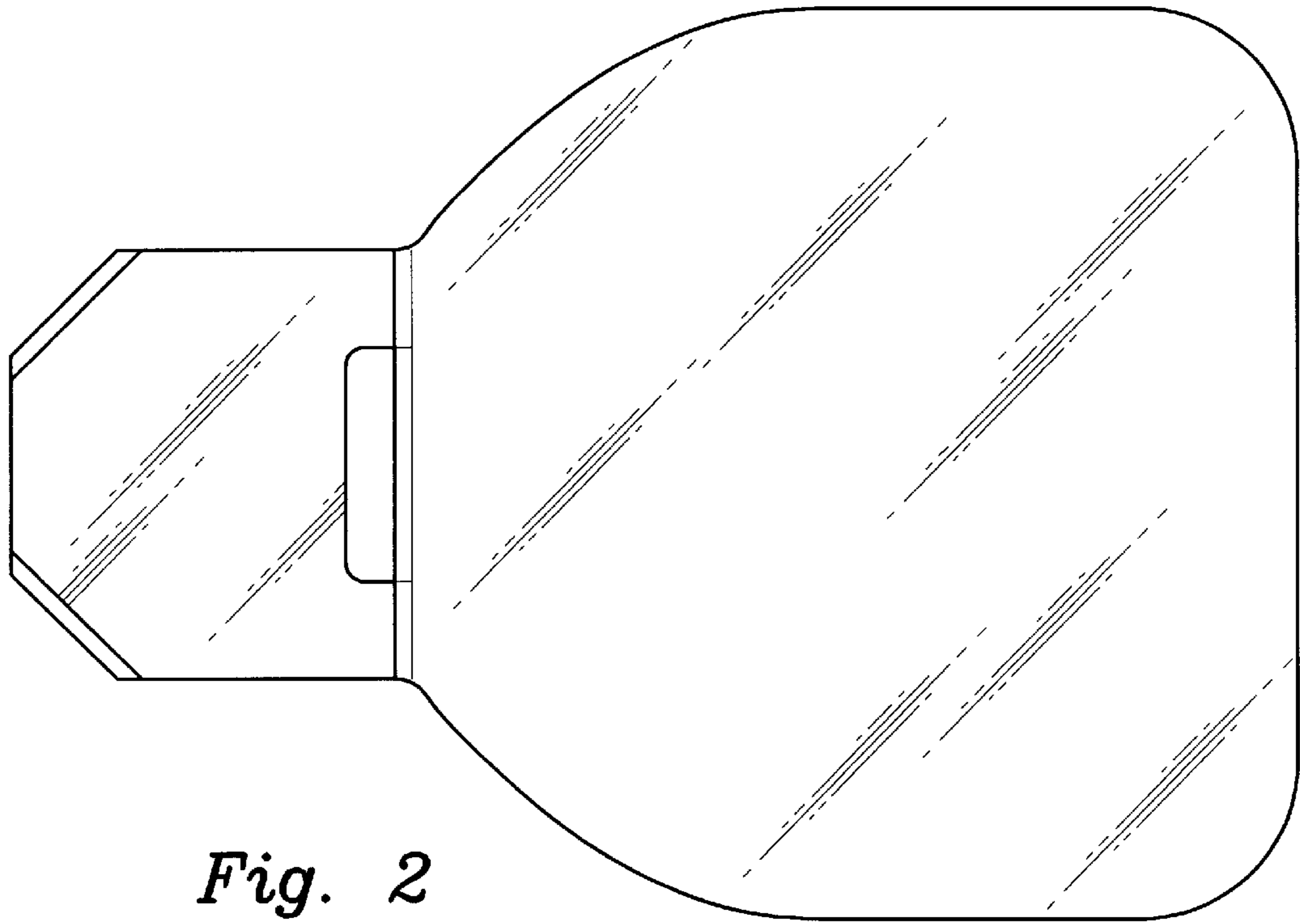


Fig. 2

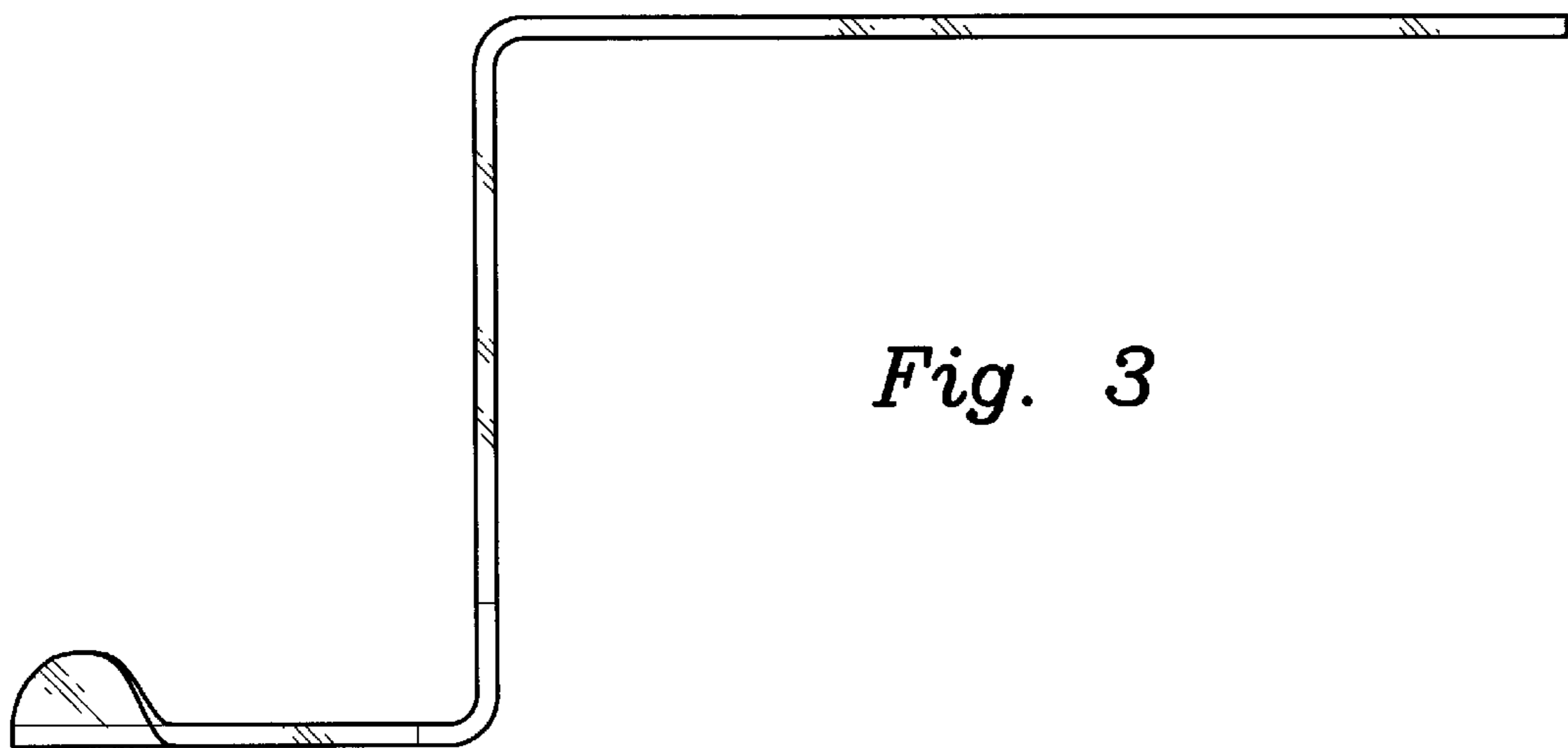


Fig. 3

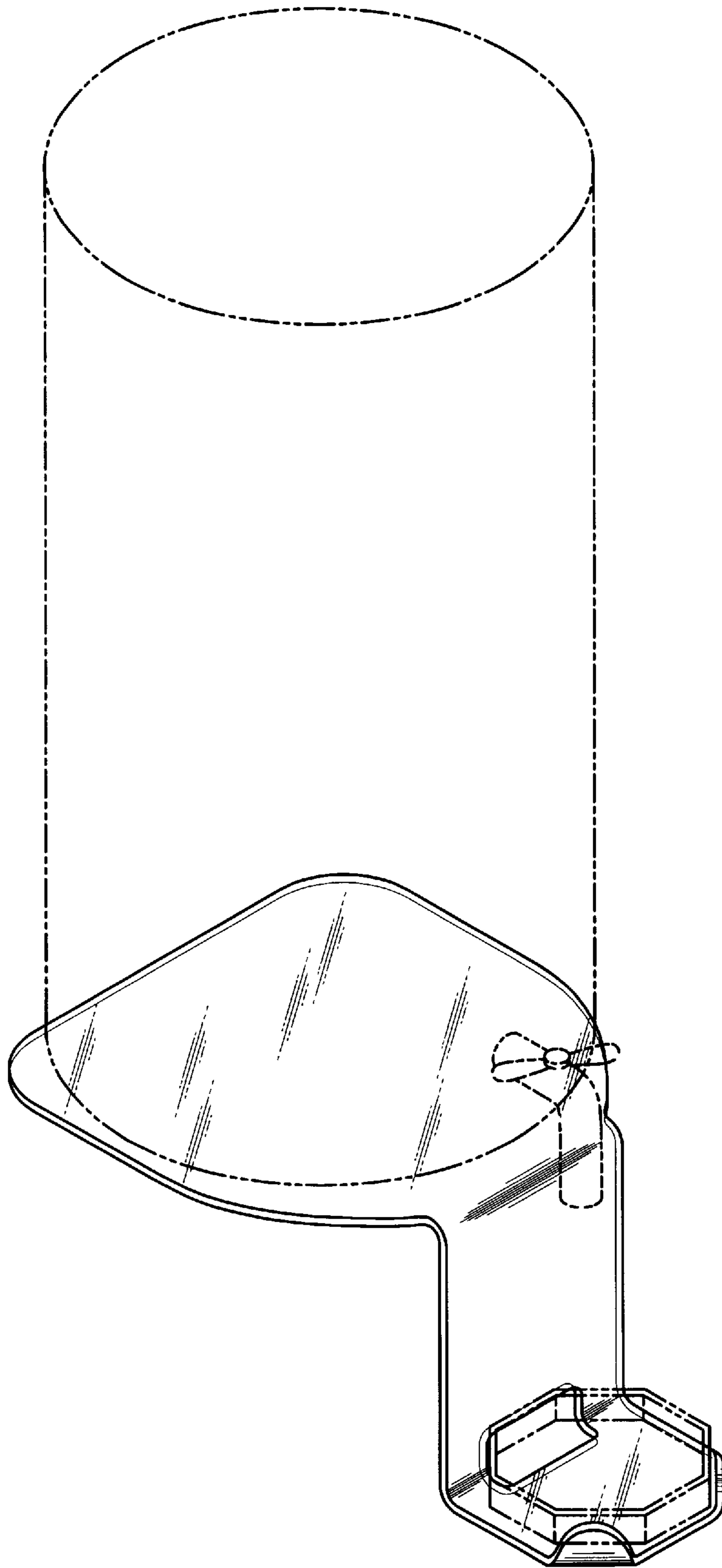


Fig. 4