



US00D399091S

# United States Patent [19] Rubin

[11] **Patent Number:** **Des. 399,091**

[45] **Date of Patent:** **\*\*Oct. 6, 1998**

[54] **AUTOMATIC POT STIRRER**

[76] Inventor: **Jason H. Rubin**, 4321 Montgomery Blvd., Albuquerque, N. Mex. 87109

[\*\*] Term: **14 Years**

[21] Appl. No.: **78,068**

[22] Filed: **Oct. 16, 1997**

[51] **LOC (6) Cl.** ..... **31-00**

[52] **U.S. Cl.** ..... **D7/376**

[58] **Field of Search** ..... D7/376-386; 99/324, 99/325, 339, 340, 348; 366/244, 247, 279, 342

5,193,441 3/1993 Hayashi ..... 99/348  
5,199,788 4/1993 Stallings ..... 366/247  
5,332,310 7/1994 Wells ..... 366/129

*Primary Examiner*—Caron D. Veynar  
*Attorney, Agent, or Firm*—David L. Volk

## [57] **CLAIM**

The ornamental design for an automatic pot stirrer, as shown and described.

## **DESCRIPTION**

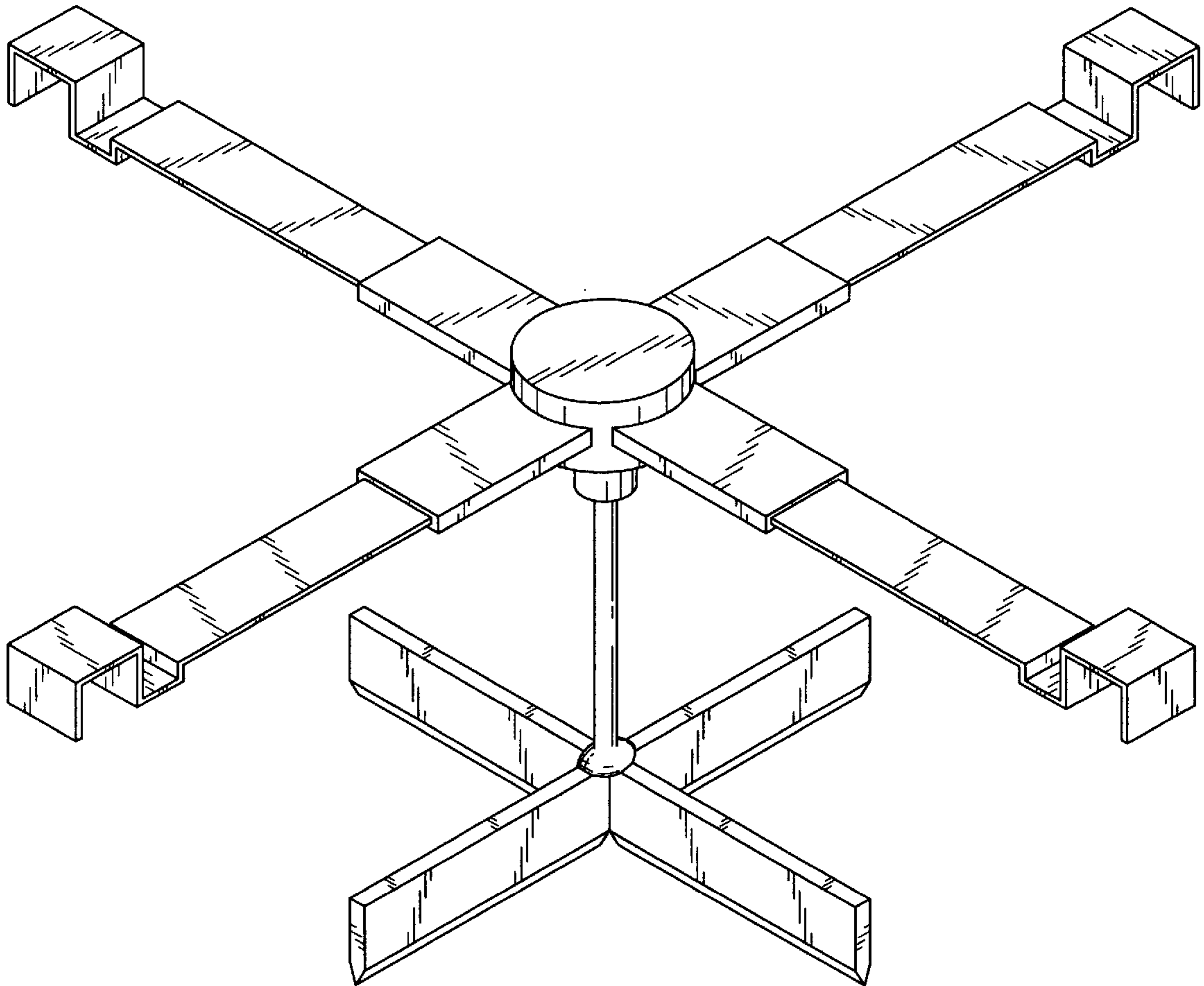
FIG. 1 is a perspective view of an automatic pot stirrer showing my new design; FIG. 2 is a perspective view thereof, shown without the environmental structure; FIG. 3 is a left side elevational view thereof, the right side, front and rear being the same as this view; FIG. 4 is a top plan view thereof; and, FIG. 5 is a bottom plan view thereof. The broken line illustration shows environmental structure and forms no part of the claimed invention. Undisclosed surfaces are plain and unornamented.

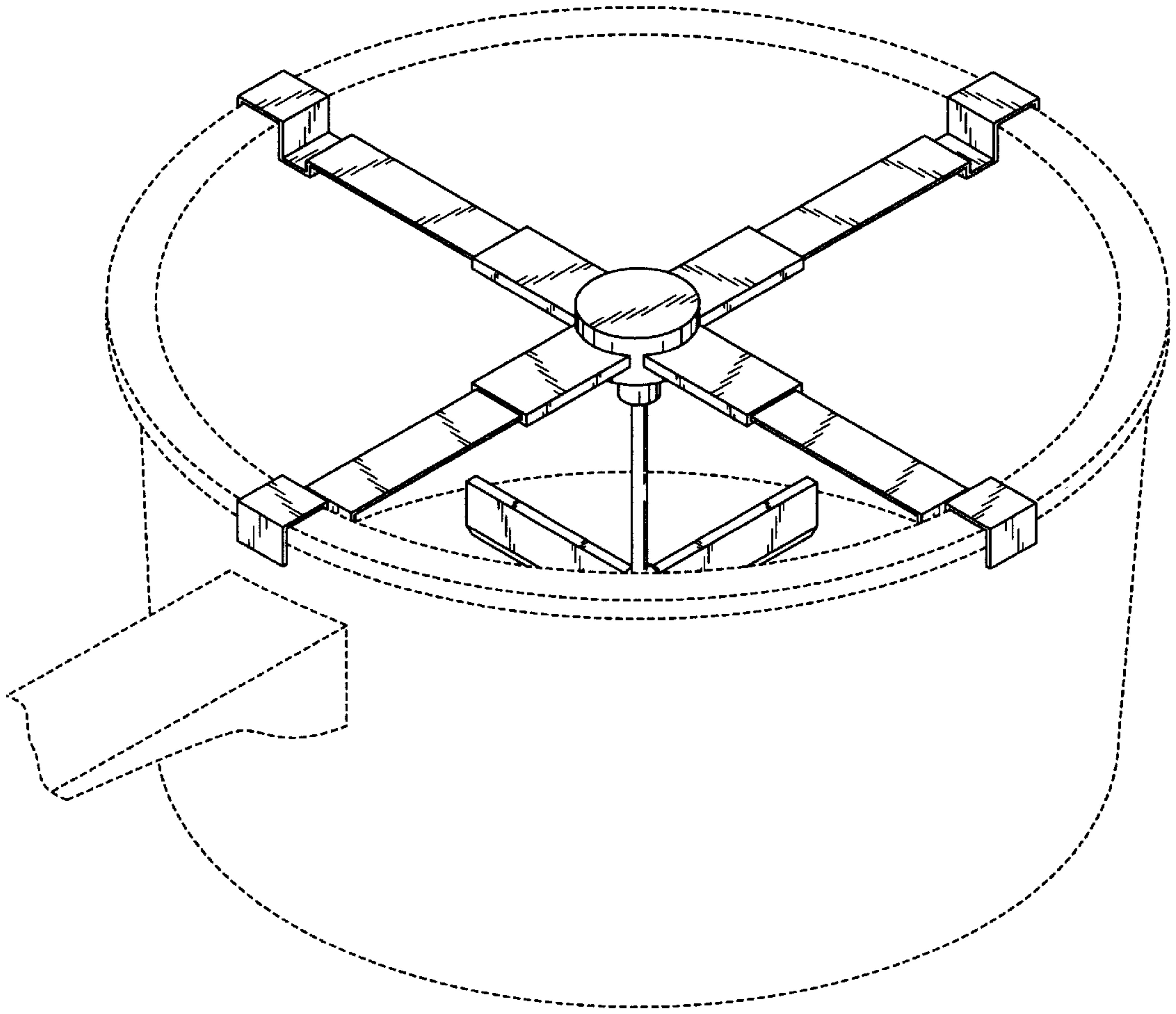
## [56] **References Cited**

### U.S. PATENT DOCUMENTS

D. 316,100	4/1991	Kief	.....	D15/19
D. 341,291	11/1993	Dow, III	.....	D7/376
D. 366,593	1/1996	Robinson	.....	D7/376
4,125,065	11/1978	Lee	.....	99/348
4,339,992	7/1982	Kurland	.....	99/348
4,832,501	5/1989	McCauley	.....	366/279

**1 Claim, 5 Drawing Sheets**





**Fig. 1**

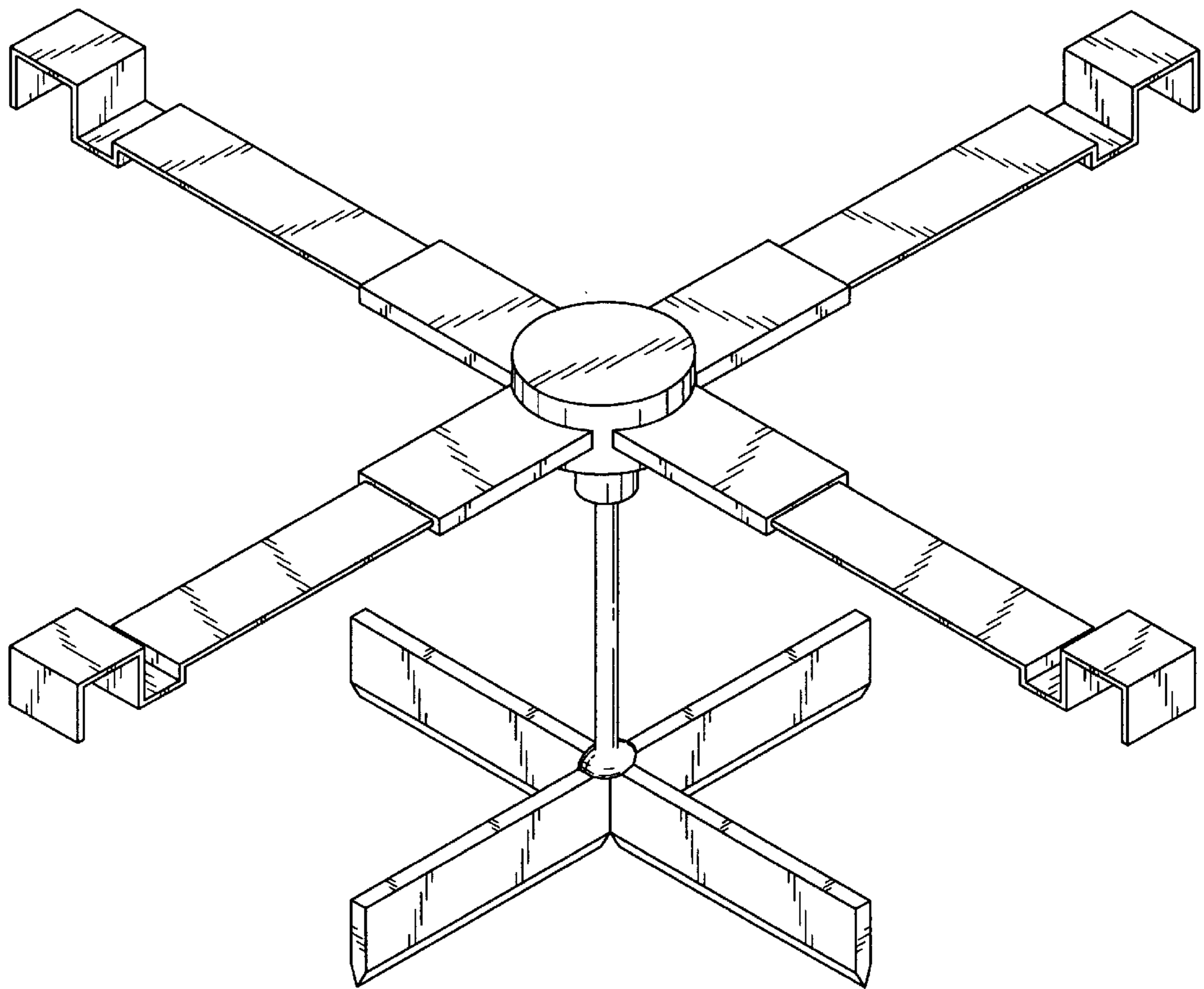
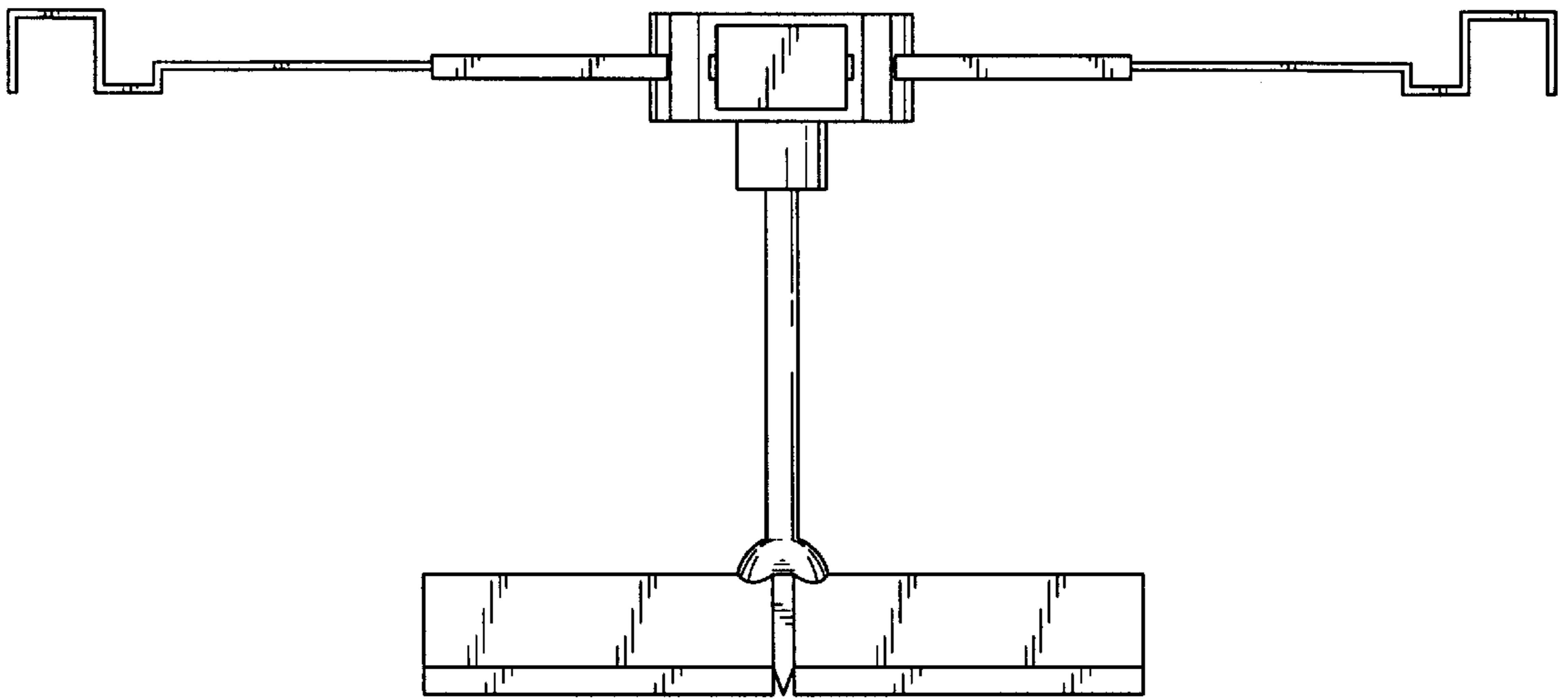


Fig. 2



**Fig. 3**

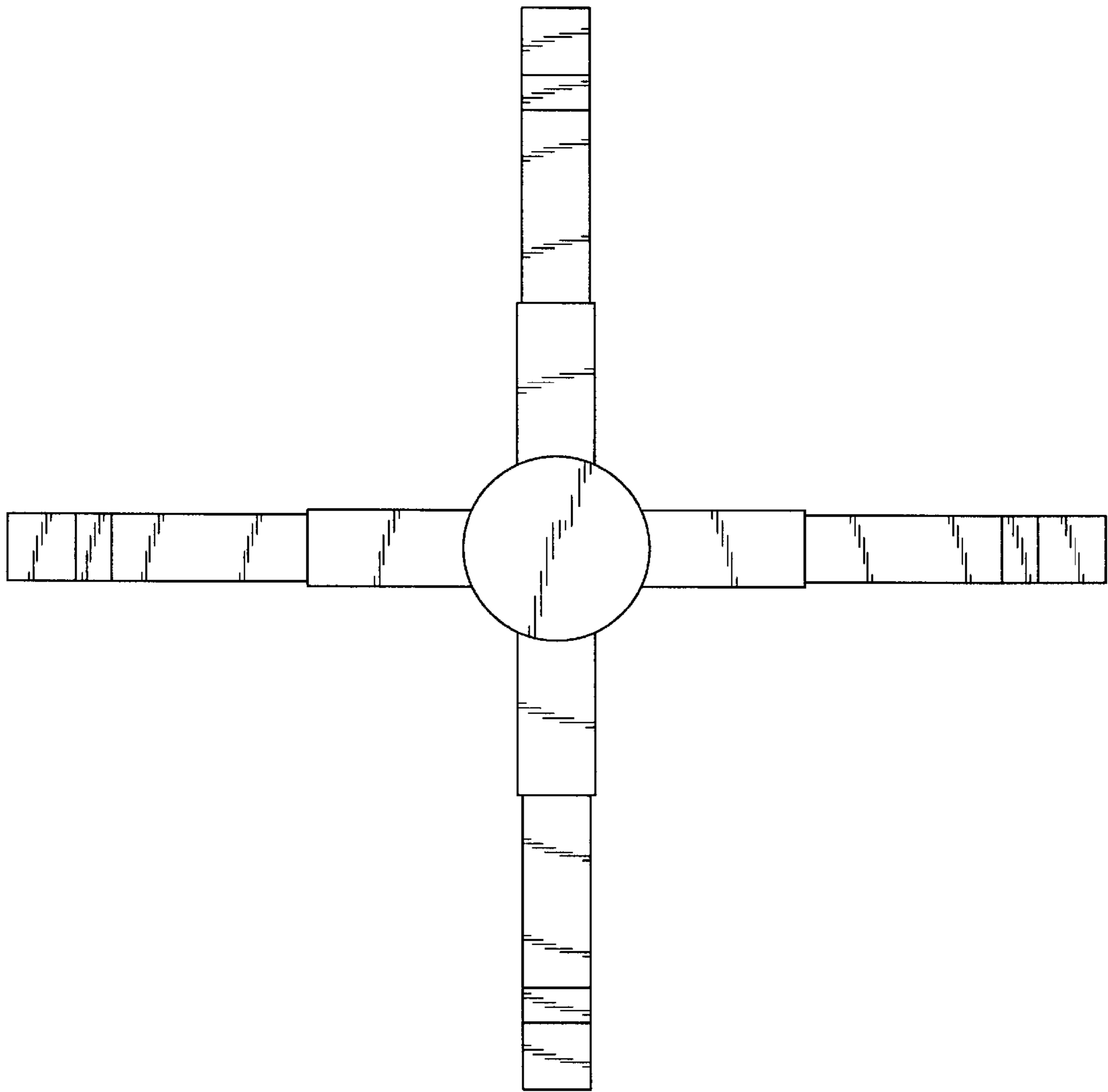


Fig. 4

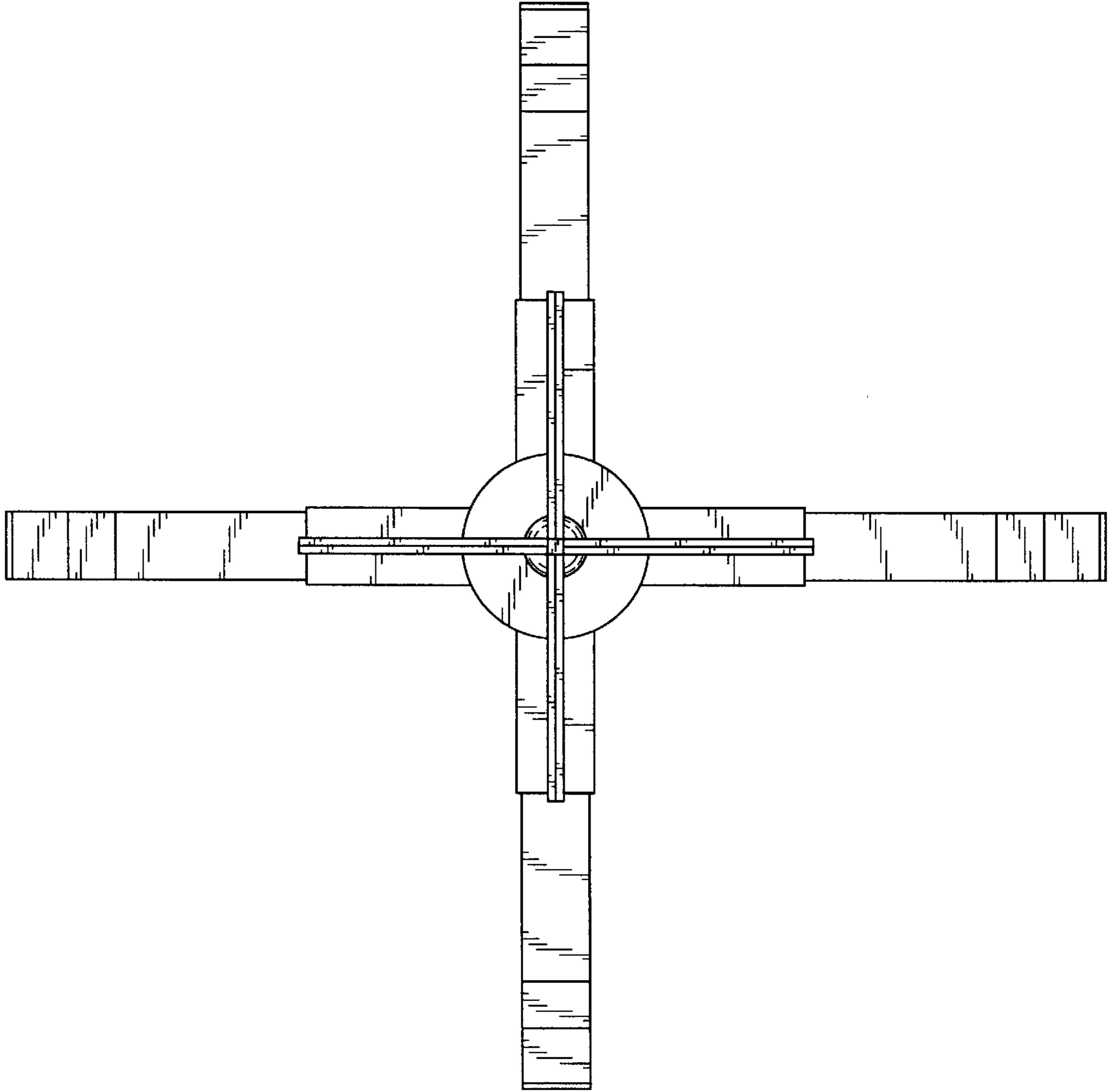


Fig. 5