



US00D399090S

United States Patent [19] Green

[11] **Patent Number: Des. 399,090**

[45] **Date of Patent: **Oct. 6, 1998**

[54] **COMBINED WATER KETTLE WITH BASE**

[75] Inventor: **Michael Green**, London, England

[73] Assignee: **Aktiebolaget Electrolux**, Stockholm, Sweden

[**] Term: **14 Years**

[21] Appl. No.: **74,273**

[22] Filed: **Jul. 30, 1997**

[30] **Foreign Application Priority Data**

Feb. 28, 1997 [SE] Sweden 970503

[51] **LOC (6) Cl.** **07-01**

[52] **U.S. Cl.** **D7/319; D7/318**

[58] **Field of Search** D7/300, 302, 303, D7/312, 316, 317, 318, 319, 321, 322, 598, 600, 605, 608, 305; 222/465.1, 475.1

[56] **References Cited**

U.S. PATENT DOCUMENTS

- D. 362,151 9/1995 Wilson et al. D7/319
- D. 362,582 9/1995 Wilson et al. D7/319
- D. 366,388 1/1996 Anghini et al. D7/318 X
- D. 367,201 2/1996 Joergensen D7/318 X
- D. 367,394 2/1996 Wai D7/318 X

- D. 375,866 11/1996 Wai D7/319
- D. 381,858 8/1997 Richaud D7/318 X
- 4,825,759 5/1989 Grome et al. D7/317 X

OTHER PUBLICATIONS

Kettle by Gwyn Rawlands, Design 415, p. 4, Jul. 1983.

Primary Examiner—M. N. Pandozzi
Attorney, Agent, or Firm—Pearne, Gordon, McCoy & Granger LLP

[57] **CLAIM**

The ornamental design for a combined water kettle with base, as shown and described.

DESCRIPTION

FIG. 1 is a perspective view of water kettle with base plate, showing my new design;
FIG. 2 is a bottom view thereof;
FIG. 3 is a right hand side view thereof;
FIG. 4 is a left hand side view thereof;
FIG. 5 is a front view thereof;
FIG. 6 is a rear view thereof;
FIG. 7 is a top plan view thereof;
FIG. 8 is a top plan view thereof, with the kettle removed for ease of illustration showing only the base plate; and,
FIG. 9 is a bottom plan view thereof.

1 Claim, 5 Drawing Sheets

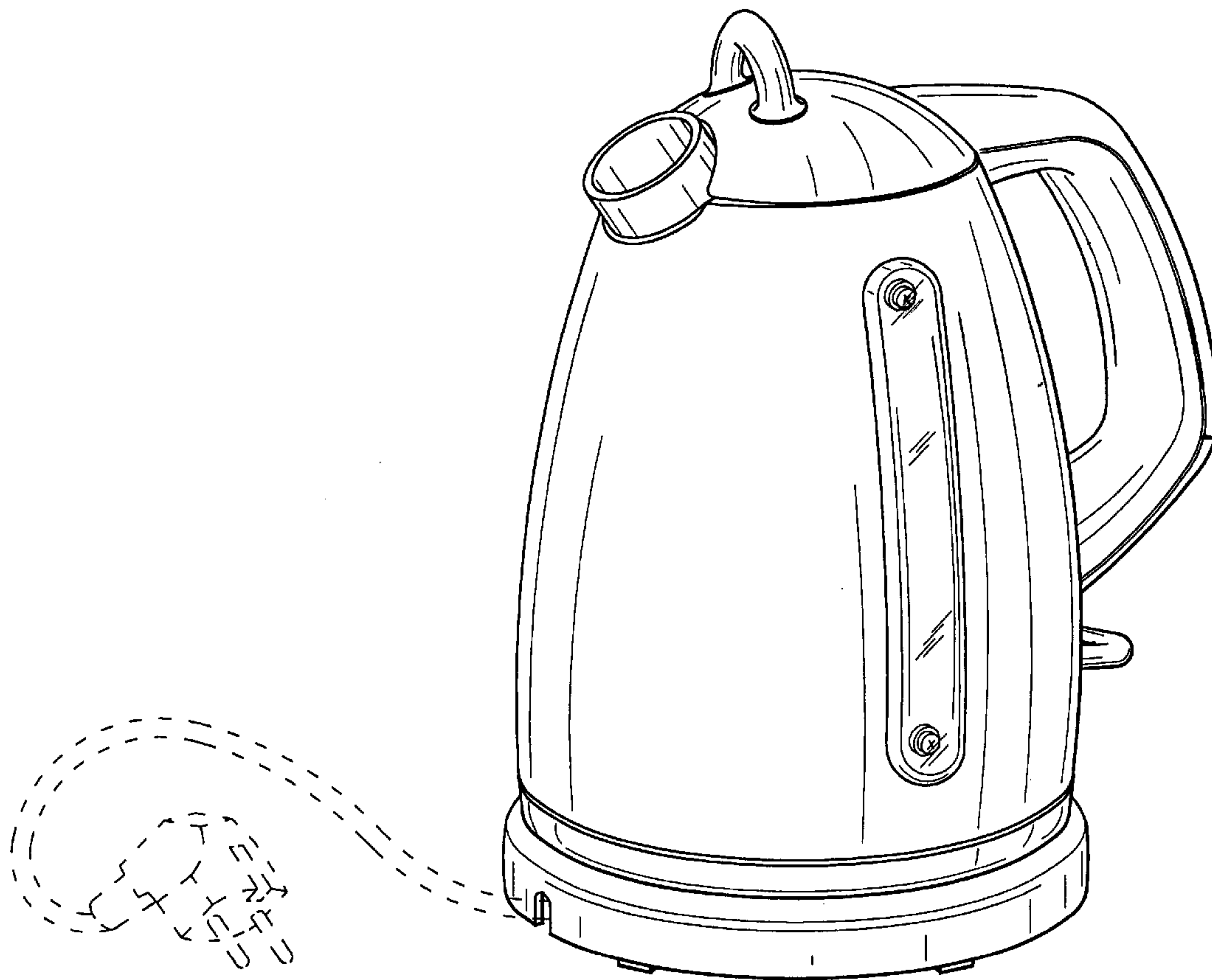


Fig. 1

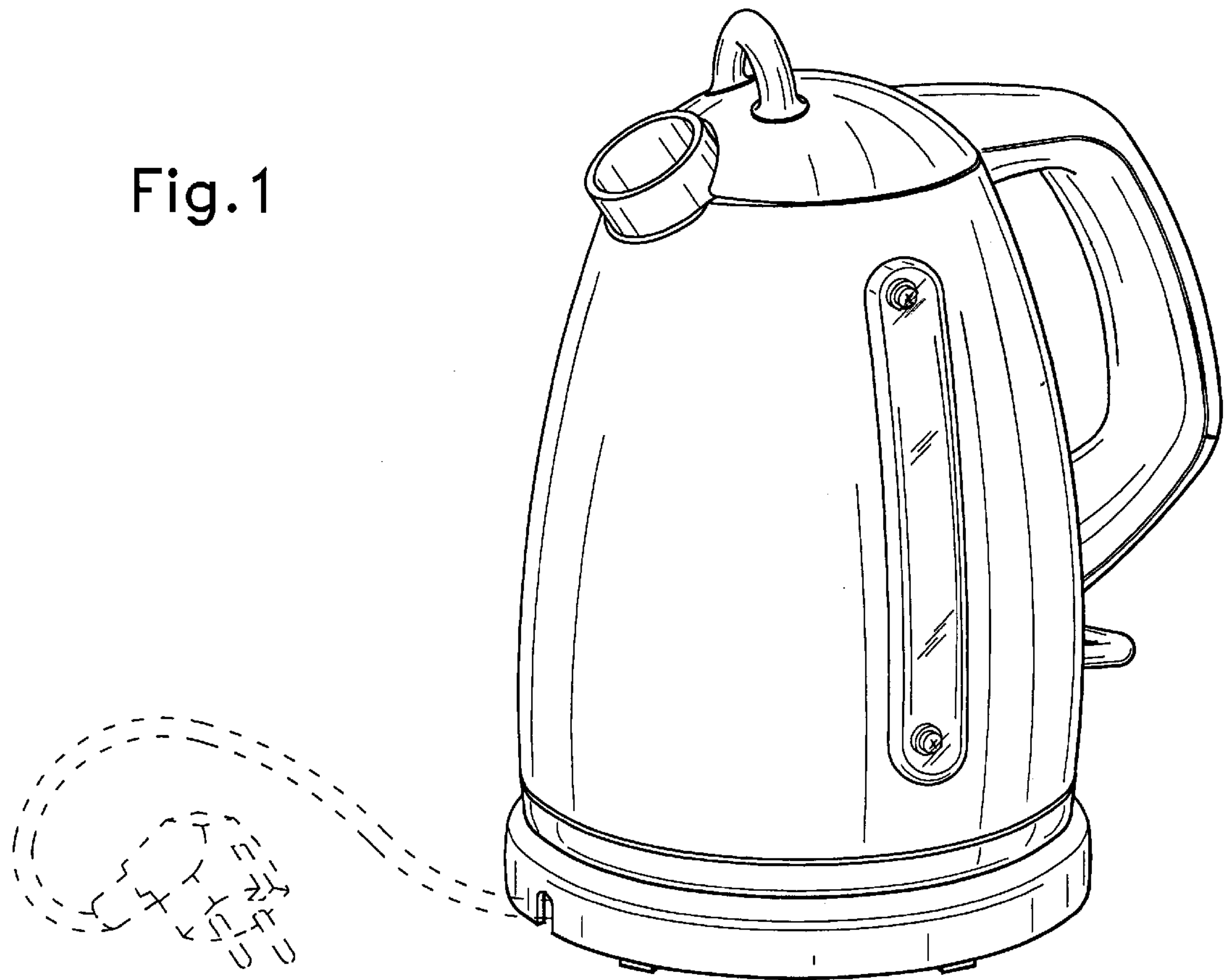


Fig.2

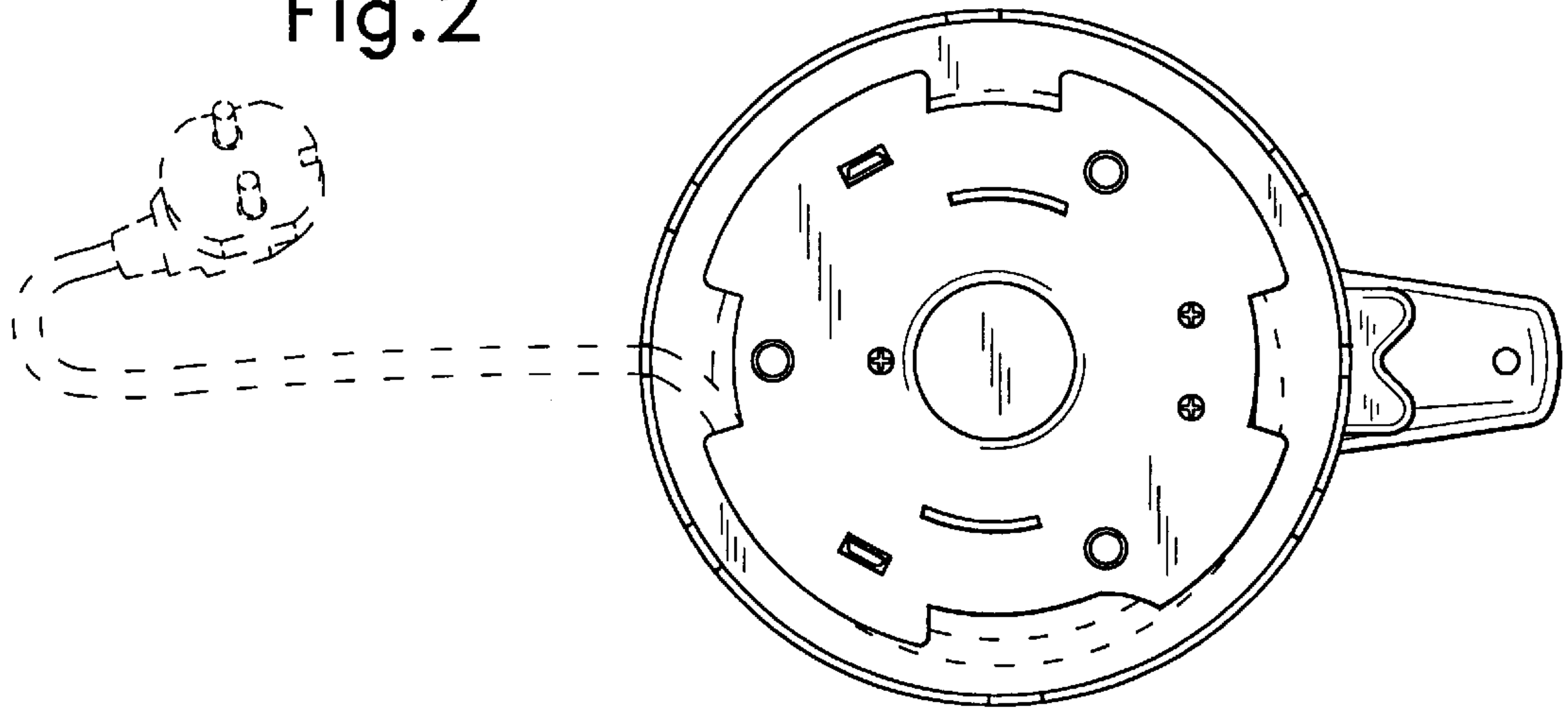
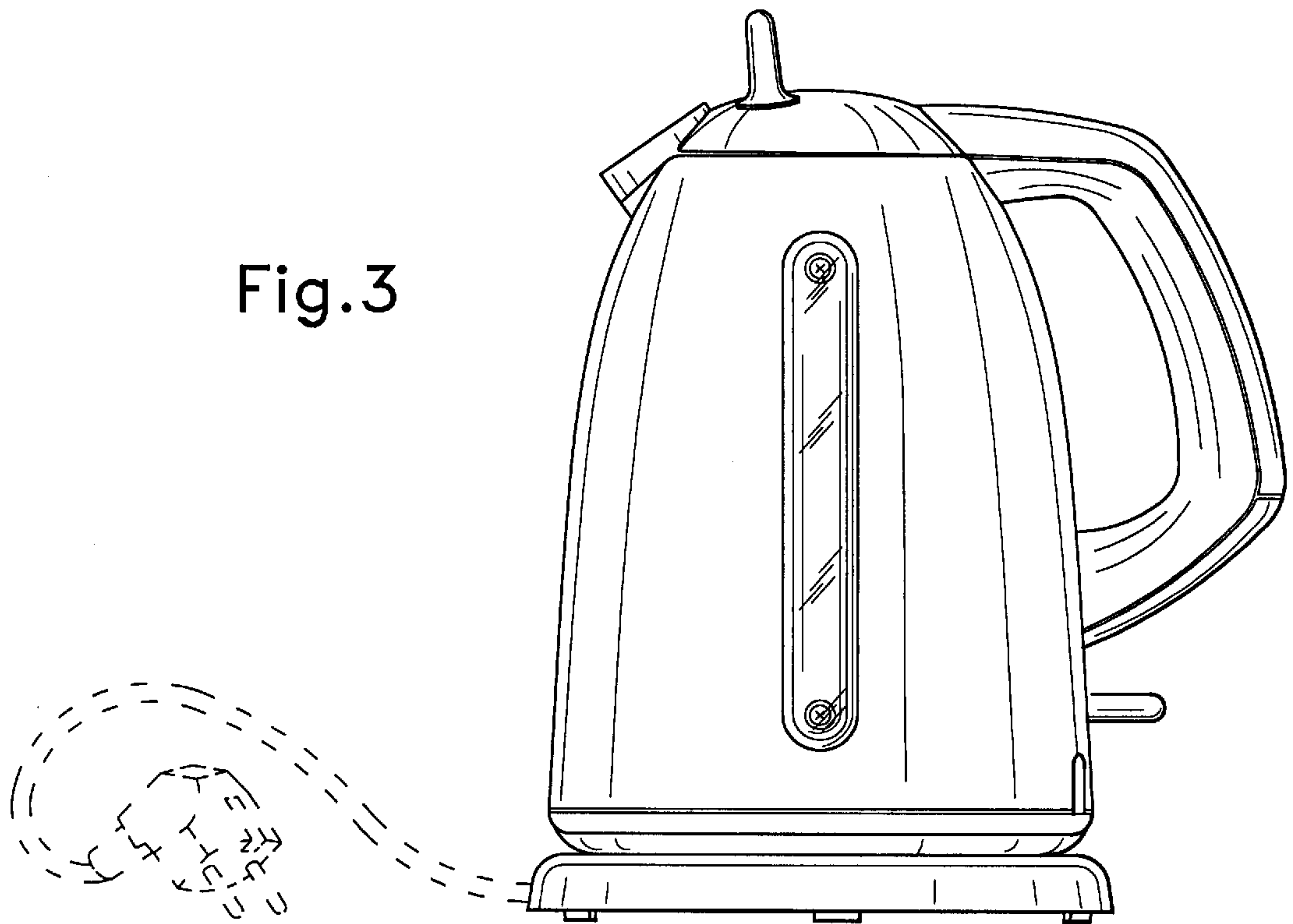


Fig.3



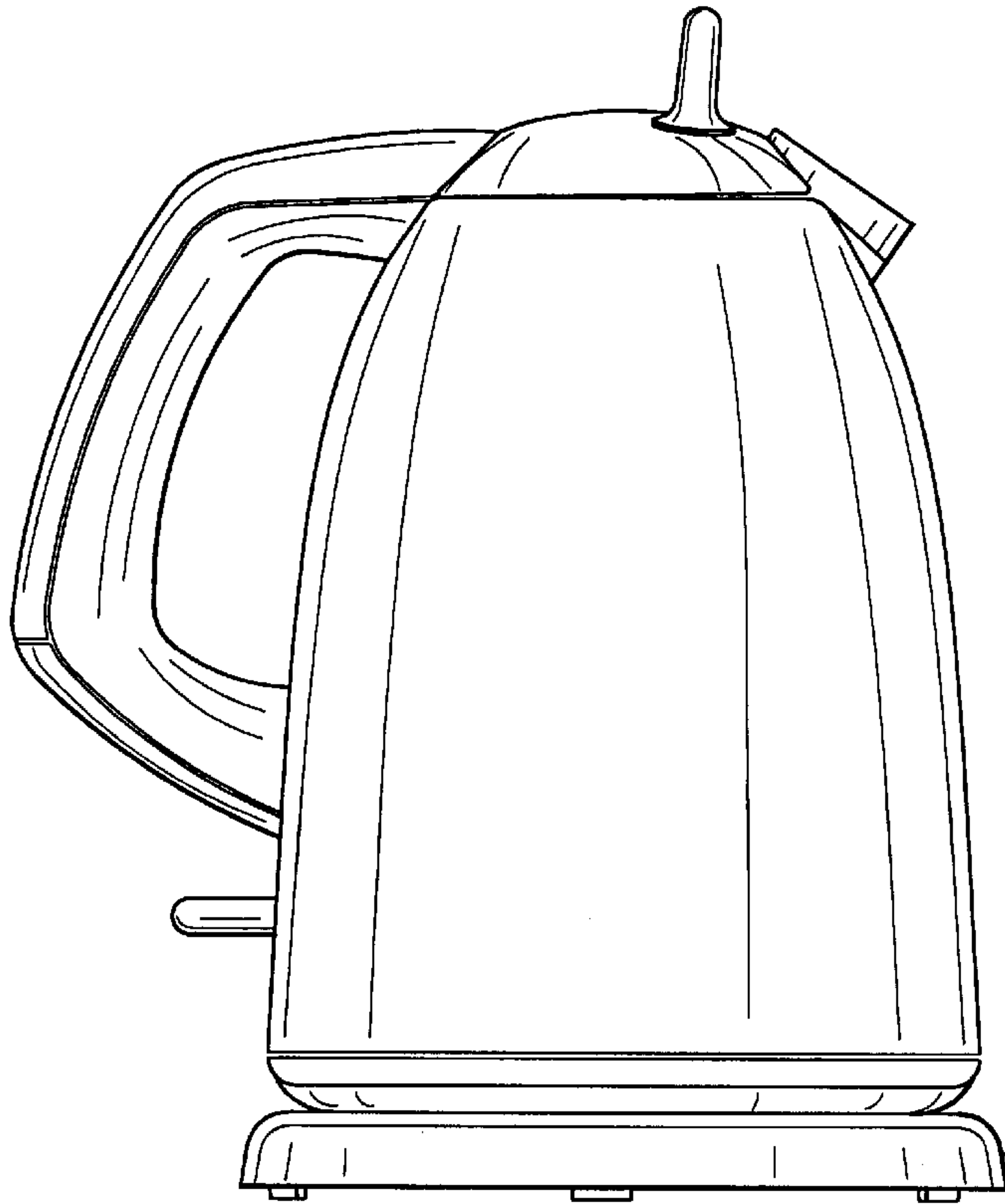


Fig.4

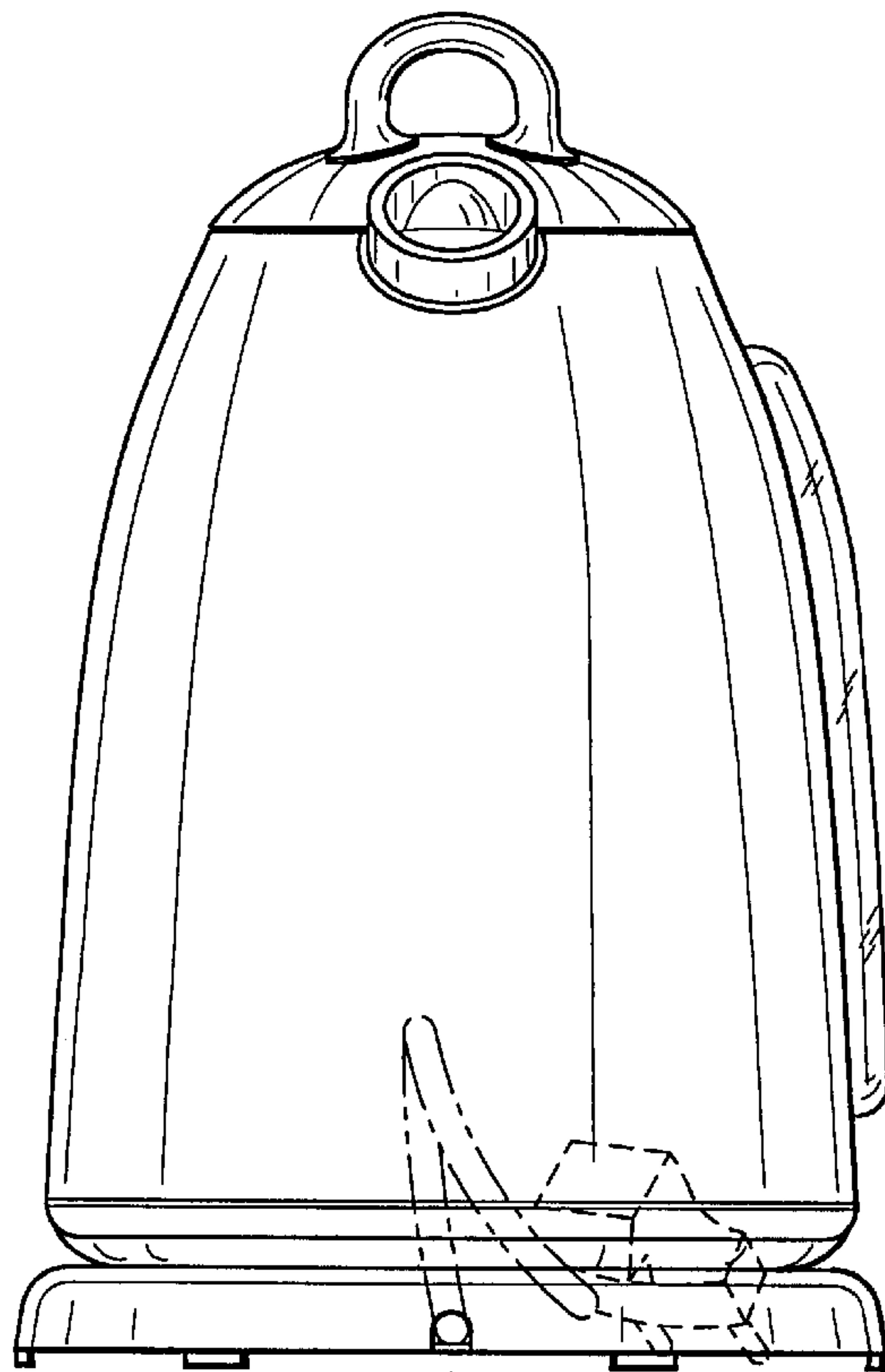


Fig.5

Fig.6

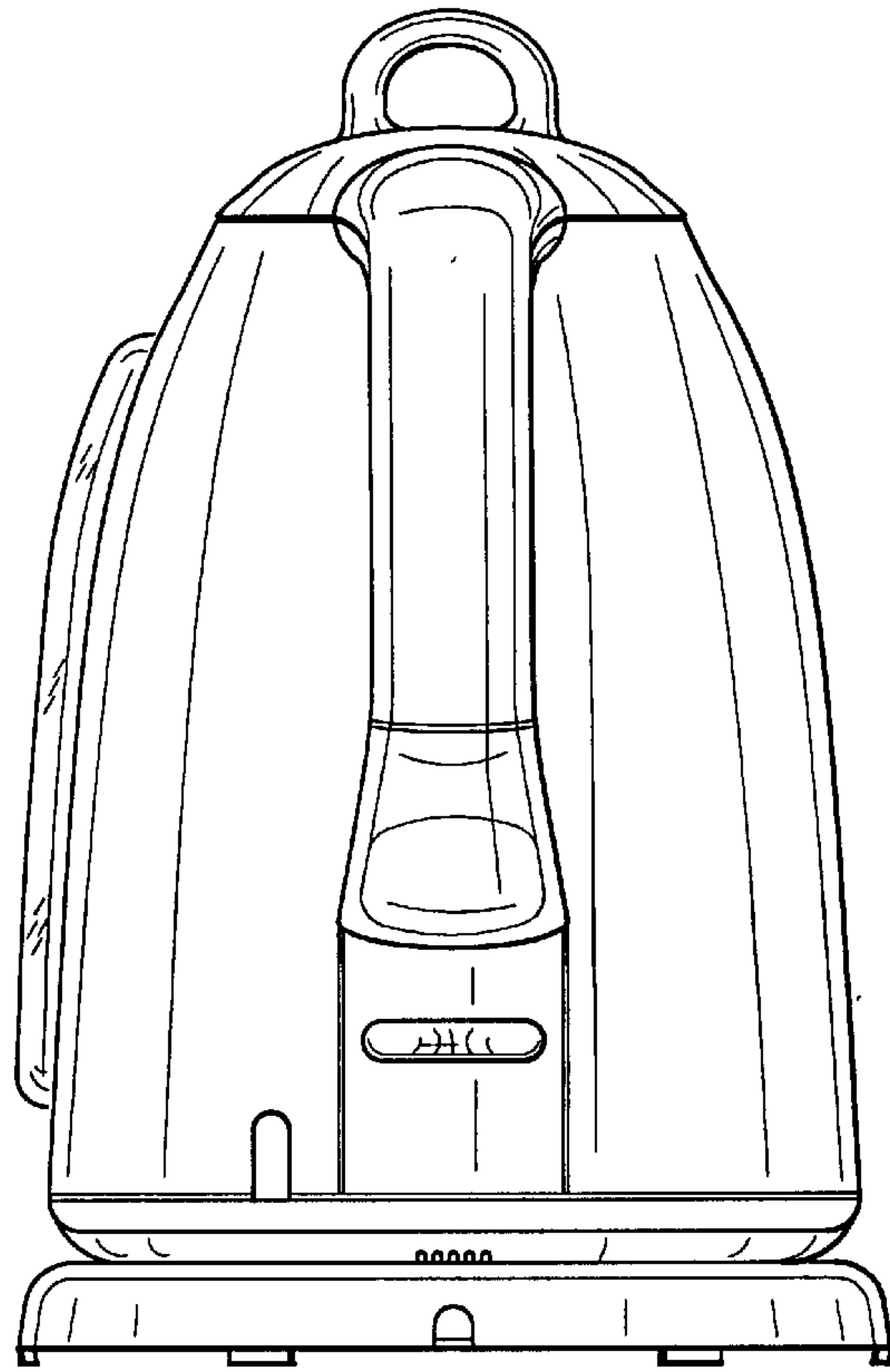


Fig.7

