



US00D399089S

United States Patent [19] Cortese

[11] **Patent Number:** **Des. 399,089**
[45] **Date of Patent:** ****Oct. 6, 1998**

[54] **COFFEE MACHINE**

[75] Inventor: **Virginio Cortese**, Turin, Italy

[73] Assignee: **Essegelle S.R.L.**, Turin, Italy

[**] Term: **14 Years**

[21] Appl. No.: **66,238**

[22] Filed: **Feb. 7, 1997**

[30] **Foreign Application Priority Data**

Aug. 9, 1996 [IT] Italy TO9600176

[51] **LOC (6) Cl.** **07-01**

[52] **U.S. Cl.** **D7/309; D7/311**

[58] **Field of Search** **D7/309, 310, 311, D7/305; 99/304, 306, 275, 286; 222/54**

[56] **References Cited**

U.S. PATENT DOCUMENTS

- D. 269,183 5/1983 Van Asten D7/309
- D. 324,150 2/1992 De Felip D7/309
- D. 336,012 6/1993 Wiley et al. D7/311

- D. 336,206 6/1993 Littmann D7/309
- D. 337,018 7/1993 Groover et al. D7/305
- D. 340,381 10/1993 Mermillod D7/309
- D. 360,802 8/1995 Seiffert D7/309
- D. 380,334 7/1997 Lin D7/309
- D. 385,455 10/1997 Cortese D7/309
- 3,266,670 8/1966 Brooks et al. 222/54

Primary Examiner—M. N. Pandozzi
Attorney, Agent, or Firm—Ladas & Parry

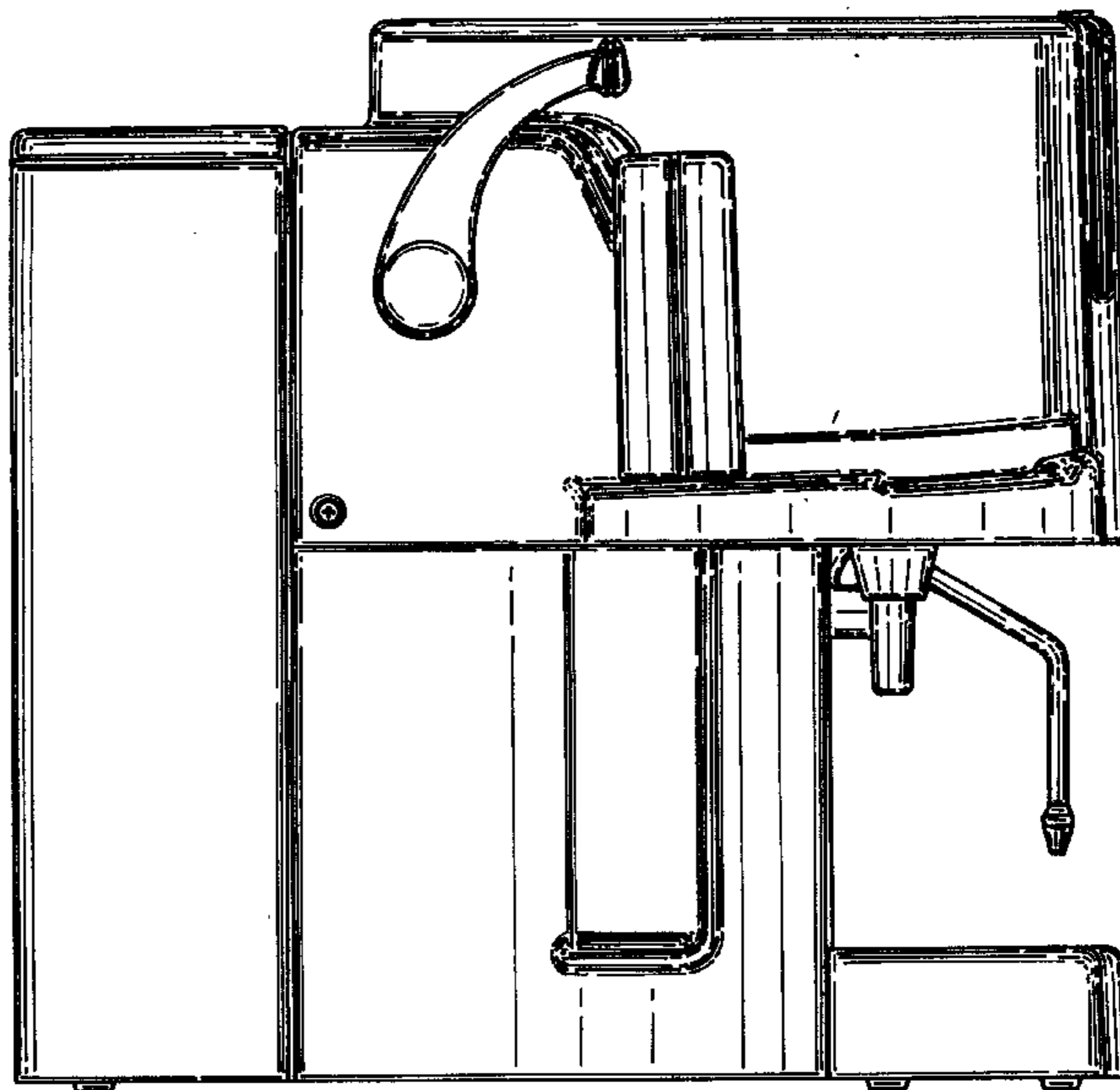
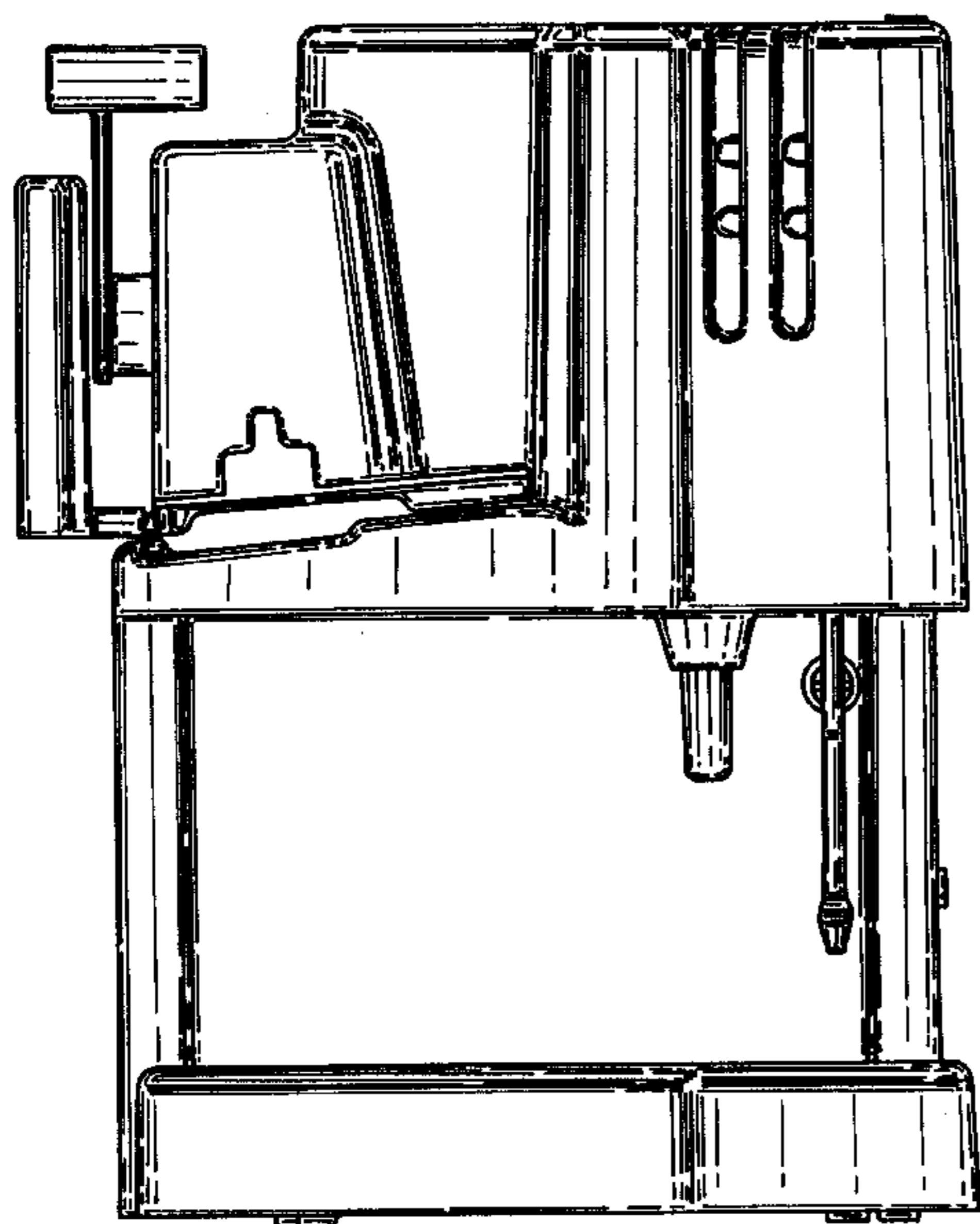
[57] **CLAIM**

The ornamental design for a coffee machine, as shown and described.

DESCRIPTION

FIG. 1 is a front view of my new design relating to a coffee machine;
FIG. 2 is a left side elevational view thereof;
FIG. 3 is a right side elevational view thereof;
FIG. 4 is a rear view thereof;
FIG. 5 is a top plan view thereof; and,
FIG. 6 is a bottom plan view thereof.

1 Claim, 3 Drawing Sheets



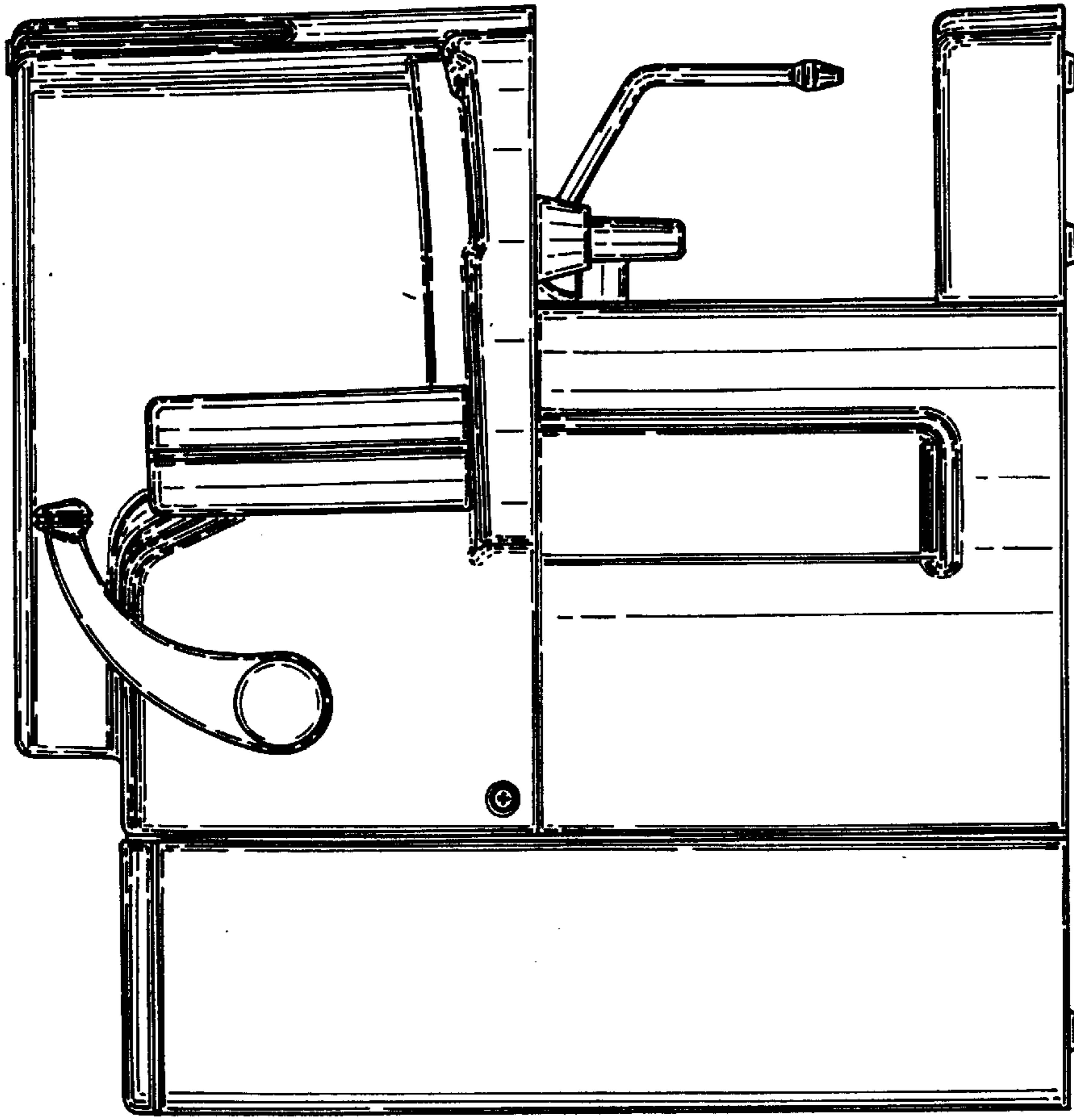


Fig. 2

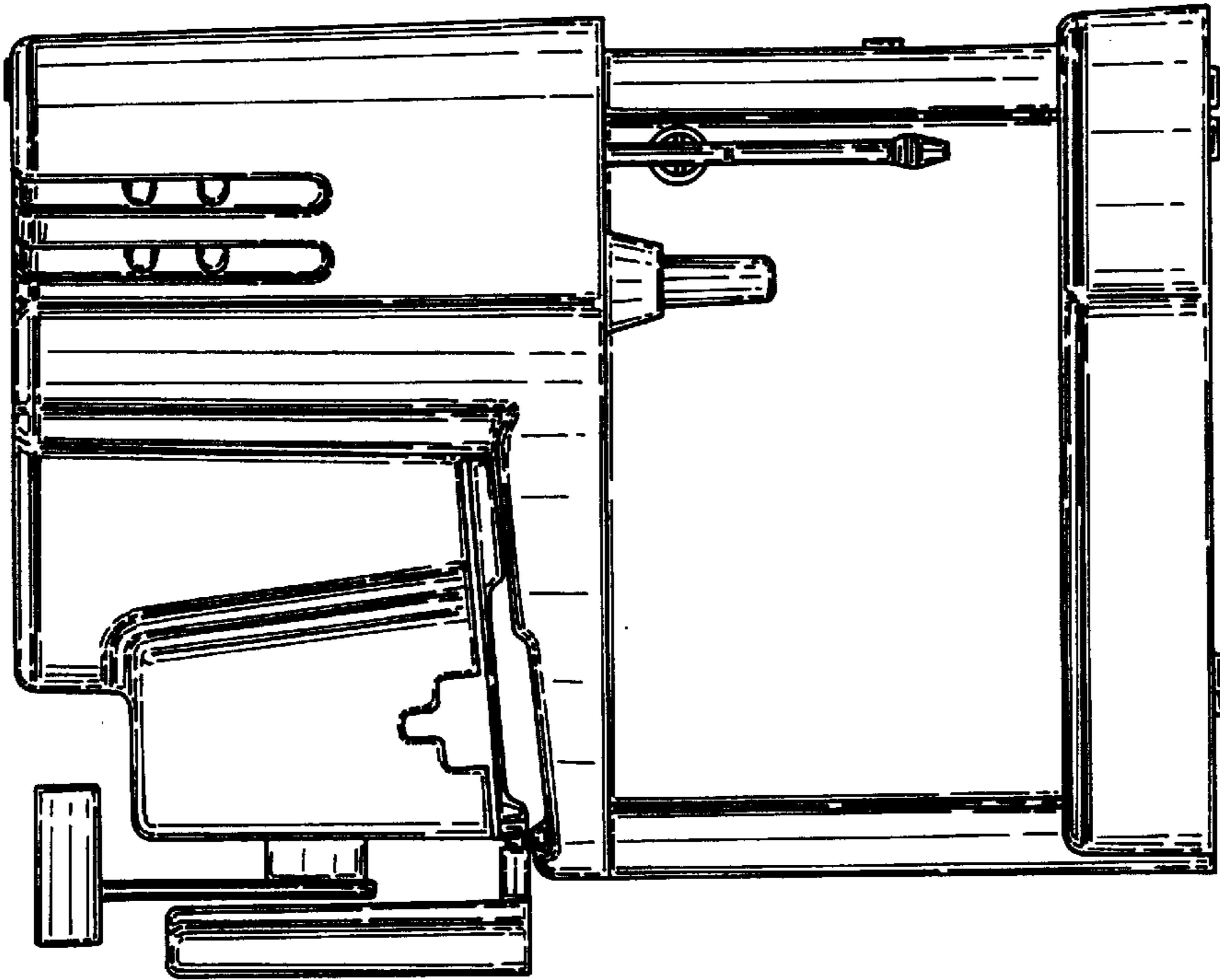


Fig. 1

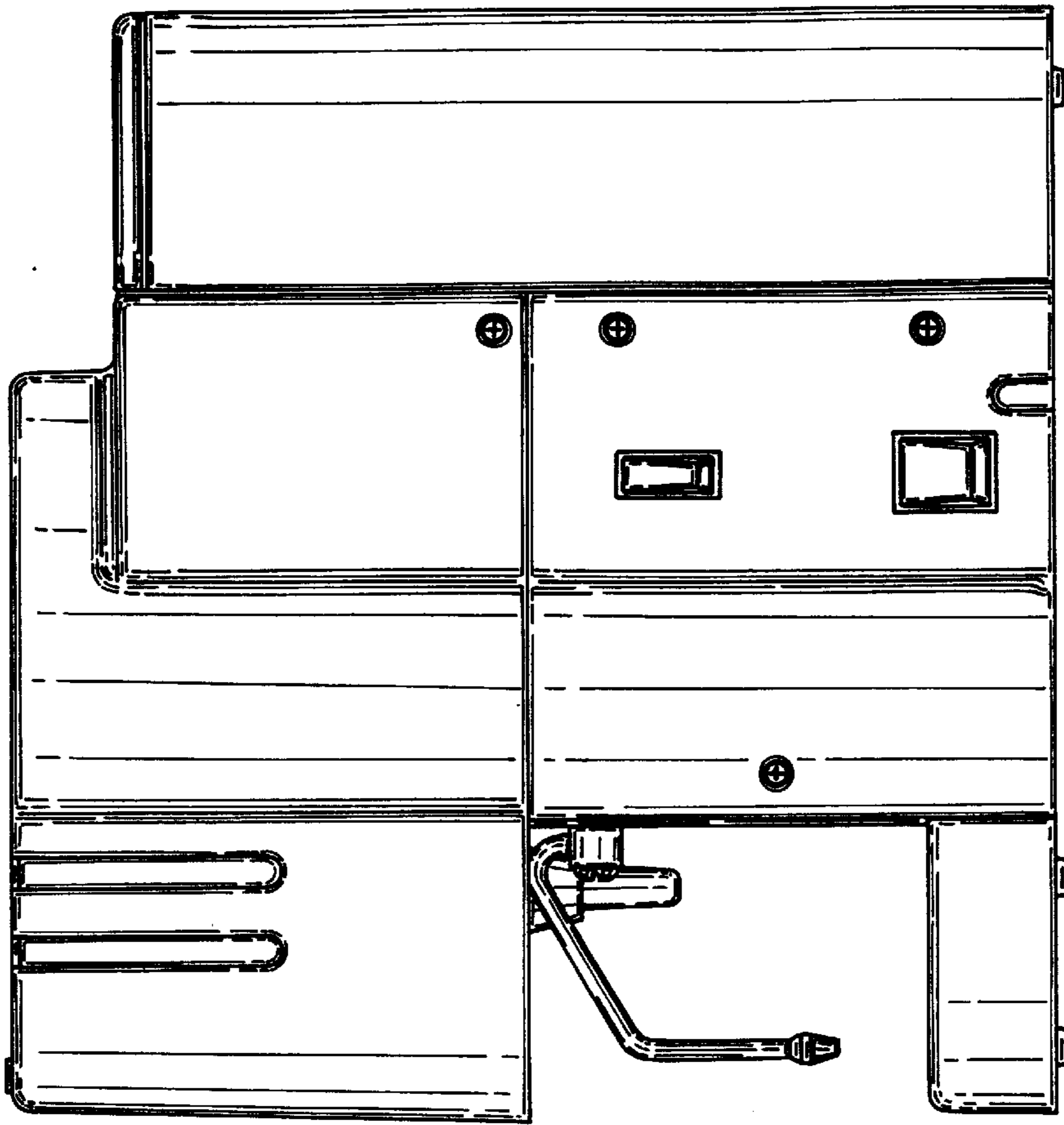


Fig.3

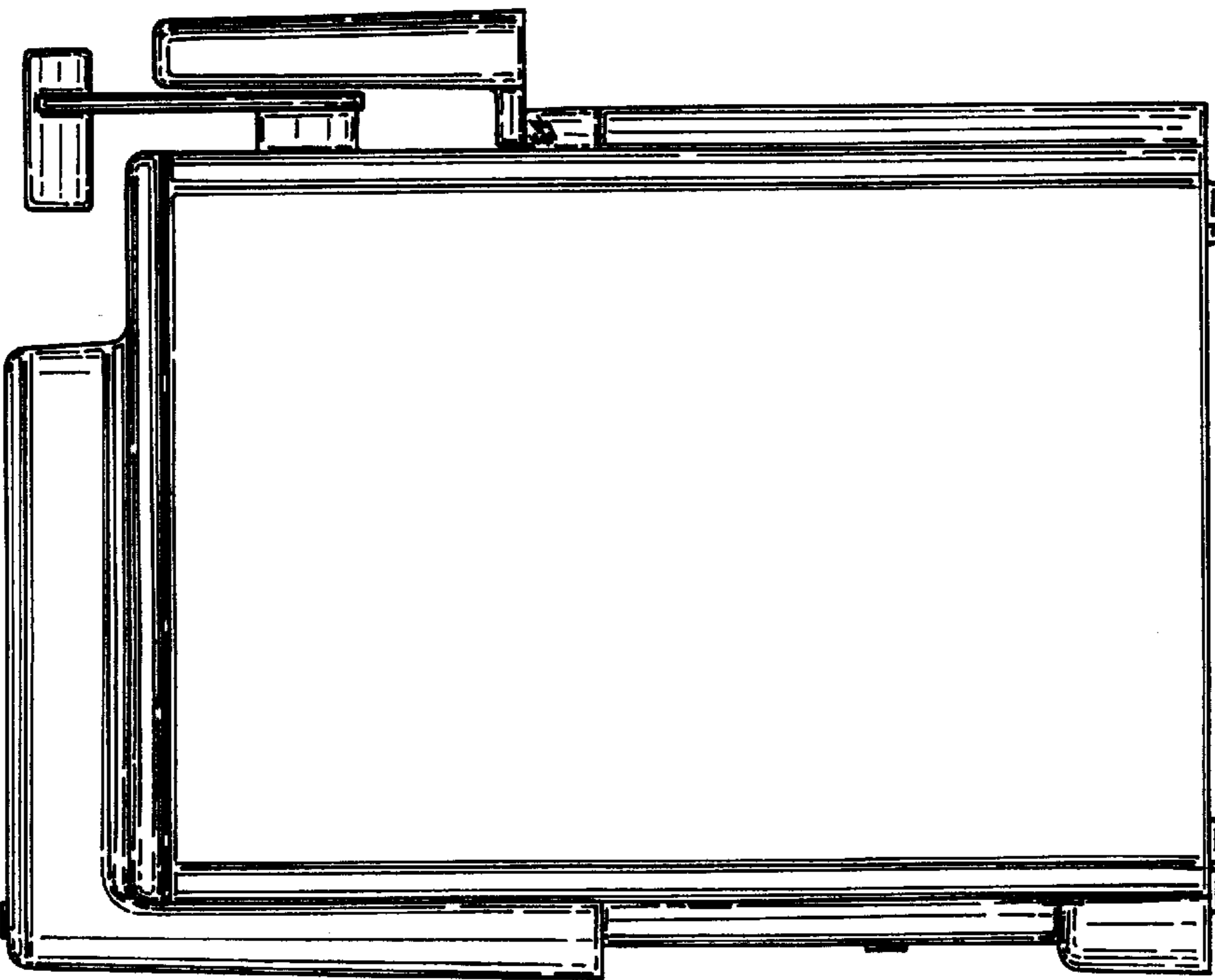


Fig.4

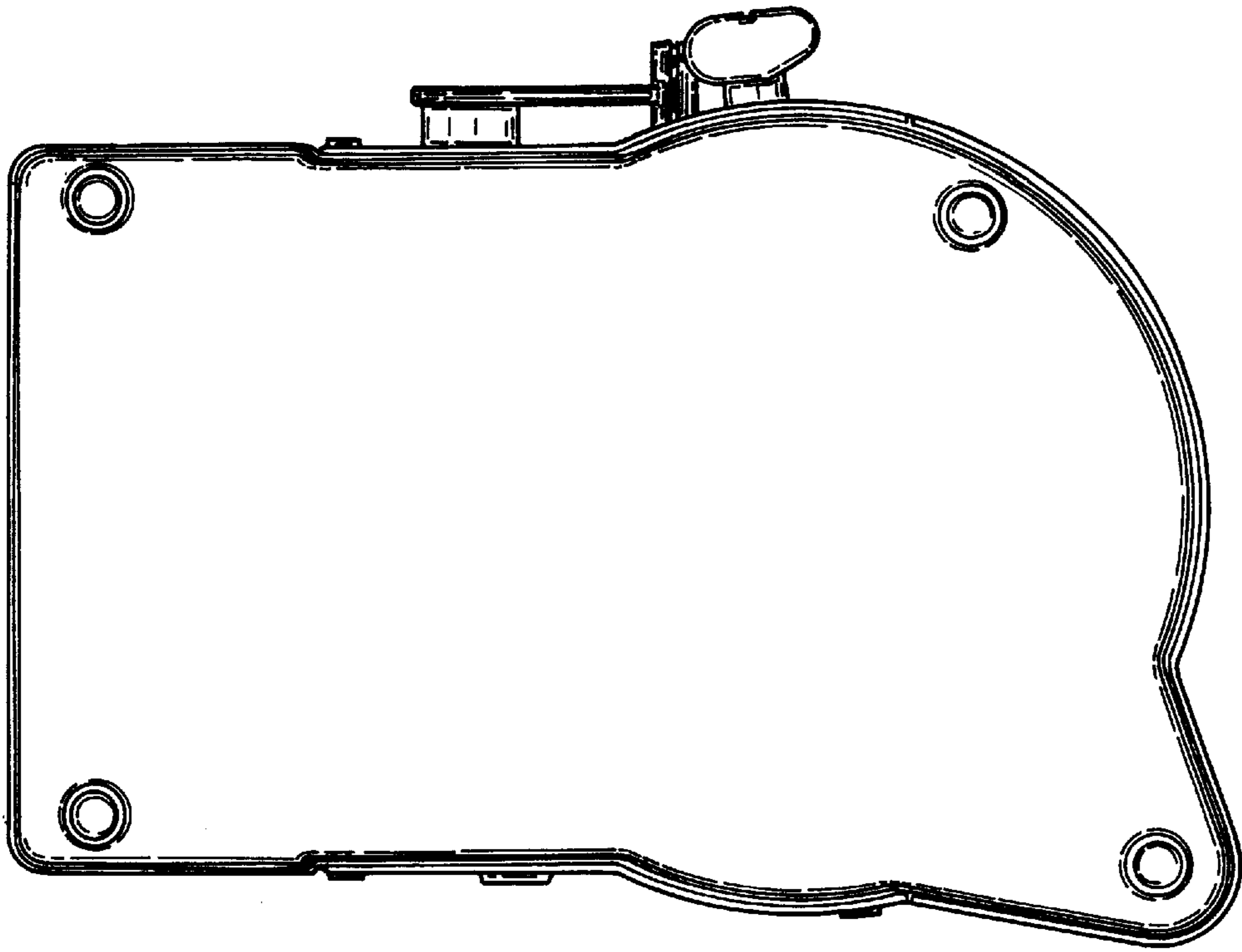


Fig. 6

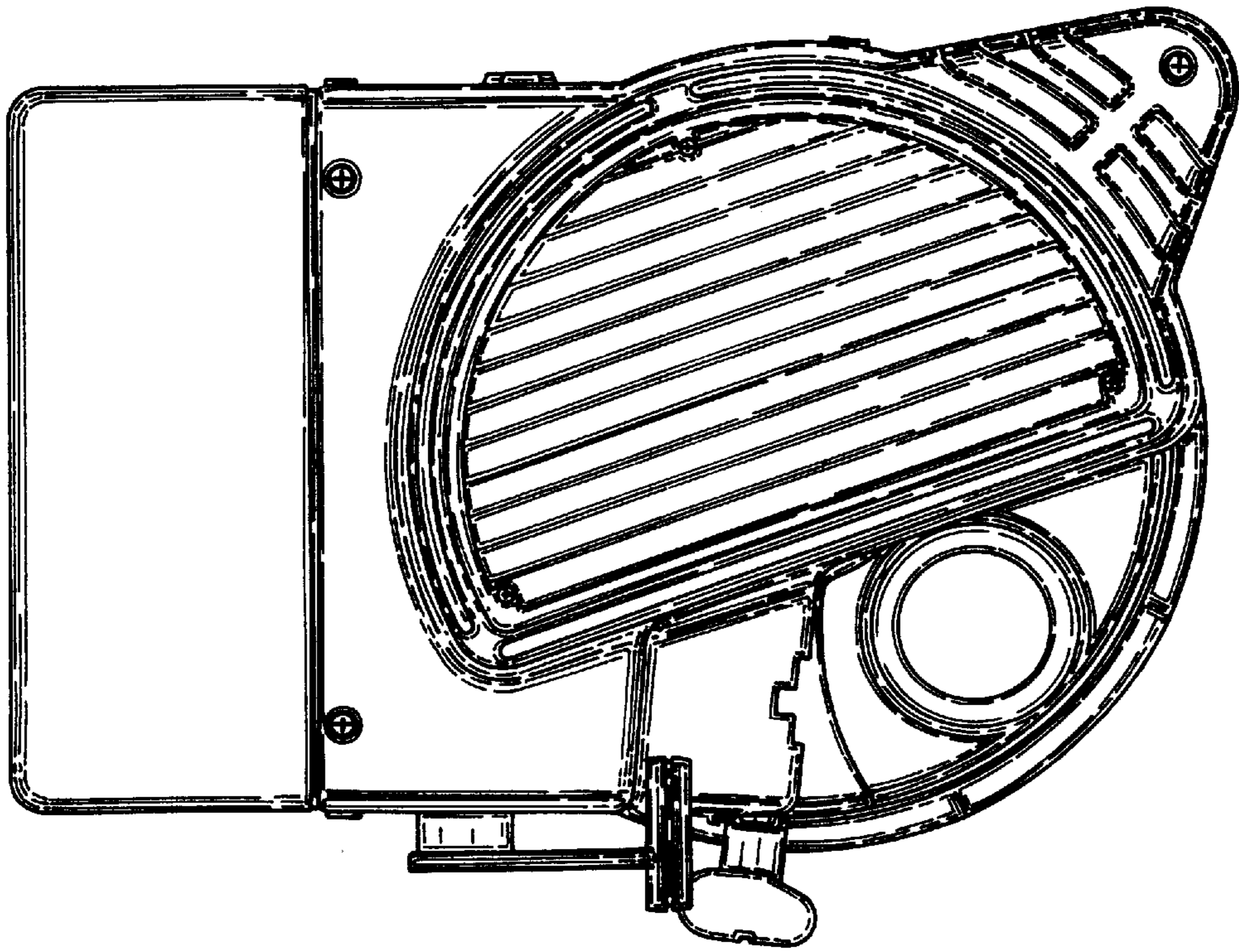


Fig. 5