



US00D399085S

United States Patent [19]
Warshawsky

[11] **Patent Number: Des. 399,085**

[45] **Date of Patent: **Oct. 6, 1998**

[54] **SOAP/LOTION DISPENSER**

D. 383,025 9/1997 Warshawsky D6/542
D. 385,138 10/1997 Warshawsky D6/542

[75] Inventor: **Jerome Warshawsky**, Hewlett Harbor, N.Y.

Primary Examiner—Brian N. Vinson
Attorney, Agent, or Firm—Alfred M. Walker

[73] Assignee: **I.W. Industries, Inc.**, Melville, N.Y.

[57] **CLAIM**

[**] Term: **14 Years**

The ornamental design for a soap/lotion dispenser, as shown and described.

[21] Appl. No.: **75,134**

DESCRIPTION

[22] Filed: **Aug. 11, 1997**

FIG. 1 is a perspective view of a soap/lotion dispenser, showing my new design;
FIG. 2 is a front elevational view thereof;
FIG. 3 is a rear view thereof;
FIG. 4 is a right side elevational view thereof, the left side being a mirror image thereof;
FIG. 5 is a top plan view thereof; and,
FIG. 6 is a bottom view thereof.

[51] **LOC (6) Cl.** **07-07**

[52] **U.S. Cl.** **D6/545**

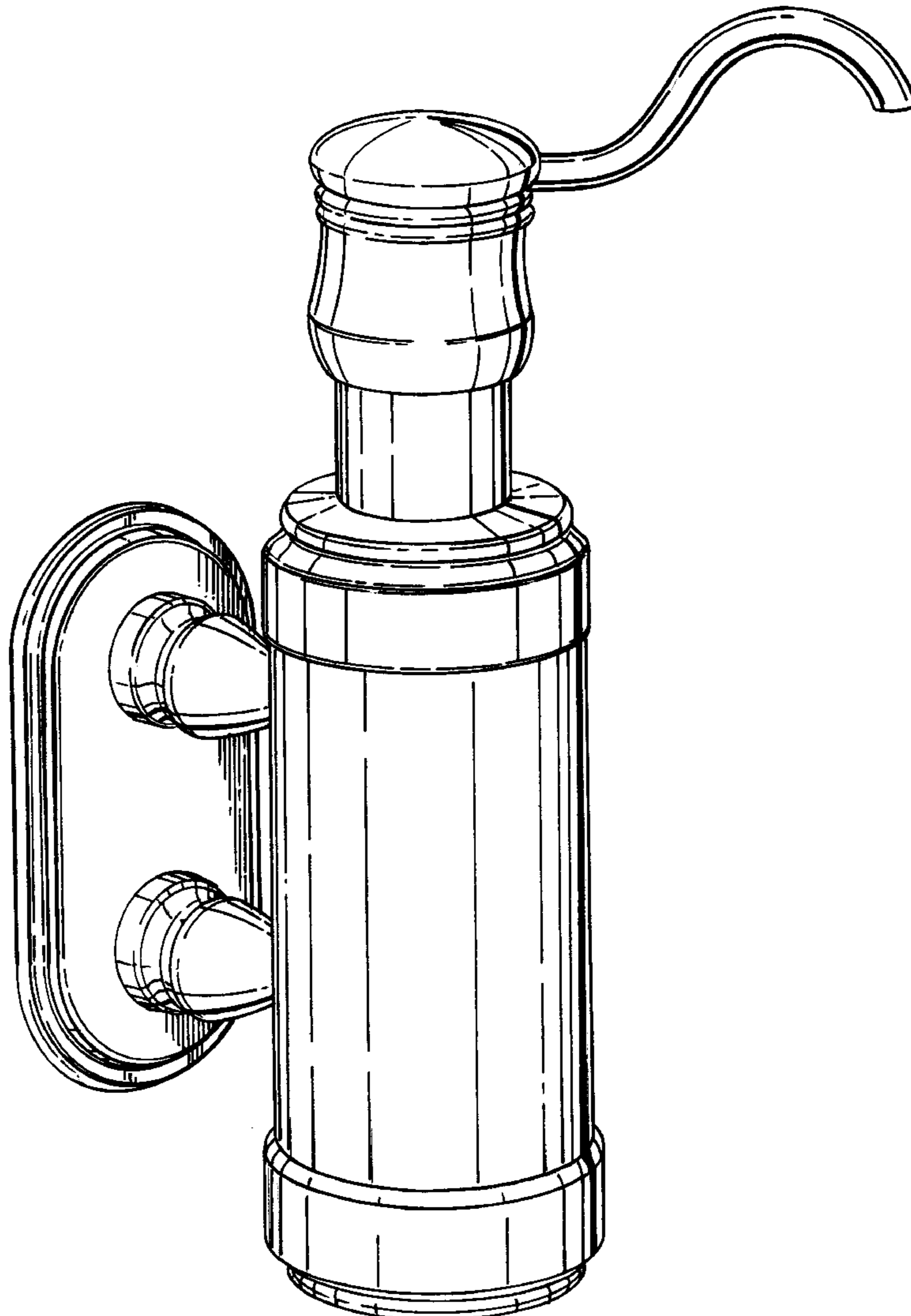
[58] **Field of Search** D6/542-545; 222/153 U, 222/181.1, 204, 209, 383.1, 384

[56] **References Cited**

U.S. PATENT DOCUMENTS

D. 073,185 8/1927 Levernier D6/542

1 Claim, 4 Drawing Sheets



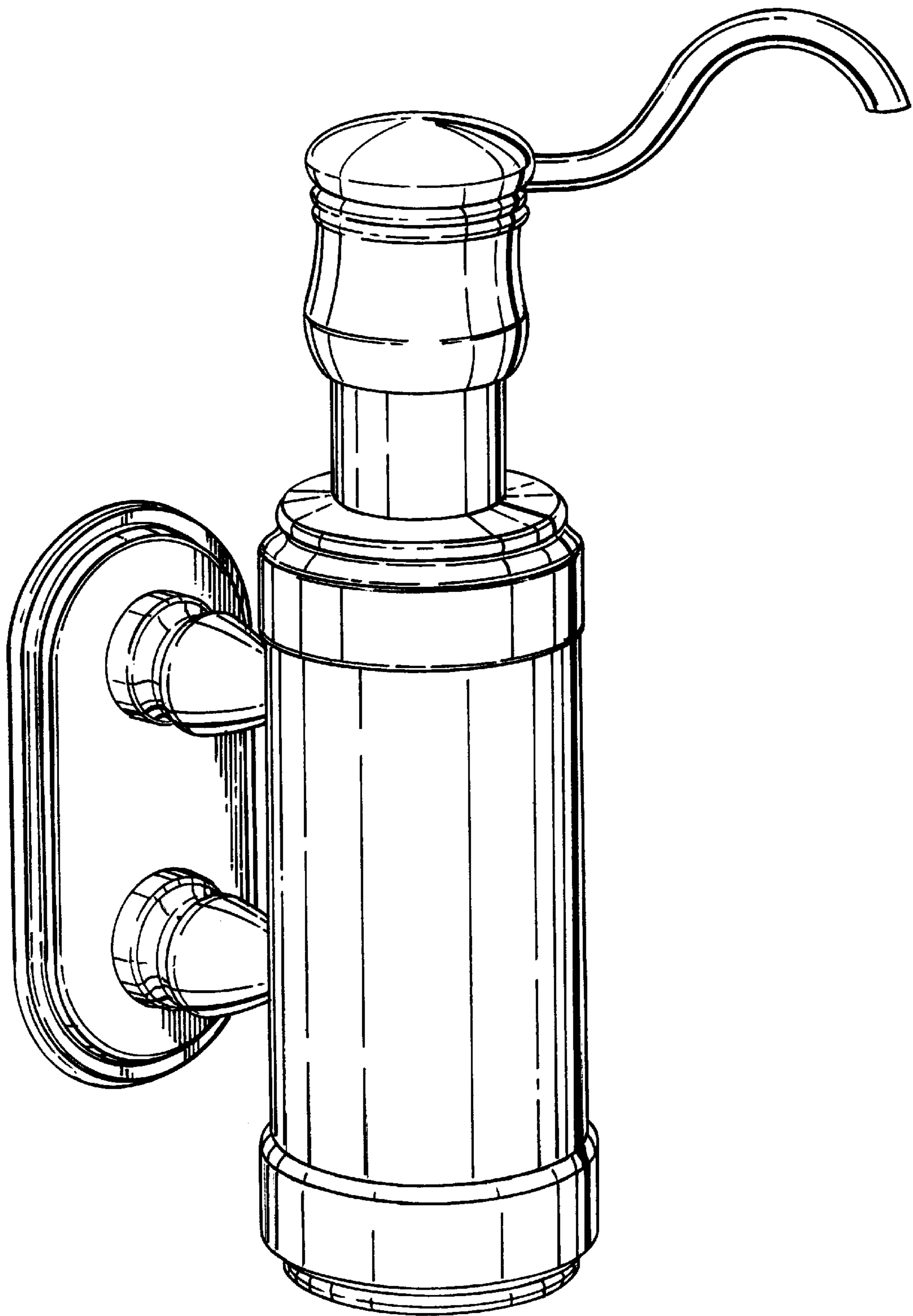


Fig. 1

Fig. 2

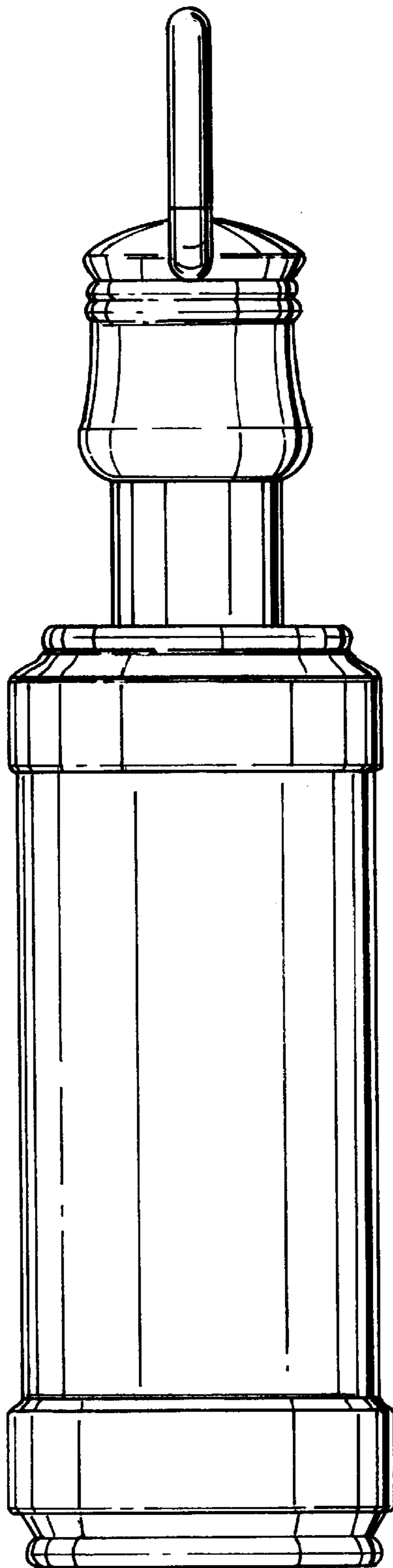


Fig. 3

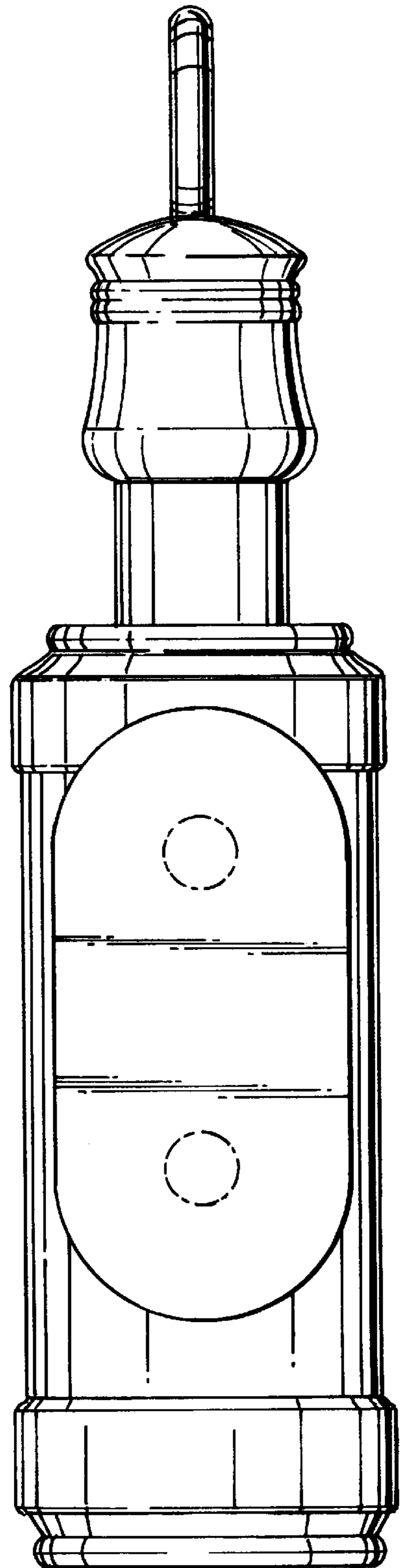


Fig. 4

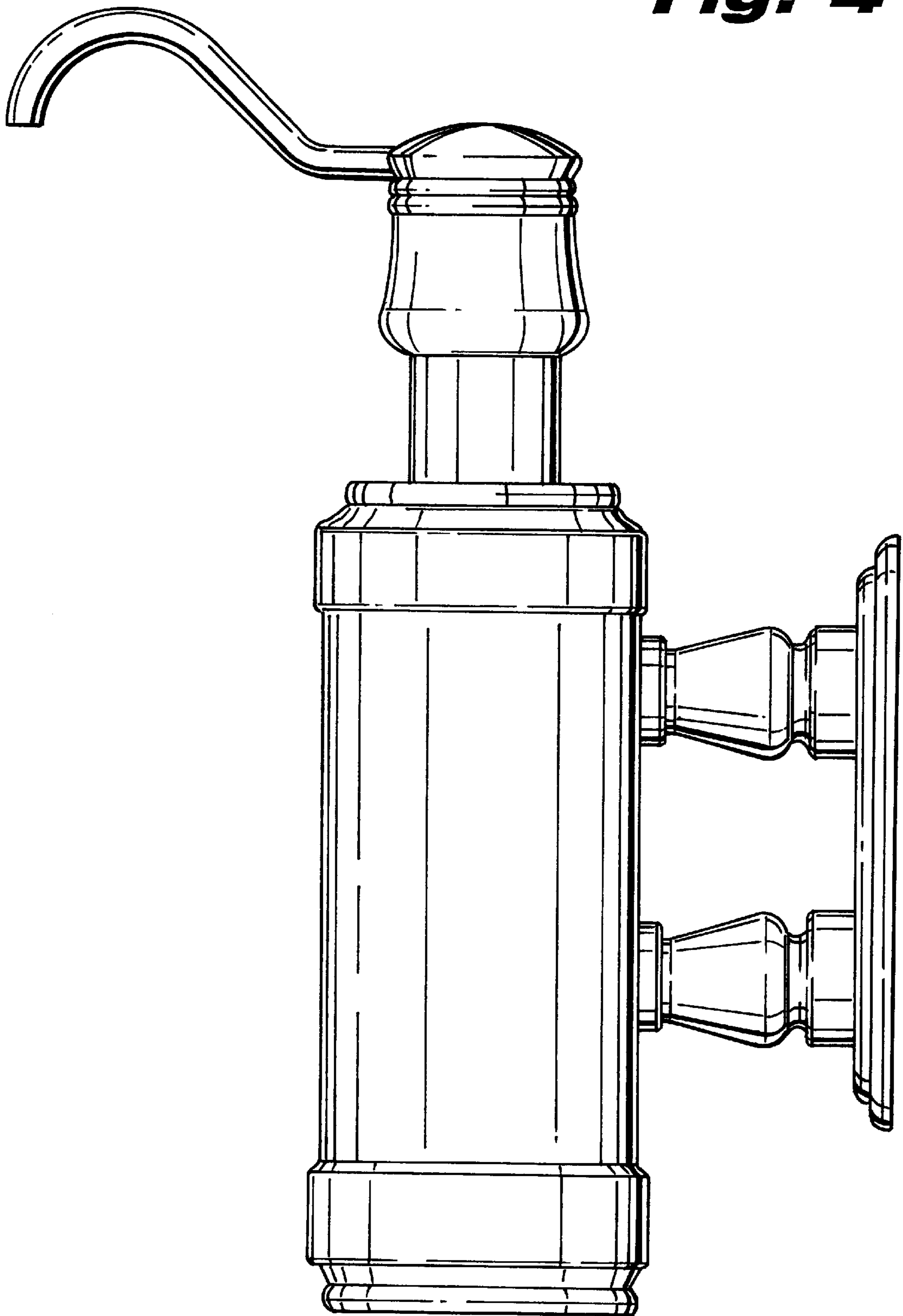


Fig. 5

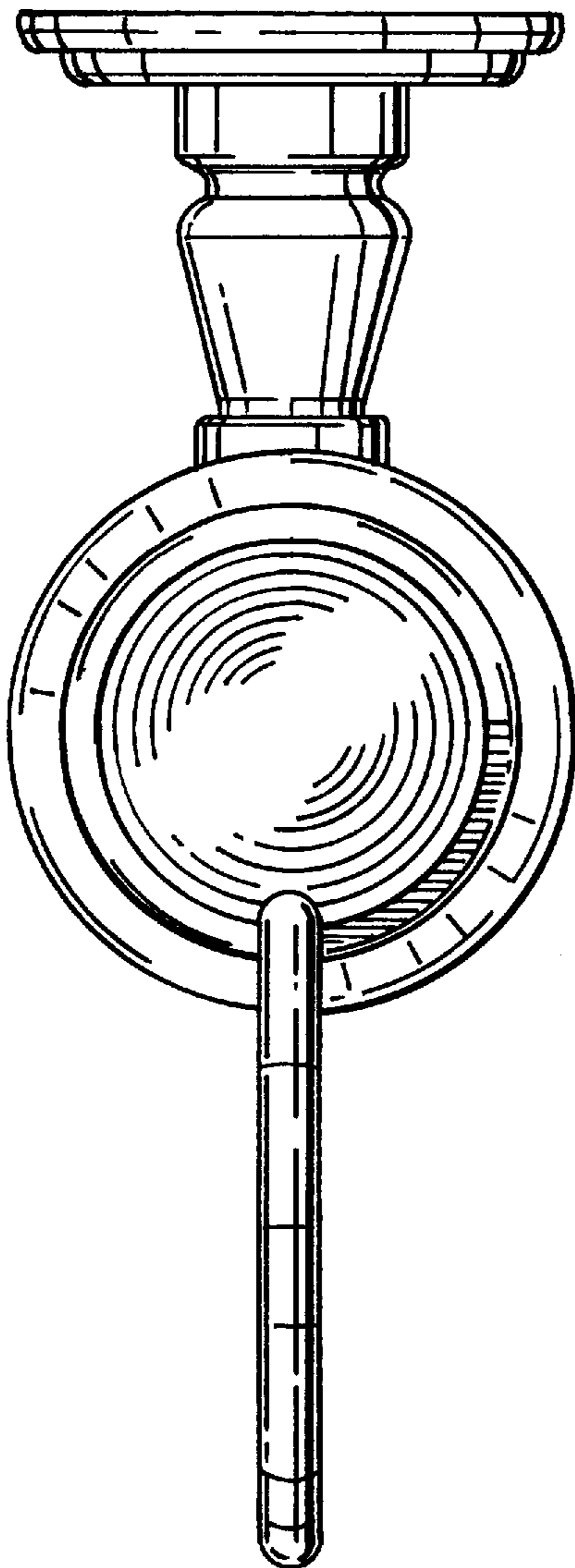


Fig. 6

