



US00D399084S

# United States Patent [19] Tramontina

[11] **Patent Number: Des. 399,084**

[45] **Date of Patent: \*\*Oct. 6, 1998**

[54] **ROLL TOWEL DISPENSER**

[75] Inventor: **Paul F. Tramontina**, Alpharetta, Ga.

[73] Assignee: **Kimberly-Clark Worldwide, Inc.**,  
Neenah, Wis.

[\*\*] Term: **14 Years**

[21] Appl. No.: **78,523**

[22] Filed: **Oct. 29, 1997**

[51] **LOC (6) Cl. .... 07-07**

[52] **U.S. Cl. .... D6/522**

[58] **Field of Search** ..... D6/518, 523; 242/570,  
242/590; 312/34.8, 34.22, 34.1

[56] **References Cited**

**U.S. PATENT DOCUMENTS**

D. 341,970	12/1993	Brandenburg	.....	D6/518
D. 345,664	4/1994	Brandenburg	.....	D6/545
D. 348,579	7/1994	Brandenburg	.....	D6/523
D. 349,827	8/1994	Brandenburg	.....	D6/545

D. 354,871	1/1995	Frazier et al.	.....	D6/522
D. 359,868	7/1995	Brandenburg et al.	.....	D6/545
D. 365,713	1/1996	Chen	.....	D6/522
D. 386,922	12/1997	Sedlock	.....	D6/522

*Primary Examiner*—Brian N. Vinson  
*Attorney, Agent, or Firm*—Karl V. Sidor

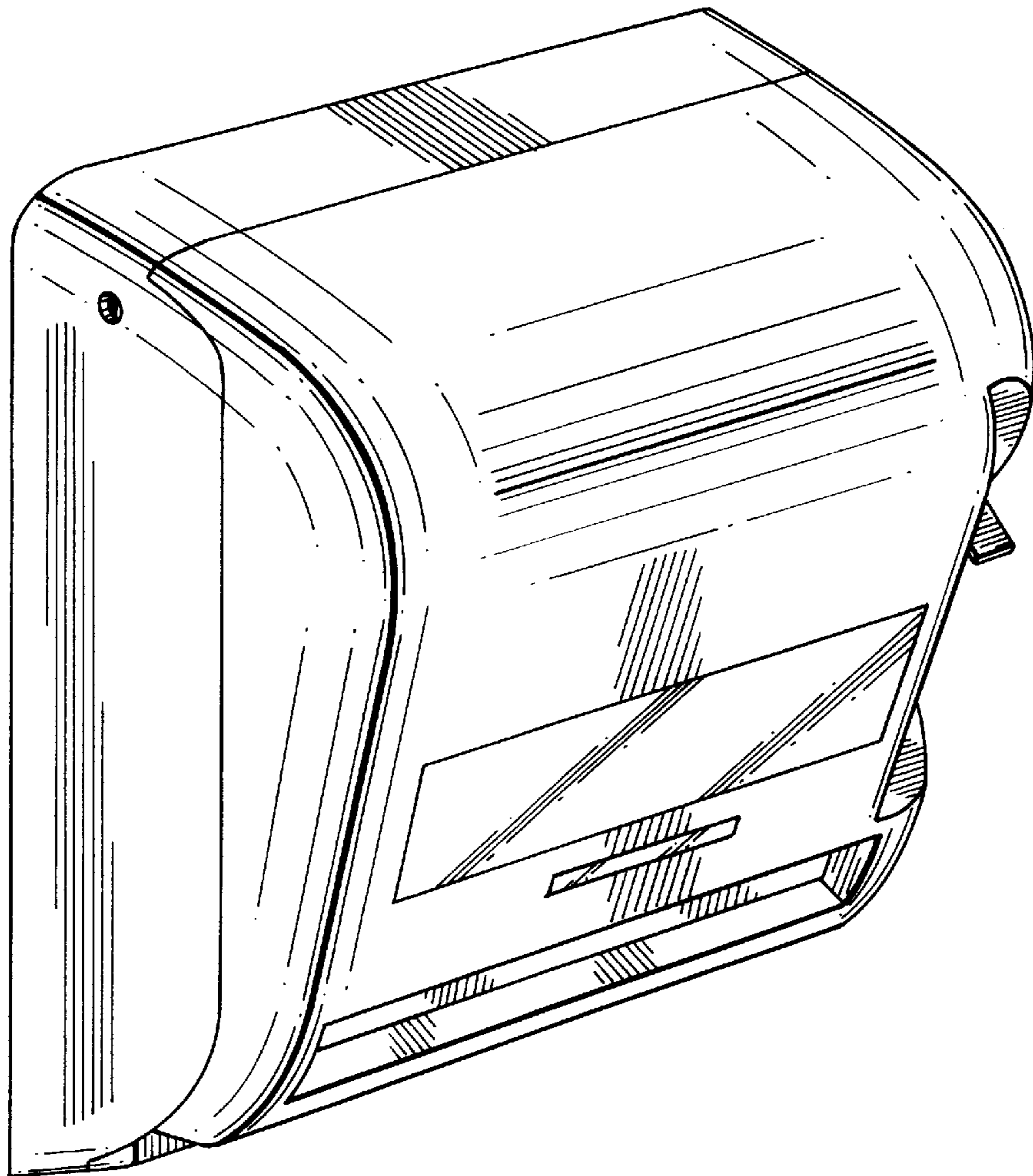
[57] **CLAIM**

I claim the ornamental design for the roll towel dispenser, as shown and described.

**DESCRIPTION**

FIG. 1 is a right front perspective view of the roll towel dispenser showing my new design; FIG. 2 is a front elevation thereof; FIG. 3 is a rear elevation thereof; FIG. 4 is a top plan view thereof; FIG. 5 is a bottom plan view thereof; FIG. 6 is a right side elevation thereof; and, FIG. 7 is a left side elevation thereof.

**1 Claim, 7 Drawing Sheets**



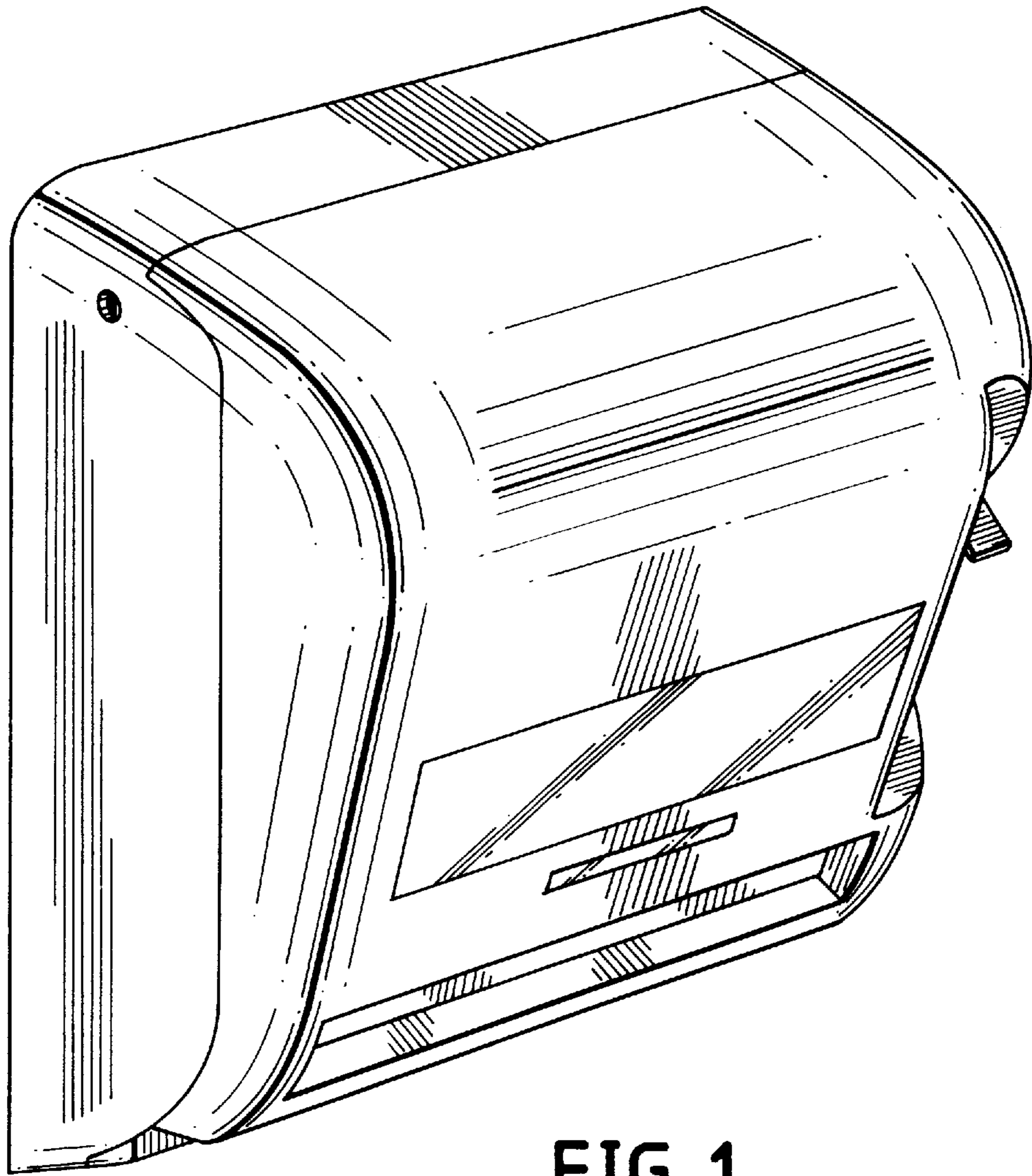


FIG. 1

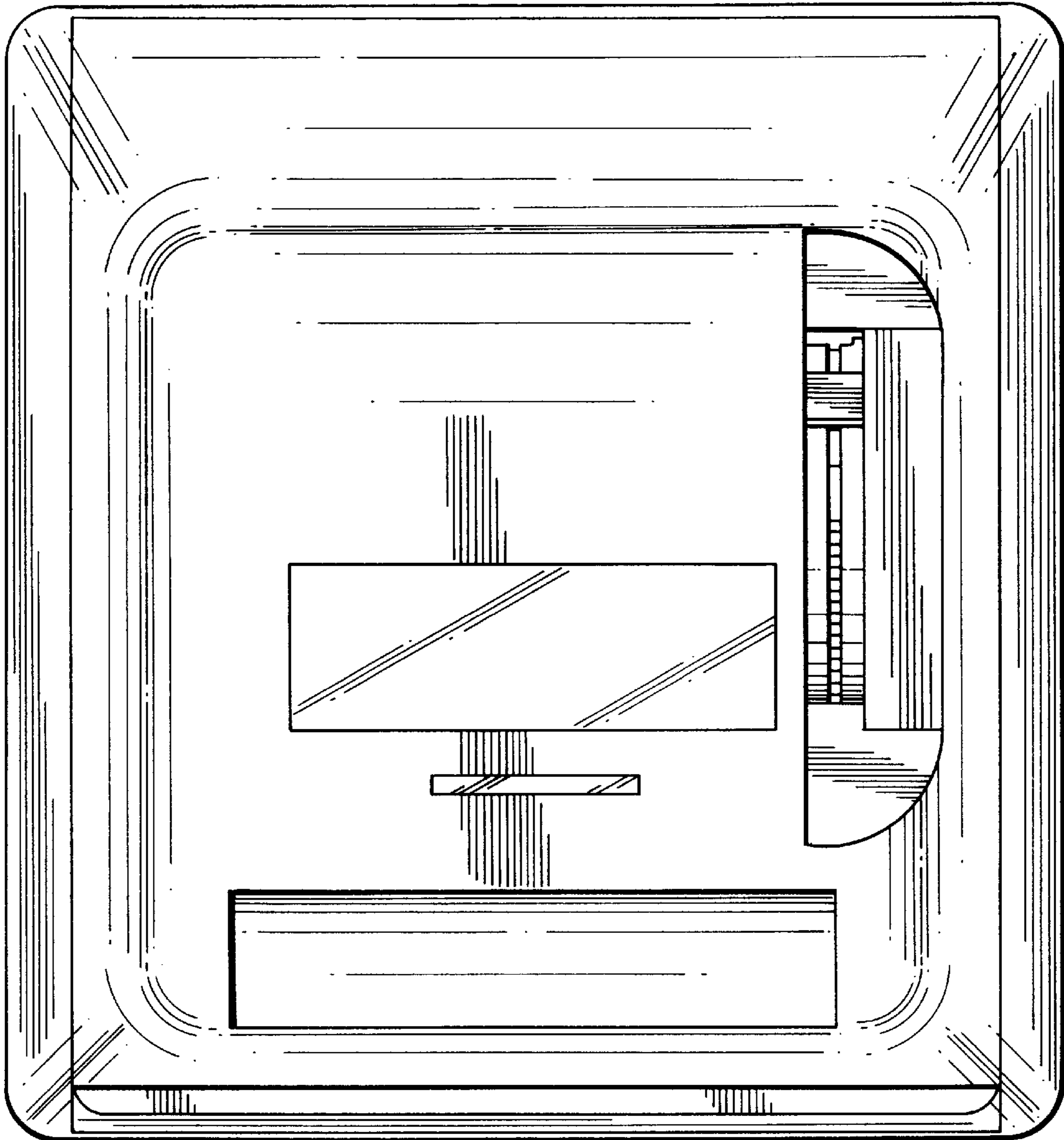


FIG. 2

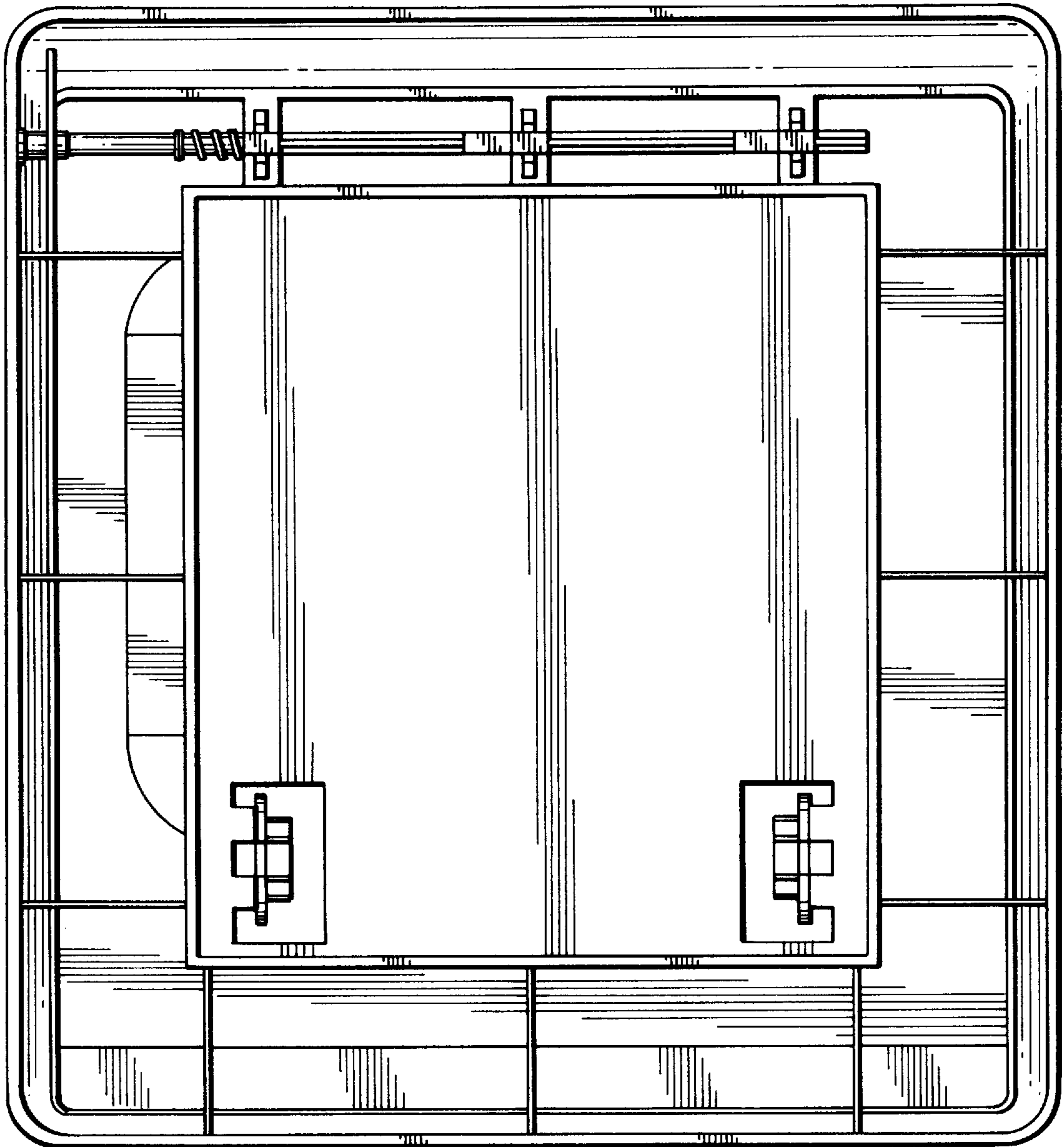


FIG. 3

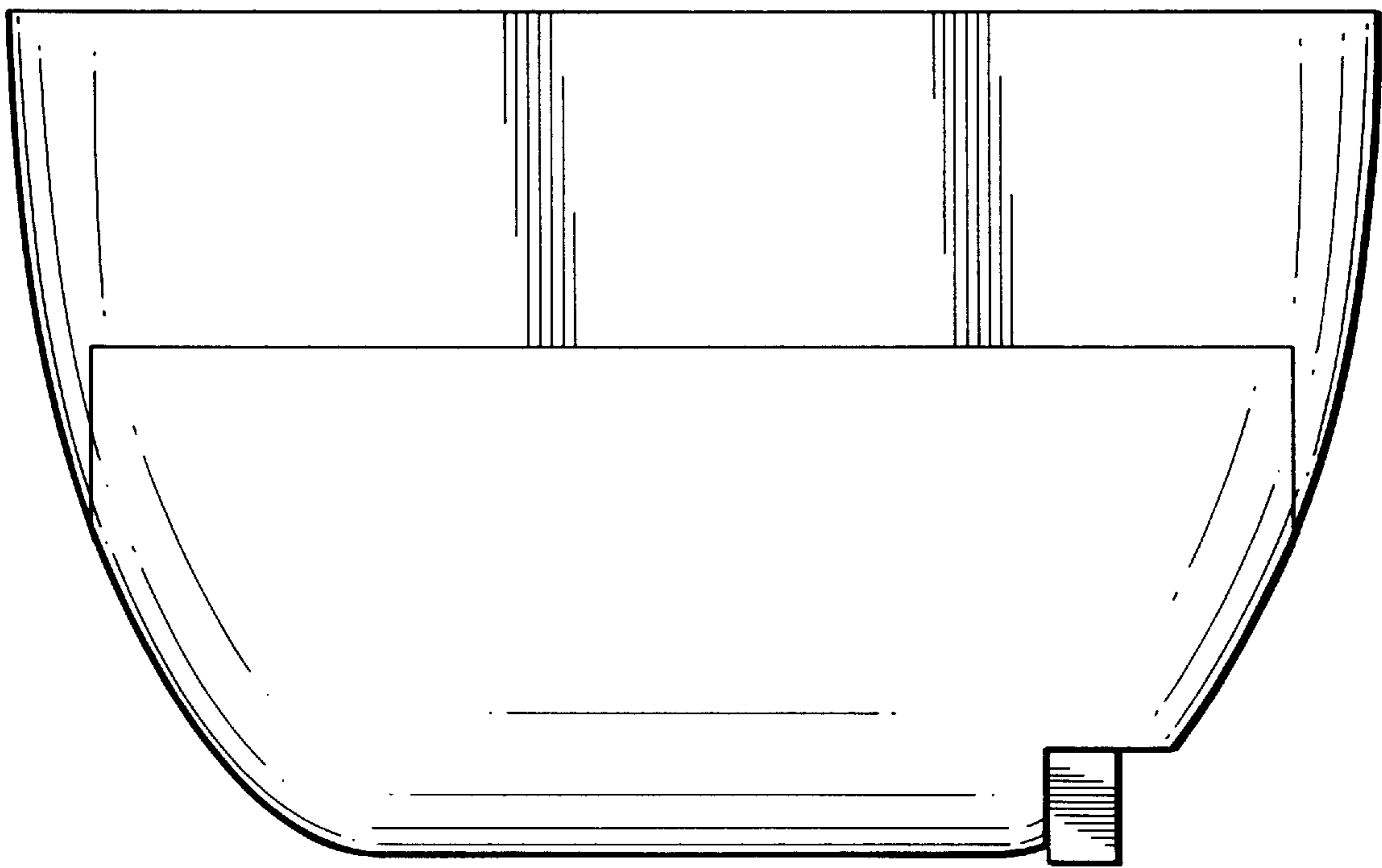


FIG. 4

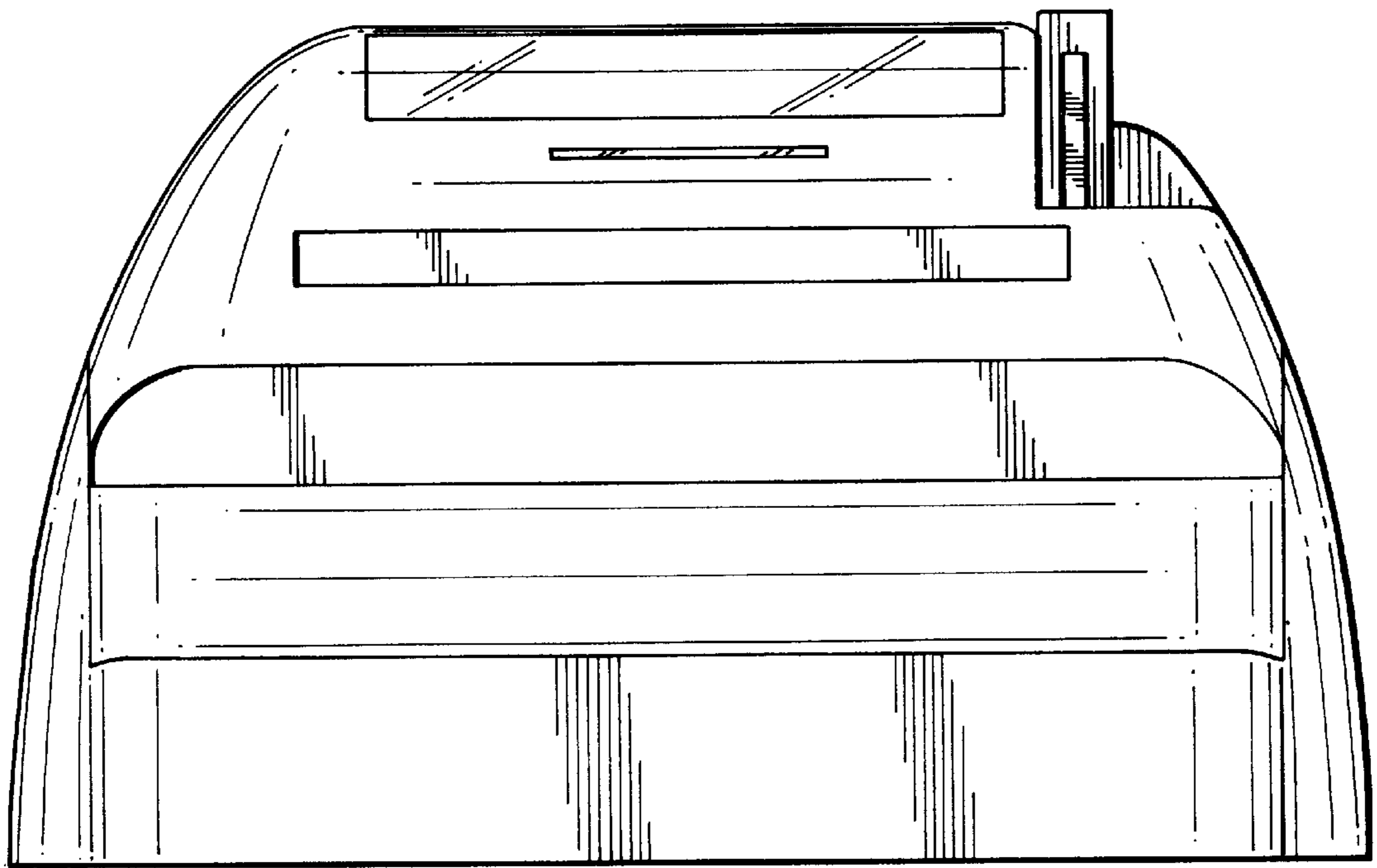


FIG. 5

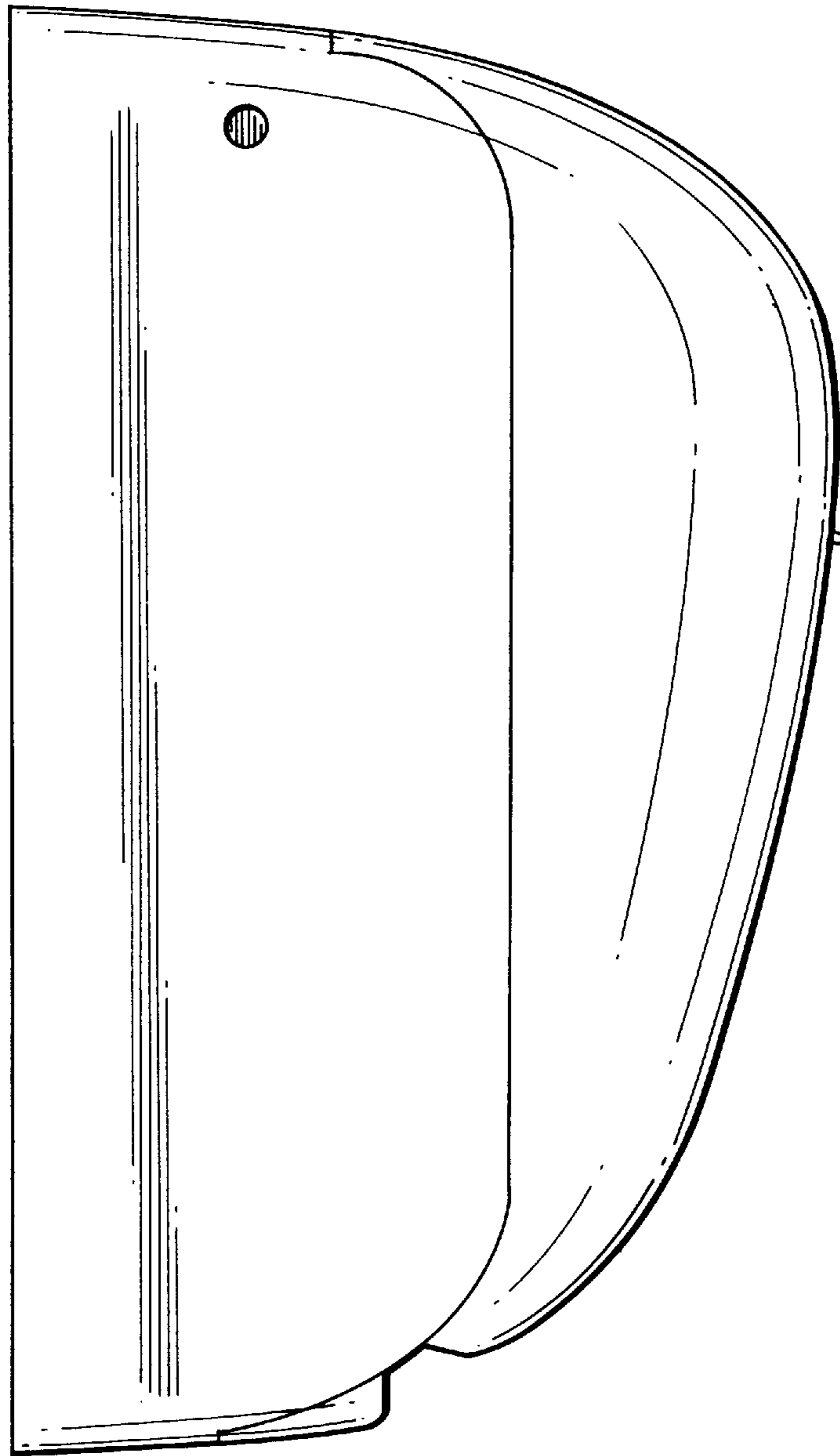


FIG. 6

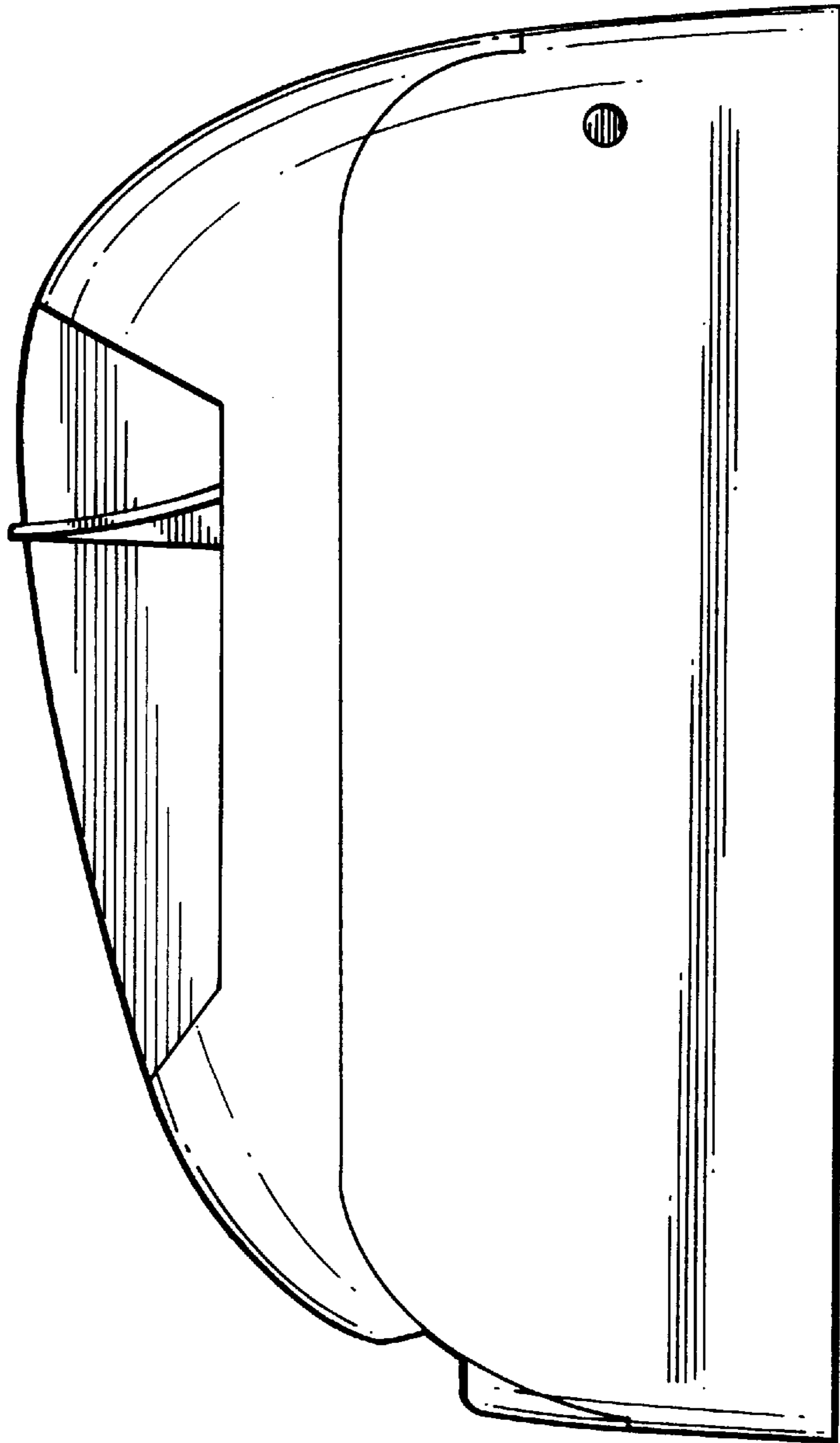


FIG. 7