



US00D399082S

United States Patent [19]
Zaidman

[11] **Patent Number: Des. 399,082**

[45] **Date of Patent: **Oct. 6, 1998**

[54] **HEADBOARD AND FOOTBOARD SET**

[75] Inventor: **Paul Zaidman**, Winnipeg, Canada

[73] Assignee: **Palliser Furniture, Ltd.**, Winnipeg, Canada

[**] Term: **14 Years**

[21] Appl. No.: **67,190**

[22] Filed: **Feb. 28, 1997**

[51] **LOC (6) Cl.** **06-01**

[52] **U.S. Cl.** **D6/505**

[58] **Field of Search** D6/382, 383, 388-395,
D6/505-508; 5/53.1, 279.1, 280, 281, 907,
93.1, 93.2, 99.1

[56] **References Cited**

U.S. PATENT DOCUMENTS

D. 178,851	9/1956	Van Koert	D6/393
D. 373,486	9/1996	Keller et al.	D6/393
D. 376,490	12/1996	Paus	D6/393

OTHER PUBLICATIONS

J. C. Penney, Spring 1992, p. 984, bed at top right.
Lazaras, Aug. 1992, p. 23, bed E at right.
Directions1, Fall 1992, p. 6, #C bed at lower left corner.

Primary Examiner—Janice E. Seeger
Attorney, Agent, or Firm—Pollock, Vande Sande & Priddy

[57] **CLAIM**

The ornamental design for a headboard and footboard set, as shown and described.

DESCRIPTION

FIG. 1 is a top view of the headboard and footboard showing my new design;

FIG. 2 is a front view thereof;

FIG. 3 is a left side elevational view, the right side being a mirror image thereof;

FIG. 4 is a right front perspective view thereof;

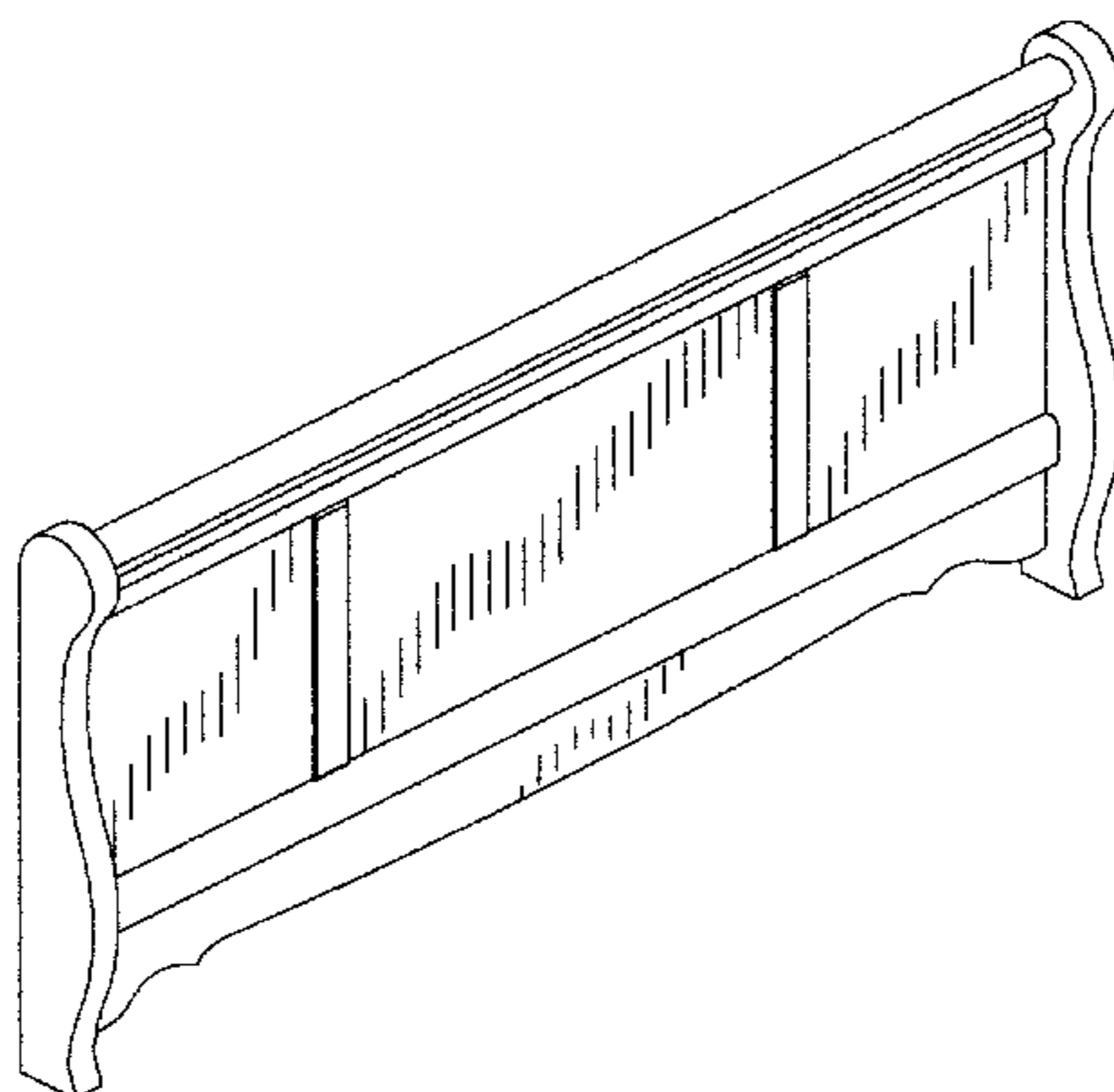
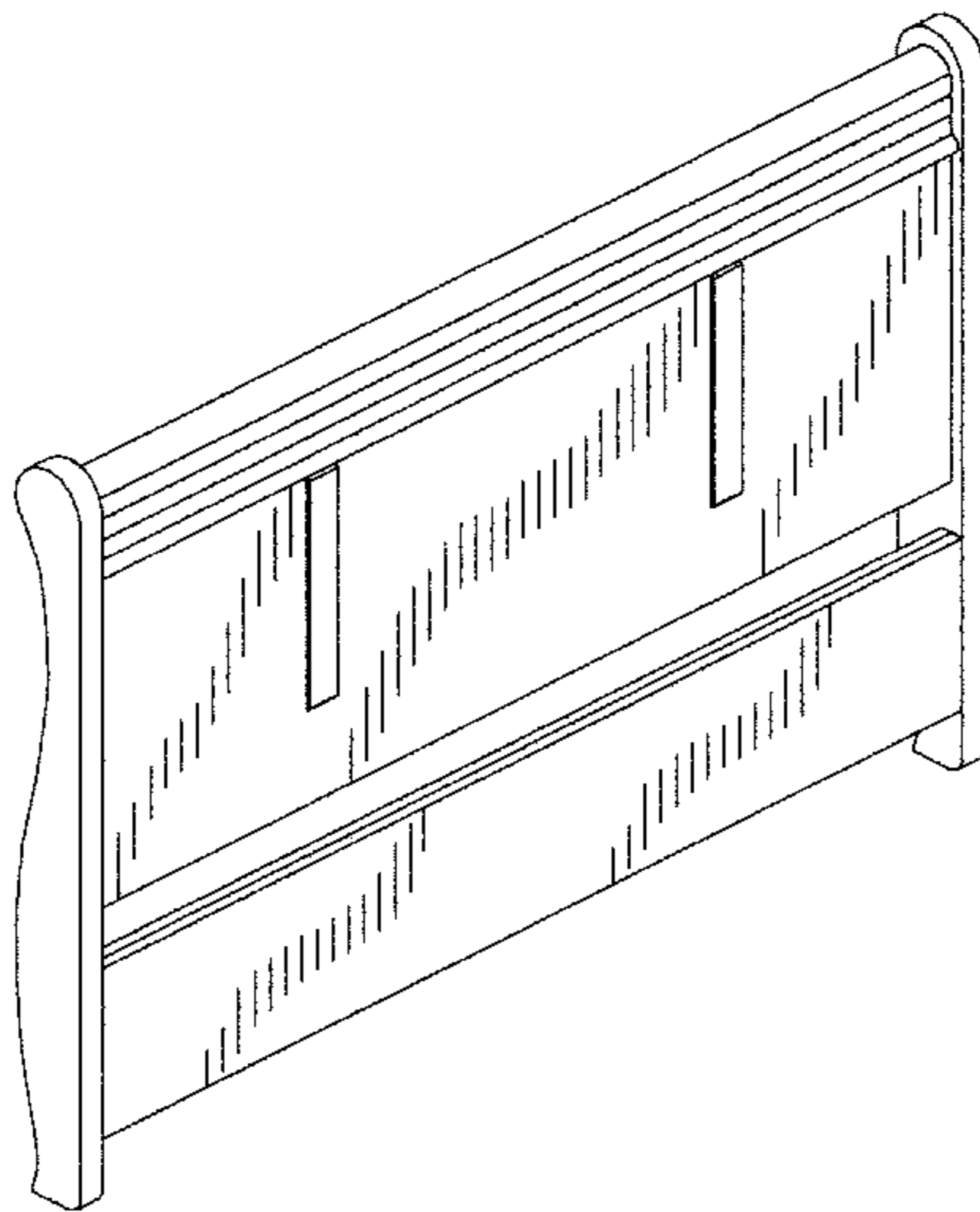
FIG. 5 is a top view of the footboard;

FIG. 6 is a front view thereof;

FIG. 7 is a left side elevational view, the right side being a mirror image thereof; and,

FIG. 8 is a right front perspective view thereof.

1 Claim, 4 Drawing Sheets



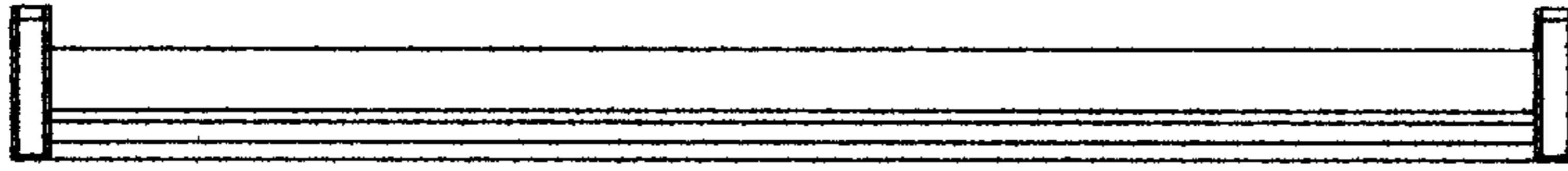


FIG. 1

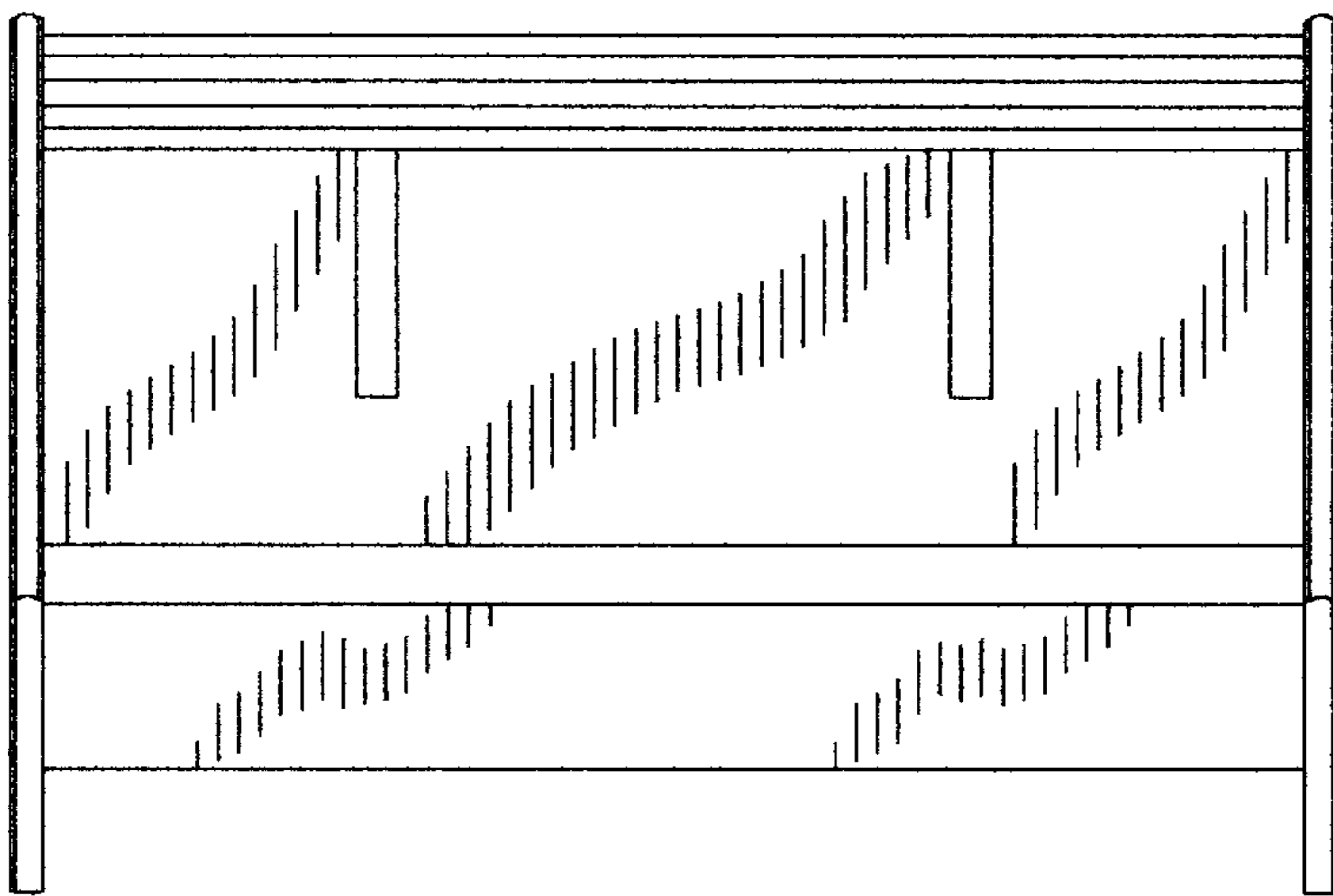


FIG. 2



FIG. 3

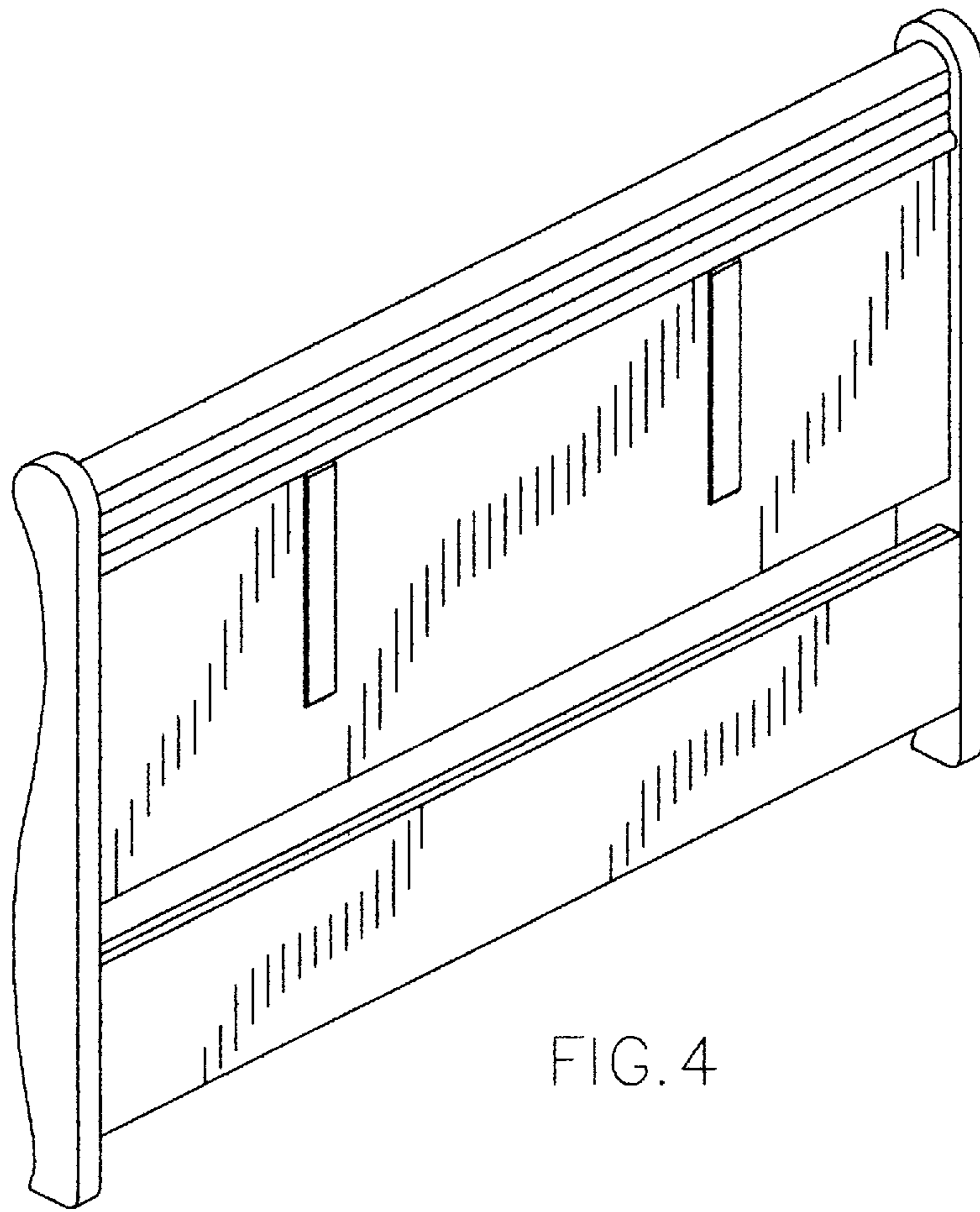


FIG. 4

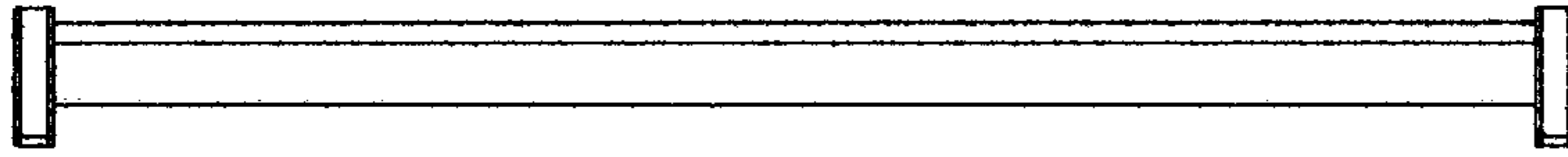


FIG. 5

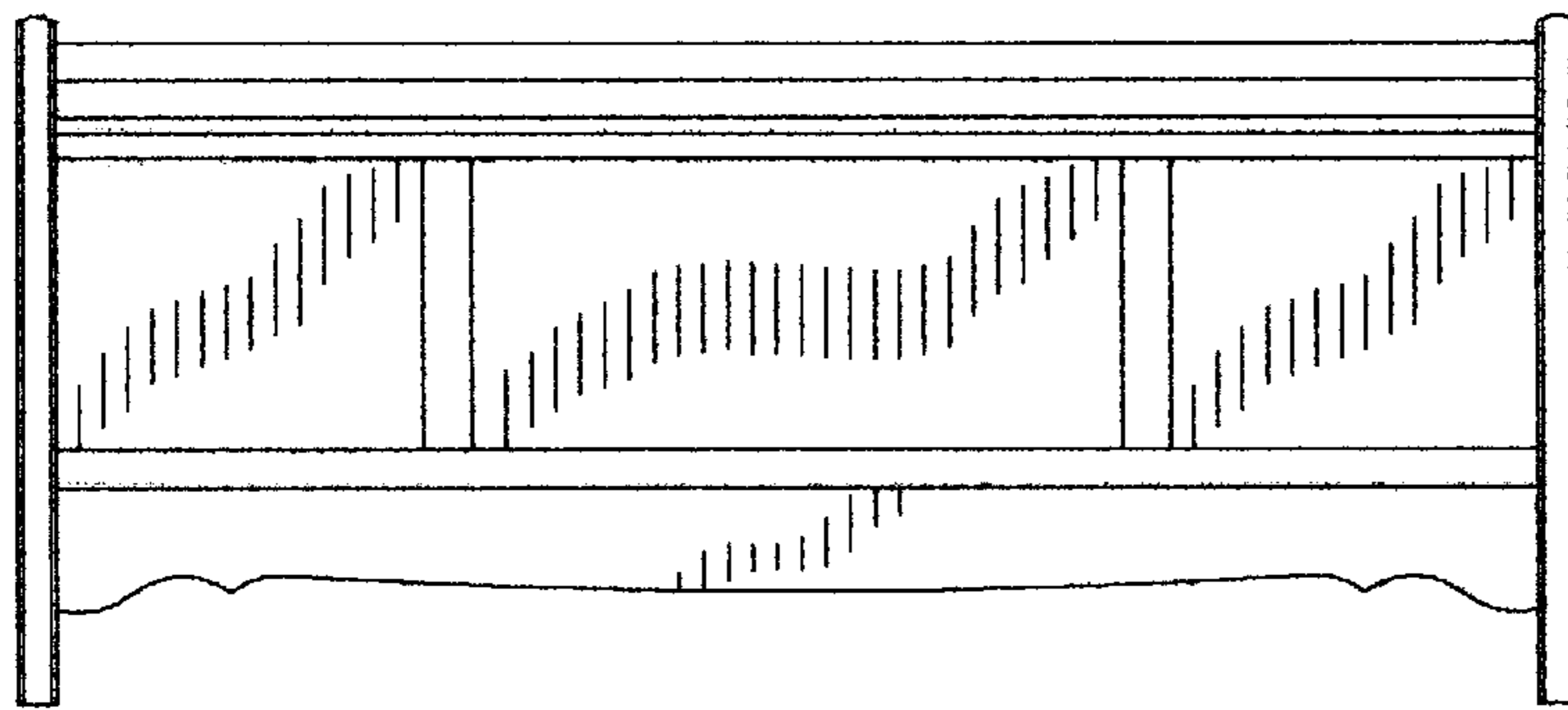


FIG. 6



FIG. 7

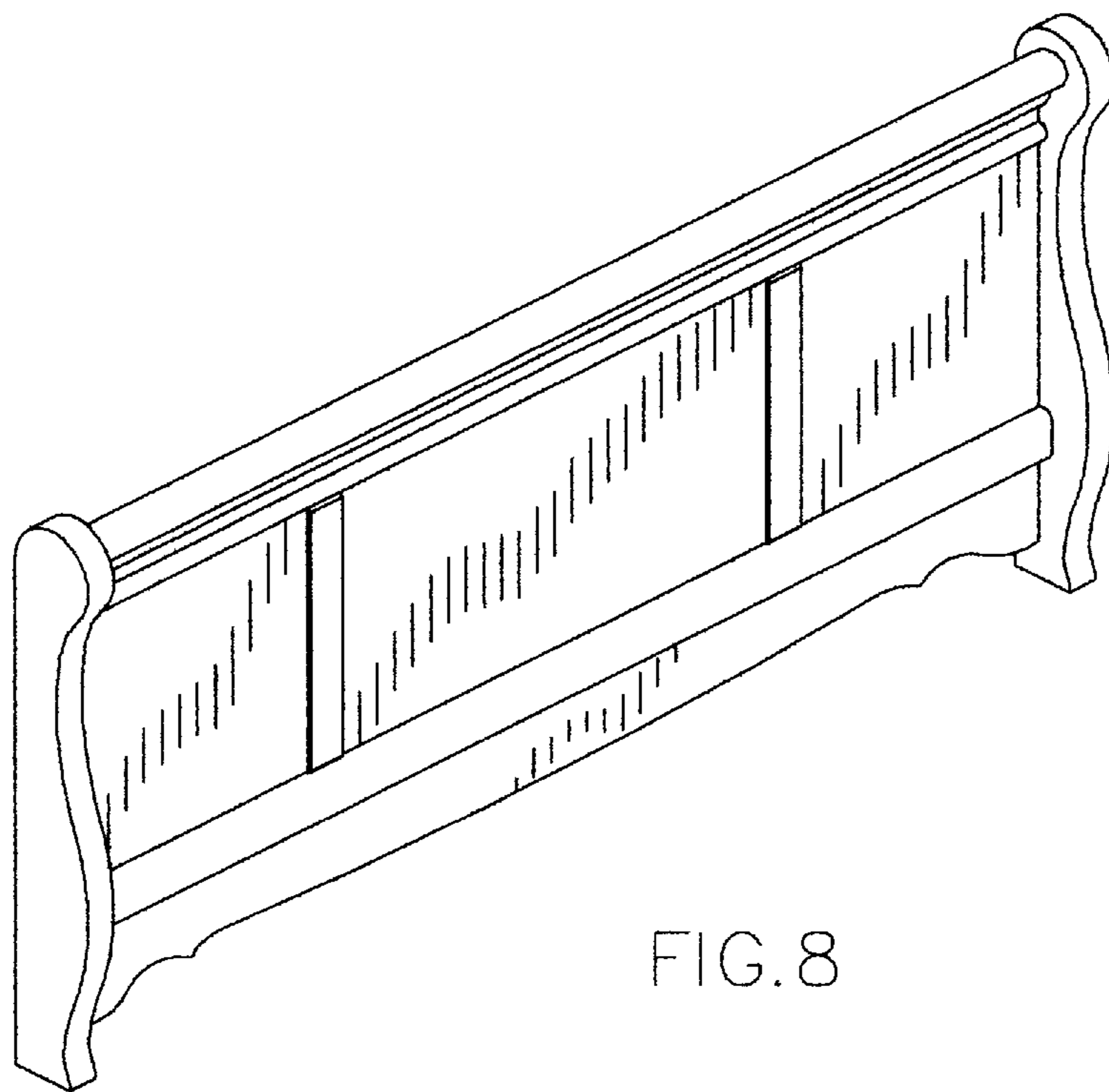


FIG. 8