



US00D399081S

United States Patent [19] Santopolo

[11] **Patent Number:** **Des. 399,081**

[45] **Date of Patent:** ****Oct. 6, 1998**

[54] **ADJUSTABLE BACKREST**

Primary Examiner—Gary D. Watson

[76] Inventor: **James Santopolo**, 89-43 91st St.,
Woodhaven, N.Y. 11421

[57] **CLAIM**

The ornamental design for an adjustable backrest, as shown and described.

[**] Term: **14 Years**

DESCRIPTION

[21] Appl. No.: **76,415**

FIG. 1 is a front elevational view of the adjustable backrest of the present invention;

[22] Filed: **Sep. 11, 1997**

FIG. 2 is a back elevational view of the adjustable backrest of FIG. 1;

[51] **LOC (6) Cl.** **06-06**

[52] **U.S. Cl.** **D6/502**

FIG. 3 is a left side elevational view of the adjustable backrest of FIG. 1;

[58] **Field of Search** D6/334, 335, 364,
D6/365, 366, 367, 374, 379, 380, 500,
501, 502; 297/230.1, 230.14, 353, 440.1,
440.15, 451.1

FIG. 4 is a right side elevational view of the adjustable backrest of FIG. 1;

[56] **References Cited**

U.S. PATENT DOCUMENTS

D. 137,214	2/1944	Koenig	D6/366
D. 211,461	6/1968	Walkinshaw	D6/366
D. 295,245	4/1988	Parsson et al.	D6/502 X
D. 335,984	6/1993	Avery	D6/502
826,575	7/1906	Hunter	297/353 X
4,456,298	6/1984	Gottstein	297/353
5,320,408	6/1994	Wansley	297/230.14

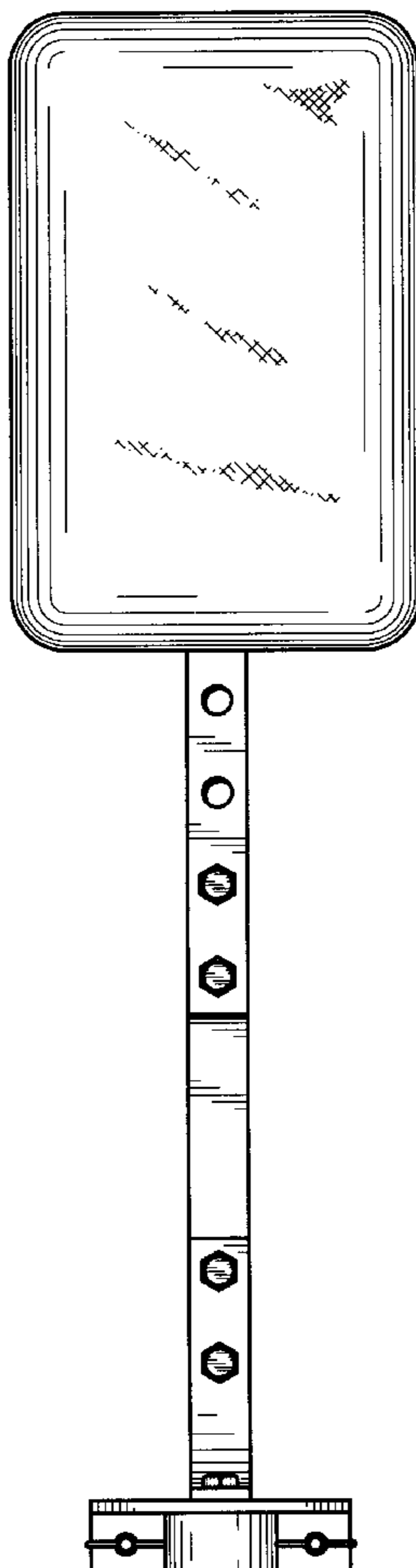
FIG. 5 is a top plan view of the adjustable backrest of FIG. 1; and,

FIG. 6 is a bottom plan view of the adjustable backrest of FIG. 1.

The fragmented cross-hatching shown on the cushion member is understood to represent fabric and would be continuous throughout.

FIGS. 5 and 6 have been shown on an enlarged scale with respect to the other views.

1 Claim, 3 Drawing Sheets



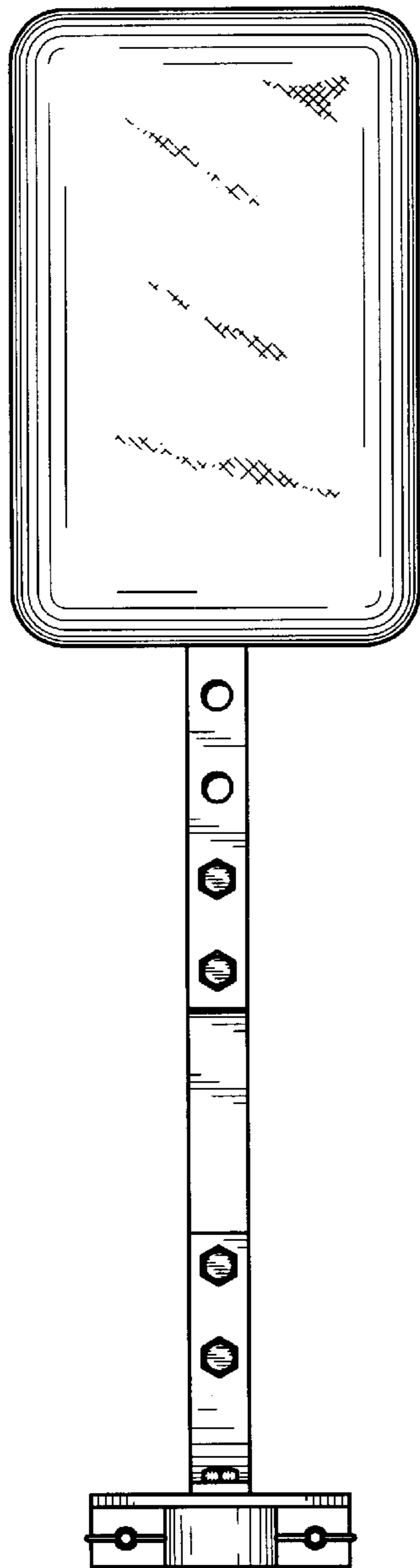


Fig. 1

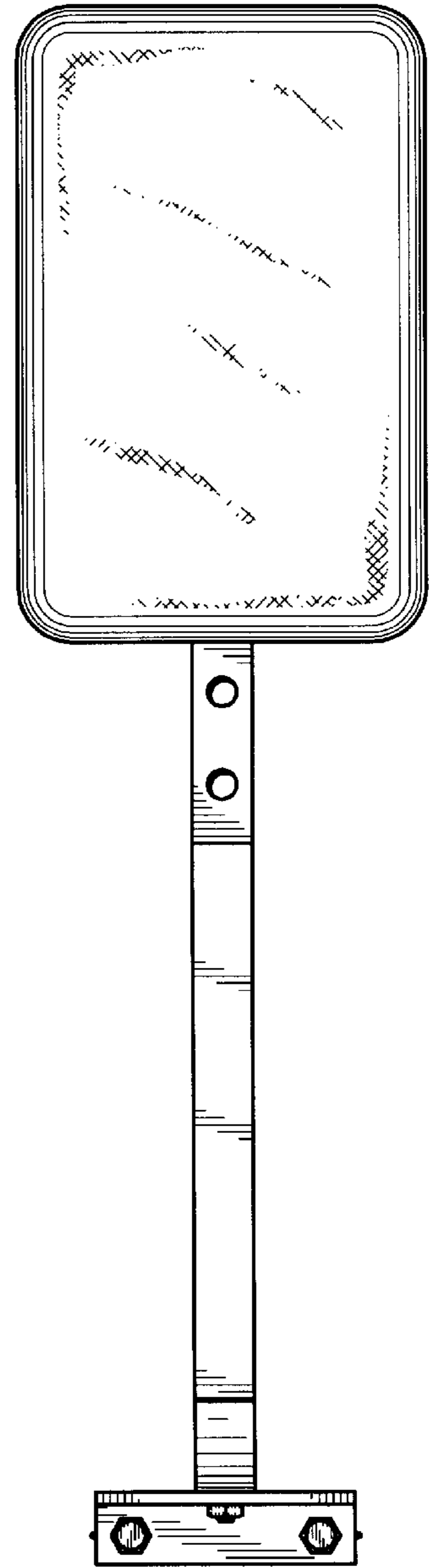


Fig. 2

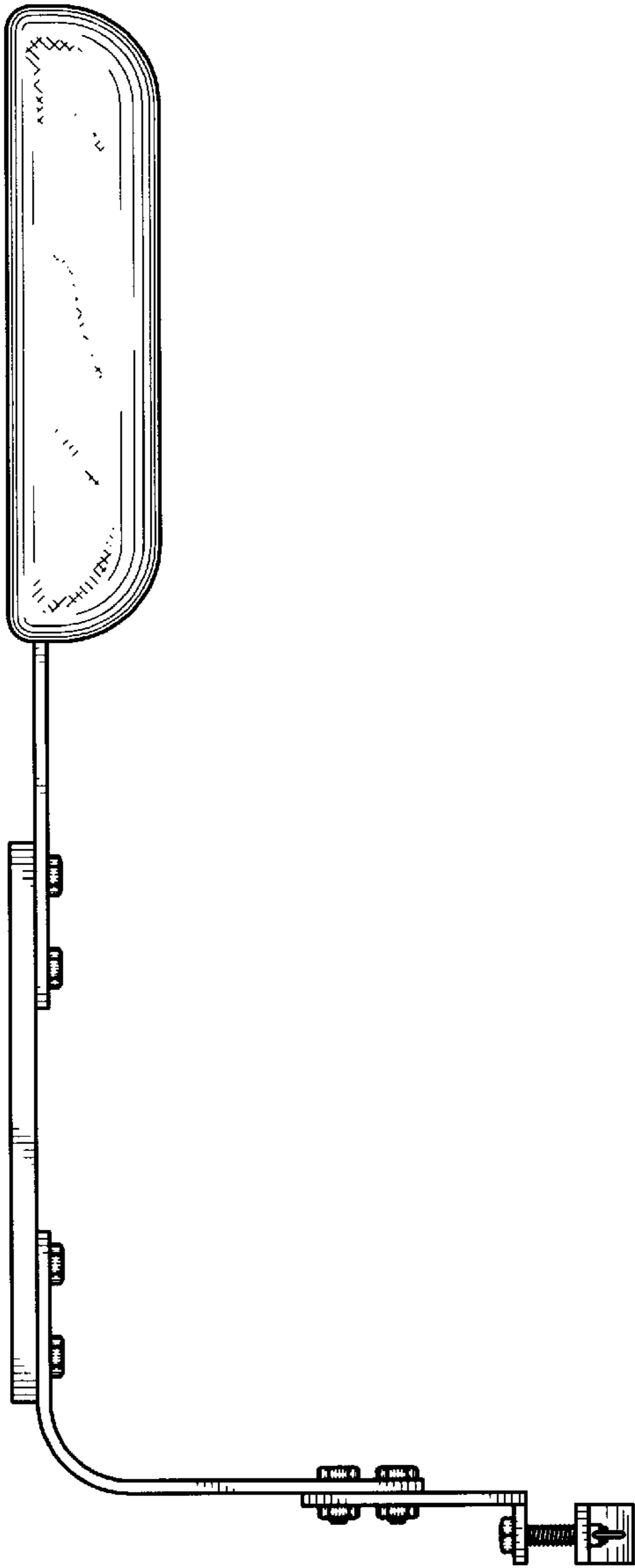


Fig. 3

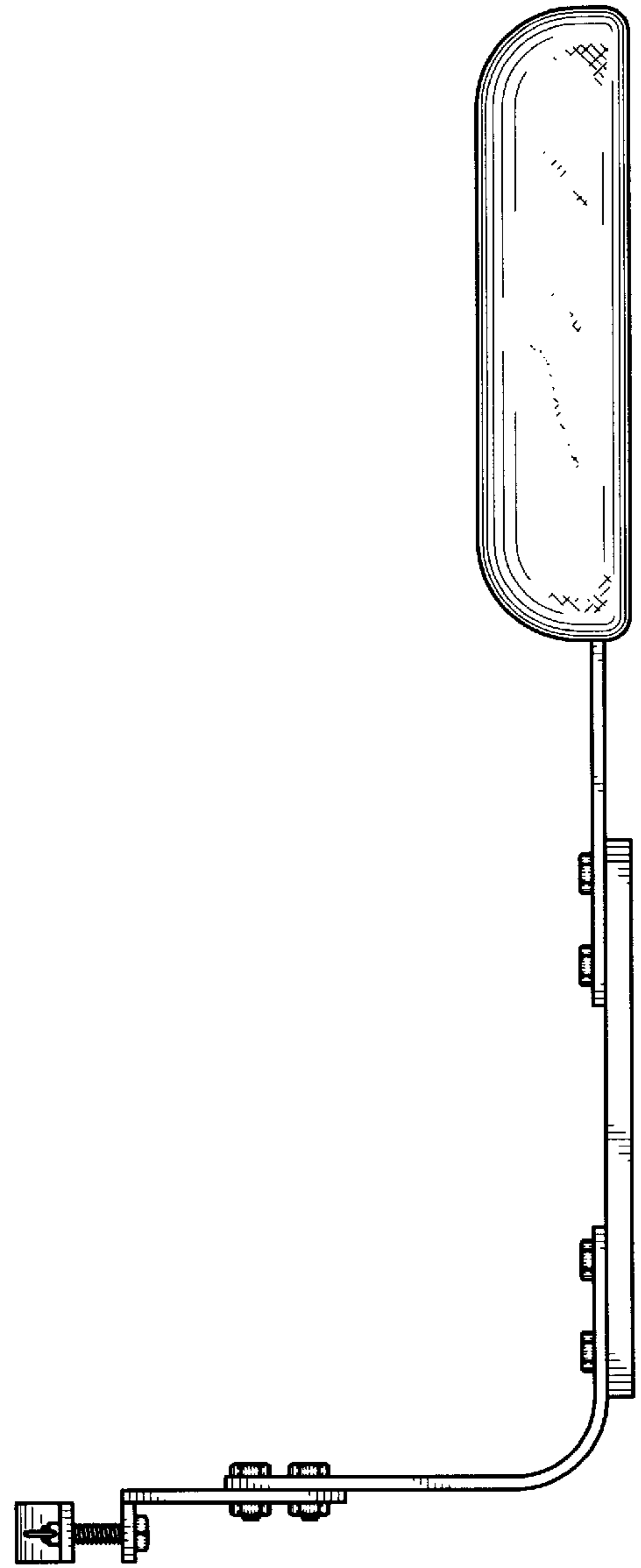


Fig. 4

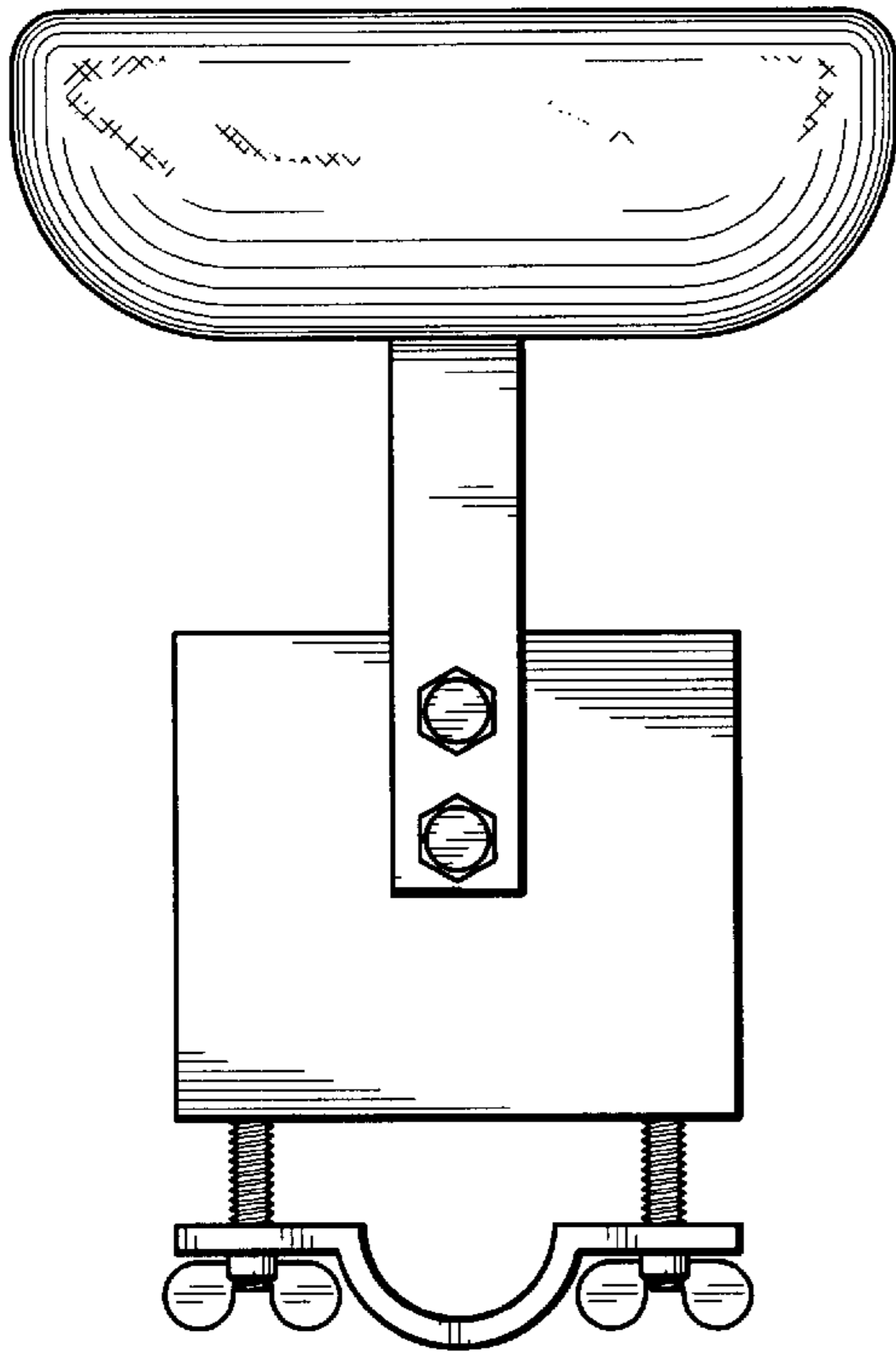


Fig. 5

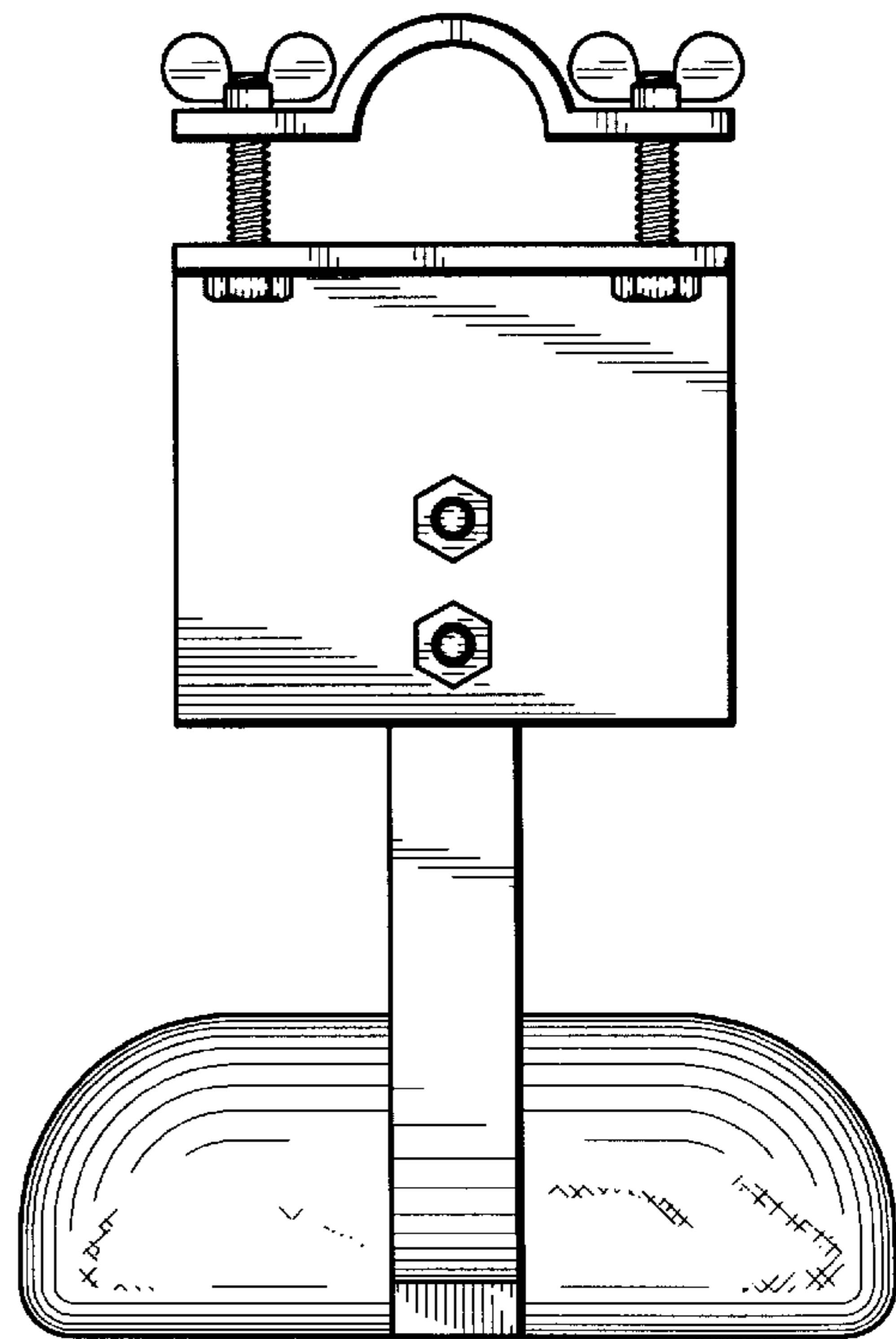


Fig. 6