



US00D399080S

United States Patent [19] Morrison

[11] **Patent Number: Des. 399,080**

[45] **Date of Patent: **Oct. 6, 1998**

[54] **ADD ON HEAD REST**

[76] Inventor: **Sam Morrison**, 1231 W. Zion Church, Shelby, N.C. 28150

[**] Term: **14 Years**

[21] Appl. No.: **64,678**

[22] Filed: **Jan. 8, 1997**

[51] **LOC (6) Cl. 06-06**

[52] **U.S. Cl. D6/501**

[58] **Field of Search D6/334, 356, 500, D6/501, 502, 601; 5/633, 652, 655.9; 297/391**

[56] **References Cited**

U.S. PATENT DOCUMENTS

D. 90,747	9/1933	Barcalo	D6/601
D. 118,319	12/1939	Kandell	D6/601
D. 215,536	10/1969	Larsen	D6/601
D. 289,354	4/1987	Willey	D6/601
D. 305,845	2/1990	Foster	D6/601
D. 311,109	10/1990	Gerschwender	D6/601
D. 338,587	8/1993	Harnish	D6/601
D. 358,957	6/1995	Propp	D6/501
2,856,614	10/1958	O'Leary	5/633
5,015,036	5/1991	Fergie	D6/501 X

OTHER PUBLICATIONS

Engineering Graphics Fundamentals, p. 128, right triangular, mid-page, second row as marked, ©1985.

Primary Examiner—Gary D. Watson
Attorney, Agent, or Firm—William B. Ritchie

[57] **CLAIM**

The ornamental design for an add on head rest, as shown and described.

DESCRIPTION

FIG. 1 is a bottom isometric view of the ornamental head rest;

FIG. 2 is a rear view;

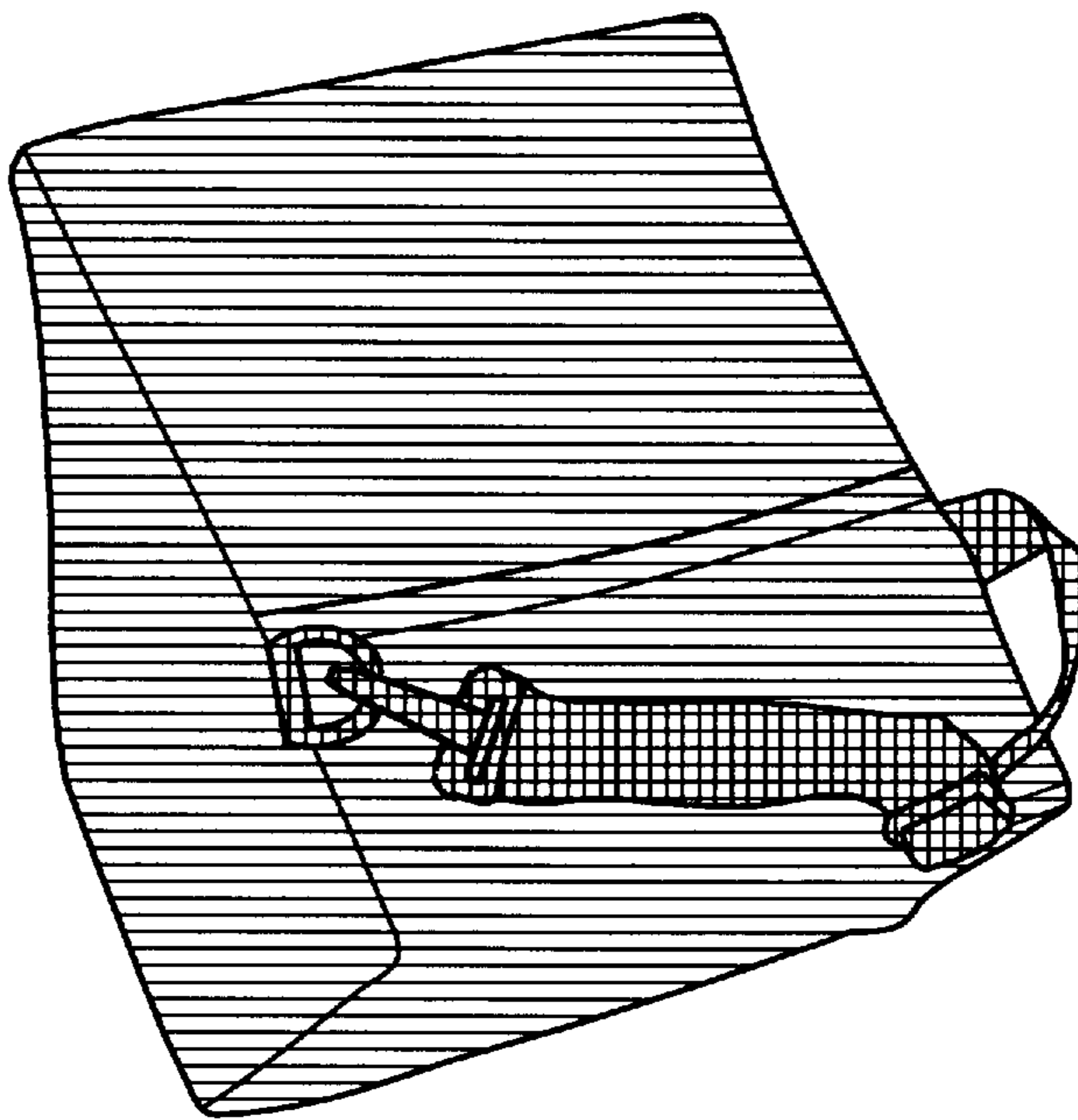
FIG. 3 is a right side view;

FIG. 4 is a left side view; and,

FIG. 5 is a top view.

FIGS. 2 and 4 have been shown on an enlarged scale with respect to the other views. The head rest has been lined in the drawing views with horizontal lines to represent the color blue and the strap and fasteners have been lined with crossed lines to represent the color black.

1 Claim, 3 Drawing Sheets



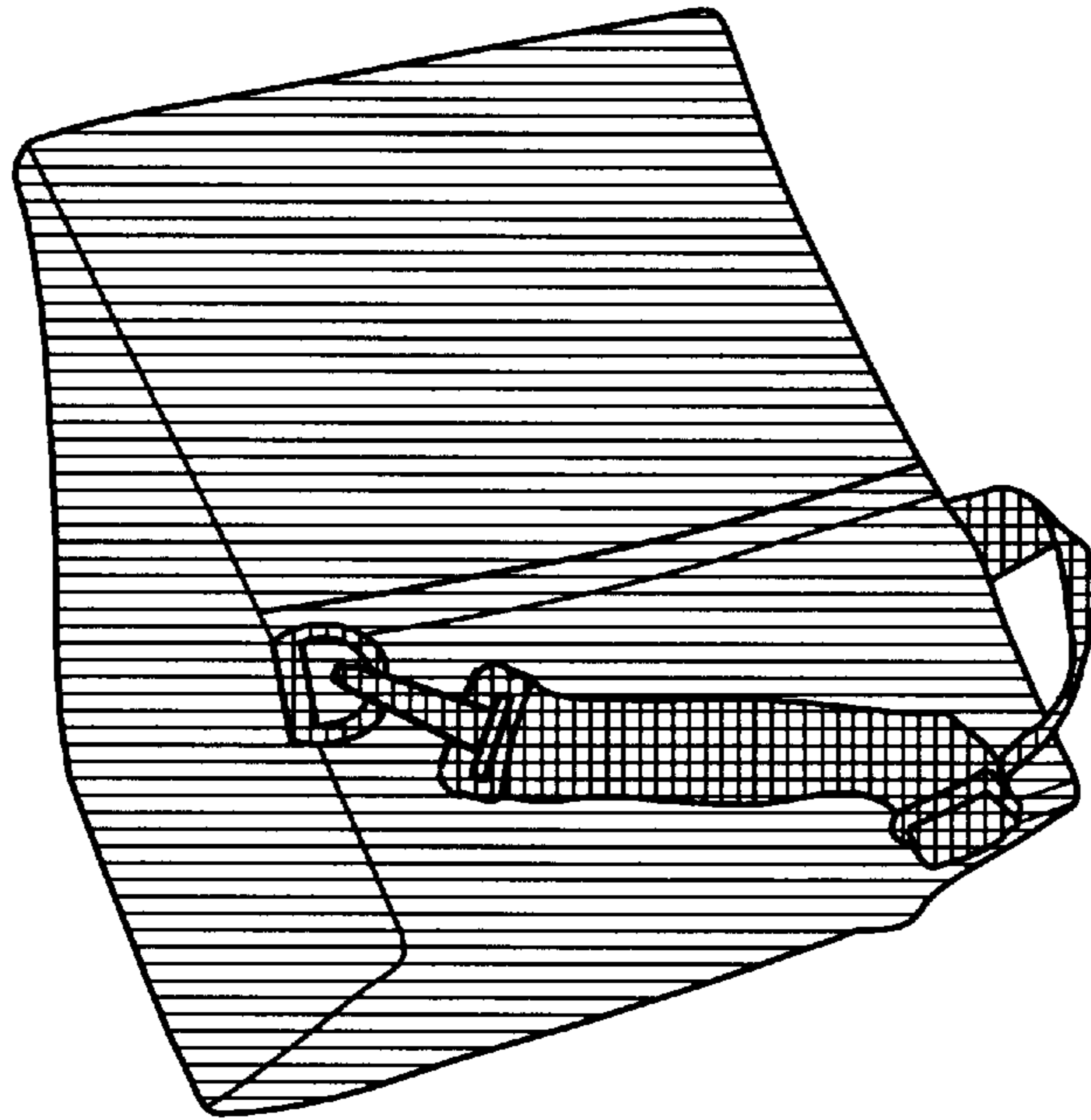


FIG. 1

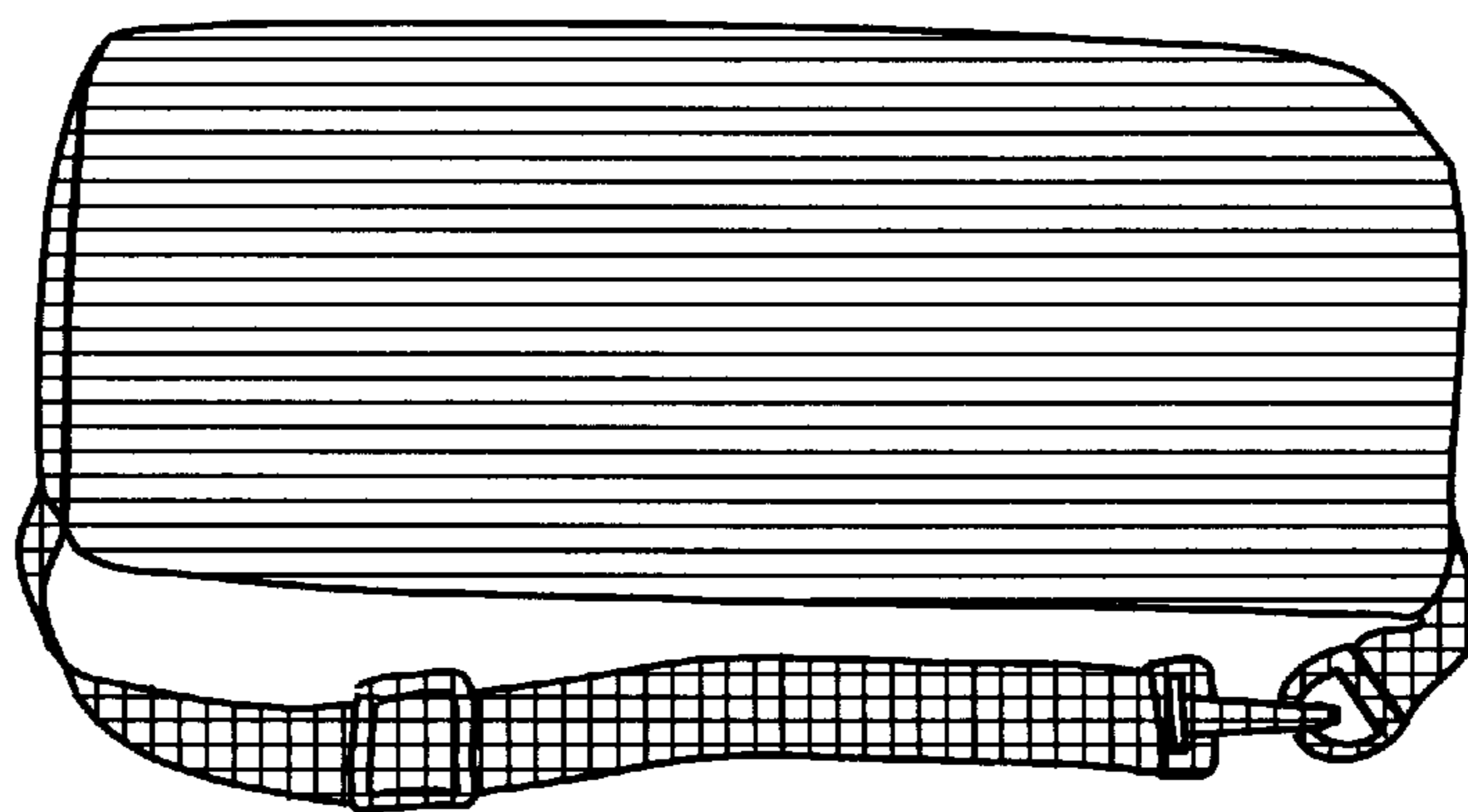


FIG. 2

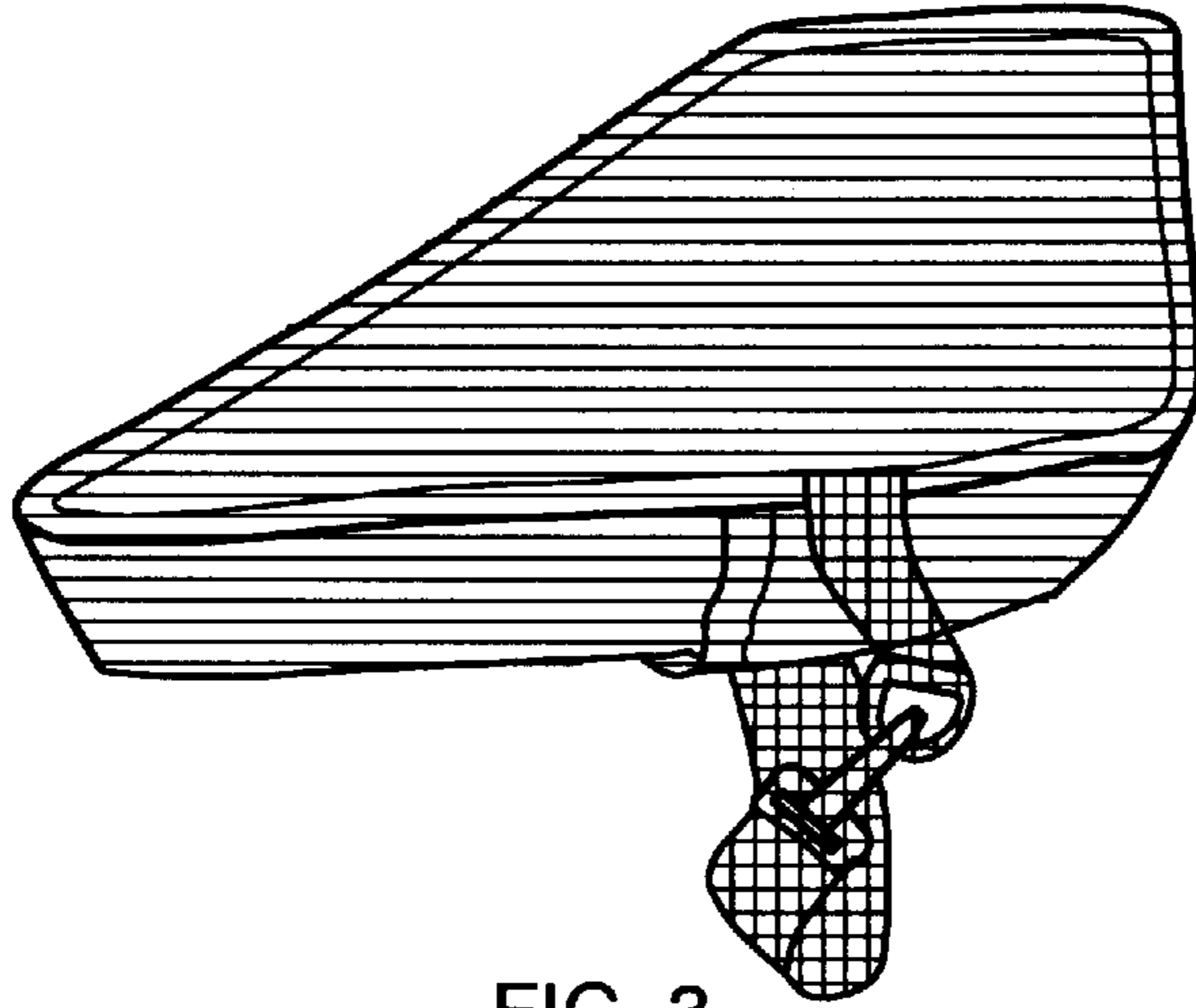


FIG. 3

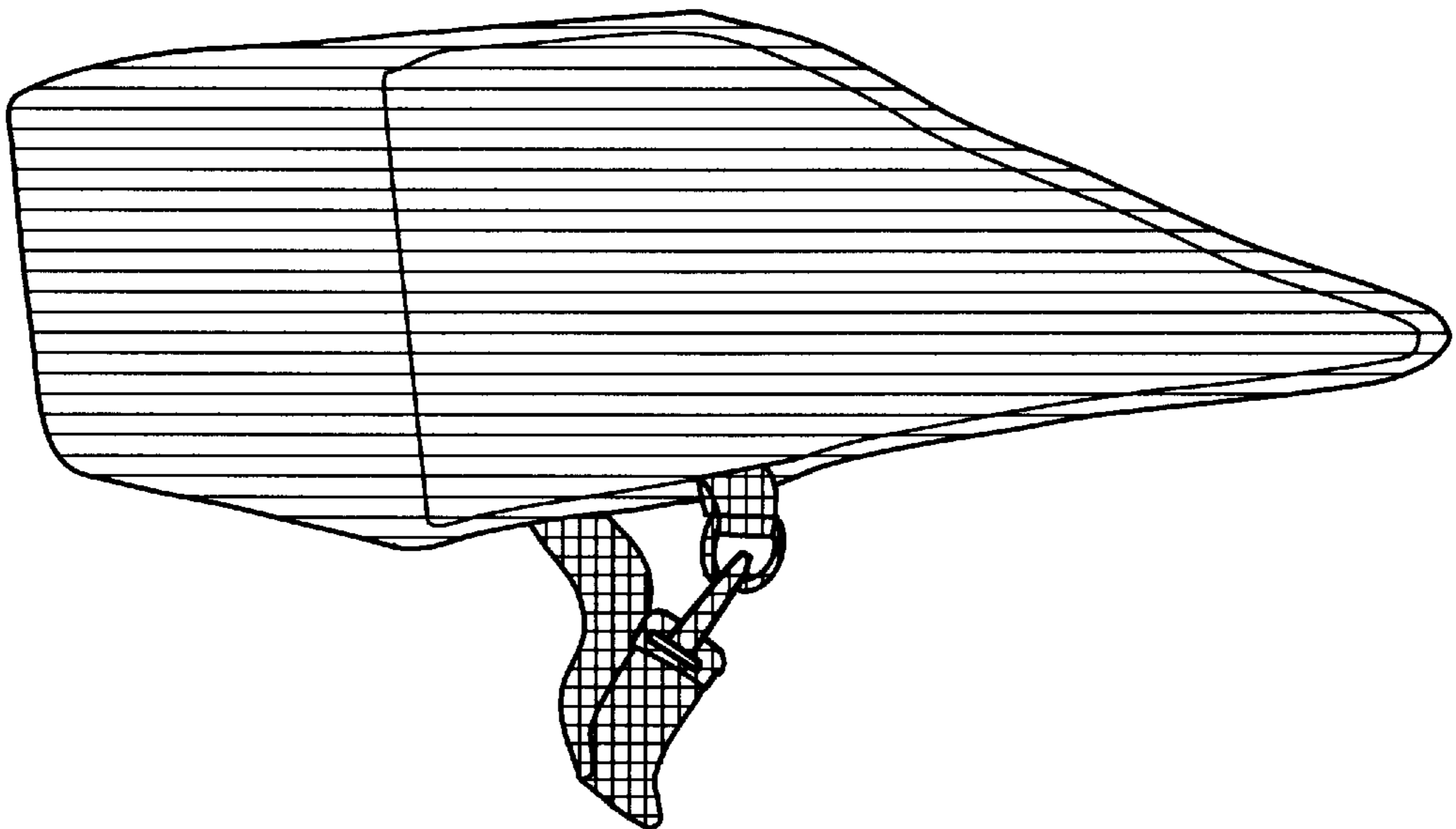


FIG. 4

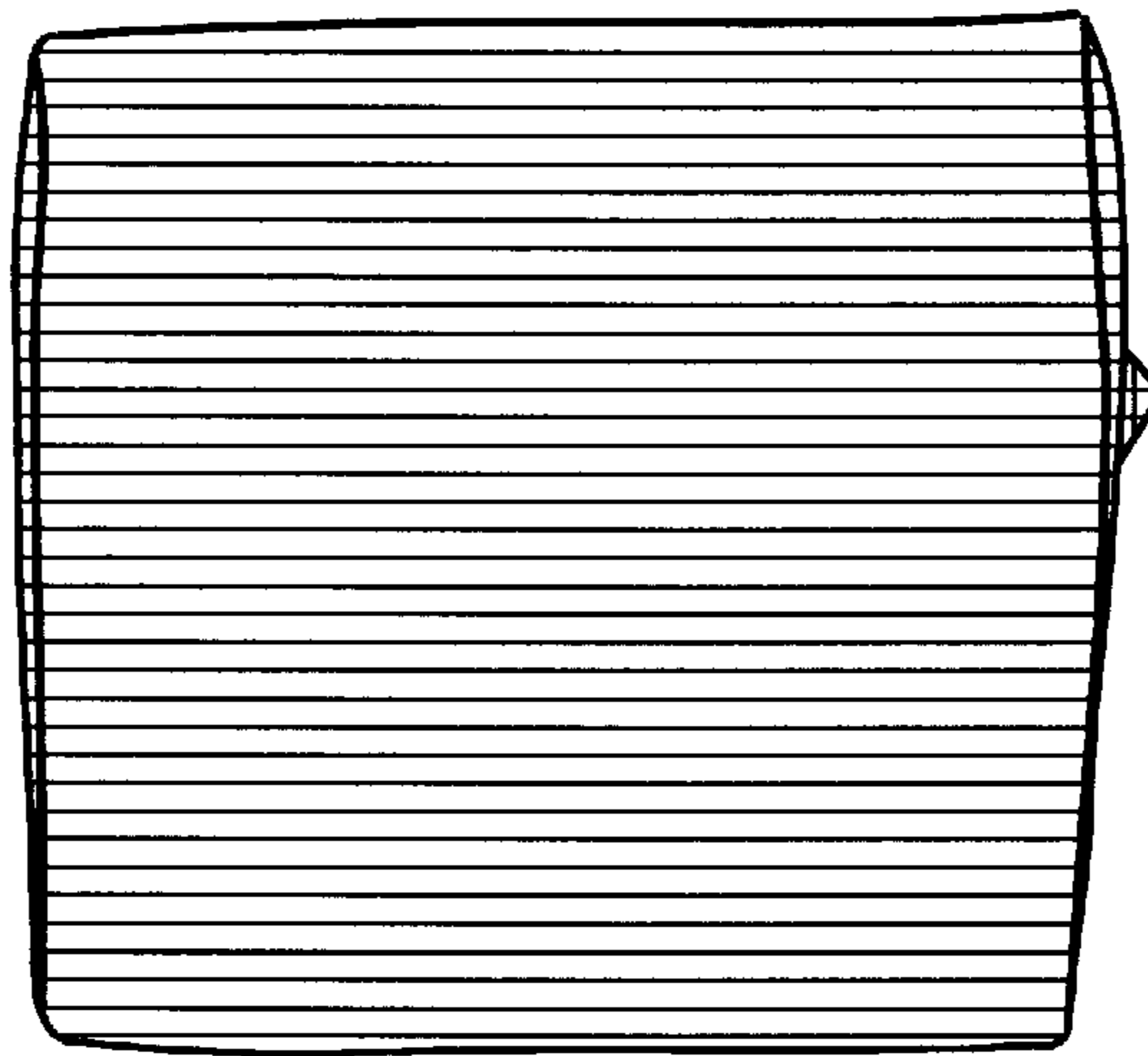


FIG. 5