



US00D399079S

# United States Patent [19] Hylén

[11] **Patent Number: Des. 399,079**

[45] **Date of Patent: \*\*Oct. 6, 1998**

[54] **ADJUSTABLE SUPPORT**

[75] Inventor: **Roger Hylén**, Örebro, Sweden

[73] Assignee: **Igar System AB**, Orebro, Sweden

[\*\*] Term: **14 Years**

[21] Appl. No.: **69,573**

[22] Filed: **Apr. 29, 1997**

[30] **Foreign Application Priority Data**

Oct. 29, 1996 [SE] Sweden ..... 96-2266

[51] **LOC (6) Cl.** ..... **06-03**

[52] **U.S. Cl.** ..... **D6/496; D6/495**

[58] **Field of Search** ..... D6/480-489, 495-499,  
D6/429, 423; 108/144, 146, 148, 153, 155-157,  
161; 248/188.1, 188.8, 188.9

[56] **References Cited**

**U.S. PATENT DOCUMENTS**

D. 330,302 10/1992 Heidmann ..... D6/495

D. 352,845 11/1994 Hellwig et al. .... D6/422

D. 370,579 6/1996 Simon ..... D6/484  
D. 371,687 7/1996 Sims ..... D6/423  
5,427,035 6/1995 Grahl .

**OTHER PUBLICATIONS**

Domus, Dec. 1990 table leg at top.

*Primary Examiner*—Janice E. Seeger  
*Attorney, Agent, or Firm*—Sughrue, Mion, Zinn, Macpeak  
& Seas, PLLC

[57] **CLAIM**

The ornamental design for an adjustable support, as shown and described.

**DESCRIPTION**

FIG. 1 is a perspective view of the front and one side of an adjustable support showing my new design;

FIG. 2 is a perspective view of the top, rear and opposite side thereof, the bottom surface being plain and unornamented; and,

FIG. 3 is a front elevational view thereof.

**1 Claim, 3 Drawing Sheets**

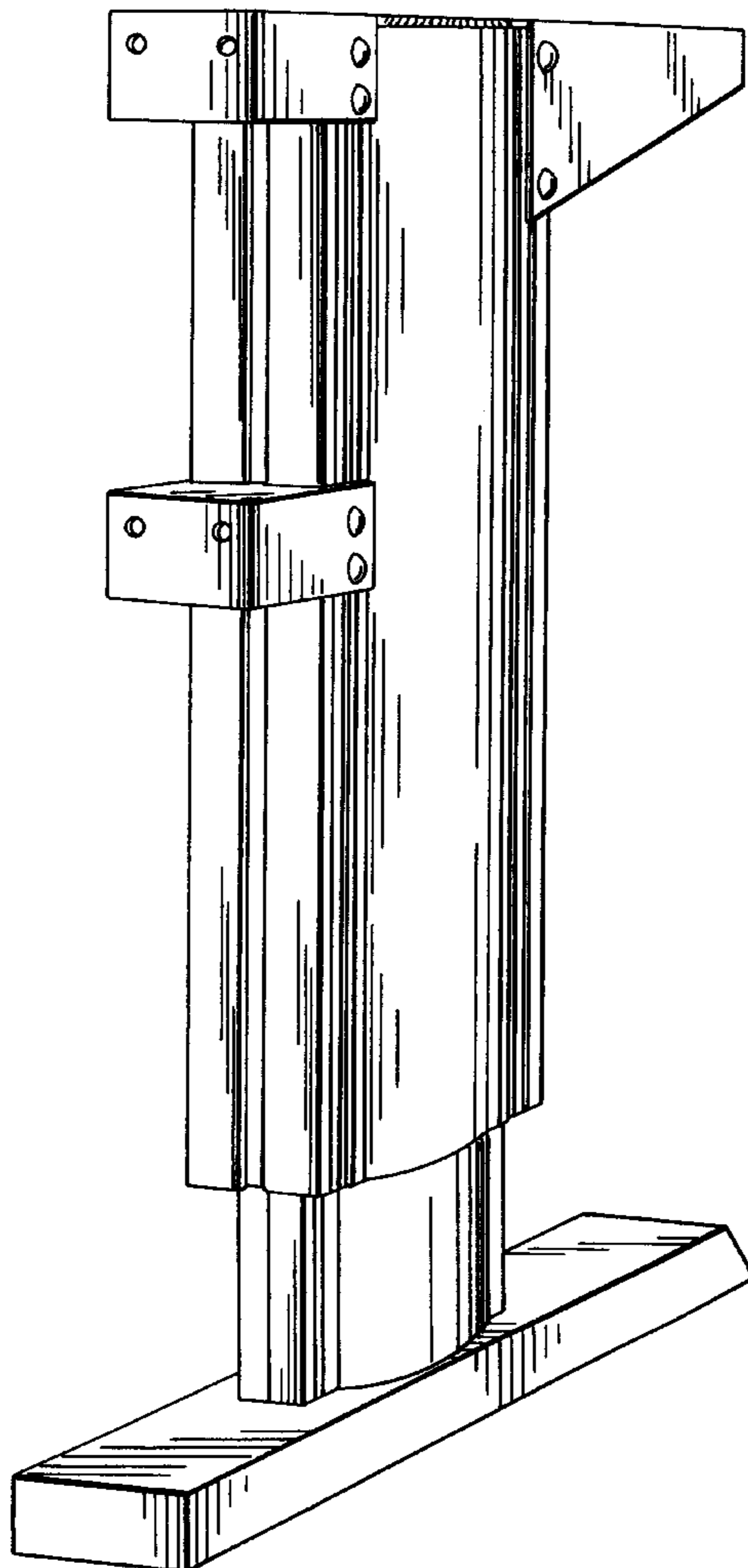


Fig.1

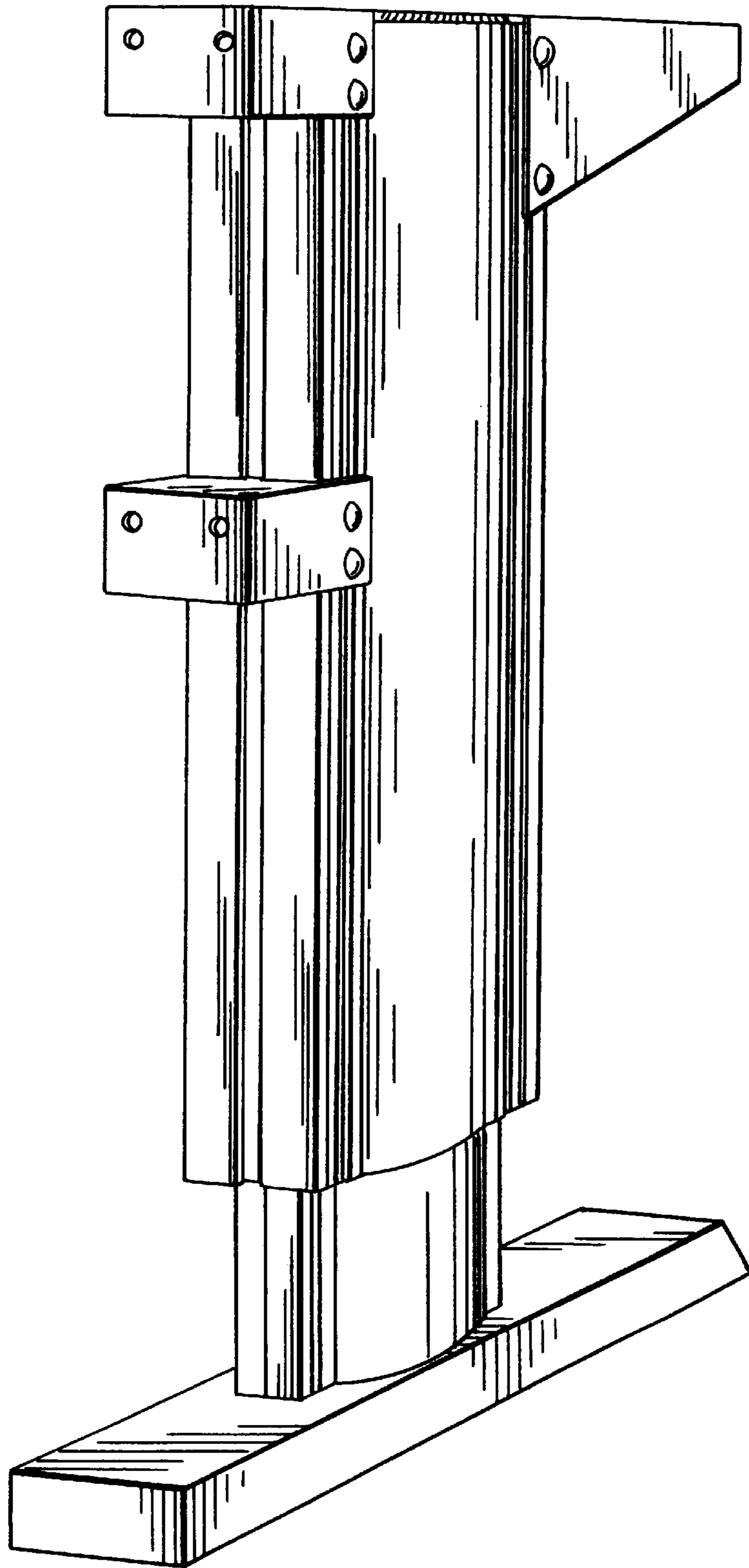


Fig.2

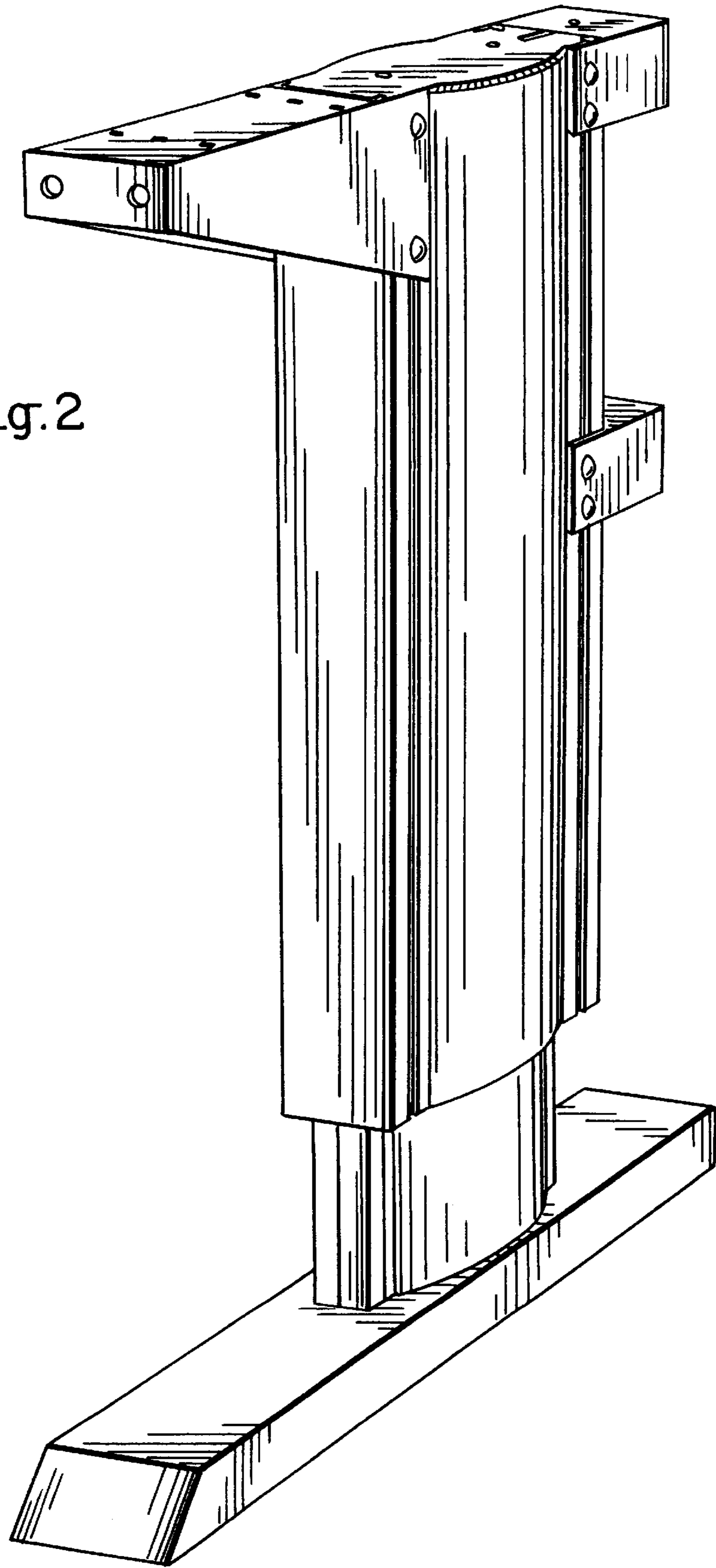


Fig.3

