



US00D399077S

# United States Patent [19]

Lepper et al.

[11] **Patent Number: Des. 399,077**

[45] **Date of Patent: \*\*Oct. 6, 1998**

[54] **DESK**

[75] Inventors: **Christian Lepper; Roland Schmidt,**  
both of Kassel; **Uwe Sommerlade,**  
Calden, all of Germany

[73] Assignee: **Mauser Office GmbH,** Korbach,  
Germany

[\*\*] Term: **14 Years**

[21] Appl. No.: **71,131**

[22] Filed: **May 21, 1997**

### [30] Foreign Application Priority Data

Nov. 23, 1996 [DE] Germany ..... 96 10 217.9

[51] **LOC (6) Cl. .... 06-03**

[52] **U.S. Cl. .... D6/484**

[58] **Field of Search** ..... D6/480-489, 495-499,  
D6/429, 423; 108/144, 146, 148, 153, 155-157,  
161; 248/188.1, 188.8

### [56] References Cited

#### U.S. PATENT DOCUMENTS

D. 284,532 7/1986 Vogt ..... D6/428

D. 335,406 5/1993 Vonhausen ..... D6/484  
D. 352,845 11/1994 Hellwig et al. .... D6/422  
D. 374,787 10/1996 Stoddard et al. .... D6/484

*Primary Examiner*—Janice E. Seeger  
*Attorney, Agent, or Firm*—Herbert Dubno

### [57] CLAIM

The ornamental design for a desk, as shown and described.

### DESCRIPTION

FIG. 1 is a top left side front perspective view of a desk showing our new design;

FIG. 2 is a front elevational view thereof;

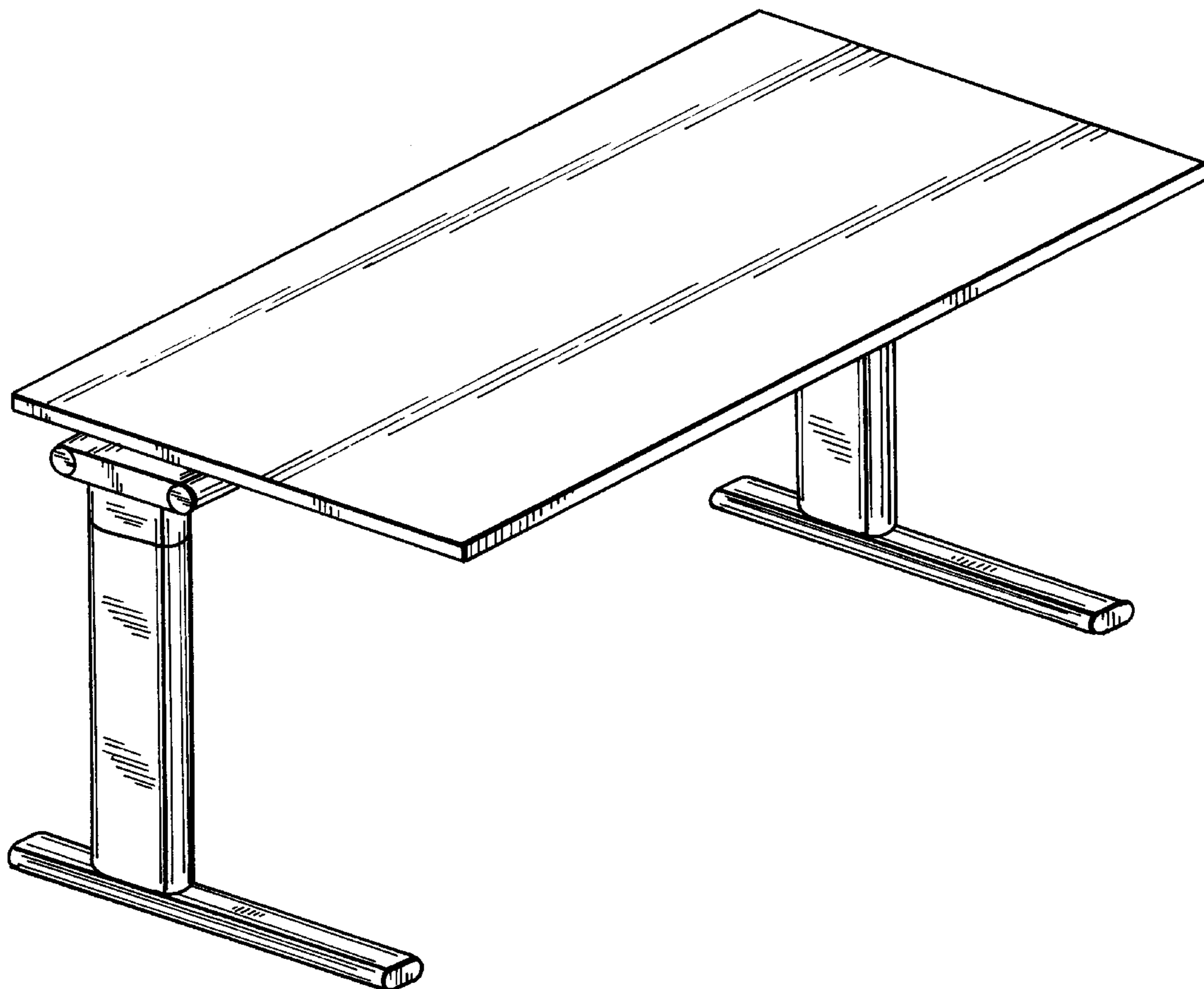
FIG. 3 is a rear elevational view thereof;

FIG. 4 is a left side elevational view thereof, the right side being mirror-symmetrical thereto;

FIG. 5 is a top plan view thereof; and,

FIG. 6 is a bottom plan view thereof.

**1 Claim, 5 Drawing Sheets**



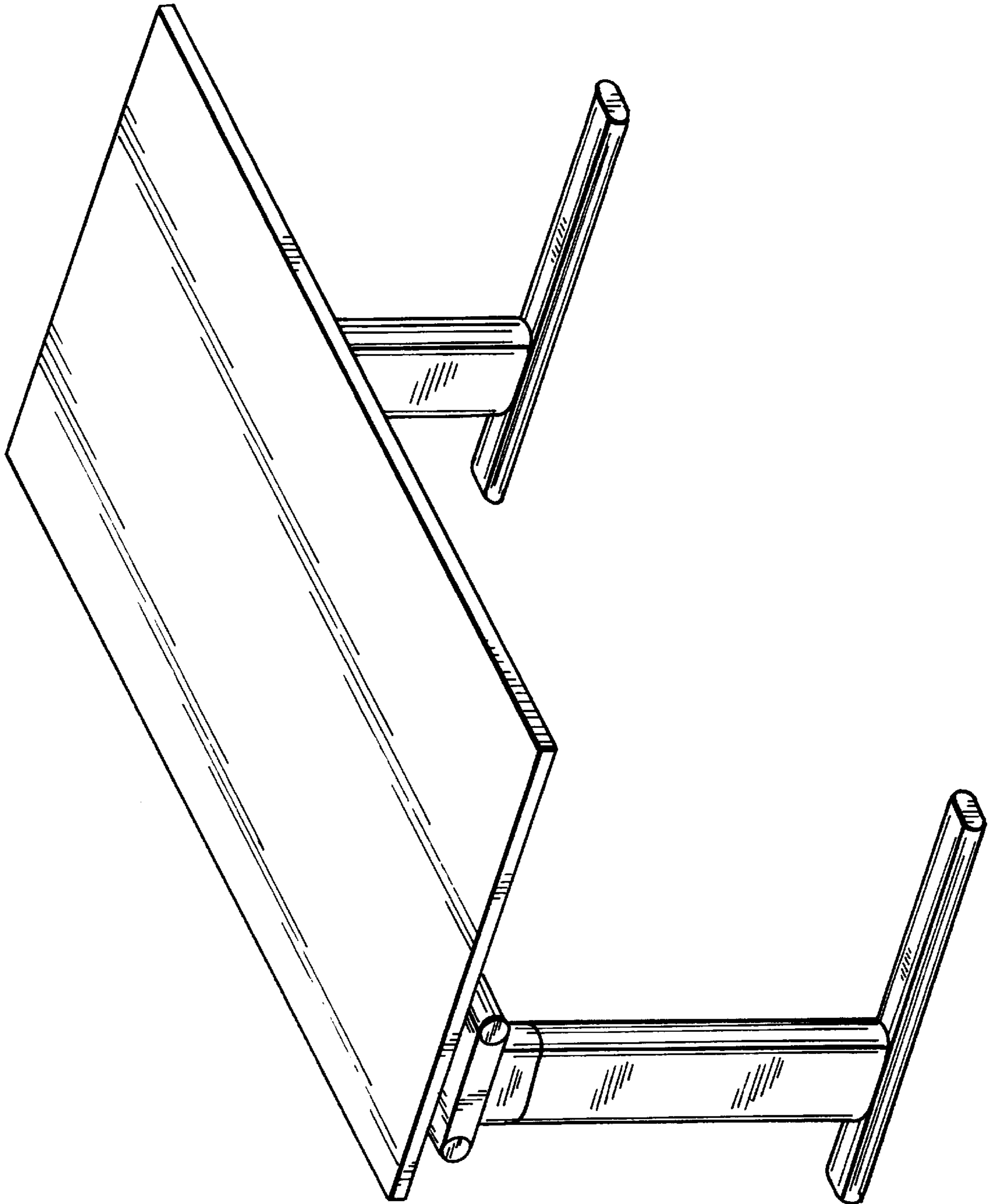


FIG. 1

FIG. 2

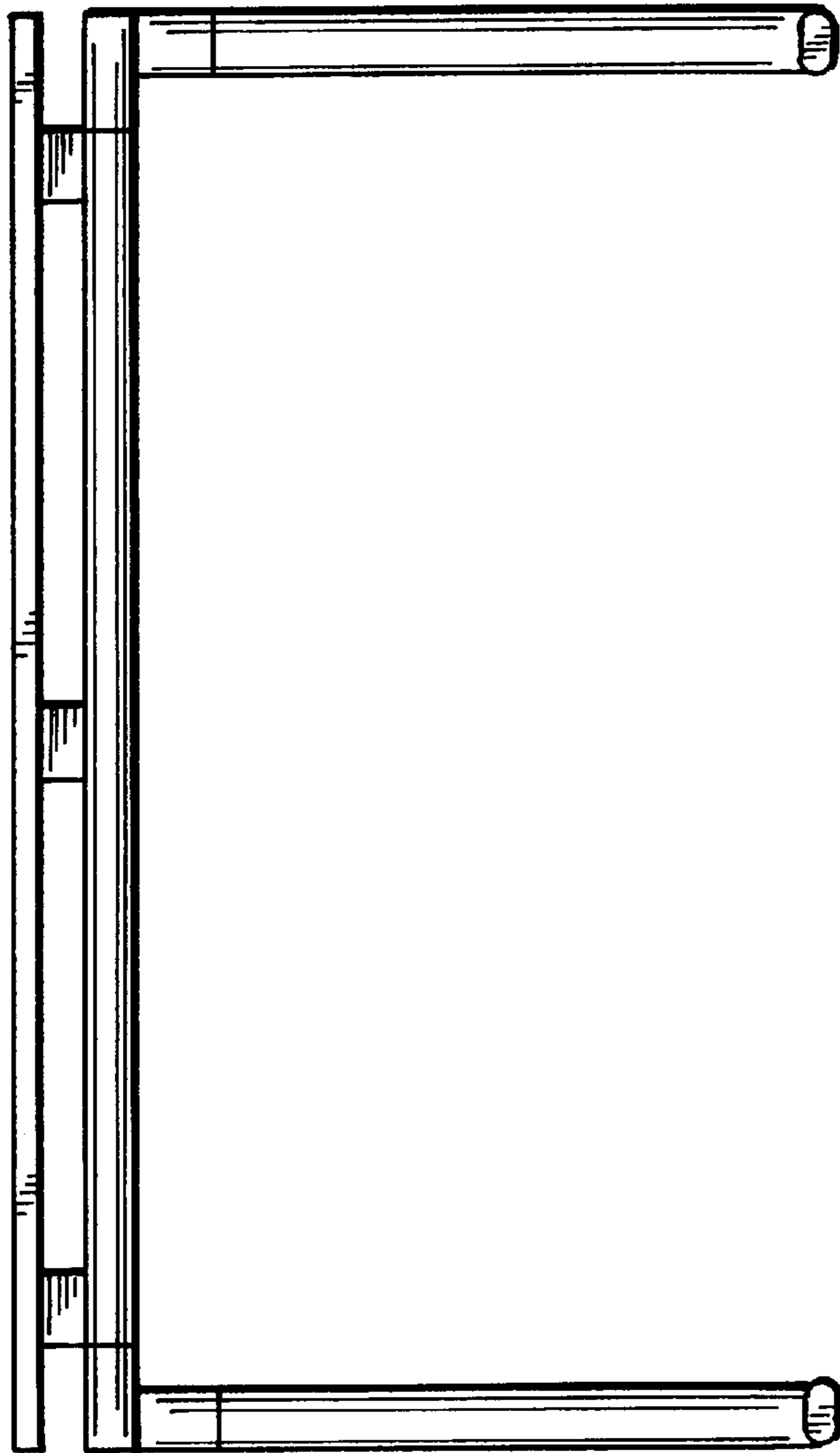


FIG. 3

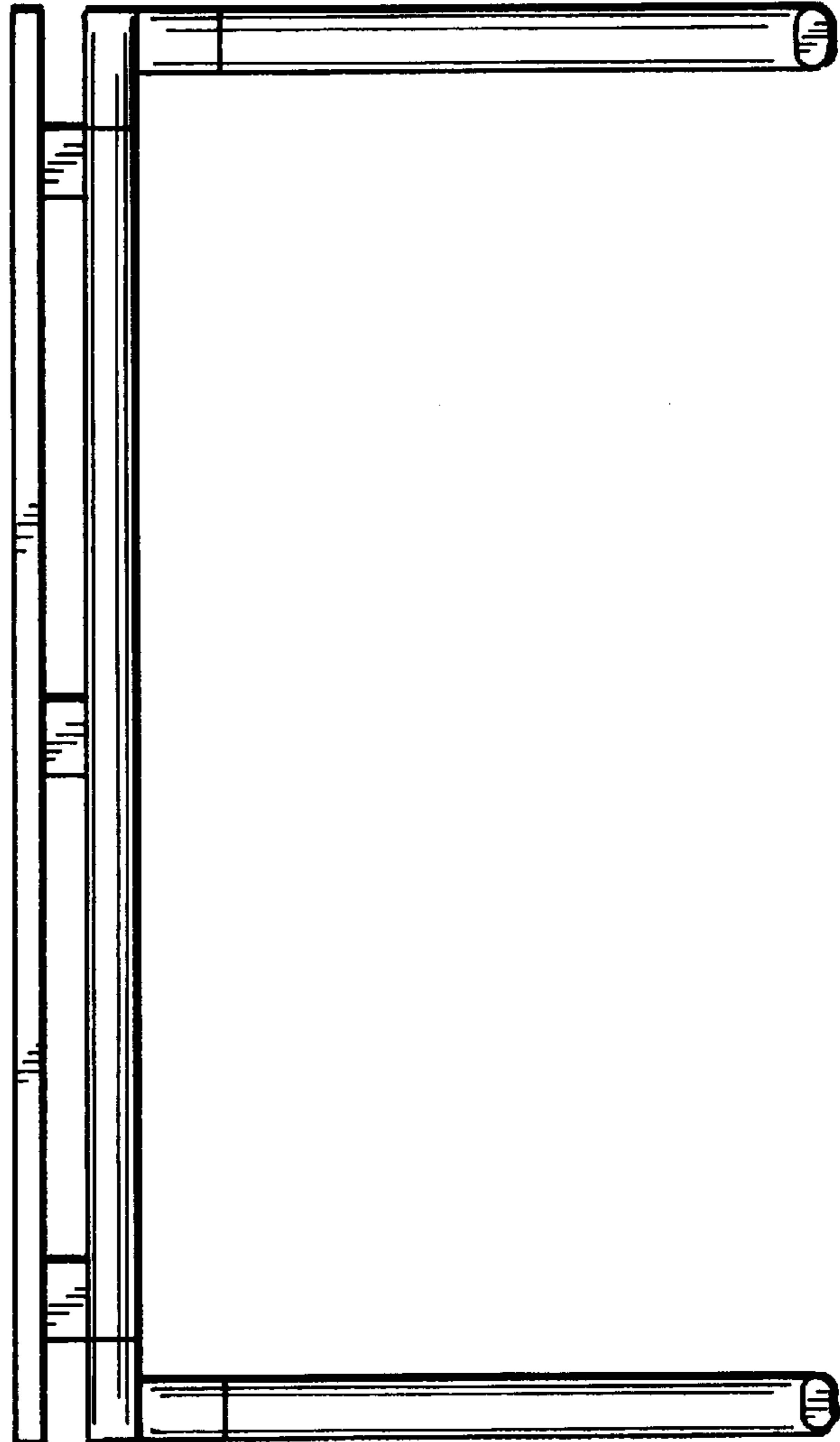


FIG. 5

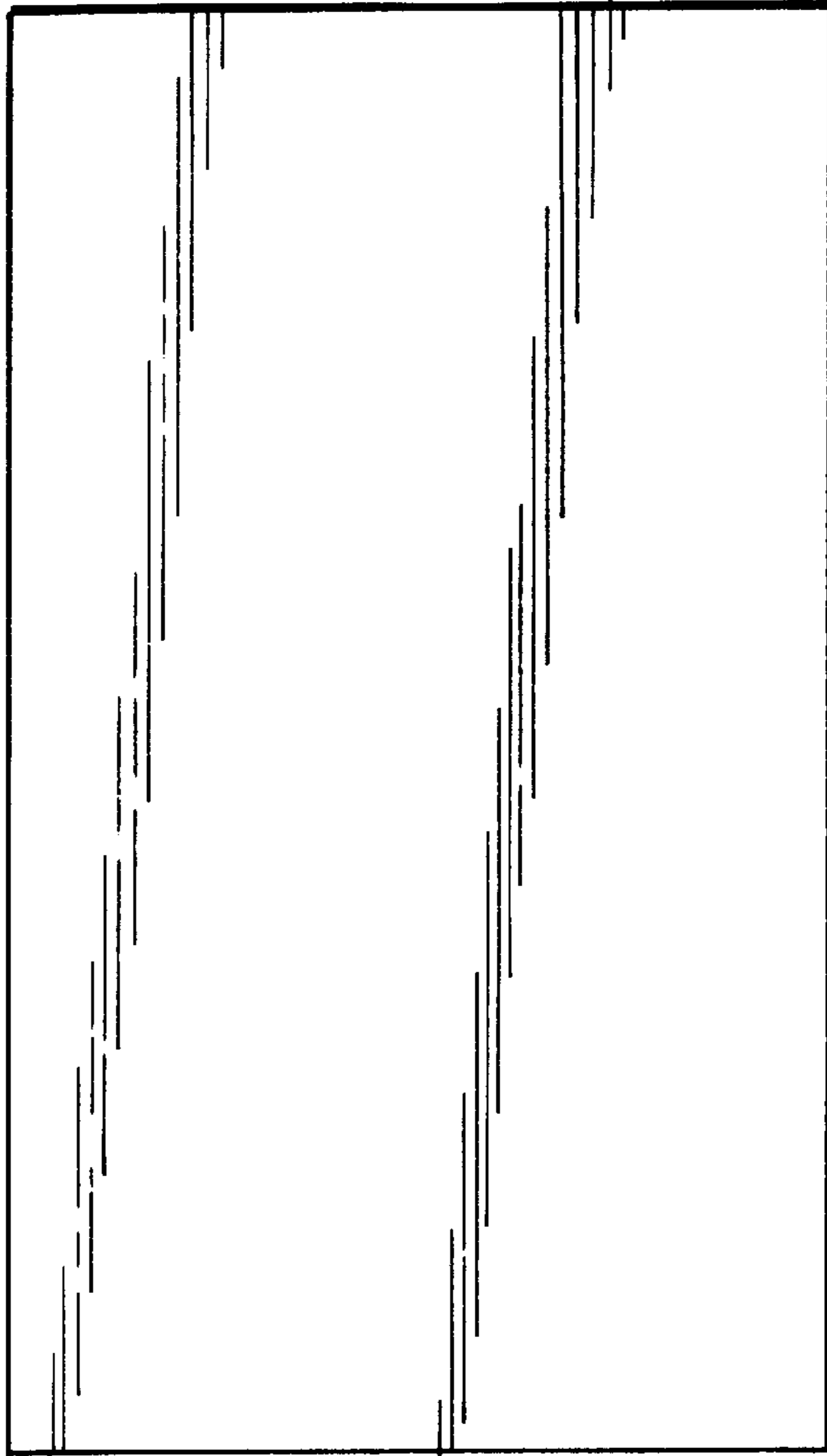


FIG. 4

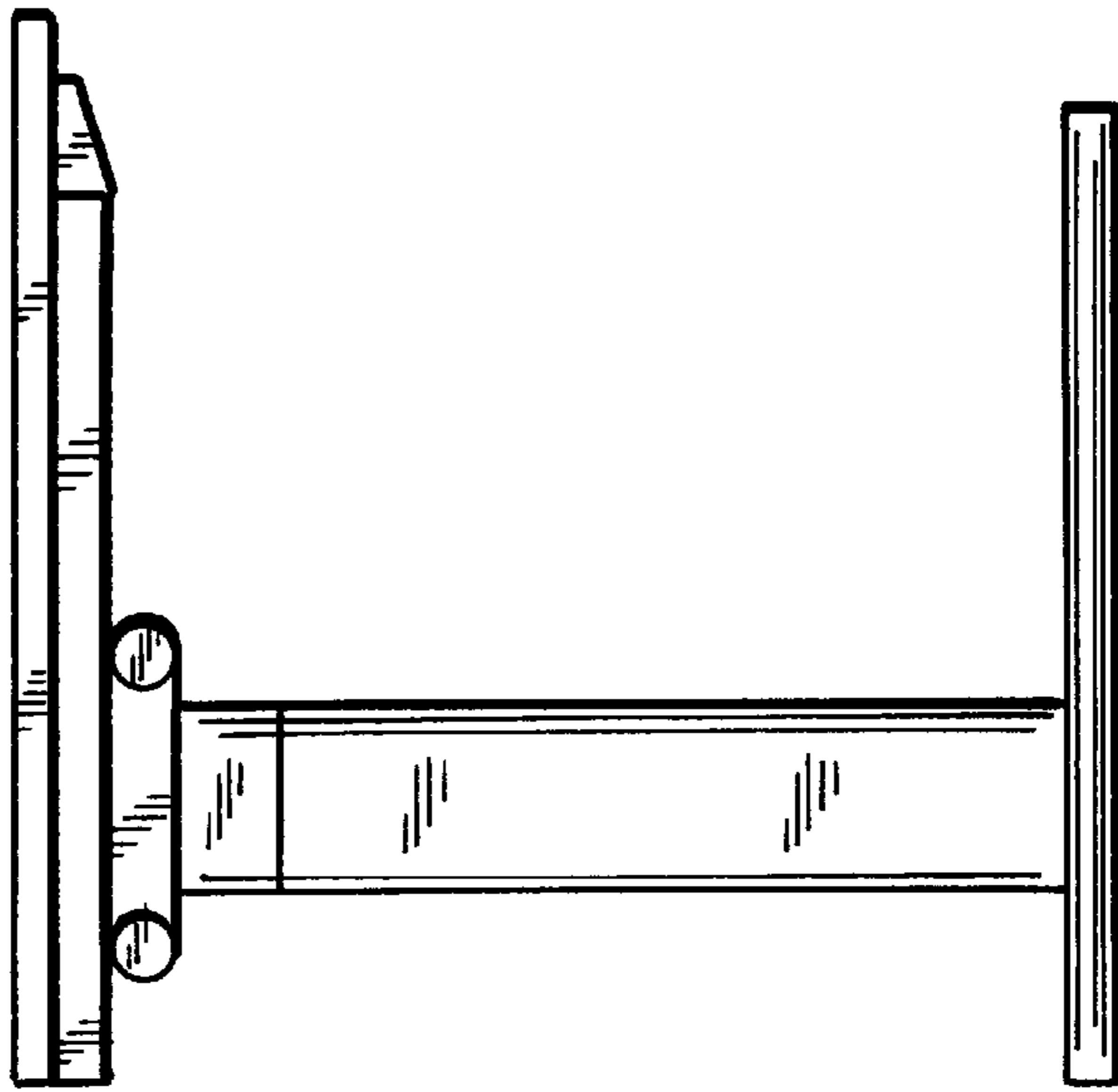


FIG. 6

