



US00D399073S

United States Patent [19]

Natuzzi et al.

[11] Patent Number: Des. 399,073

[45] Date of Patent: **Oct. 6, 1998

[54] SEAT

[75] Inventors: Pasquale Natuzzi; Arcangelo Scarati, both of Santeramo In Colle, Italy

[73] Assignee: Industrie Natuzzi, Spa, Santeramo, Italy

[**] Term: 14 Years

[21] Appl. No.: 76,642

[22] Filed: Sep. 15, 1997

[51] LOC (6) Cl. 06-01

[52] U.S. Cl. D6/381; D6/334

[58] Field of Search D6/334, 335, 364, D6/371, 373, 381, 500, 501, 502; 297/232, 445.1

[56] References Cited

U.S. PATENT DOCUMENTS

| | | | |
|------------|---------|---------------------|--------|
| D. 353,061 | 12/1994 | Natuzzi et al. | D6/381 |
| D. 367,180 | 2/1996 | Natuzzi et al. | D6/381 |
| D. 373,484 | 9/1996 | Natuzzi et al. | D6/381 |
| D. 383,619 | 9/1997 | Culler | D6/381 |
| D. 388,631 | 1/1998 | Natuzzi et al. | D6/381 |
| D. 388,970 | 1/1998 | Natuzzi et al. | D6/381 |

OTHER PUBLICATIONS

Hecht's advertisement, front cover, Natuzzi sofa shown, Feb. 14, 1997.

Natuzzi Model 731, Oct. 1989, at International Home Furnishings Market in High Point, North Carolina.

Natuzzi Model 782, Oct. 1990, at International Home Furnishings Market in High Point, North Carolina.

Natuzzi Model 966, Sep. 1992, at International Home Furnishings Market in High Point, North Carolina.

Natuzzi Model 990, Oct., 1992, at International Home Furnishings Market in High Point, North Carolina.

Natuzzi Model 1056, May, 1993, at International Home Furnishings Market in High Point, North Carolina.

Natuzzi Model 1066, Sep. 1993, at International Home Furnishings Market in High Point, North Carolina.

Natuzzi Model 1090, Sep. 1993, at International Home Furnishings Market in High Point, North Carolina.

Natuzzi Model 1096, Sep. 1993, at International Home Furnishings Market in High Point, North Carolina.

Natuzzi Model 1114, Oct. 1993, at International Home Furnishings Market in High Point, North Carolina.

Natuzzi Model 1117, Jan. 1994, at International Home Furnishings Market in High Point, North Carolina.

Natuzzi Model 1132, Jan. 1994, at International Home Furnishings Market in High Point, North Carolina.

Natuzzi Model 1136, Apr. 1994, at International Home Furnishings Market in High Point, North Carolina.

Natuzzi Model 1140, Apr. 1994, at International Home Furnishings Market in High Point, North Carolina.

Natuzzi Model 1157, Apr. 1994, at International Home Furnishings Market in High Point, North Carolina.

(List continued on next page.)

Primary Examiner—Gary D. Watson
Attorney, Agent, or Firm—Bell Seltzer Intellectual Property Law Group of Alston & Bird LLP

[57] CLAIM

The ornamental design for a seat, as shown and described.

DESCRIPTION

FIG. 1 is a front perspective view of a seat showing our new design in the form of a sofa;

FIG. 2 is a front elevational view thereof;

FIG. 3 is a top plan view thereof;

FIG. 4 is a right side elevational view, the left side being a mirror image thereof;

FIG. 5 is a rear perspective view thereof;

FIG. 6 is a front elevational view of a seat showing our new design in the form of a loveseat; and,

FIG. 7 is a front elevational view of a seat showing our new design in the form of a chair.

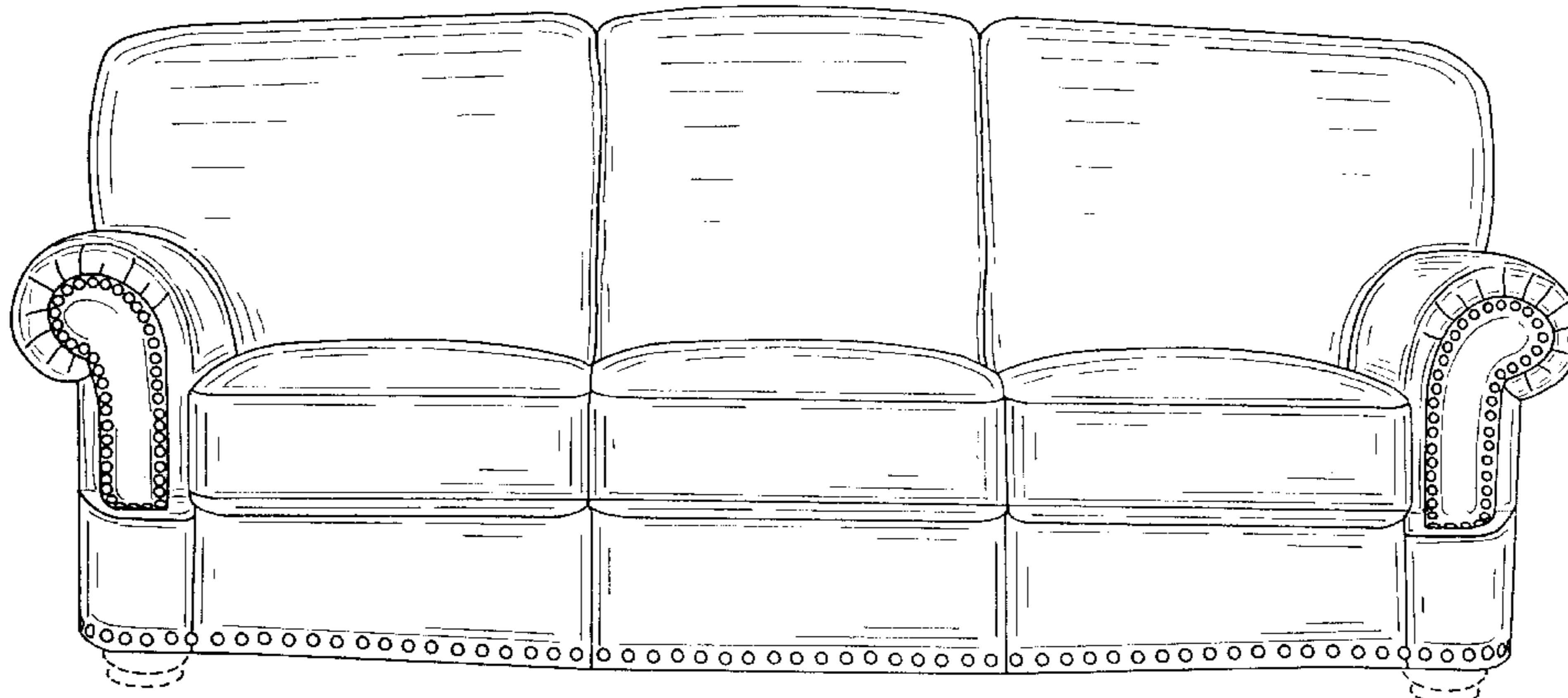
The broken lines shown herein are for illustrative purposes only and form no part of the claimed design.

The rear views of FIGS. 6 and 7 are like FIG. 5, the difference being a matter of length.

The end views of FIGS. 6 and 7 are like FIG. 4.

FIGS. 1 and 5 have been shown on an enlarged scale with respect to the other views.

1 Claim, 3 Drawing Sheets



OTHER PUBLICATIONS

Natuzzi Model 1183 Apr. 1994, at International Home Furnishings Market in High Point, North Carolina.

Natuzzi Model 1188, Apr. 1994, at International Home Furnishings Market in High Point, North Carolina.

Natuzzi Model 1190, Apr. 1994, at International Home Furnishings Market in High Point, North Carolina.

Natuzzi Model 1201, Oct. 1994, at International Home Furnishings Market in High Point, North Carolina.

Natuzzi Model 1293, Mar. 1995, at International Home Furnishings Market in High Point, North Carolina.

Natuzzi Model 1346, Sep. 1995, at International Home Furnishings Market in High Point, North Carolina.

Natuzzi Model 1433, Mar. 1996, at International Home Furnishings Market in High Point, North Carolina.

Natuzzi Model 1436, Mar. 1996, at International Home Furnishings Market in High Point, North Carolina.

Natuzzi Model 1450, Mar. 1996, at International Home Furnishings Market in High Point, North Carolina.

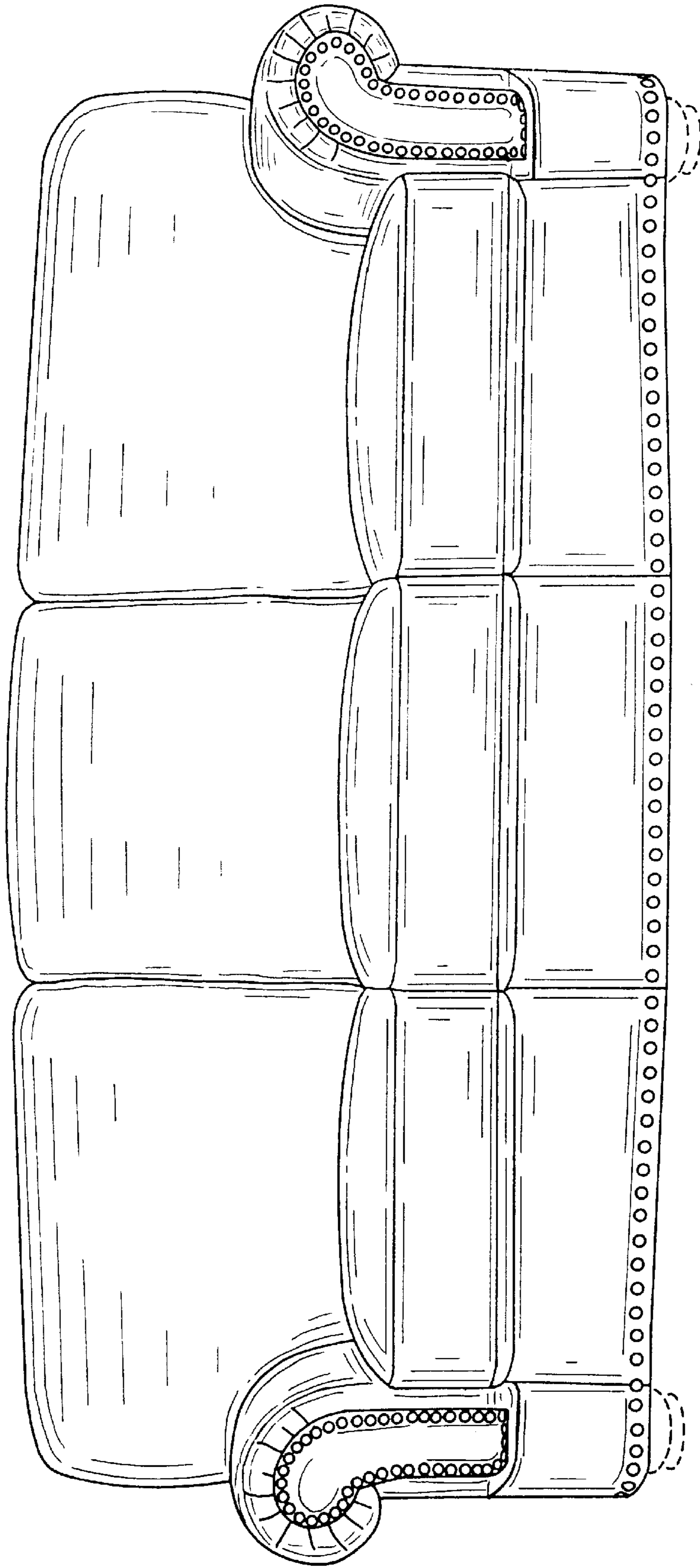


FIG. 1.

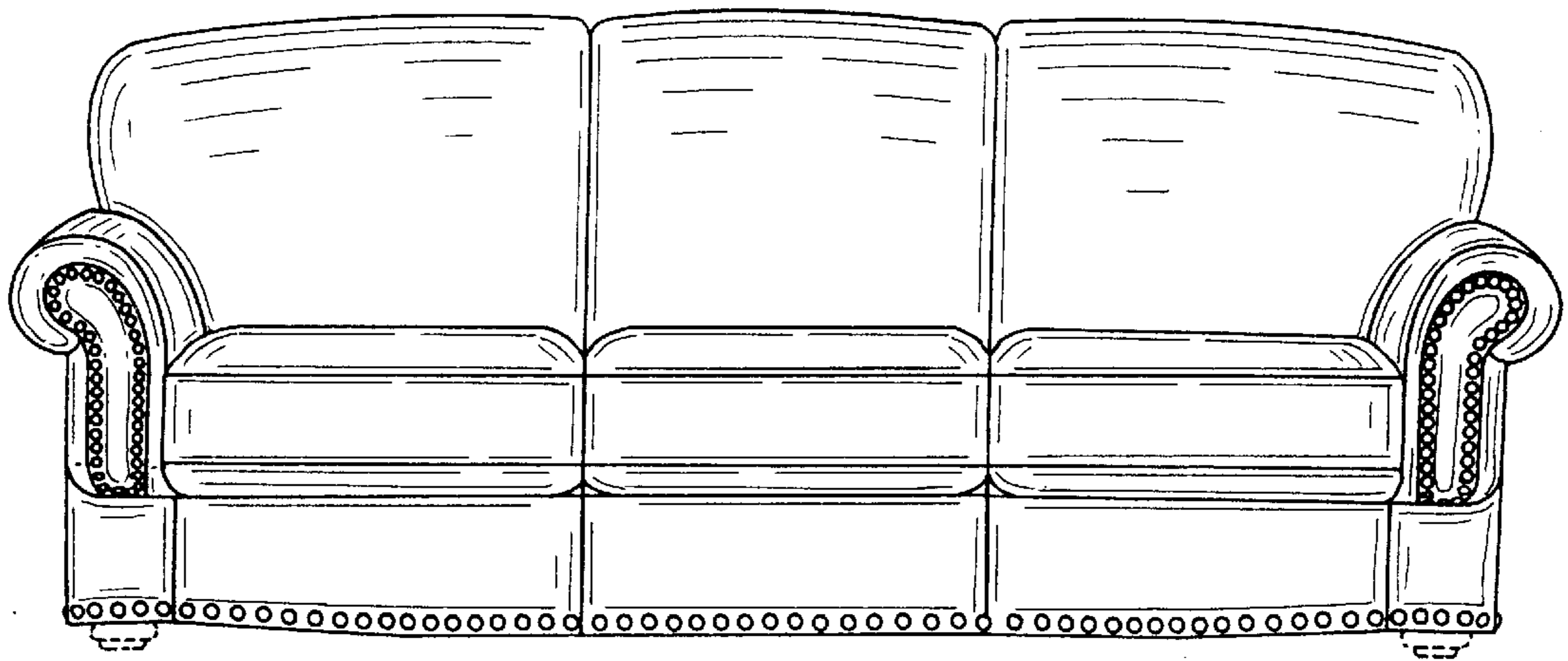


FIG. 2.



FIG. 3.

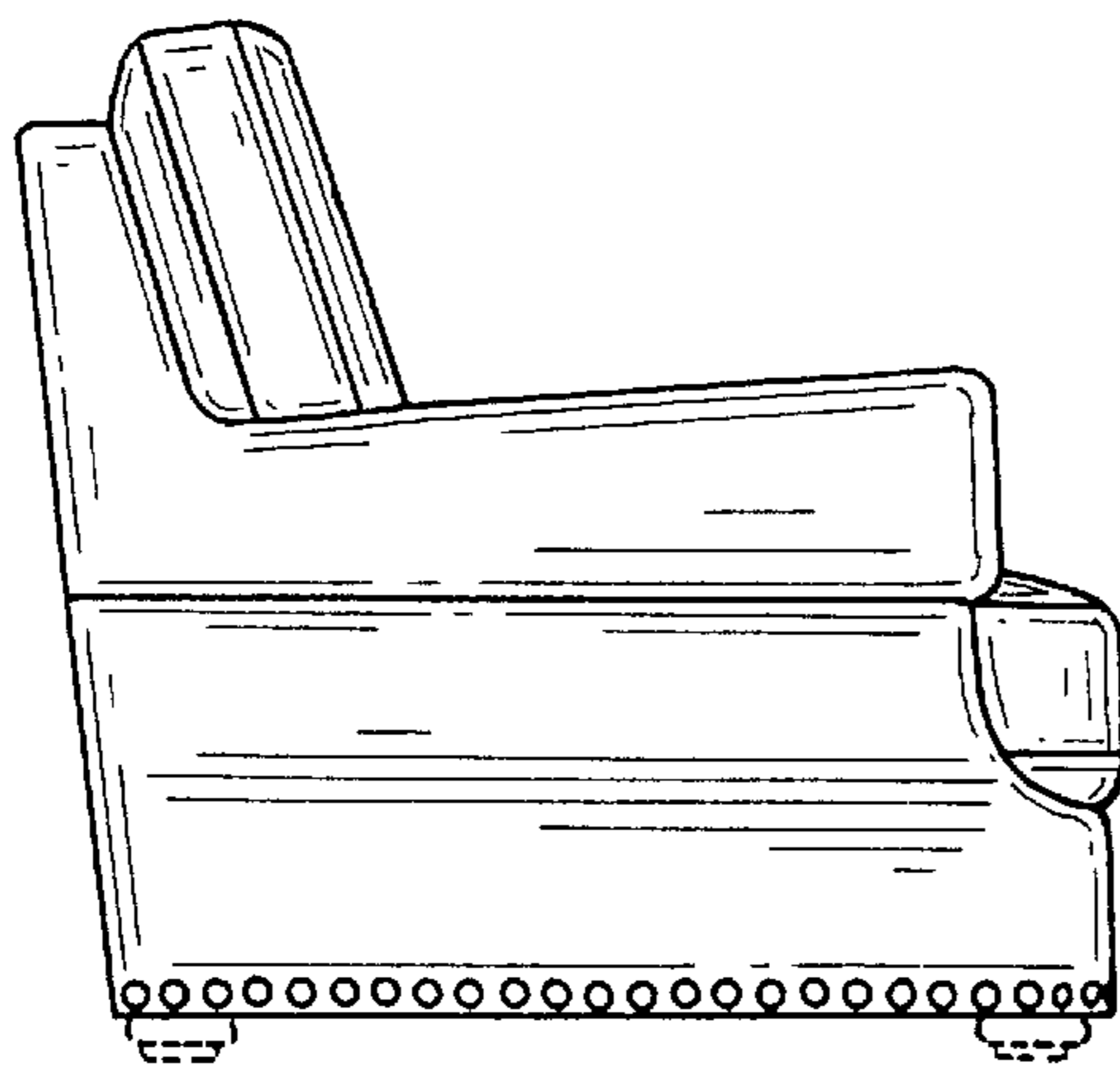


FIG. 4.

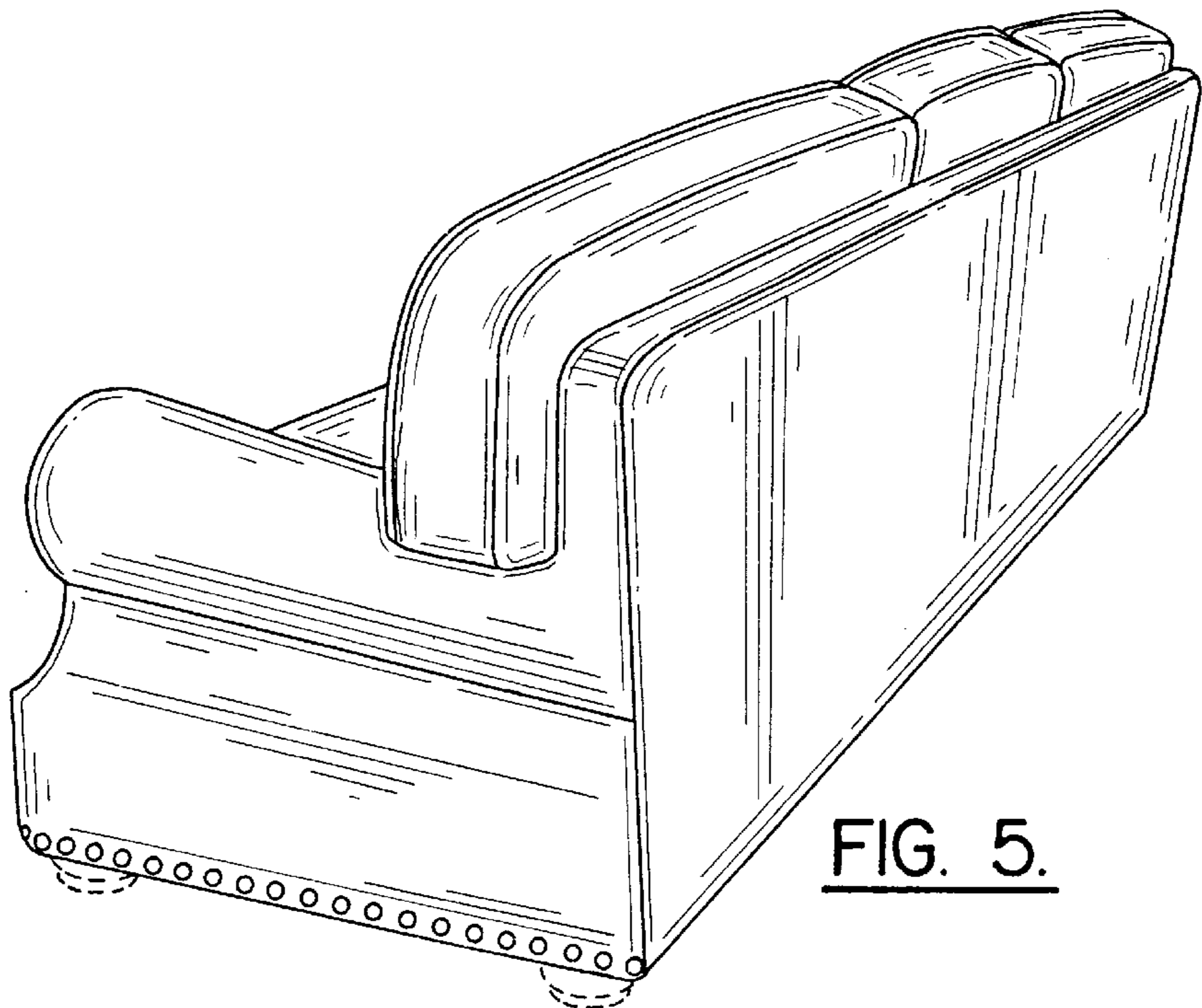


FIG. 5.

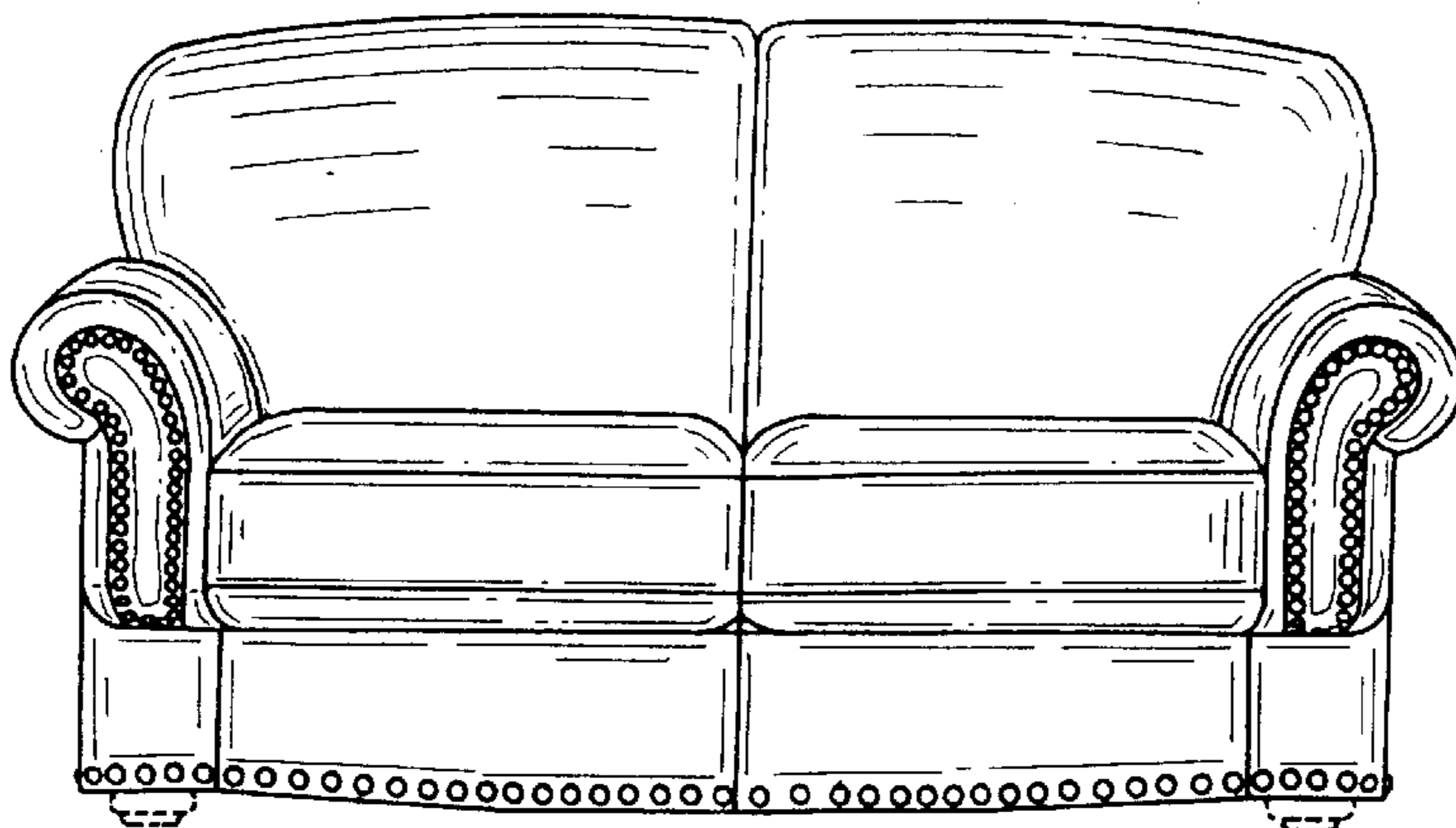


FIG. 6.

FIG. 7.

