



US00D399067S

United States Patent [19]
Harrison

[11] **Patent Number: Des. 399,067**

[45] **Date of Patent: **Oct. 6, 1998**

[54] **COMPACT HEIGHT ADJUSTABLE BENCH**

[75] Inventor: **Thomas F. Harrison**, Listowel, Canada

[73] Assignee: **Tom Harrison**, Listowel, Canada

[**] Term: **14 Years**

[21] Appl. No.: **78,502**

[22] Filed: **Oct. 27, 1997**

[51] **LOC (6) Cl. 06-01**

[52] **U.S. Cl. D6/353; D6/349; D6/480**

[58] **Field of Search** D6/480-489, 349-353,
D6/355, 429; 108/144, 146, 148, 153, 155,
156, 157, 161; 248/188.1, 188.8, 405, 407

[56] **References Cited**

U.S. PATENT DOCUMENTS

D. 364,281	11/1995	Eason	D6/349
652,517	6/1900	Laurent	108/153.1
872,498	12/1907	Cleveland	108/146
5,601,036	2/1997	Kieser	108/148

OTHER PUBLICATIONS

Brill Pine, p. 24, #340 bench.

Primary Examiner—Janice E. Seeger

[57] **CLAIM**

The ornamental design for a compact height adjustable bench, as shown and described.

DESCRIPTION

FIG. 1 is a perspective view of a compact height adjustable bench showing my new design;

FIG. 2 is a front elevational view thereof the rear being identical thereto;

FIG. 3 is a left side elevational view thereof, showing the fully extended position, the right side being an identical image;

FIG. 4 is a left side elevational view thereof, showing the fully collapsed position, the right side being an identical image;

FIG. 5 is a bottom plan view thereof;

FIG. 6 is a perspective view of one variation of the design thereof;

FIG. 7 is a front elevational view of one variation of the design thereof the rear being identical thereto;

FIG. 8 is a left side elevational view of one variation of the design thereof, showing the fully extended position, the right side being an identical image;

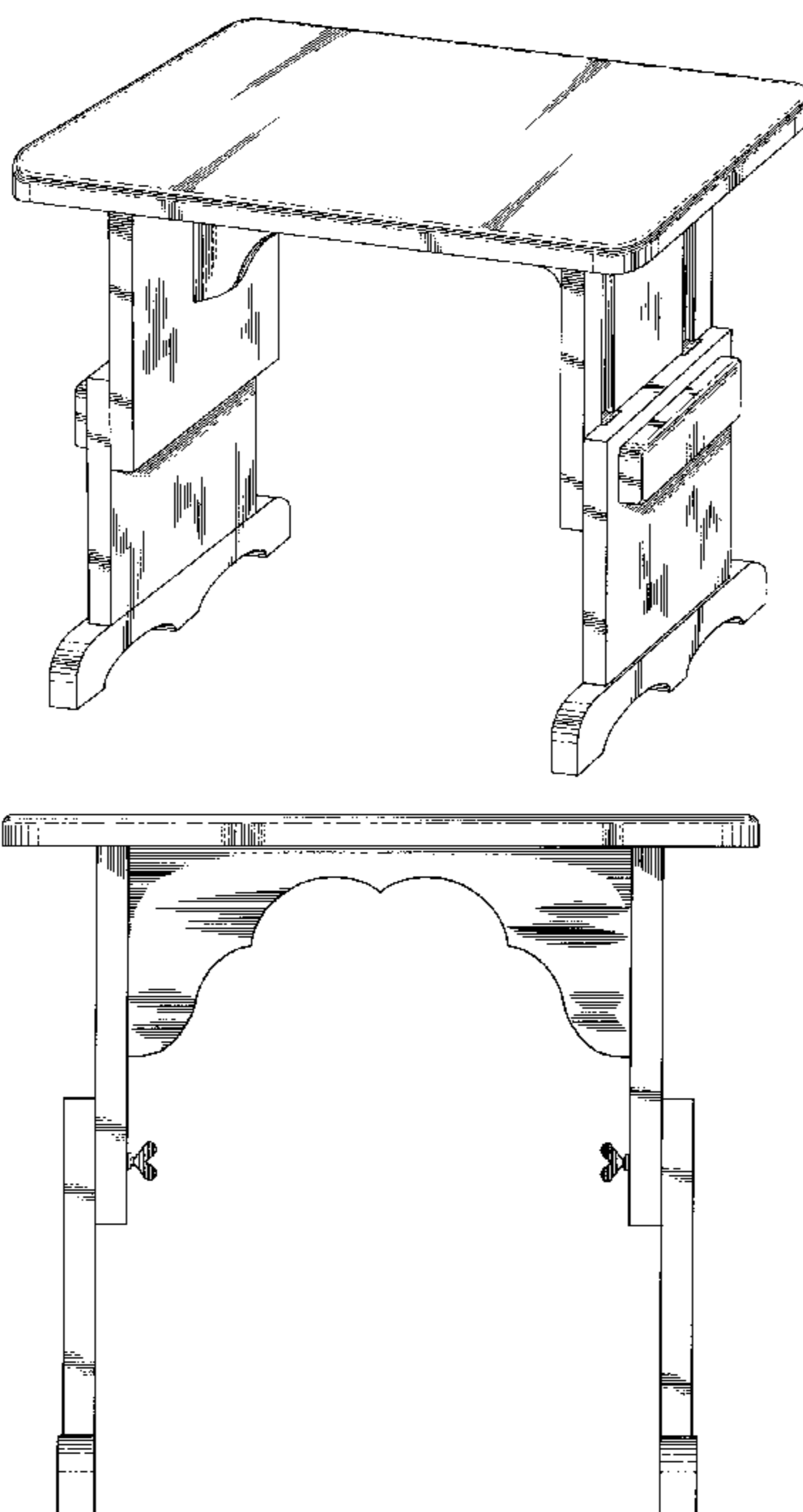
FIG. 9 is a left side elevational view of one variation of the design thereof, showing the fully collapsed position, the right side being an identical image;

FIG. 10 is a perspective view of a second variation of the design thereof;

FIG. 11 is a front elevational view of a second variation of the design thereof the rear being identical thereto; and,

FIG. 12 is a bottom plan view of a second variation of the design thereof.

1 Claim, 10 Drawing Sheets



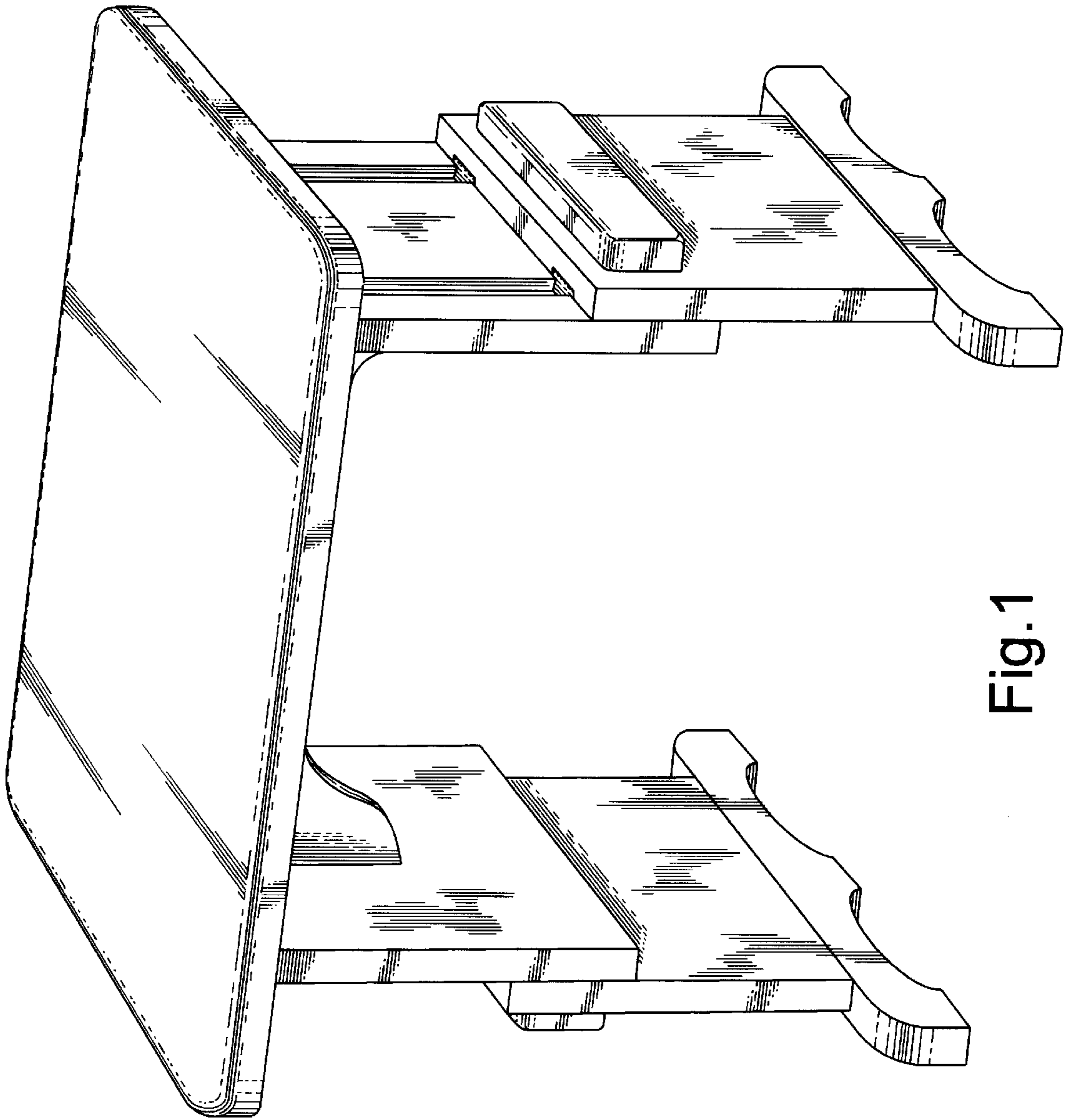


Fig.1

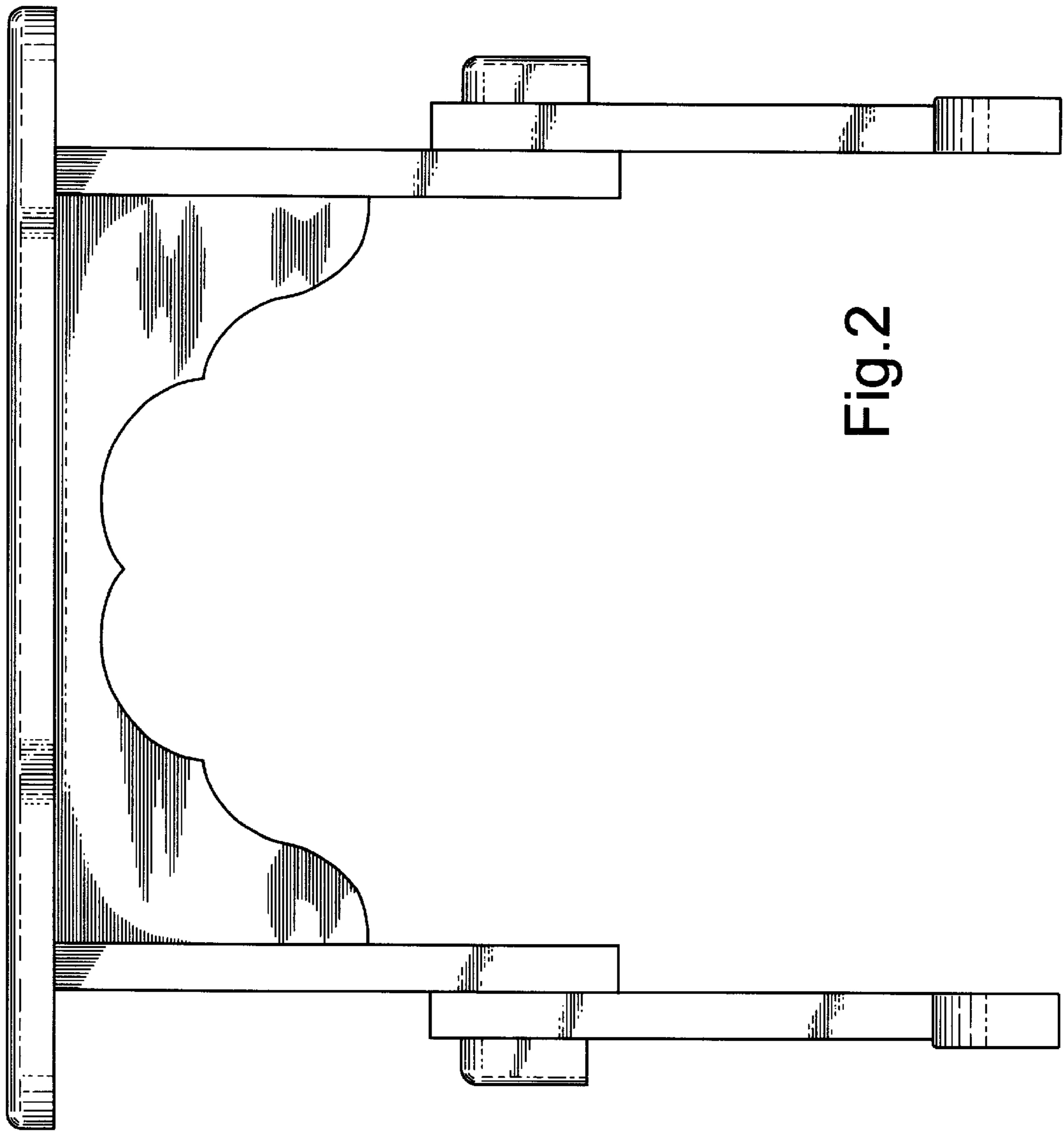


Fig. 2

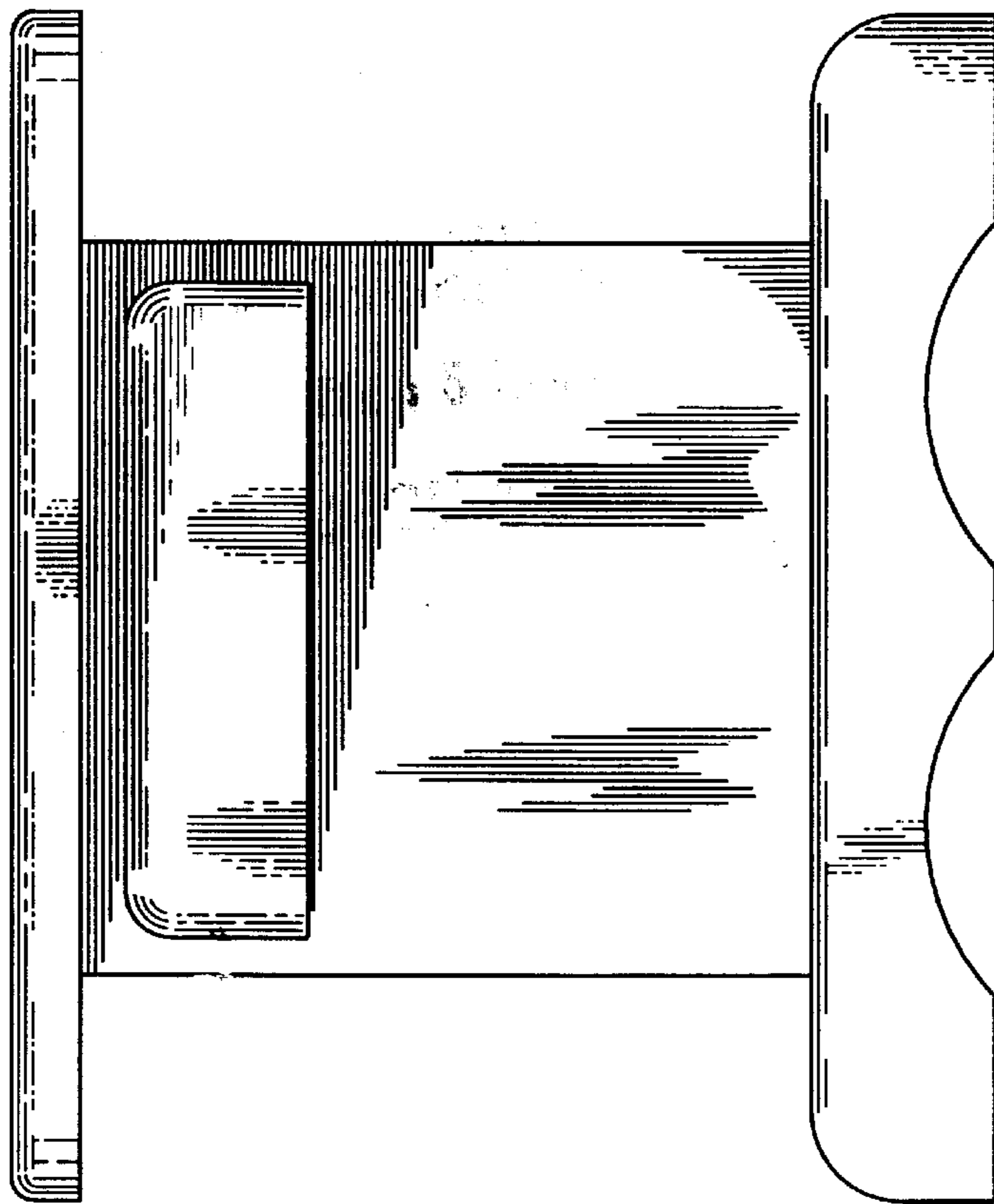


Fig.4

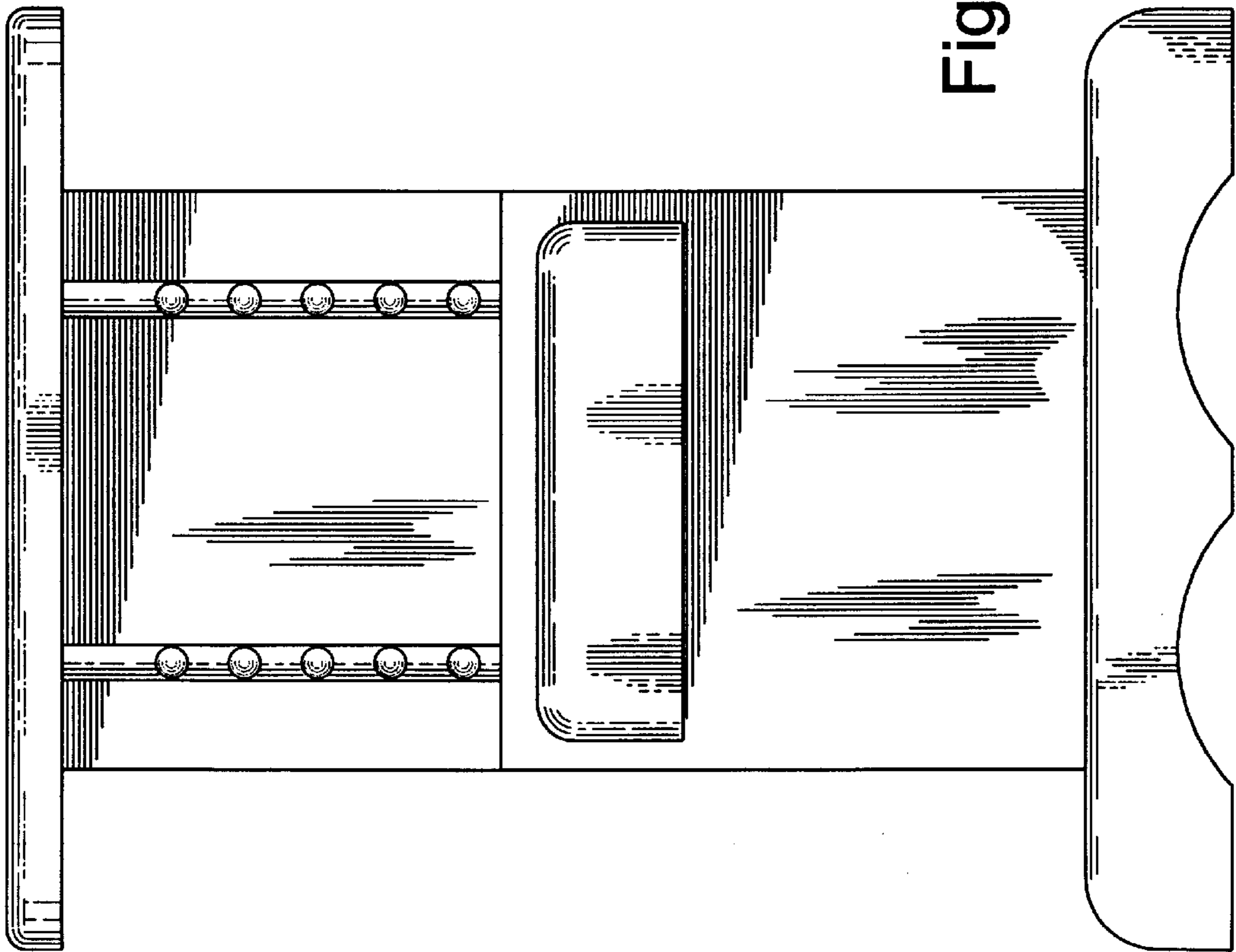


Fig.3

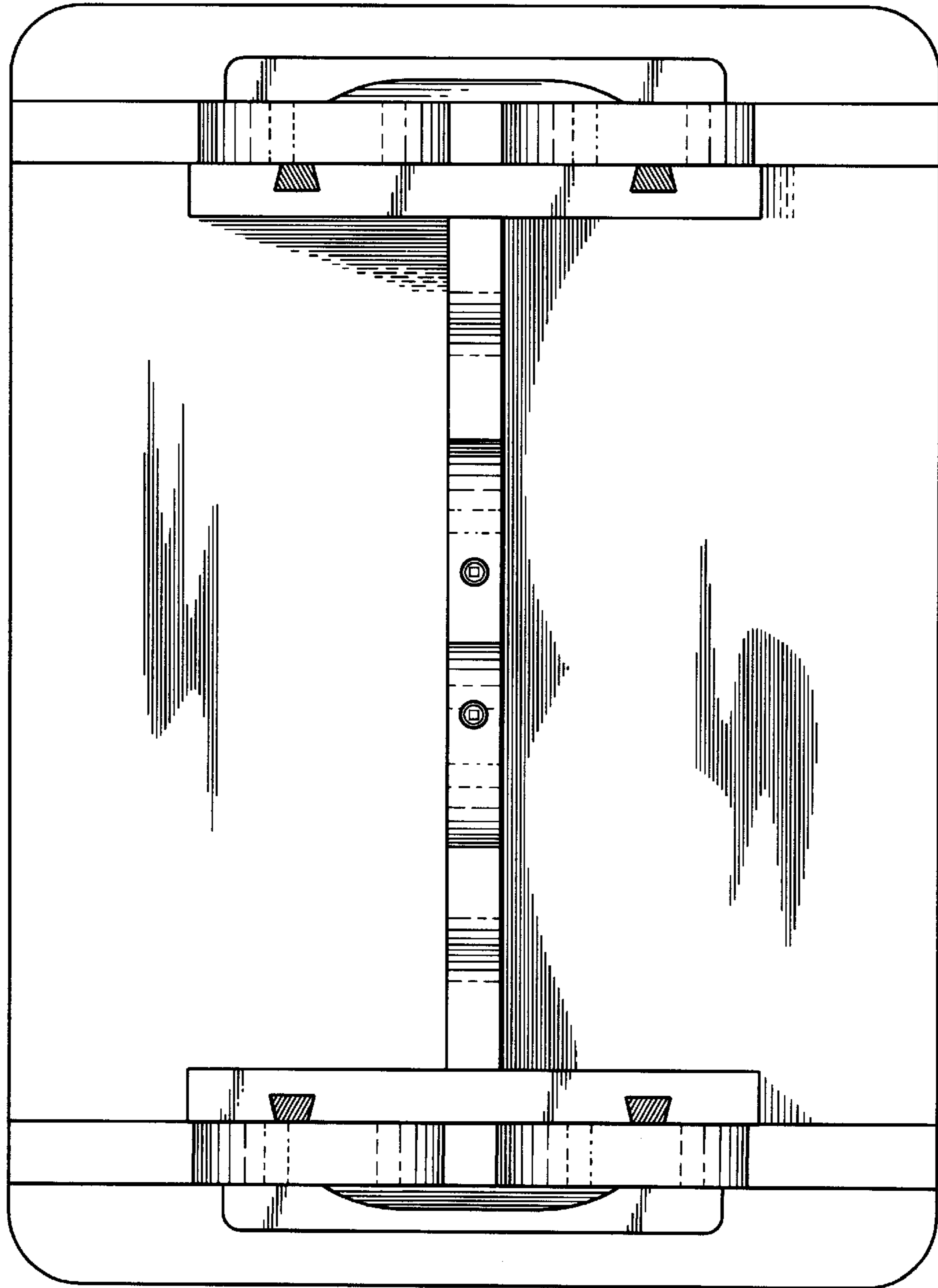


Fig.5

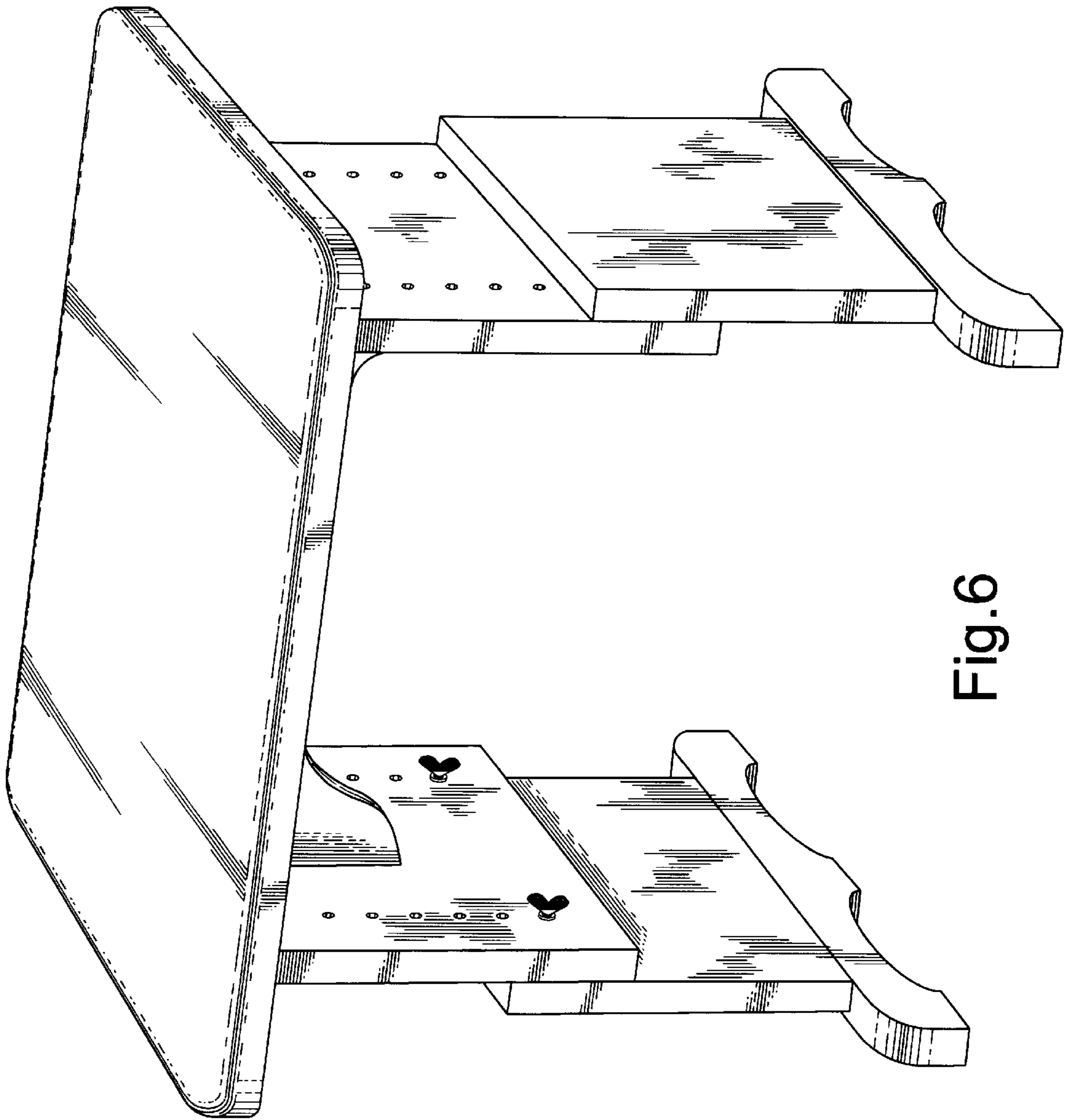


Fig. 6

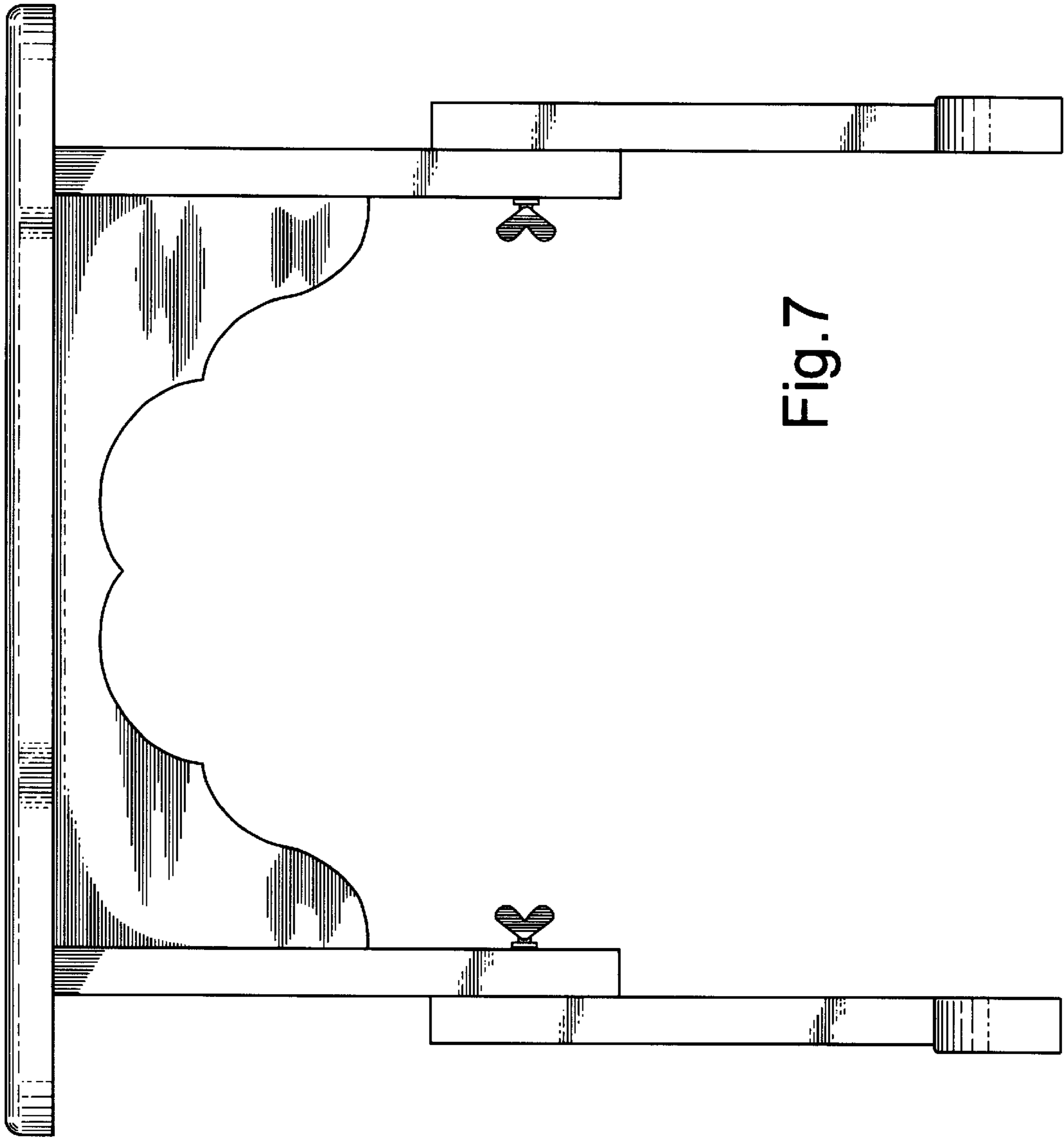


Fig. 7

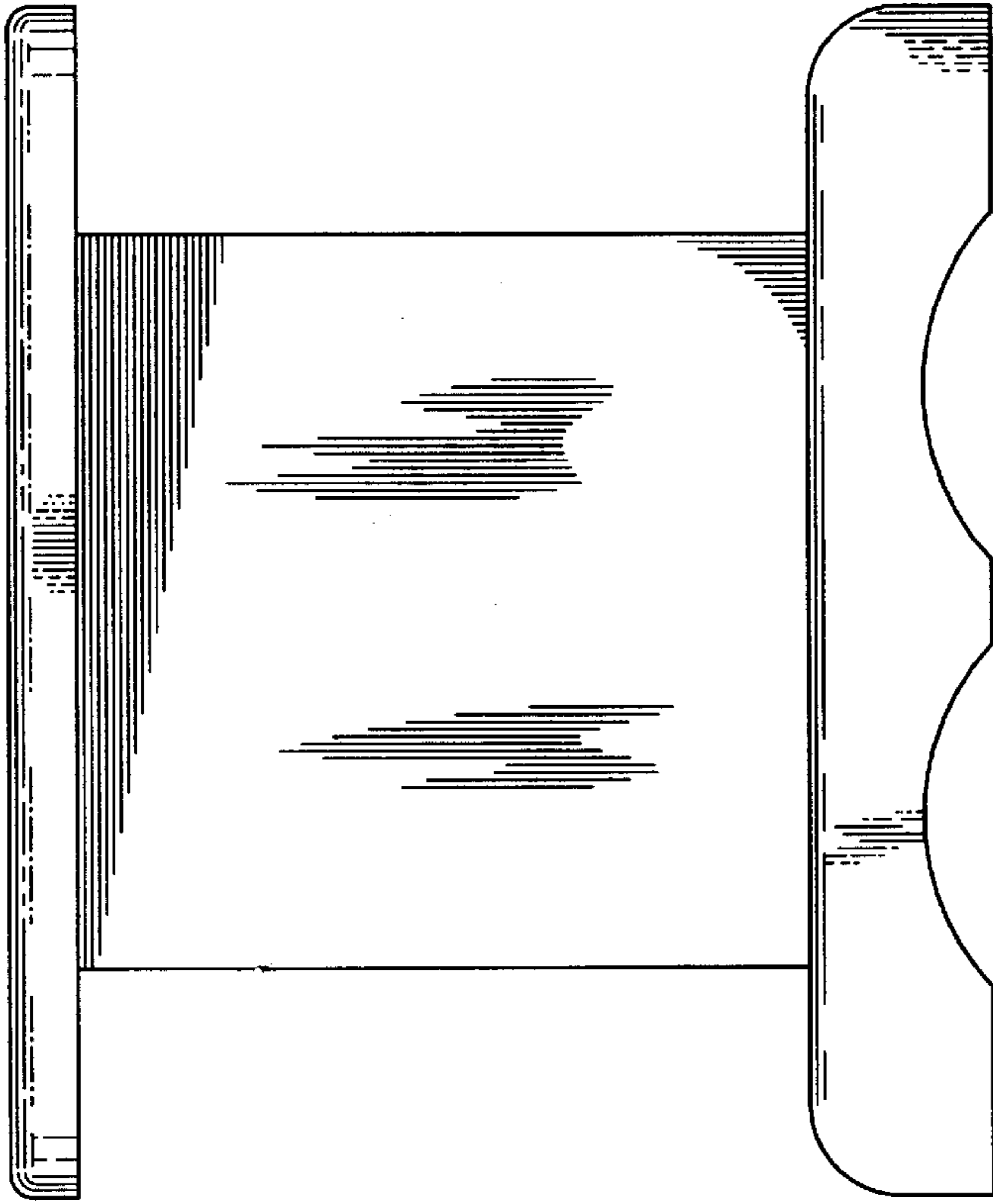


Fig. 9

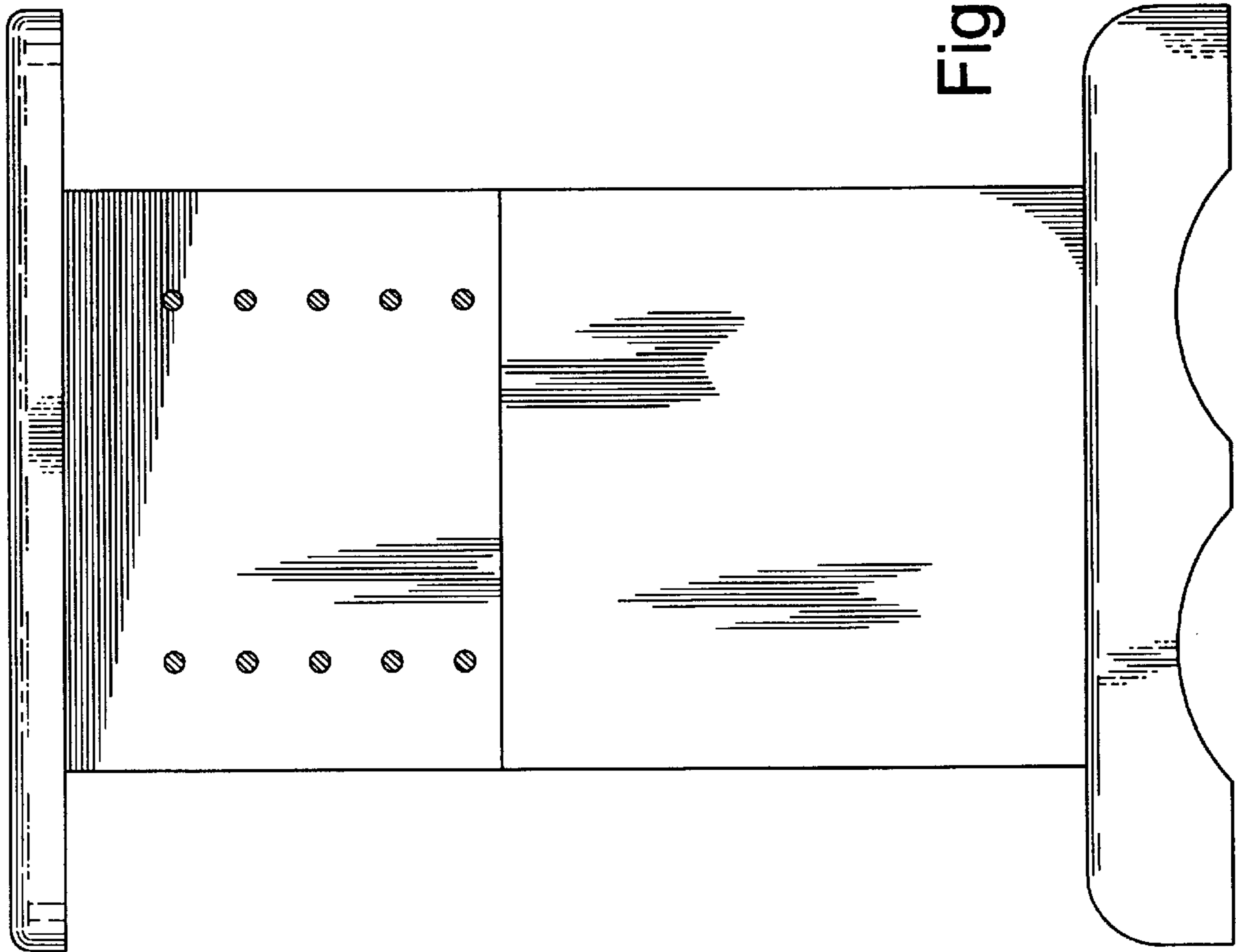


Fig. 8

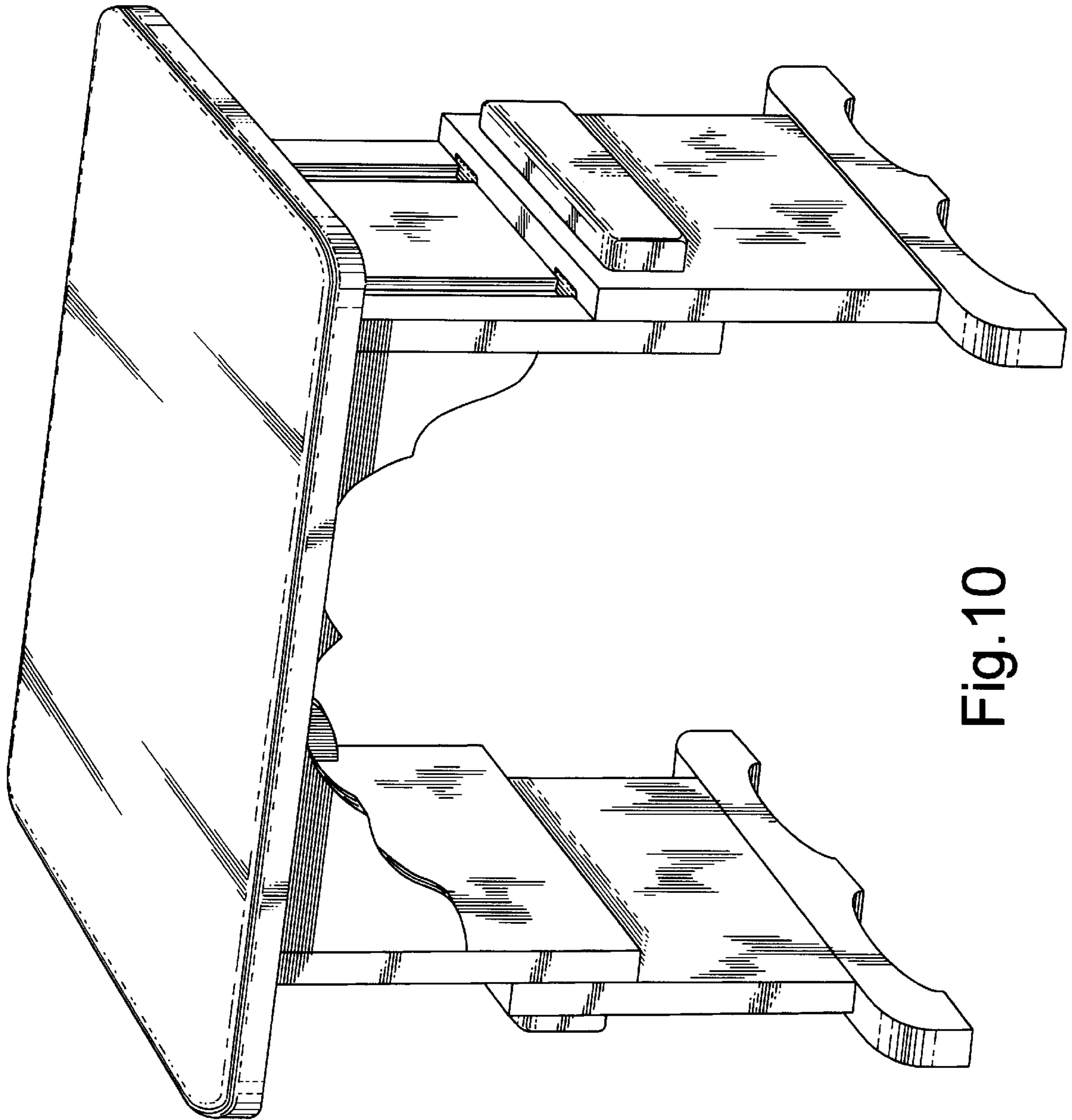


Fig.10

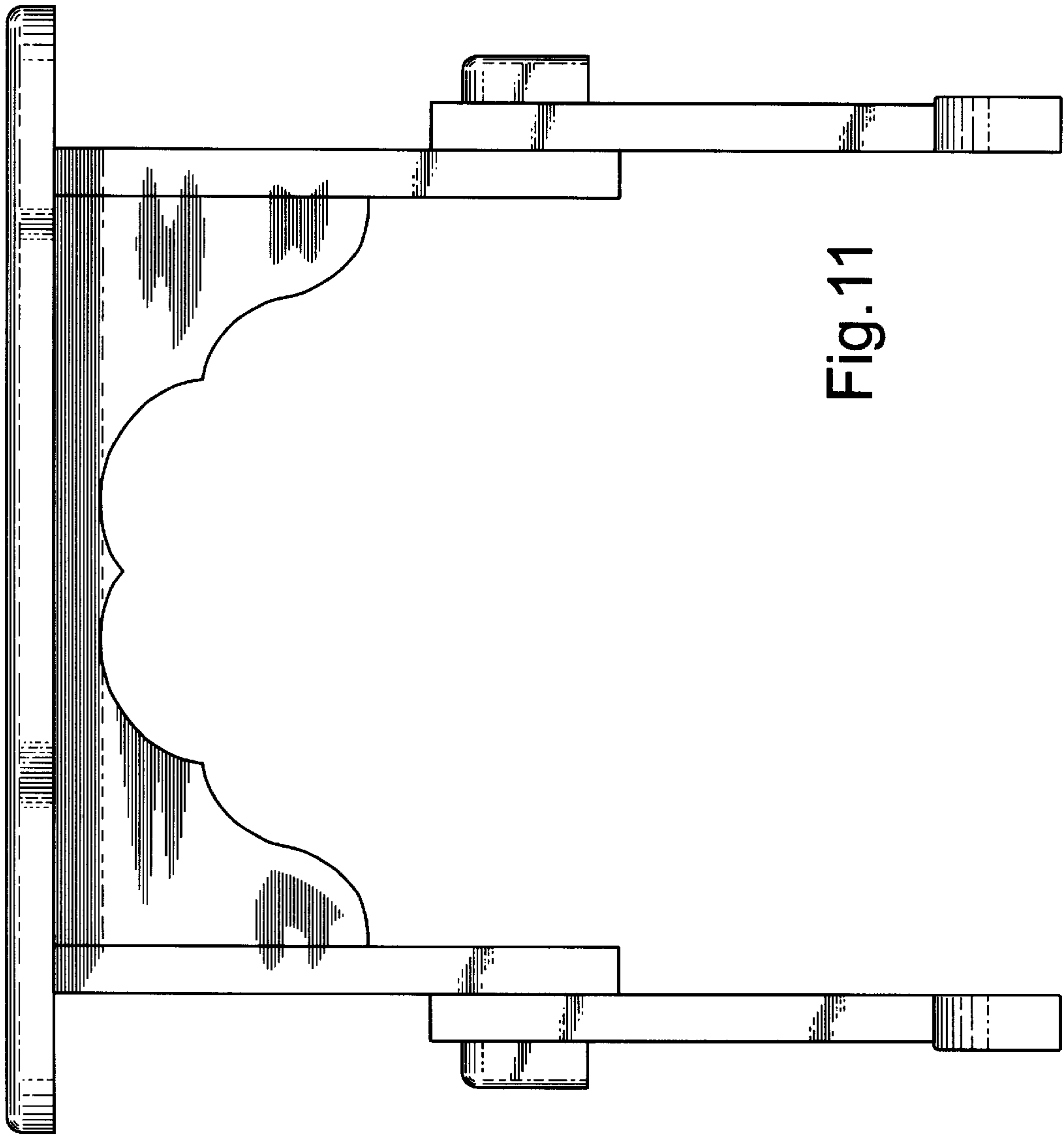


Fig. 11

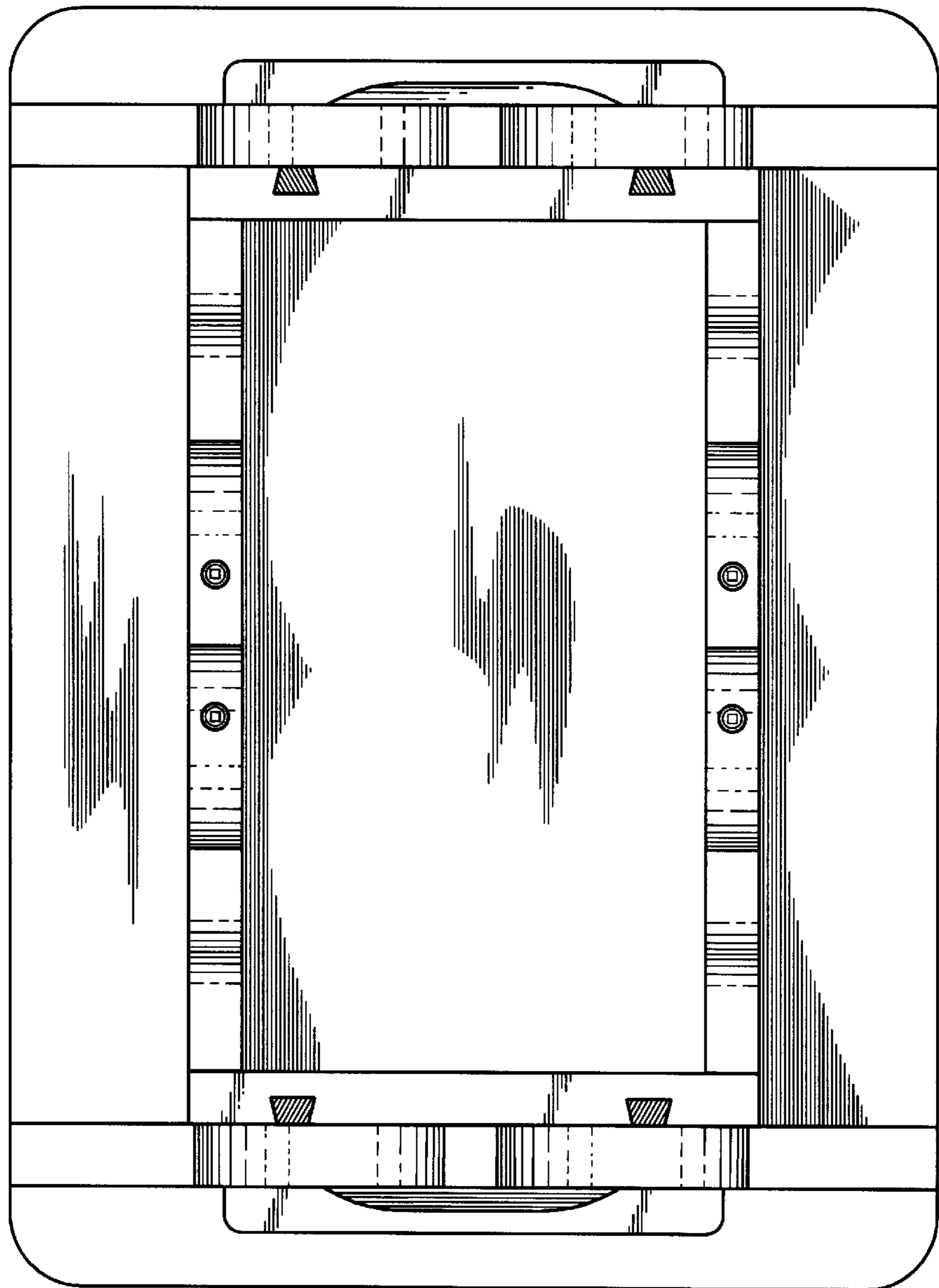


Fig.12