



US00D399061S

United States Patent [19]

Apps et al.

[11] **Patent Number: Des. 399,061**

[45] **Date of Patent: **Oct. 6, 1998**

[54] **HANDLE FOR NESTABLE CRATE**

3,384,261 5/1968 Austin 220/771 X
4,928,841 5/1990 Arthurs 220/519 X

[75] Inventors: **William P. Apps**, Alpharetta; **Gerald R. Koefeld**, Atlanta, both of Ga.

Primary Examiner—Ted Shooman
Assistant Examiner—Richelle Shelton
Attorney, Agent, or Firm—Banner & Witcoff, Ltd.

[73] Assignee: **Rehrig Pacific Company, Inc.**, Los Angeles, Calif.

[**] Term: **14 Years**

[57] CLAIM

[21] Appl. No.: **70,625**

The ornamental design for a handle for nestable crate, as shown and described.

[22] Filed: **May 12, 1997**

DESCRIPTION

Related U.S. Application Data

[60] Division of Ser. No. 37,636, Apr. 18, 1995, Pat. No. Des. 379,121, which is a continuation-in-part of Ser. No. 18,317, Feb. 3, 1994, Pat. No. Des. 361,431.

FIG. 1 is a side elevational view of a handle for nestable crate in accordance with our new design, the opposite side being a mirror image thereof;

[51] **LOC (6) Cl.** **03-99**

[52] **U.S. Cl.** **D3/318; D3/312**

FIG. 2 is an end elevational view of the handle for nestable crate of FIG. 1;

[58] **Field of Search** D3/304, 307-314, D3/318; D9/341, 424, 425; 206/427, 429, 515, 519, 557, 562, 564; 220/509, 516, 669, 670, 672, 673, DIG. 2, DIG. 12, DIG. 15, 752, 769, 770, 771

FIG. 3 is a top plan view of the handle for nestable crate of FIG. 1;

FIG. 4 is a bottom plan view of the handle for nestable crate of FIG. 1;

FIG. 5 is a cross sectional view of the handle for nestable crate taken along line 5-5 of FIG. 3; and,

FIG. 6 is an elevational view of the interior of the handle for the nestable crate of FIG. 1.

[56] References Cited

U.S. PATENT DOCUMENTS

D. 208,331 8/1967 Gehl et al. D3/312

1 Claim, 3 Drawing Sheets

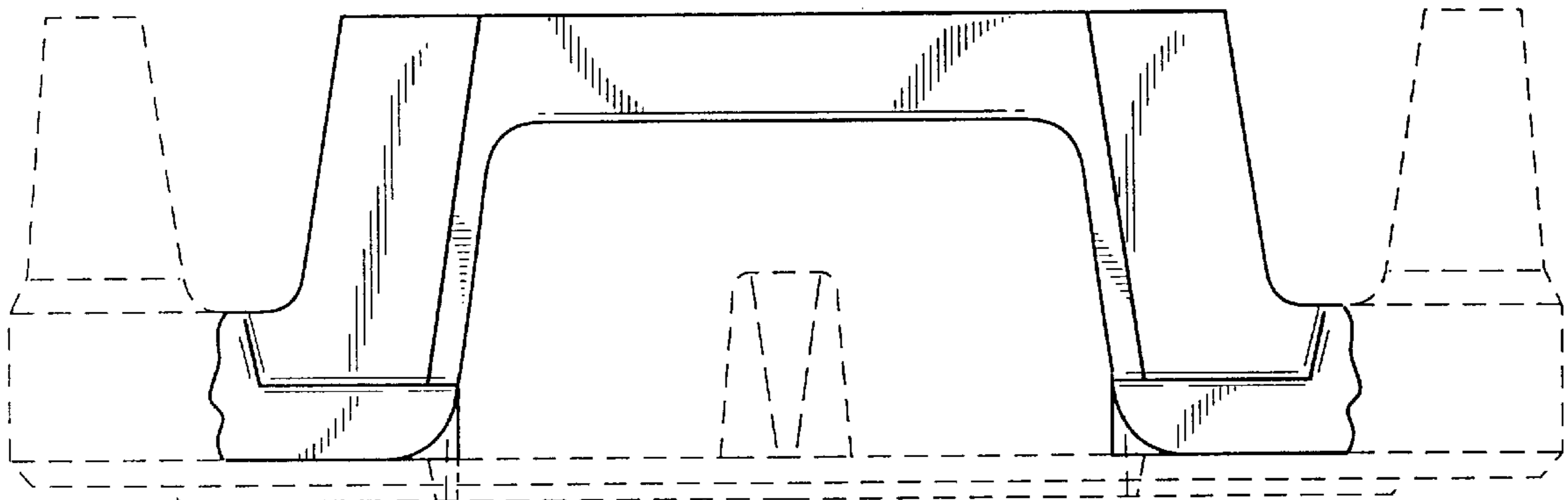


FIG. 1

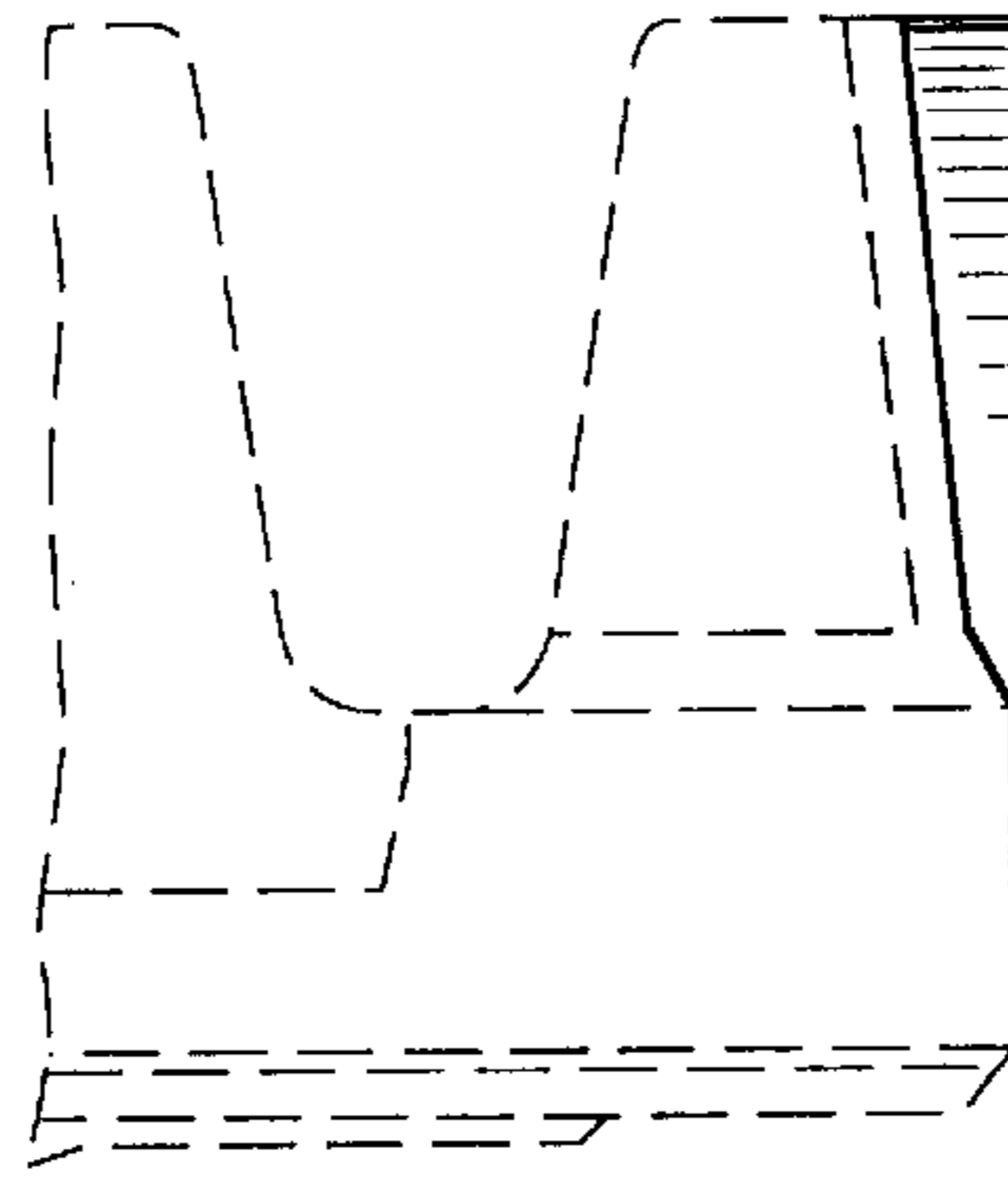


FIG. 2

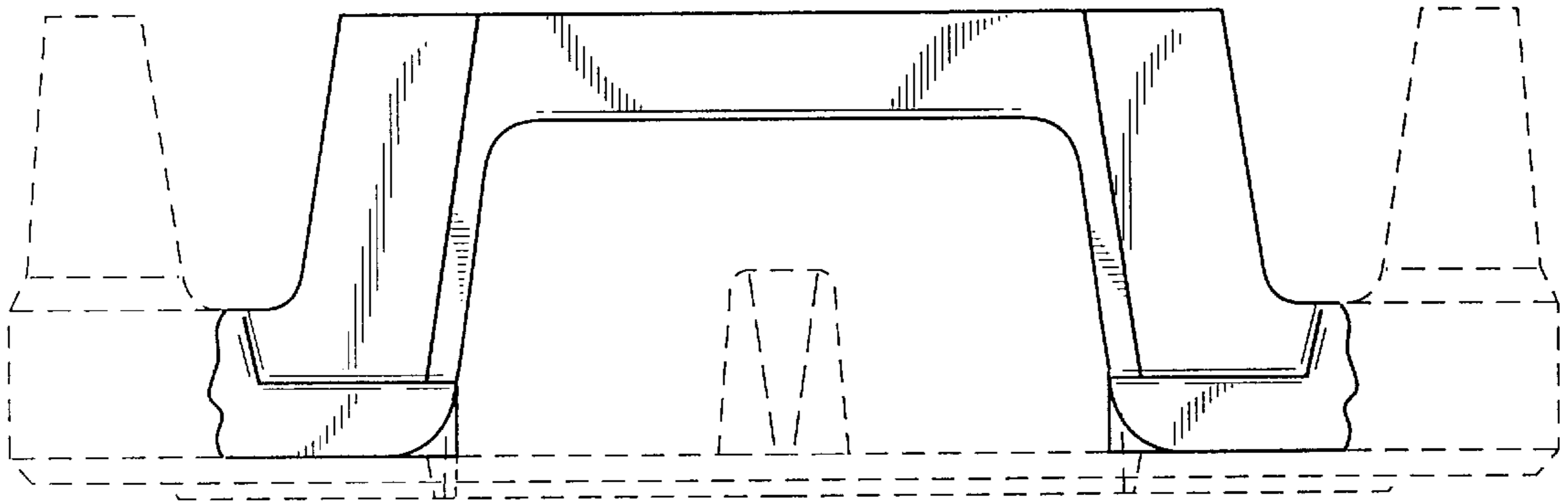


FIG. 3

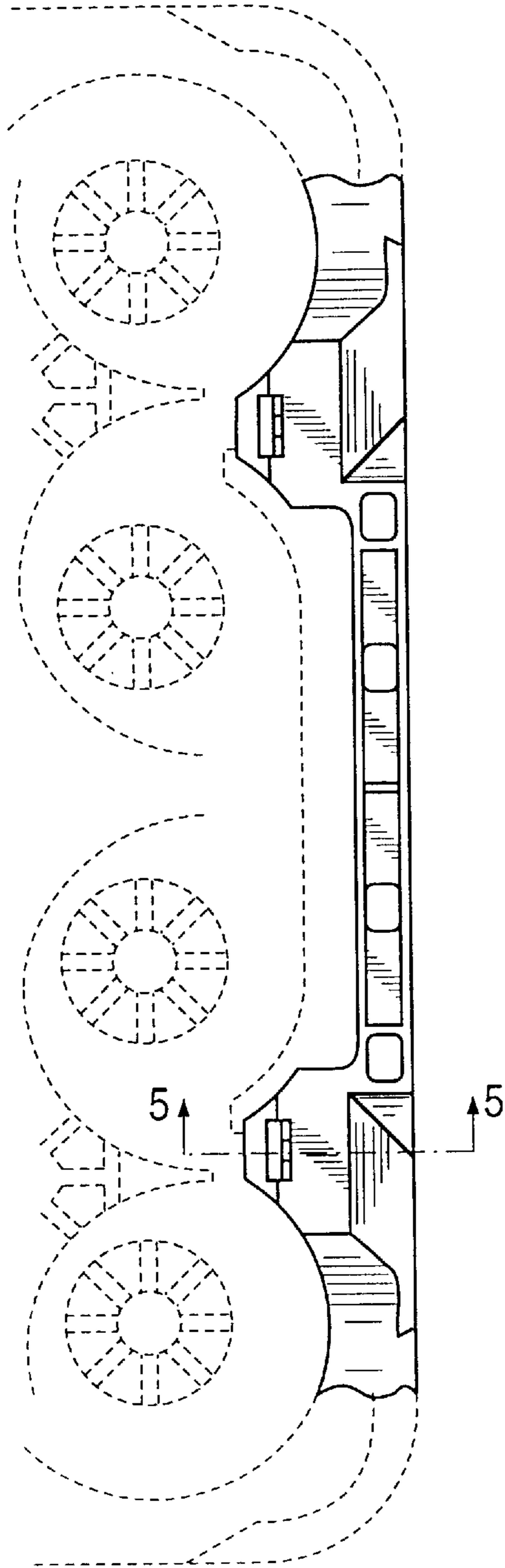


FIG. 4

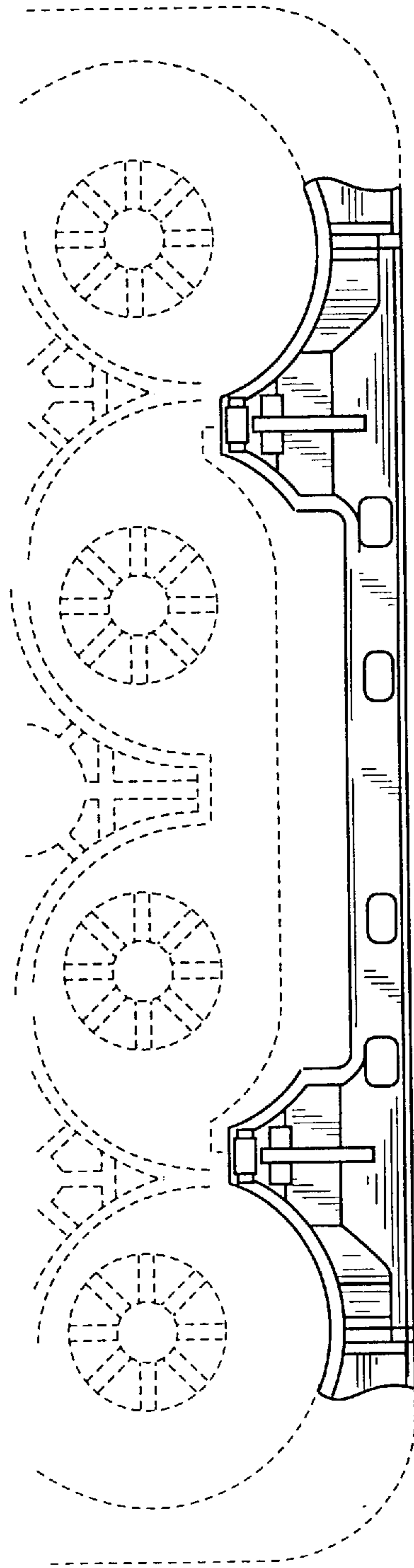


FIG. 5

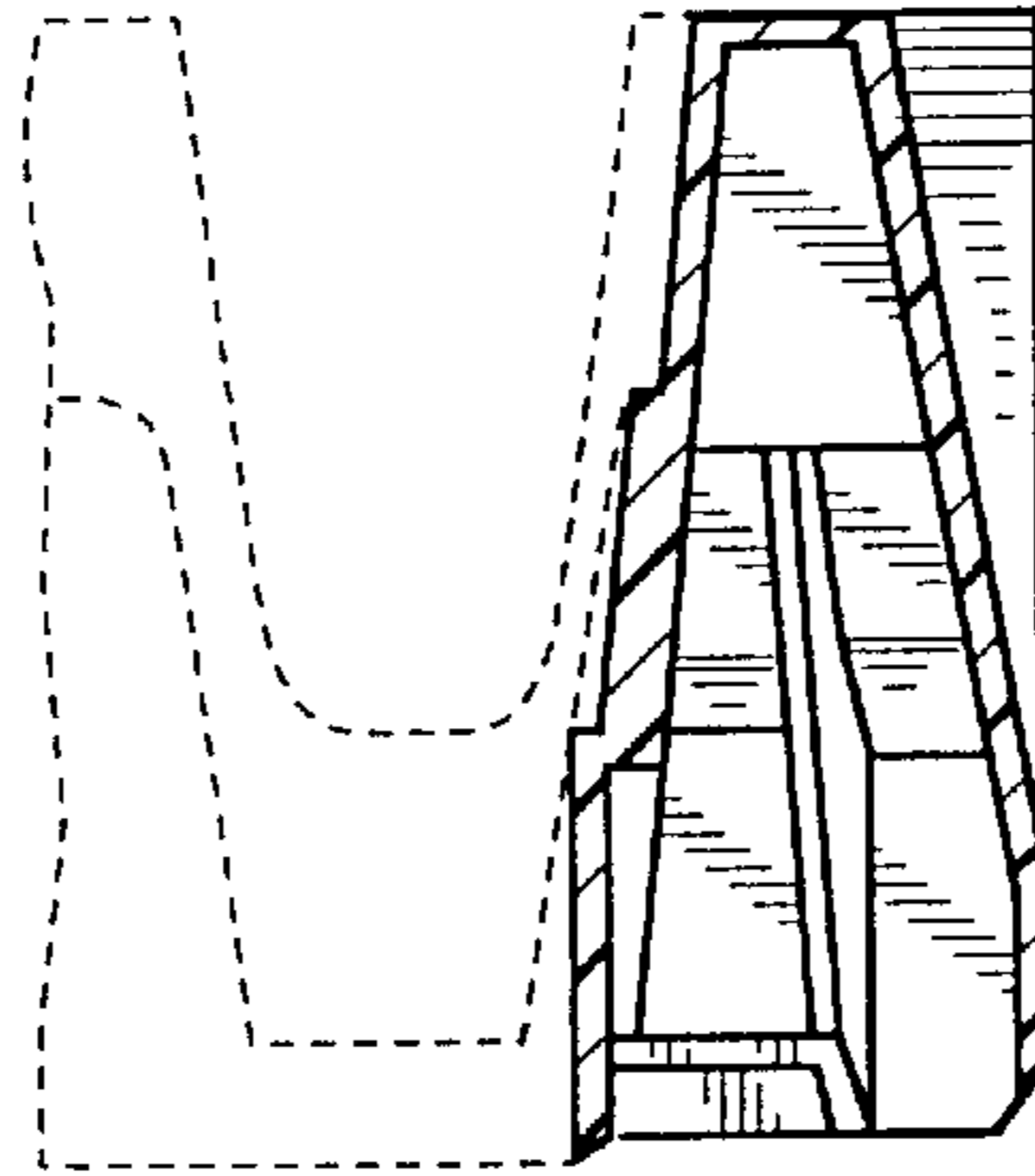


FIG. 6

