



US00D399059S

United States Patent [19]

Holmgren et al.

[11] Patent Number: **Des. 399,059**

[45] Date of Patent: ****Oct. 6, 1998**

[54] **PORTABLE CARRIER FOR AEROSOL CONTAINERS**

[75] Inventors: **Vilma G. Holmgren**, West Dundee; **Joseph A. Hahn**, Grayslake; **Douglas G. Begley**, Palatine; **Thomas E. Perdue, Jr.**, Crystal Lake, all of Ill.

[73] Assignee: **Illinois Tool Works Inc.**, Glenview, Ill.

[**] Term: **14 Years**

[21] Appl. No.: **64,072**

[22] Filed: **Nov. 12, 1996**

[51] **LOC (6) Cl.** **03-99**

[52] **U.S. Cl.** **D3/316**

[58] **Field of Search** D3/316, 201, 203, D3/205, 207, 901; D29/108; D24/141, 124, 125, 126, 249, 148.7; 224/250, 240, 242, 901, 904, 914, 245; 222/183, 635, 130; 206/823, 828

[56] **References Cited**

U.S. PATENT DOCUMENTS

| | | | | | |
|-----------|---------|----------------|-------|-----------|---|
| 3,059,802 | 10/1962 | Mitchell | | 224/148.7 | X |
| 3,445,046 | 5/1969 | Wilson | | 224/148.7 | X |
| 4,143,764 | 3/1979 | Moss, III | . | | |
| 4,194,619 | 3/1980 | Schley | . | | |
| 4,228,908 | 10/1980 | Tweeton | . | | |
| 4,477,005 | 10/1984 | Martinez | | 224/249 | X |
| 4,782,945 | 11/1988 | Geiler et al. | . | | |
| 4,834,253 | 5/1989 | Crine | . | | |
| 4,919,295 | 4/1990 | Hitzler | . | | |
| 5,007,540 | 4/1991 | Beasley | . | | |
| 5,101,997 | 4/1992 | Bagwell et al. | . | | |
| 5,125,537 | 6/1992 | Slapin et al. | . | | |

| | | | | | |
|-----------|---------|----------------|-------|---------|--|
| 5,135,823 | 8/1992 | Eales | . | | |
| 5,263,619 | 11/1993 | Shoemaker | | 224/249 | |
| 5,302,302 | 4/1994 | Shelley et al. | | 224/245 | |
| 5,316,159 | 5/1994 | Douglas et al. | . | | |
| 5,335,813 | 8/1994 | Qi | . | | |
| 5,356,040 | 10/1994 | Reggiani | . | | |

Primary Examiner—Doris V. Coles
Assistant Examiner—C. R. Oliver
Attorney, Agent, or Firm—Donald J. Breh

[57] **CLAIM**

An ornamental design for a portable carrier for aerosol containers, as shown and described.

DESCRIPTION

FIG. 1 is a top perspective view of a portable carrier for aerosol containers in an open extended position; FIG. 2 is a bottom perspective view thereof; FIG. 3 is a top plan view thereof; FIG. 4 is a bottom plan view thereof; FIG. 5 is a side elevation view thereof, the opposite side elevation view being identical; FIG. 6 is a front elevation view thereof, the rear elevation view being identical; FIG. 7 is a top perspective view, shown in a closed position; FIG. 8 is a bottom perspective view thereof; FIG. 9 is a top plan view thereof; FIG. 10 is a bottom plan view thereof; FIG. 11 is a side elevation view thereof; the opposite side elevation view being identical; and, FIG. 12 is a front elevation view thereof, the rear elevation view being identical.

The broken line portions of the figures are for illustrative purposes only and form no part of the claimed design.

1 Claim, 6 Drawing Sheets

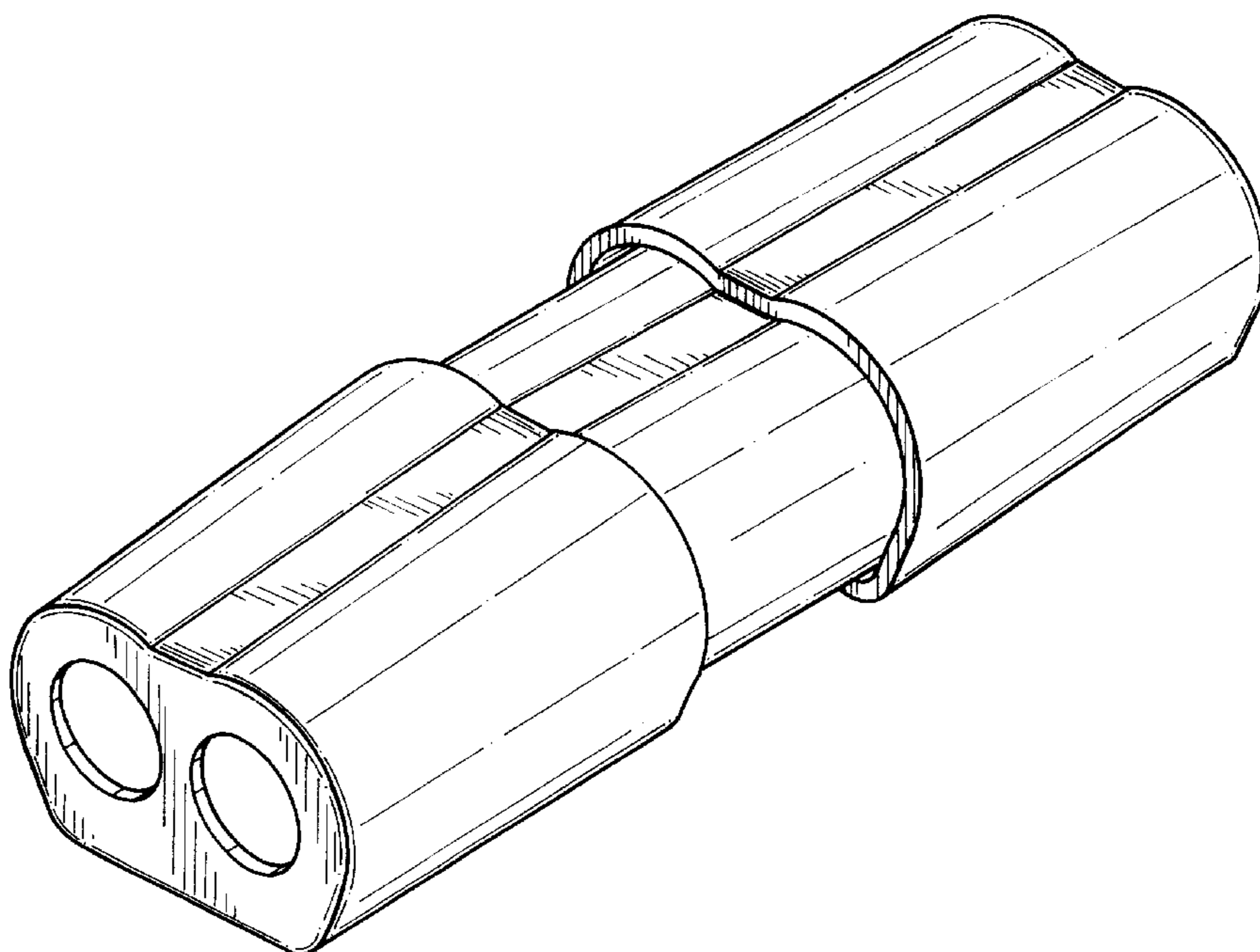


FIG. 1

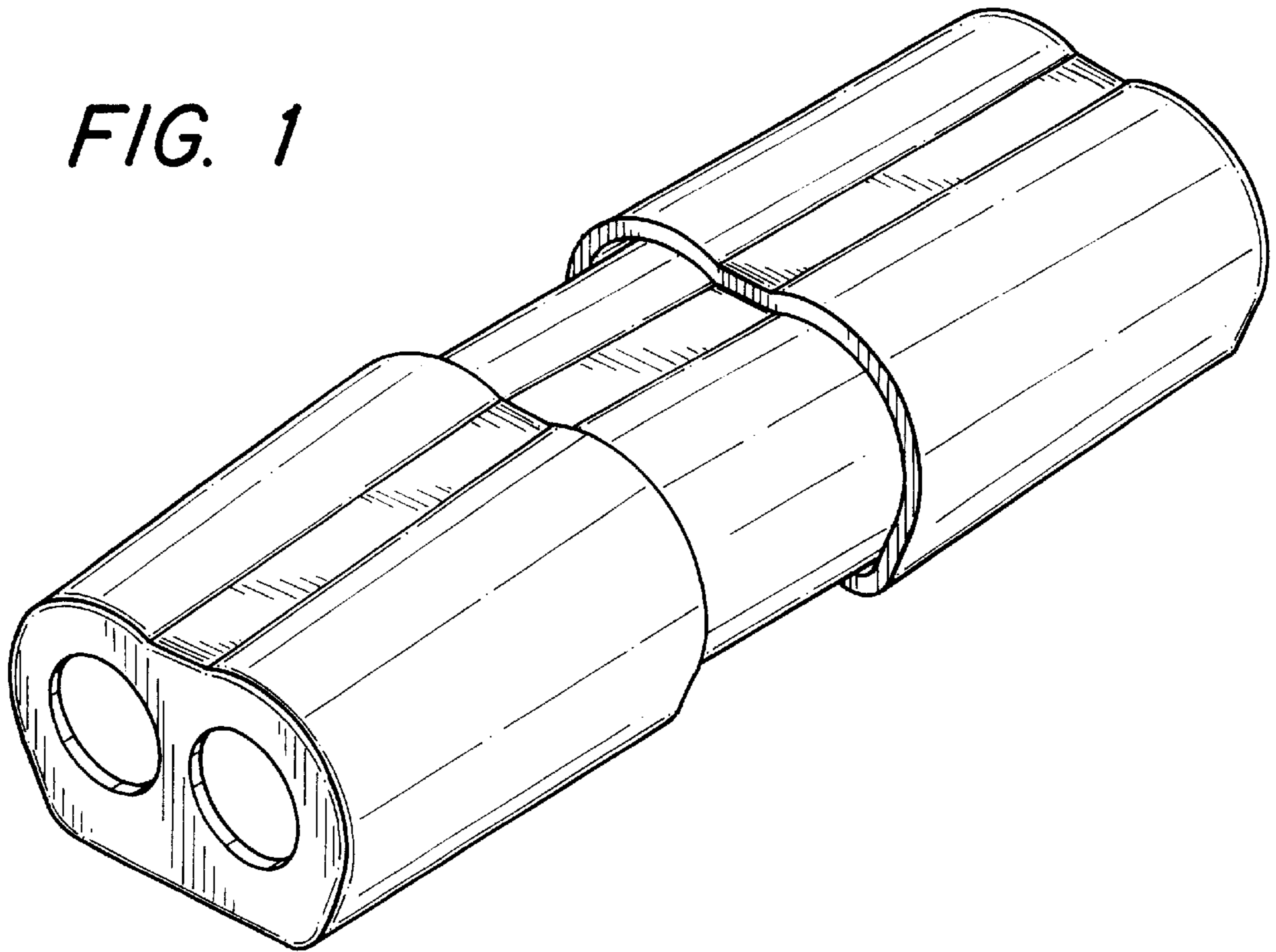


FIG. 2

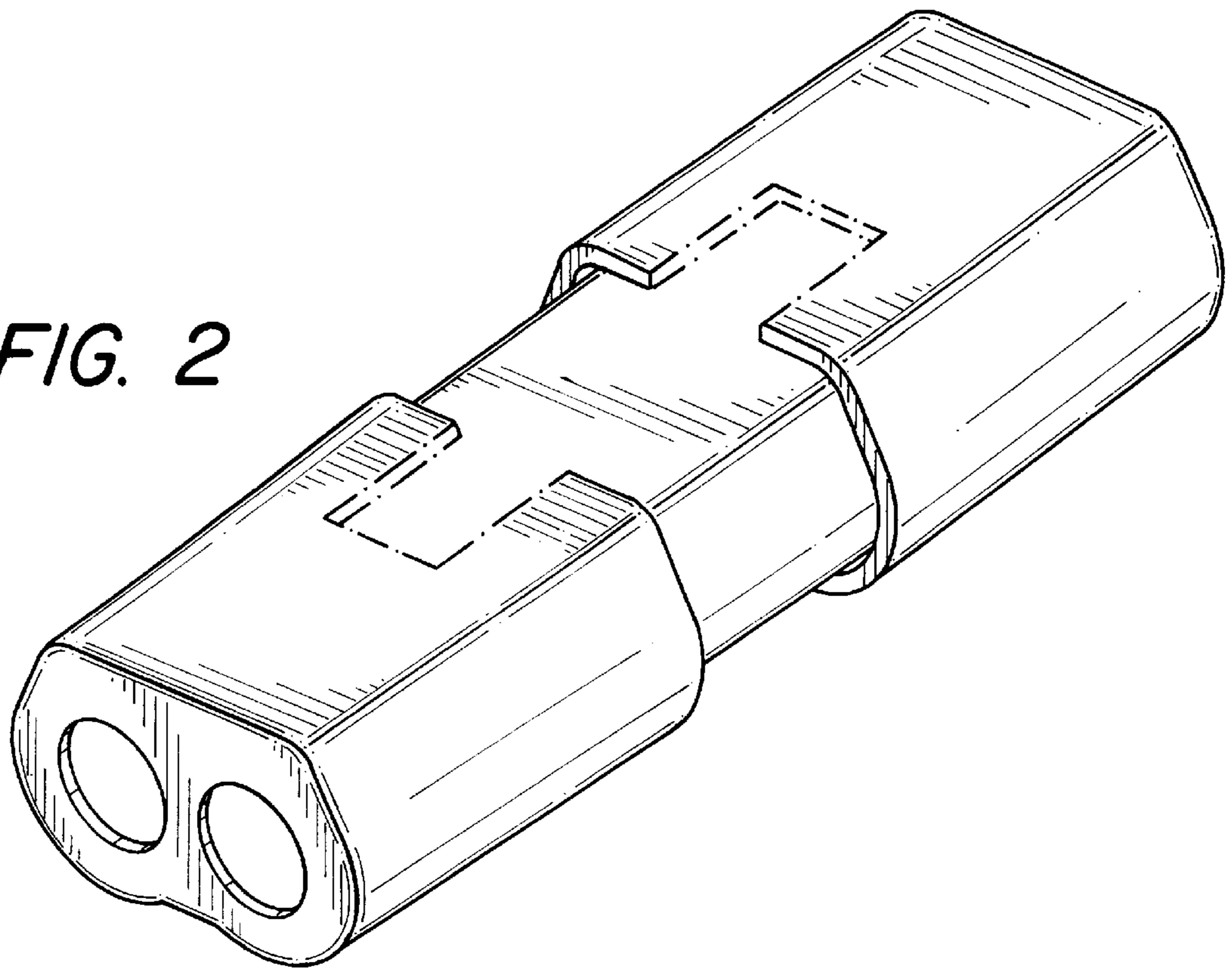


FIG. 3

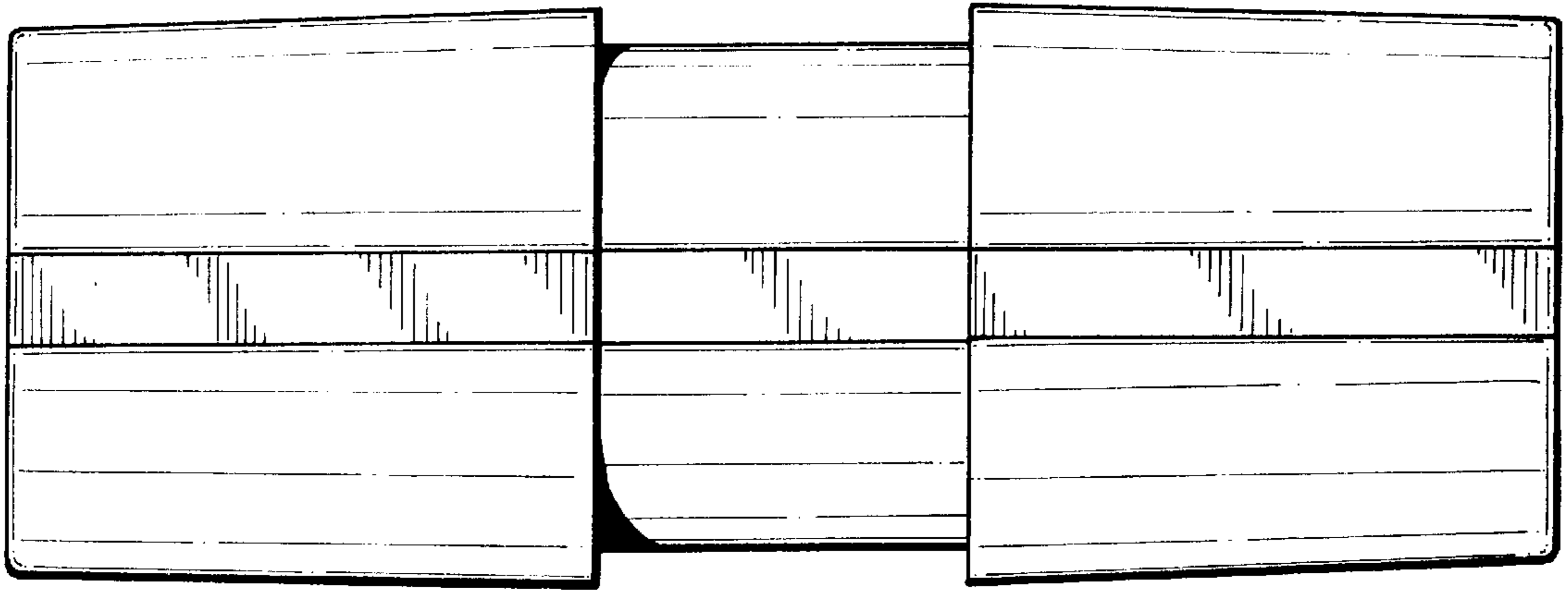


FIG. 4

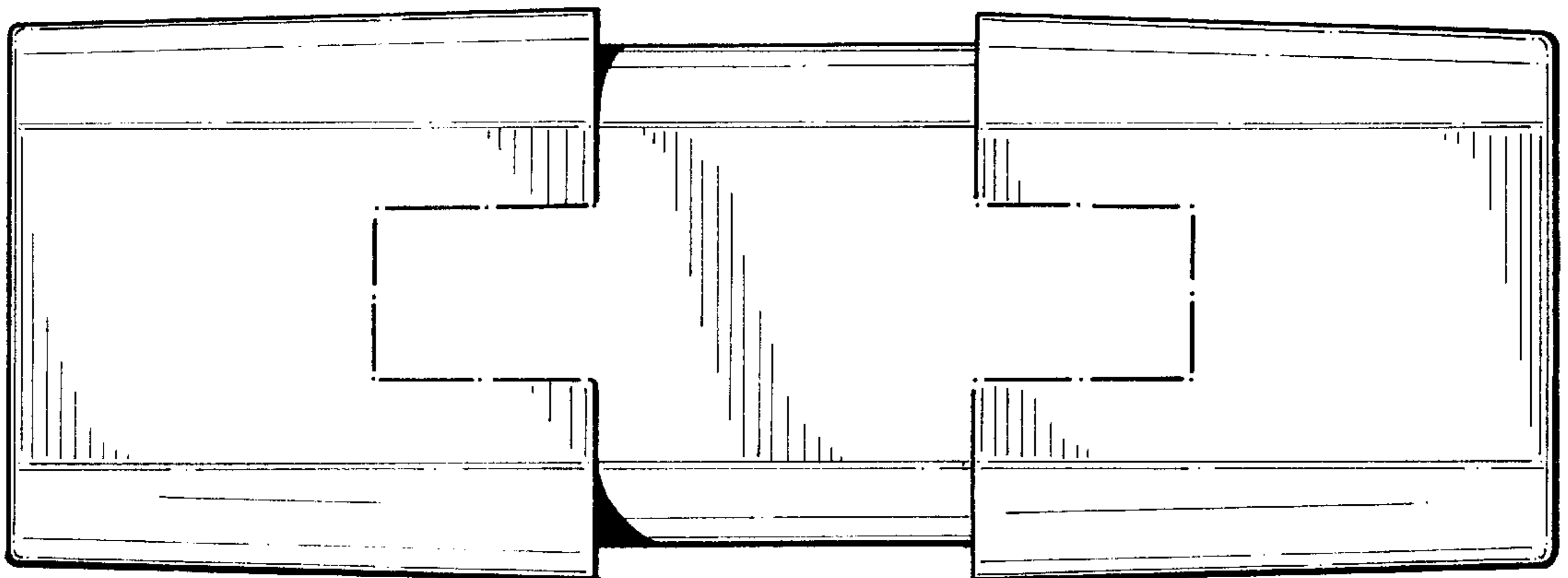


FIG. 5

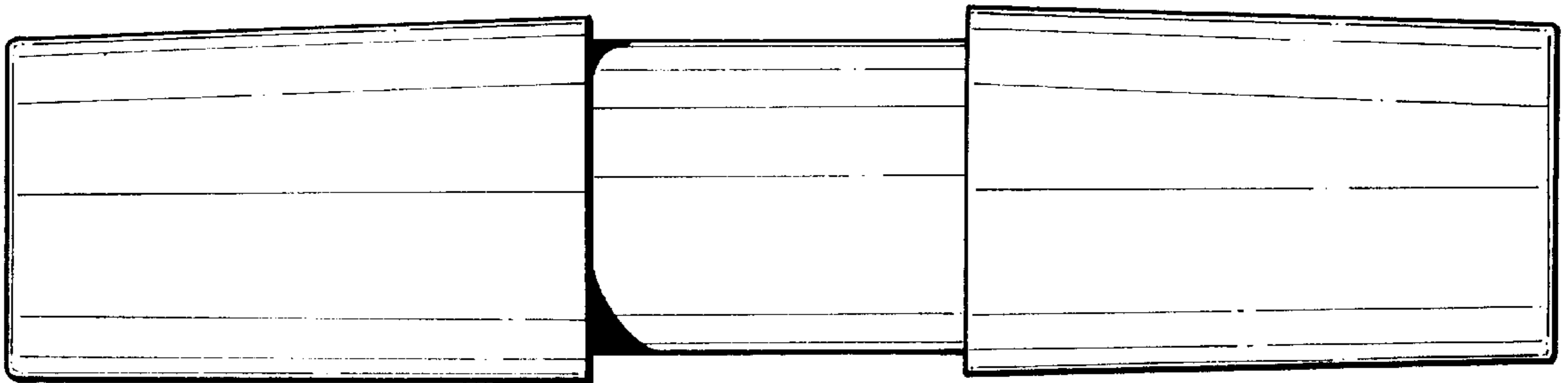


FIG. 6

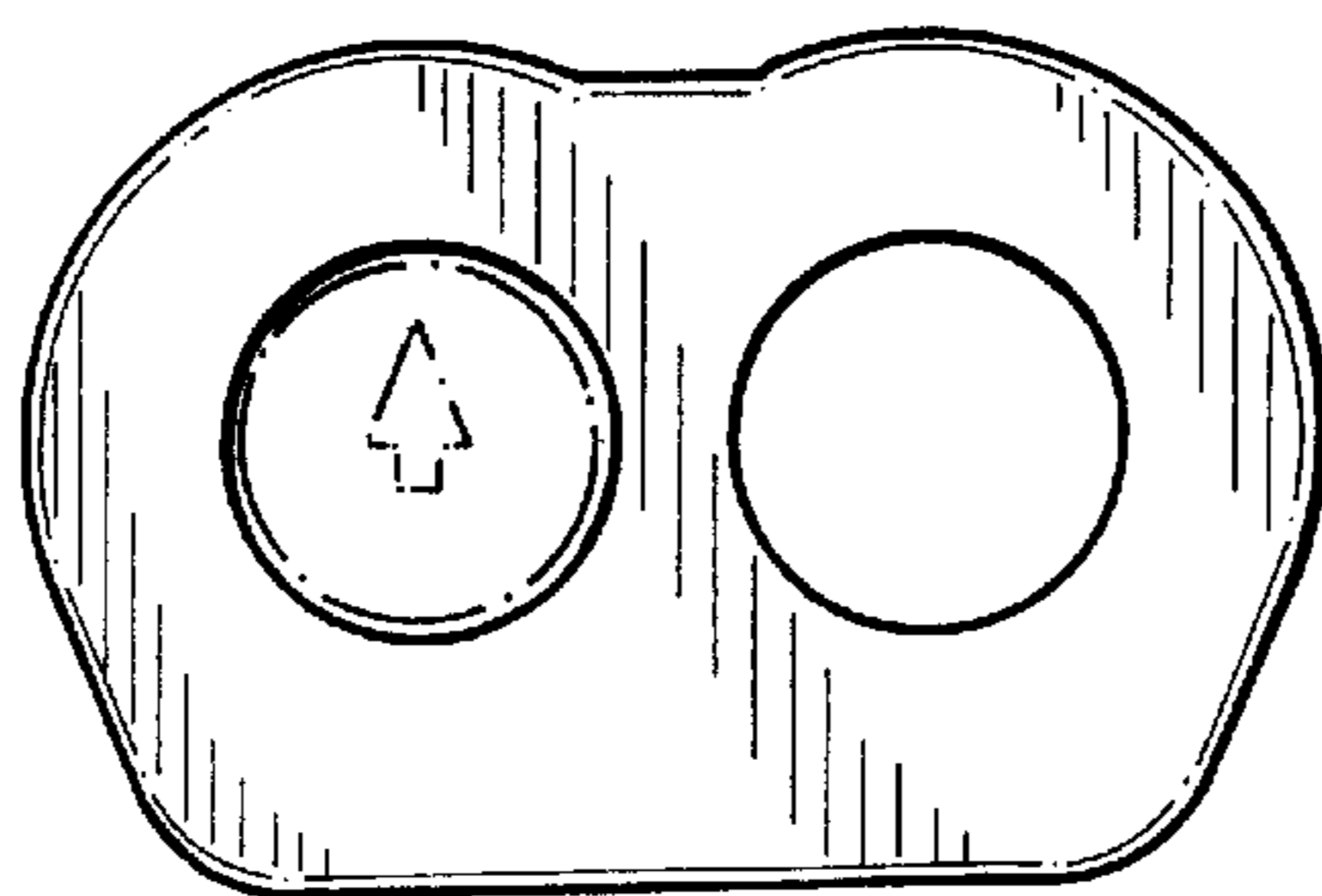


FIG. 7

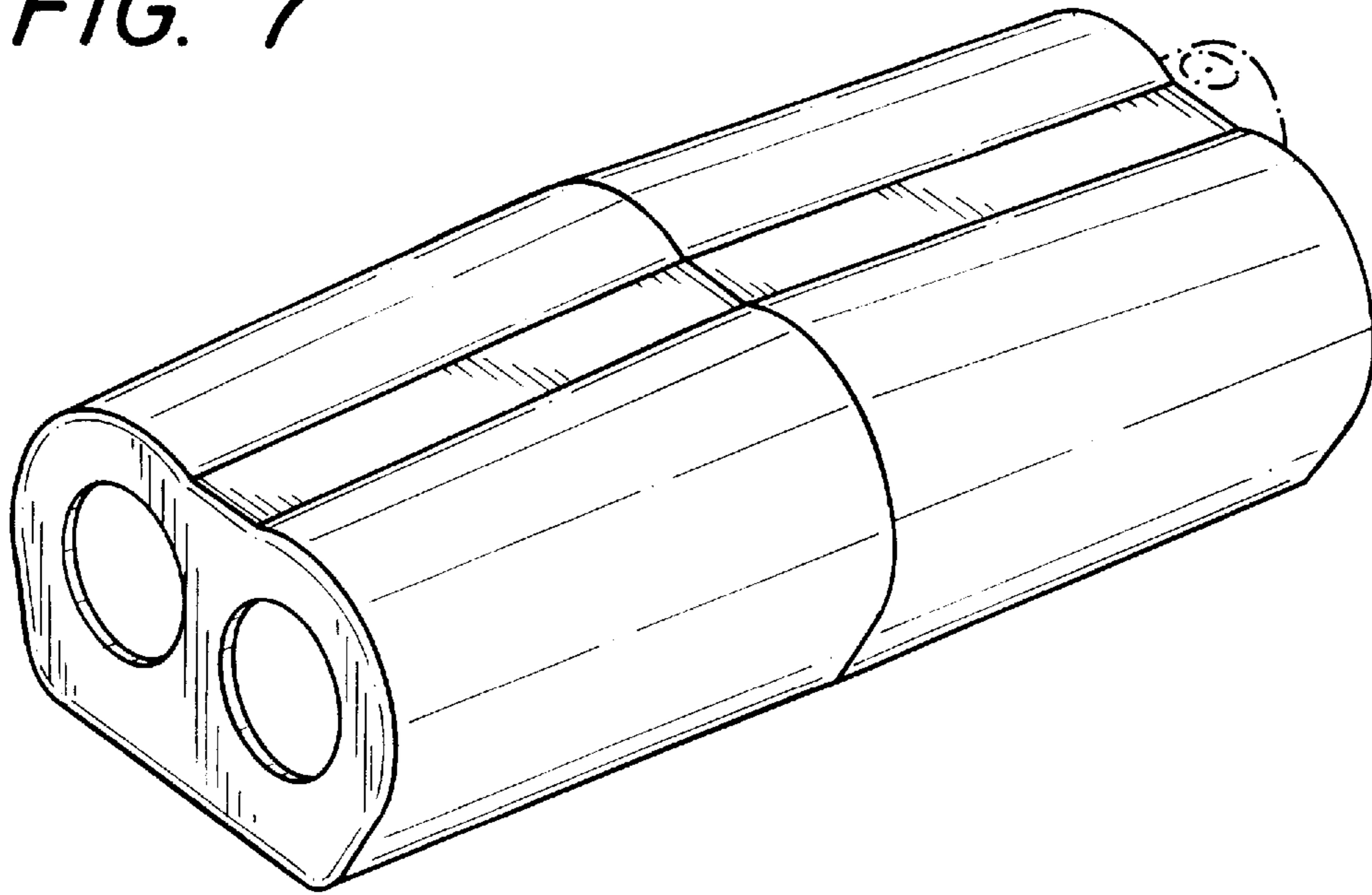


FIG. 8

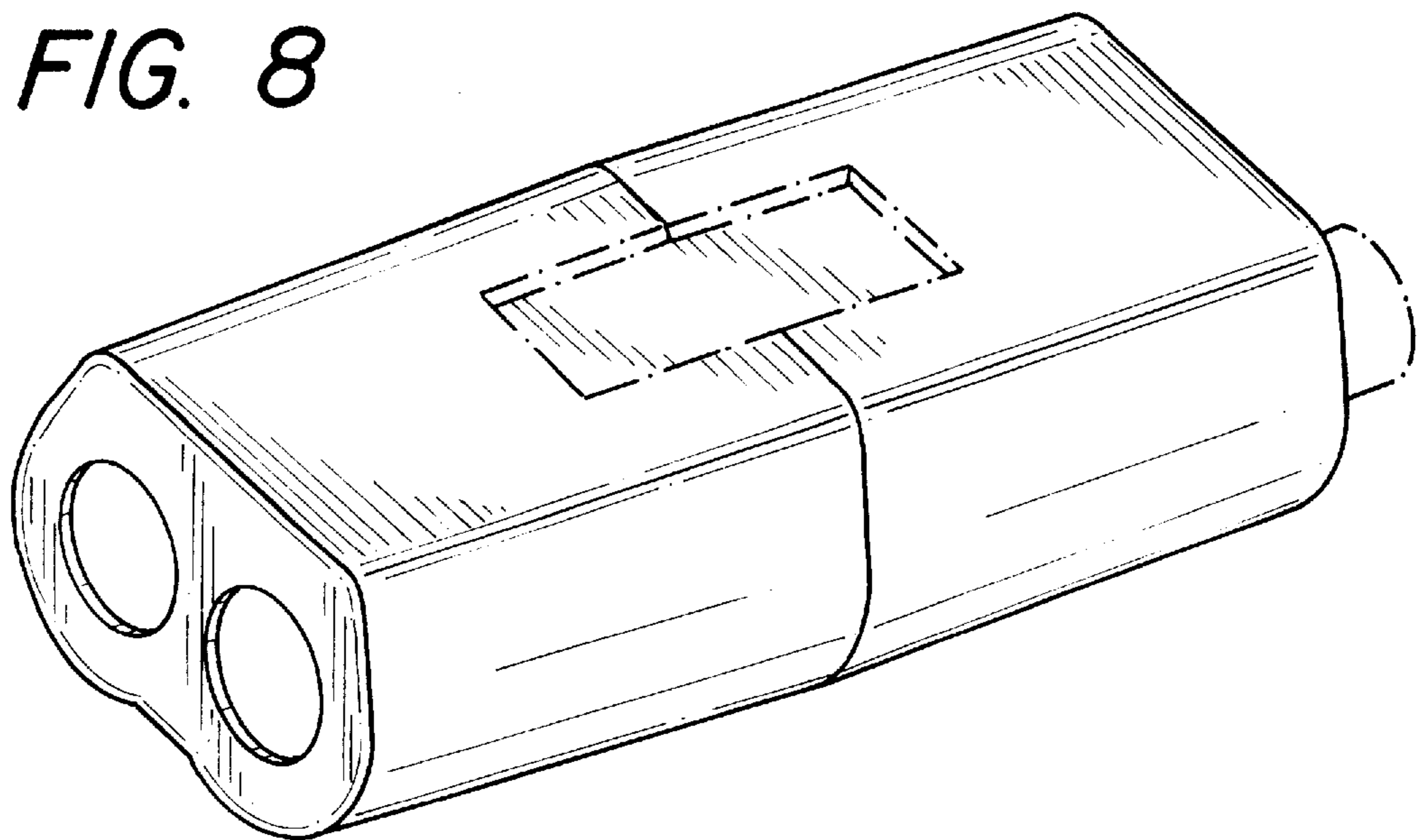


FIG. 9

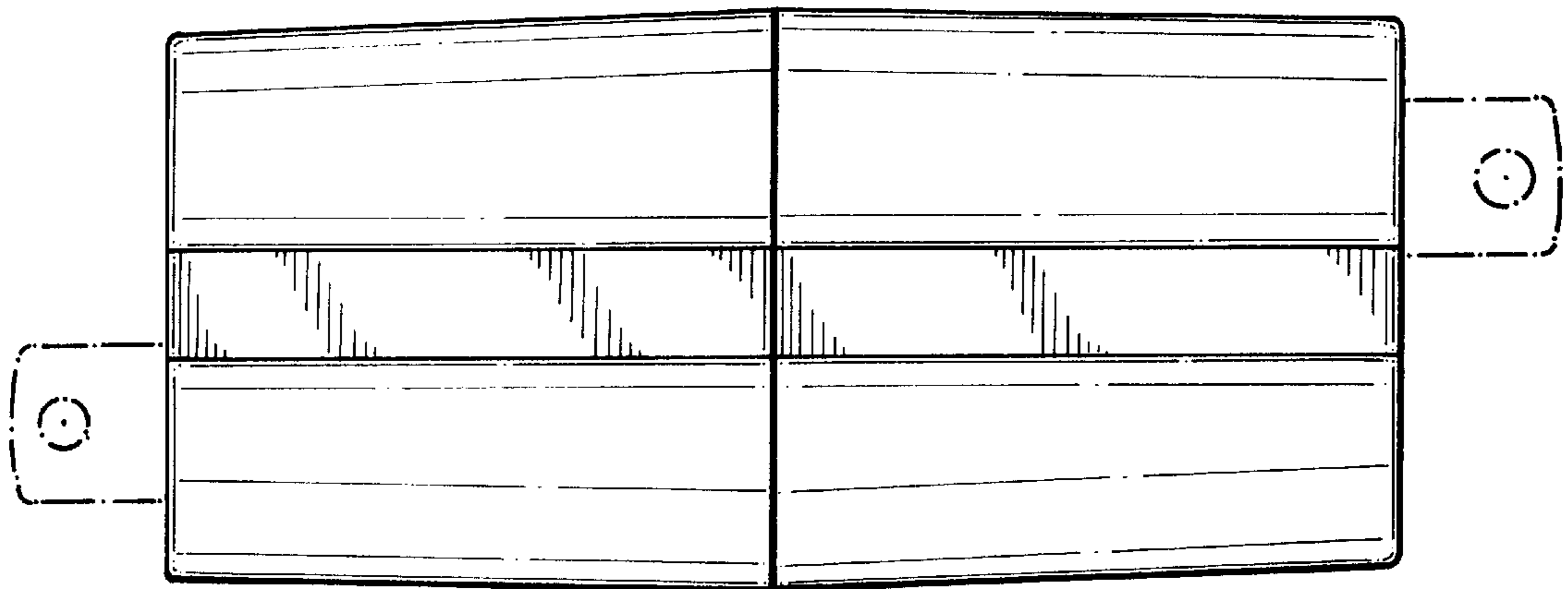


FIG. 10

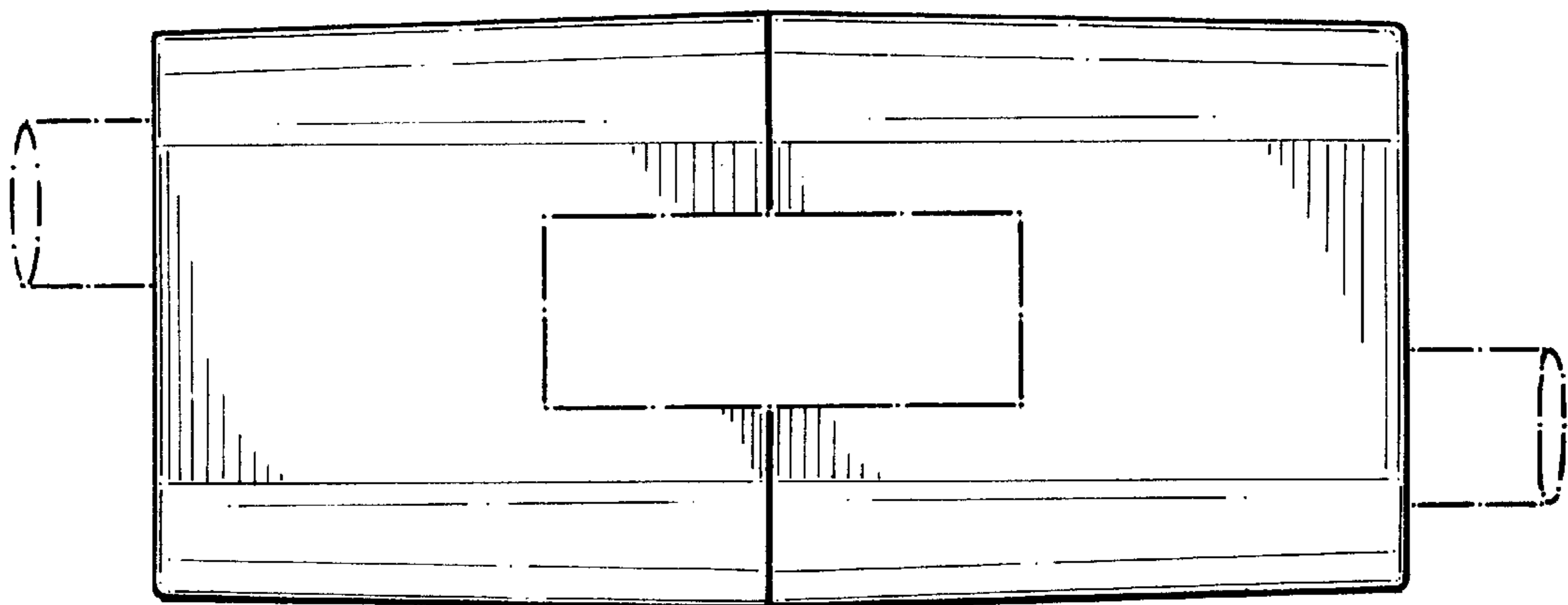


FIG. 11

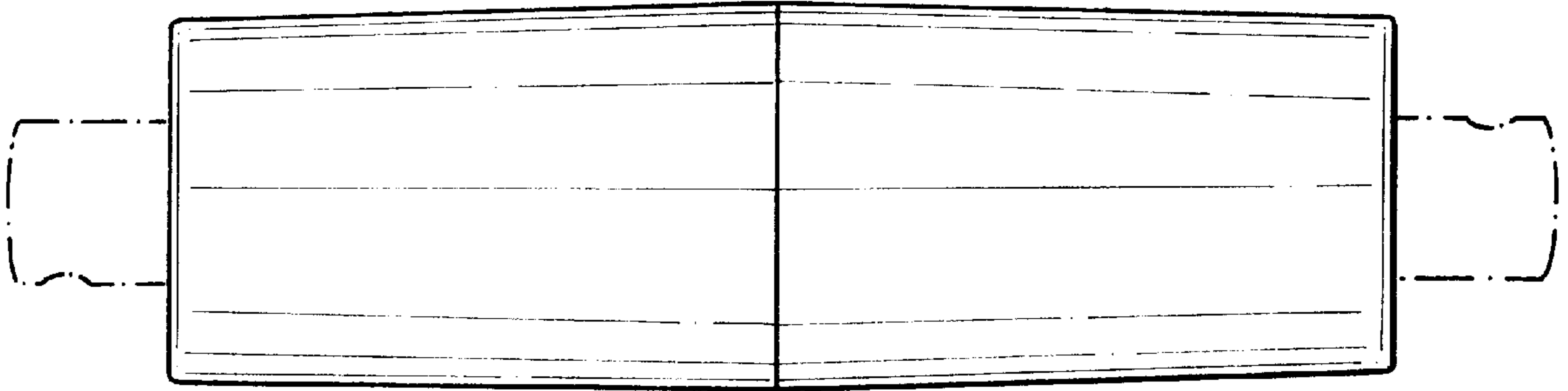


FIG. 12

