



US00D399058S

United States Patent [19] Wyant

[11] **Patent Number: Des. 399,058**

[45] **Date of Patent: **Oct. 6, 1998**

[54] **BINDER OR PORTFOLIO**

[75] Inventor: **Jon R. Wyant**, Spring Valley, Ohio

[73] Assignee: **The Mead Corporation**, Dayton, Ohio

[**] Term: **14 Years**

[21] Appl. No.: **62,323**

[22] Filed: **Nov. 13, 1996**

[51] **LOC (6) Cl. 03-01**

[52] **U.S. Cl. D3/303; D3/900**

[58] **Field of Search** D3/201, 245, 246,
D3/247, 303, 319, 900; D9/305; D19/26,
27, 33; 150/131, 143, 147; 190/111, 126,
900, 902; 206/278; 229/67.1, 72; 383/7,
38, 39, 62, 66, 105, 119, 121.1; 402/79,
80 R

[56] **References Cited**

U.S. PATENT DOCUMENTS

90,997	6/1869	Currie	150/143	X
D. 354,767	1/1995	Ruskin	D19/26	
1,461,837	7/1923	Sundin	150/131	X
2,312,132	2/1943	Swanson	150/143	X
2,765,015	10/1956	Lupfer et al.	150/143	X
4,388,958	6/1983	Dworkin	383/39	X

FOREIGN PATENT DOCUMENTS

1299129	6/1962	France	150/150	
102405	12/1916	United Kingdom	150/143	

Primary Examiner—Louis S. Zarfes

Assistant Examiner—Monica A. Weingart

Attorney, Agent, or Firm—Thompson Hine & Flory LLP

[57] **CLAIM**

The ornamental design for a binder or portfolio, as shown and described.

DESCRIPTION

Fig. 1 is an exterior view of a binder in its closed position embodying my new design;

FIG. 2 is an exterior view the binder of FIG. 1 in its opened position;

FIG. 3 is partial cross-sectional view of the binder of FIG. 1 taken along line 3—3;

FIG. 4 is an elevational view of the right side of the binder of FIG. 1;

FIG. 5 is an elevational view of the left side of the binder of FIG. 1;

FIG. 6 is an elevational view of the top side of the binder of FIG. 1;

FIG. 7 is an elevational view of the bottom side of the binder of FIG. 1;

FIG. 8 is an exterior view of a binder in its closed position embodying a variation of my new design;

FIG. 9 is an exterior view of the binder of FIG.4 in its opened position; and,

FIG. 10 is a partial cross-sectional view of the binder of FIG. 4 taken along line 6—6;

FIG. 11 is an elevational view of the right side of the binder of FIG. 5;

FIG. 12 is an elevational view of the left side of the binder of FIG. 5;

FIG. 13 is a elevational view of the top side of the binder of FIG. 5; and,

FIG. 14 is an elevational view of the bottom side of the binder of FIG. 5.

The design for the binder resides on the cover, flap and strap of the product as shown in its closed and opened positions.

1 Claim, 5 Drawing Sheets

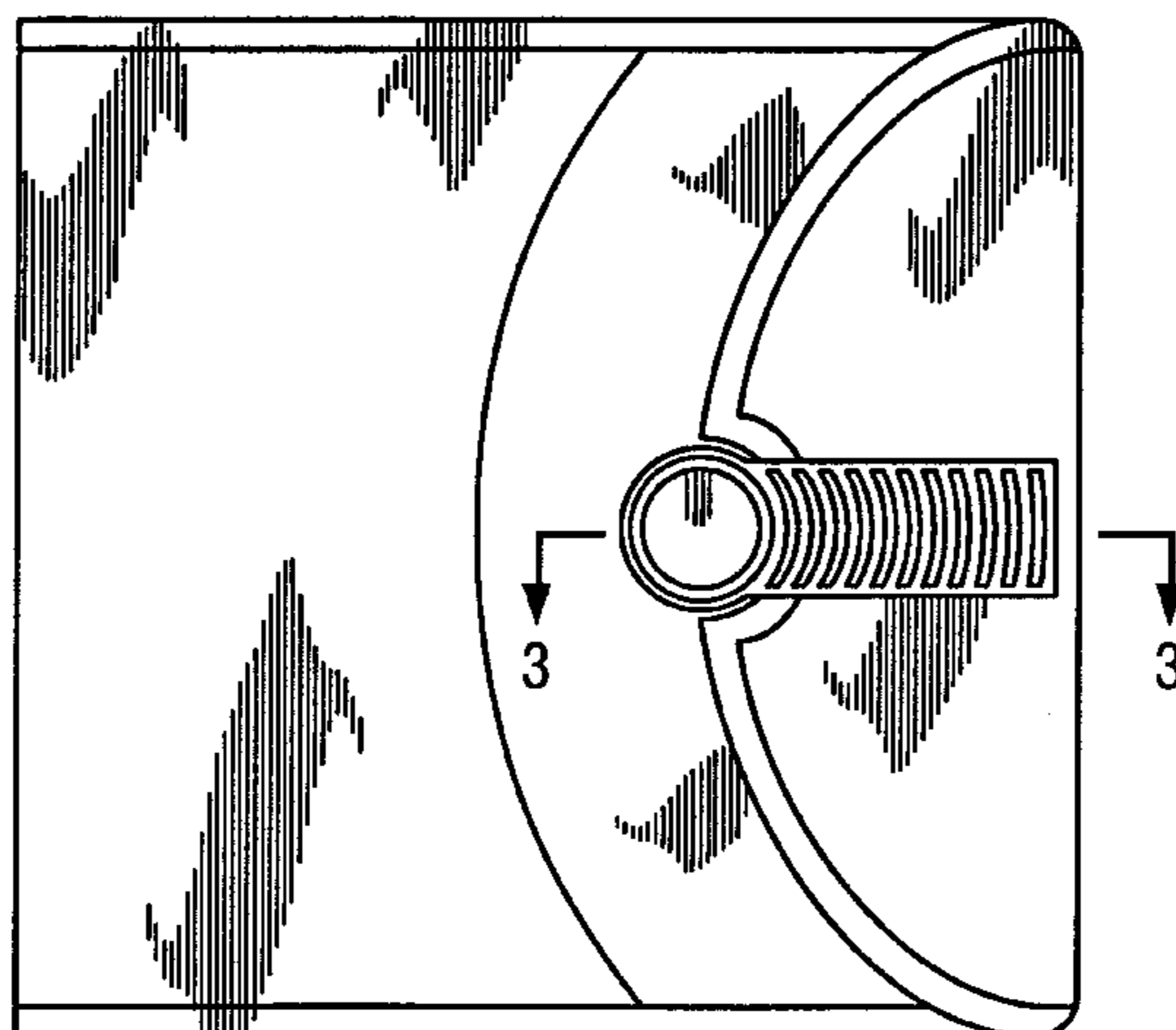


FIG. 8

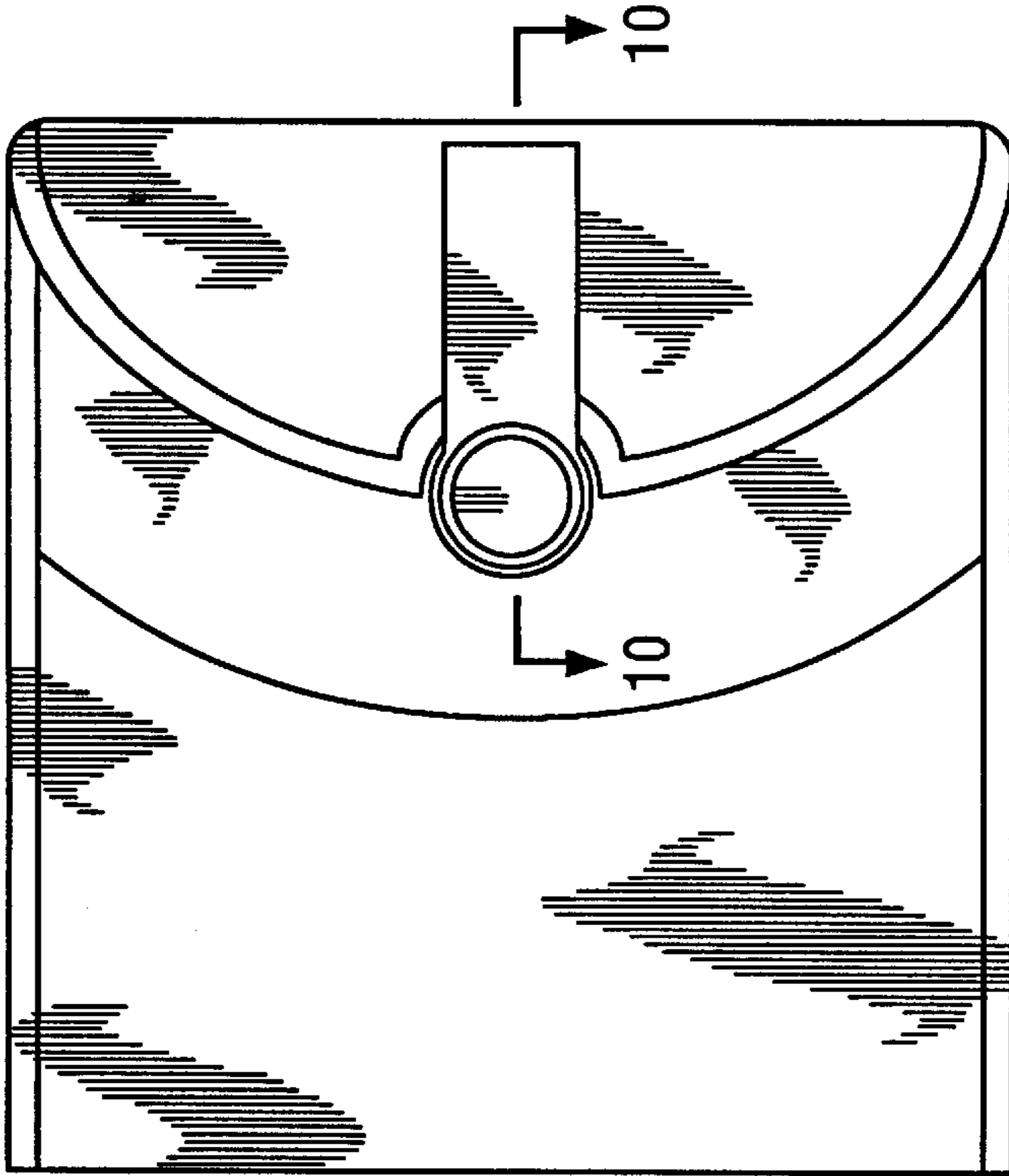


FIG. 10

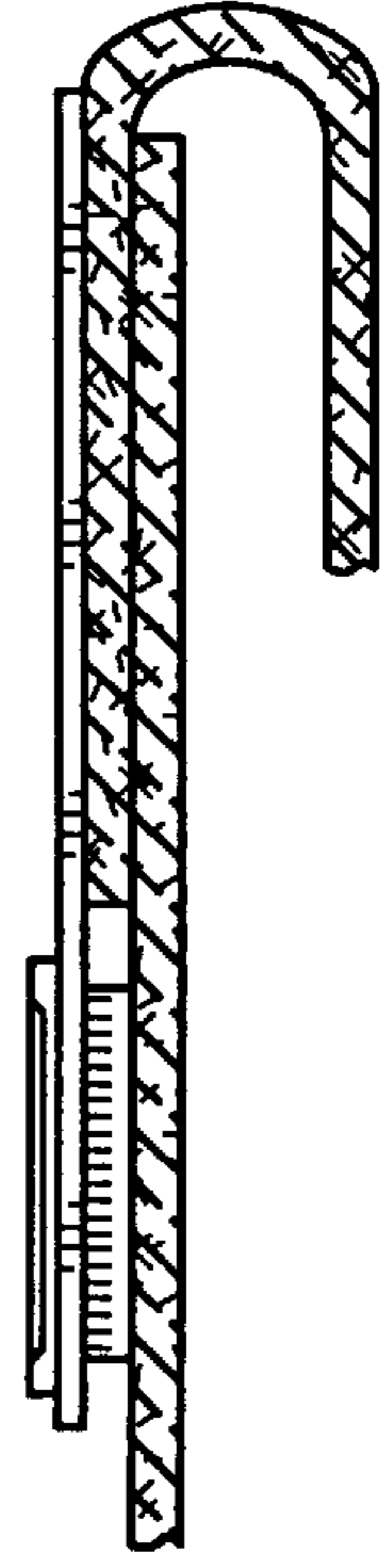


FIG. 1

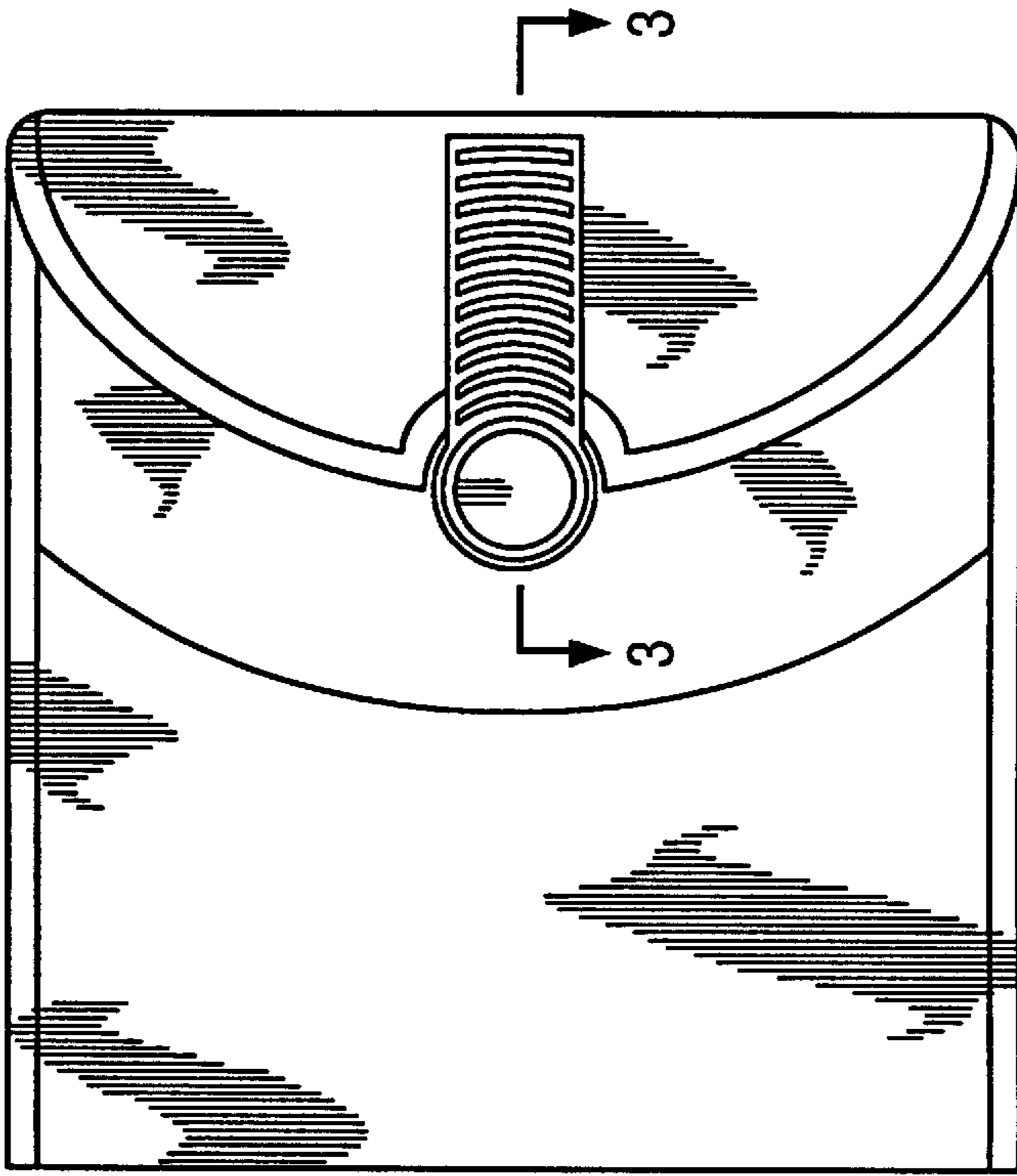


FIG. 3

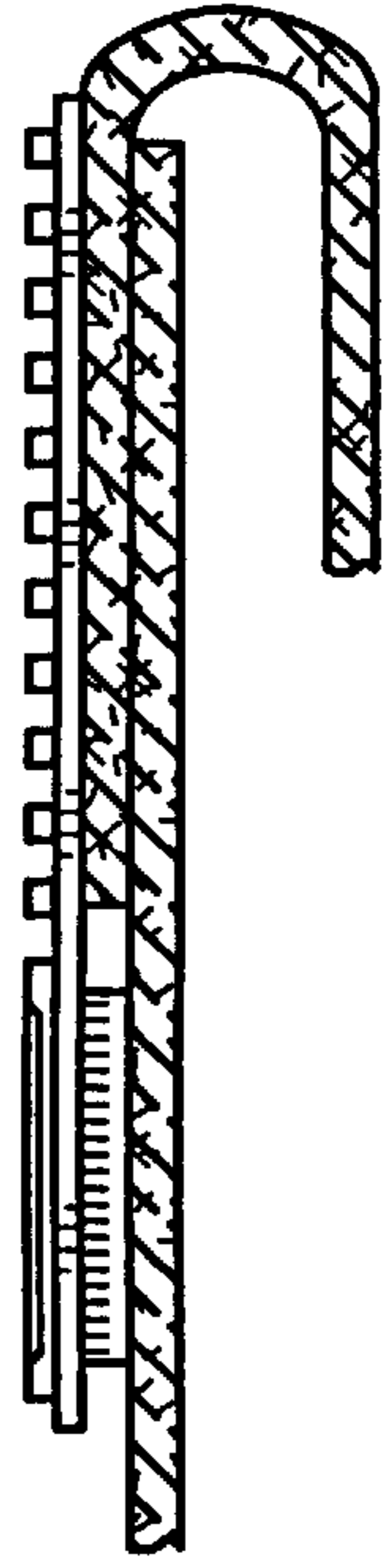


FIG. 2

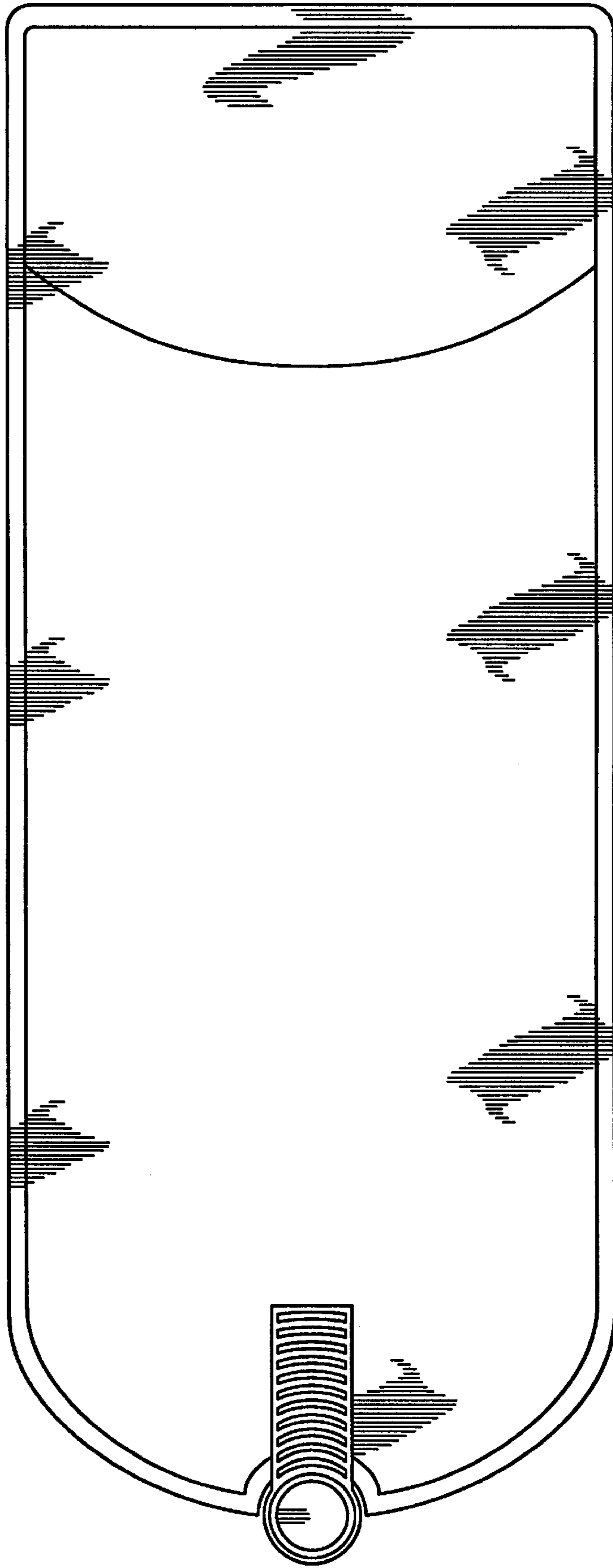


FIG. 4



FIG. 5

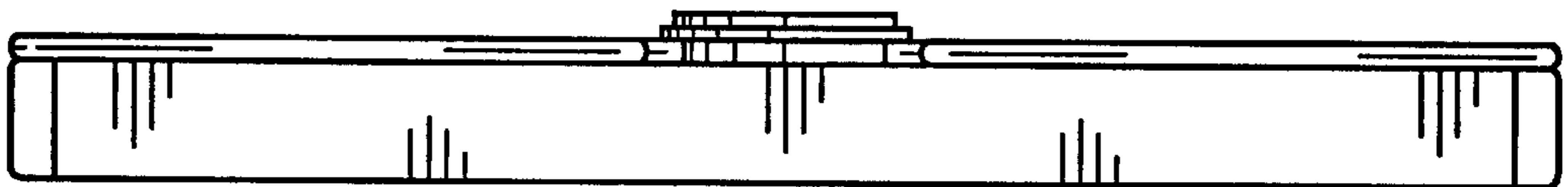


FIG. 6

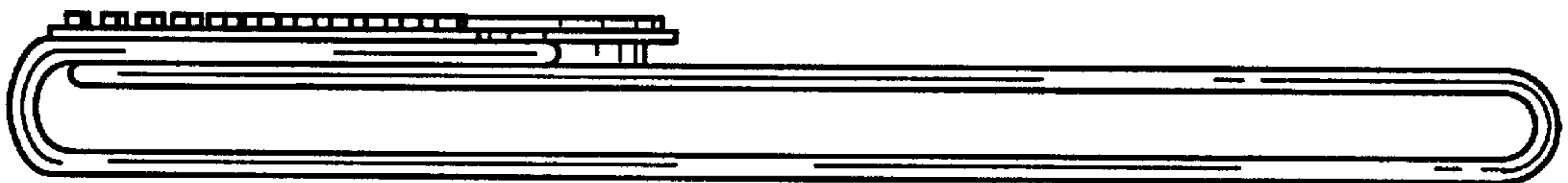


FIG. 7

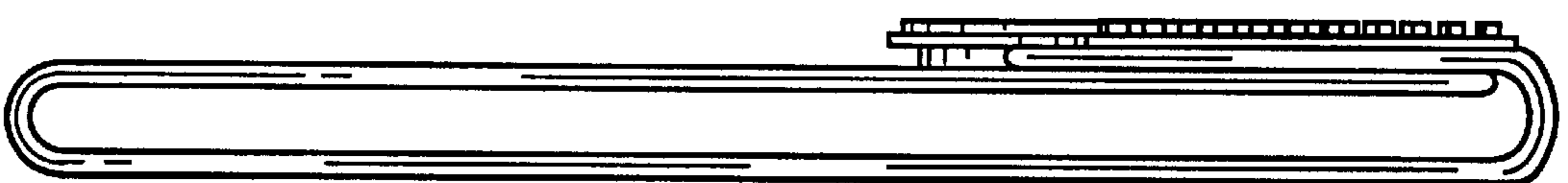


FIG. 9

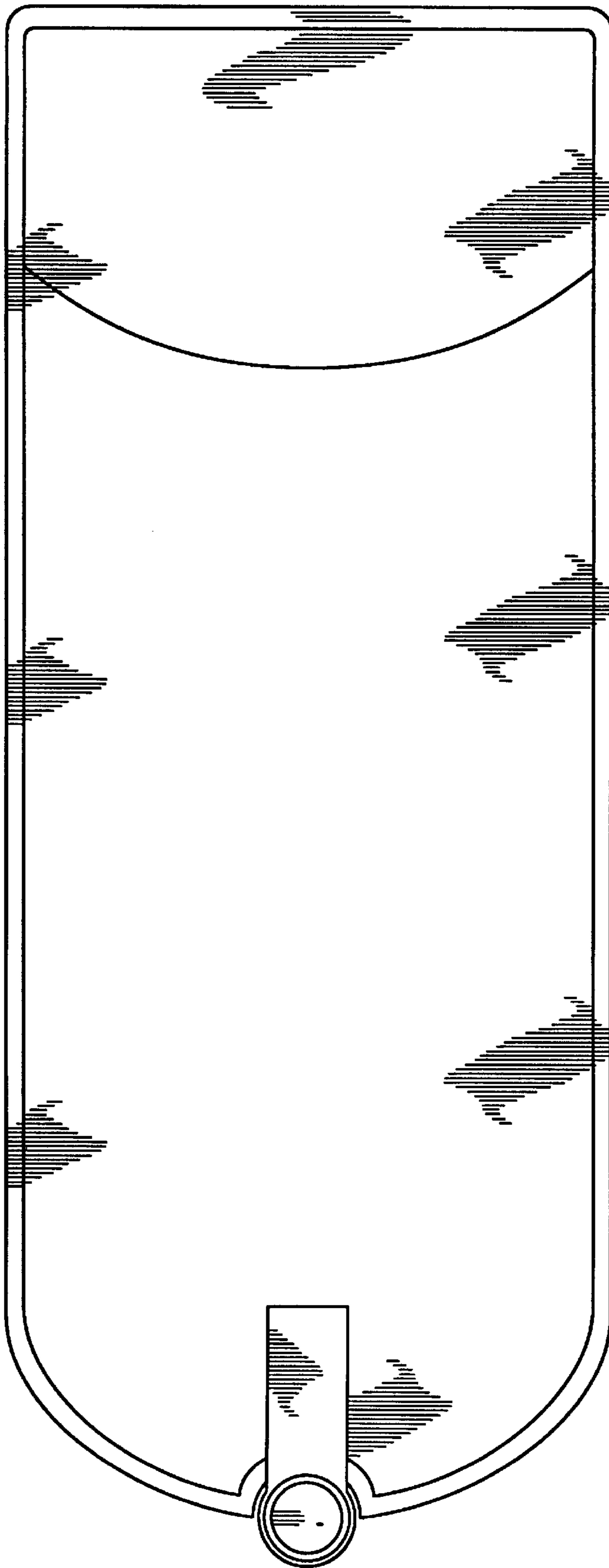


FIG. 11



FIG. 12

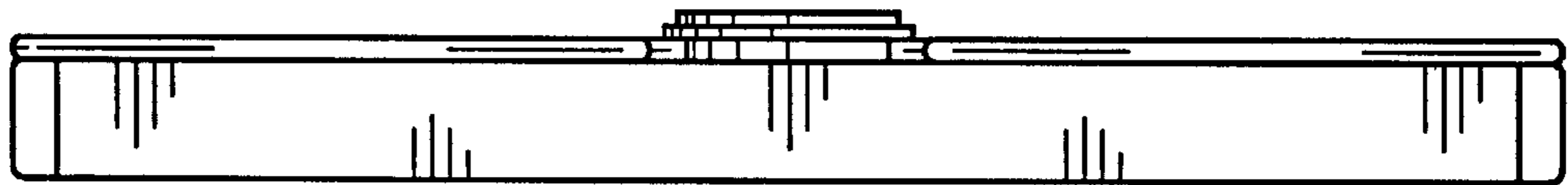


FIG. 13

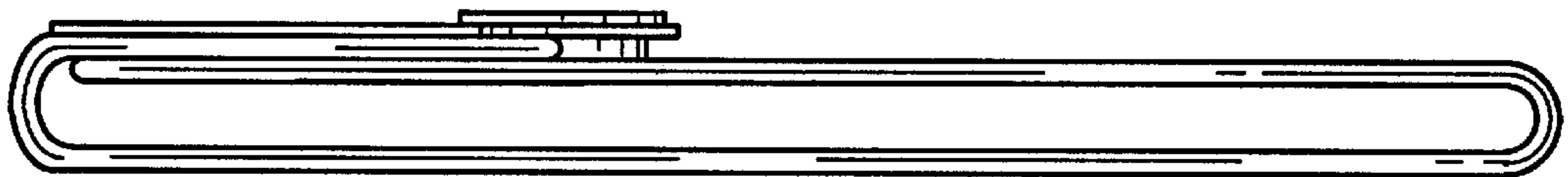
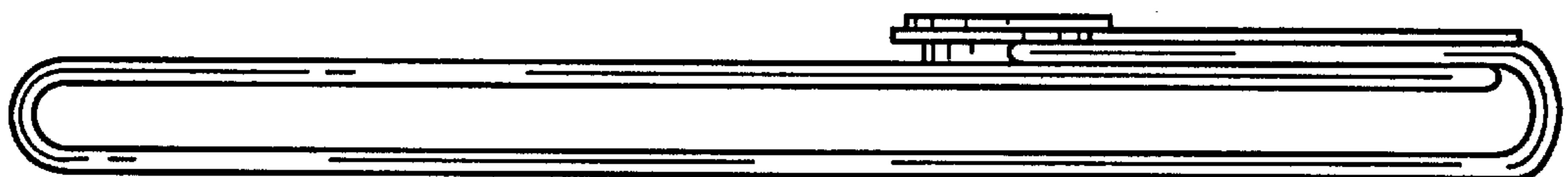


FIG. 14



UNITED STATES PATENT AND TRADEMARK OFFICE
CERTIFICATE OF CORRECTION

PATENT NO. : Des. 399,058
DATED : October 6, 1998
INVENTOR(S) : Jon R. Wyant

It is certified that error appears in the above-identified patent and that said Letters Patent is hereby corrected as shown below:

Description, Fig. 3, line 1, before "partial" insert --a--.

Description, Fig. 9, line 1, replace "4" with --8--.

Description, Fig. 10, line 2, replace "4" with --8-- and replace "6-6" with --10-10--.

Description, Fig. 13, line 1, replace "a" with --an--.

Signed and Sealed this

Twenty-first Day of September, 1999

Attest:



Q. TODD DICKINSON