



US00D399057S

# United States Patent [19]

[11] **Patent Number: Des. 399,057**

**Akutsu**

[45] **Date of Patent: \*\*Oct. 6, 1998**

[54] **PORTABLE CASE**

5,390,786 2/1995 Challoner et al. .... 206/315.1  
5,431,317 7/1995 Kilot ..... 224/578

[76] Inventor: **Akira Akutsu**, Itabashi 1-36-4,  
Itabashi-ku, Tokyo 173, Japan

*Primary Examiner*—Philip S. Hyder  
*Attorney, Agent, or Firm*—Howson and Howson

[\*\*] Term: **14 Years**

### [57] CLAIM

[21] Appl. No.: **68,573**

The ornamental design for a portable case, as shown and described.

[22] Filed: **Mar. 24, 1997**

### [30] Foreign Application Priority Data

### DESCRIPTION

Nov. 26, 1996 [JP] Japan ..... 8-35634

FIG. 1 is a front elevational view of a portable case, showing my new design;

[51] **LOC (6) Cl.** ..... **03-01**

FIG. 2 is a top plan view thereof;

[52] **U.S. Cl.** ..... **D3/290; D3/276**

FIG. 3 is a right side elevational view thereof;

[58] **Field of Search** ..... D3/290, 294, 287,  
D3/285, 216; D12/409; 224/417, 579, 627,  
578; 206/315.1; 190/110, 111, 112, 113

FIG. 4 is a bottom plan view thereof;

FIG. 5 is a rear elevational view thereof;

FIG. 6 is an exploded perspective view thereof;

### [56] References Cited

#### U.S. PATENT DOCUMENTS

D. 329,330 9/1992 Pardo ..... D3/290  
D. 354,849 1/1995 Herman et al. .... D3/216  
D. 360,182 7/1995 Lovett ..... D12/409  
D. 368,370 4/1996 Tawil ..... D3/290  
3,938,716 2/1976 Jackson et al. .... 224/417  
4,236,559 12/1980 Archbold ..... 190/111  
5,377,887 1/1995 Garcia ..... 224/579

FIG. 7 is a perspective view thereof, showing the portable case in its opened condition; and,

FIG. 8 is a perspective view showing a second embodiment thereof and;

FIG. 9 is a perspective view showing a third embodiment thereof.

The left side view of the portable case is a mirror image of the right side elevational view.

**1 Claim, 6 Drawing Sheets**

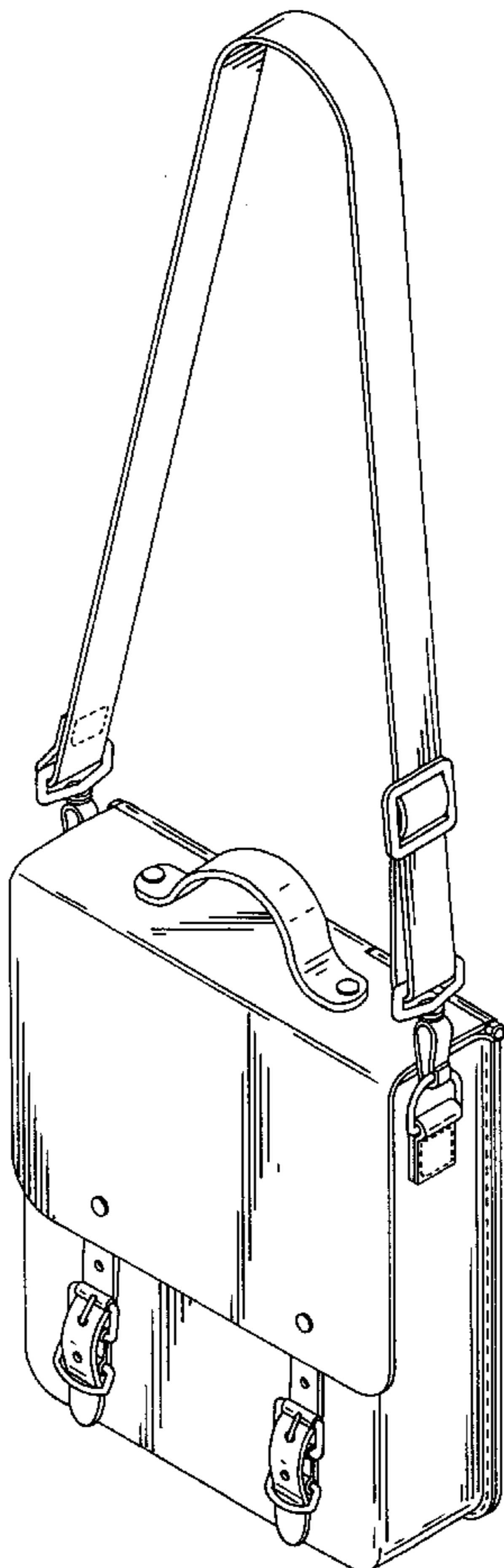


FIG. 2

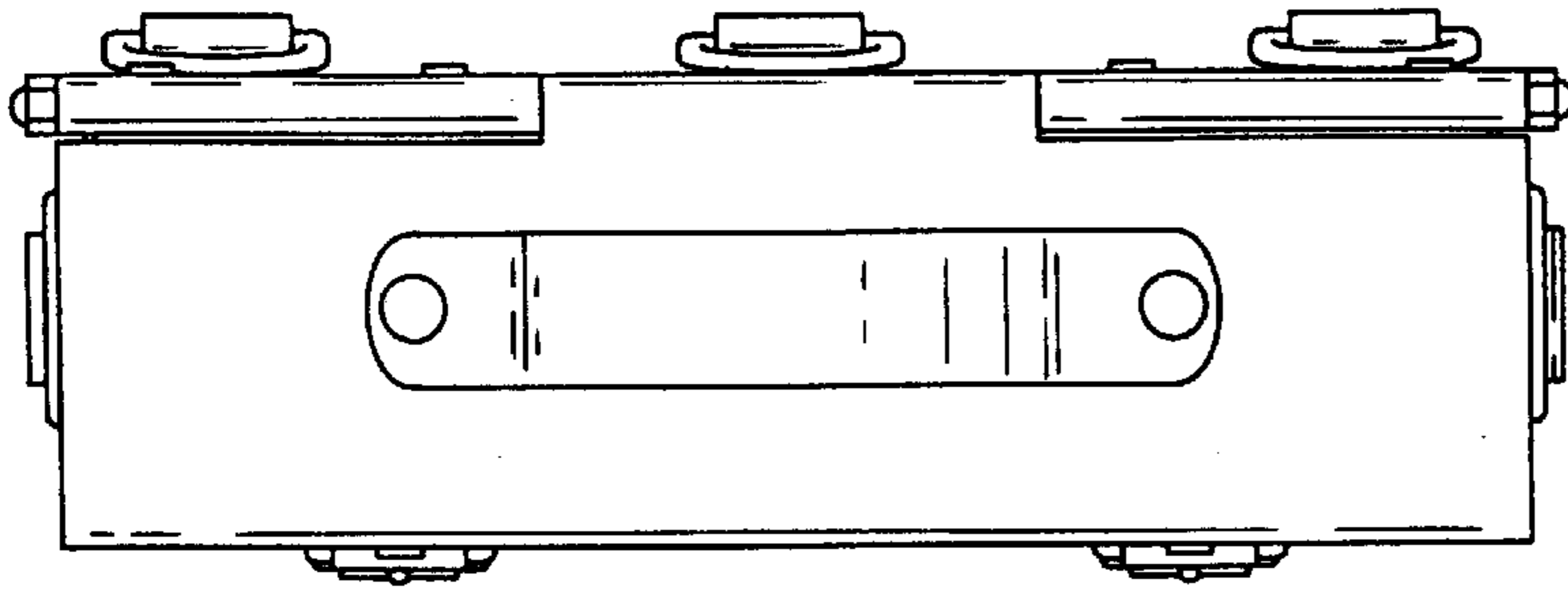


FIG. 1

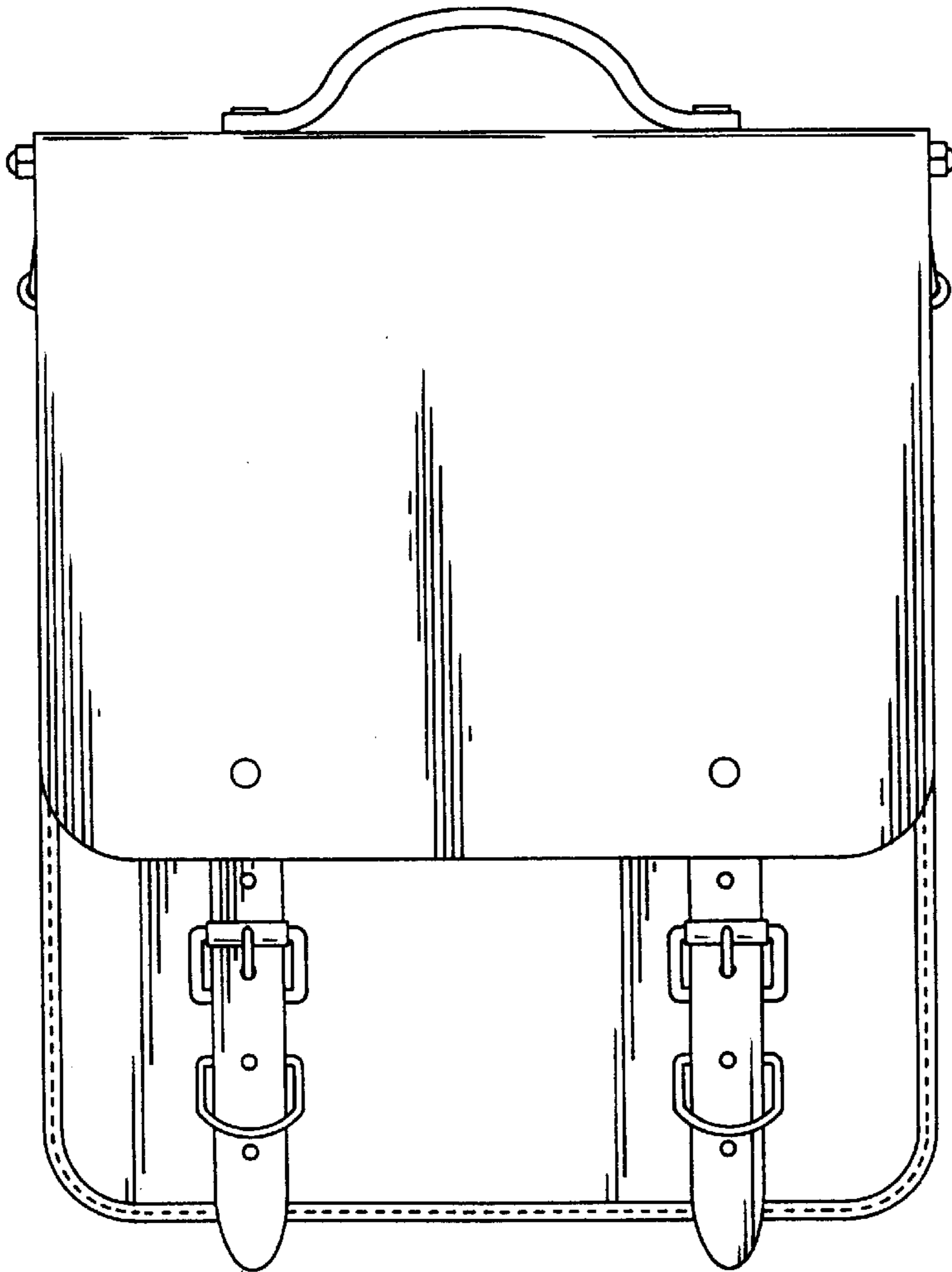


FIG. 3

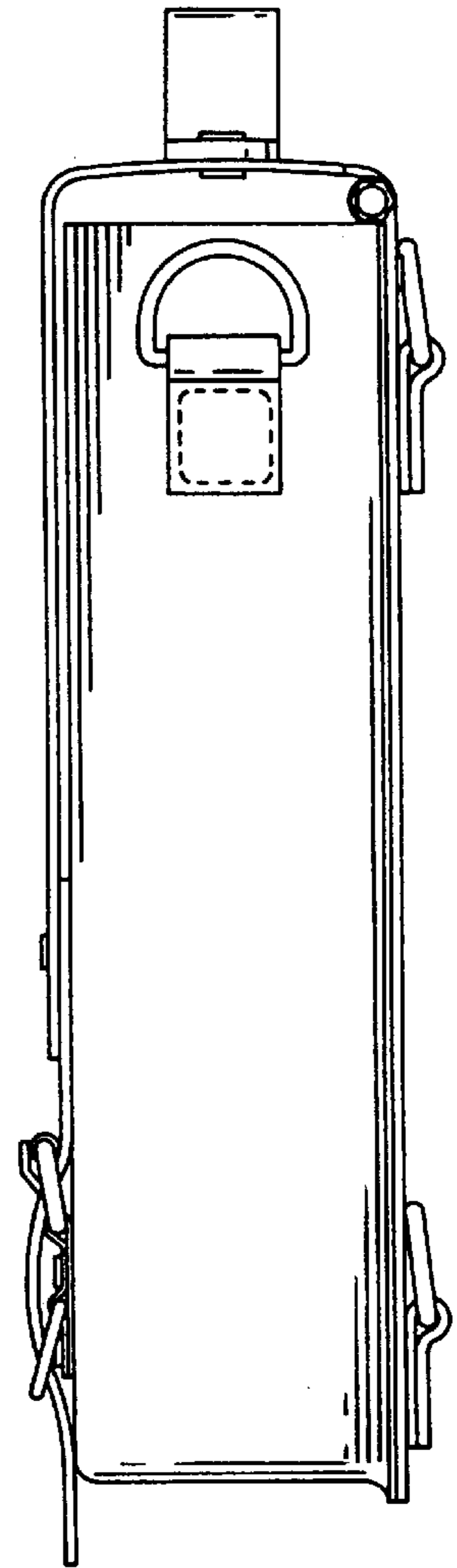


FIG. 4

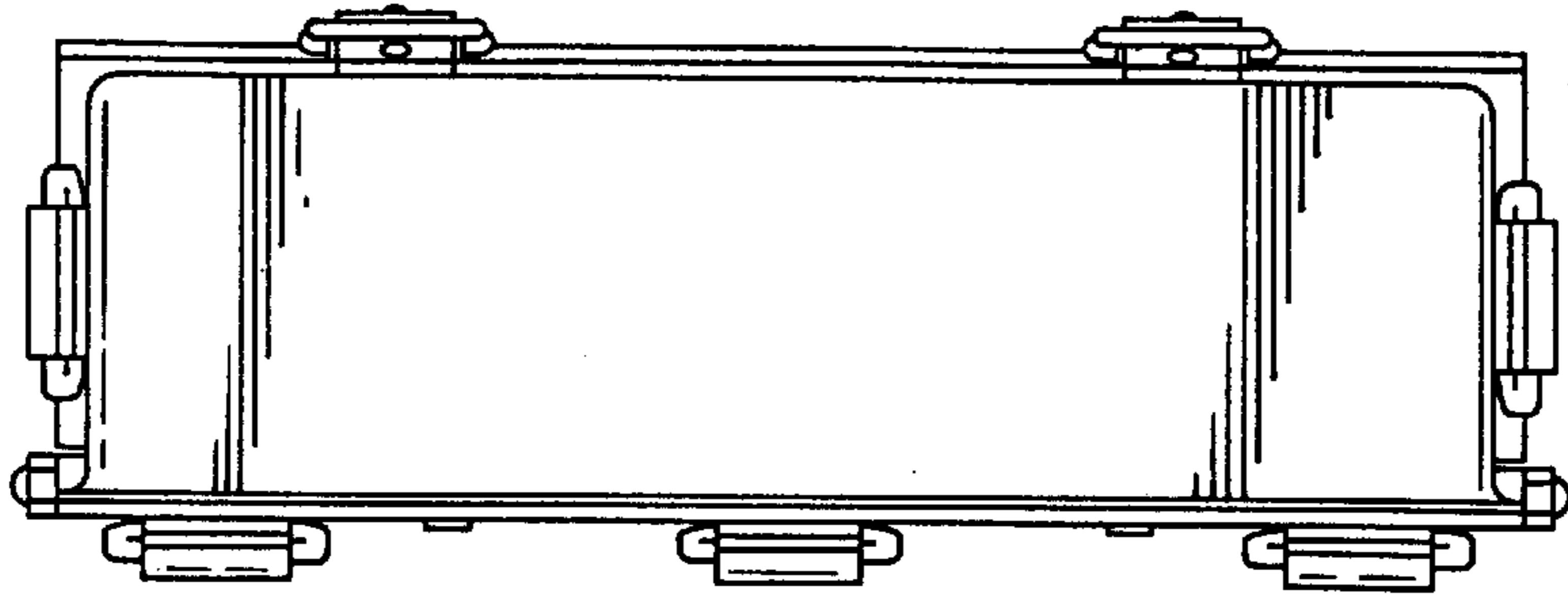


FIG. 5

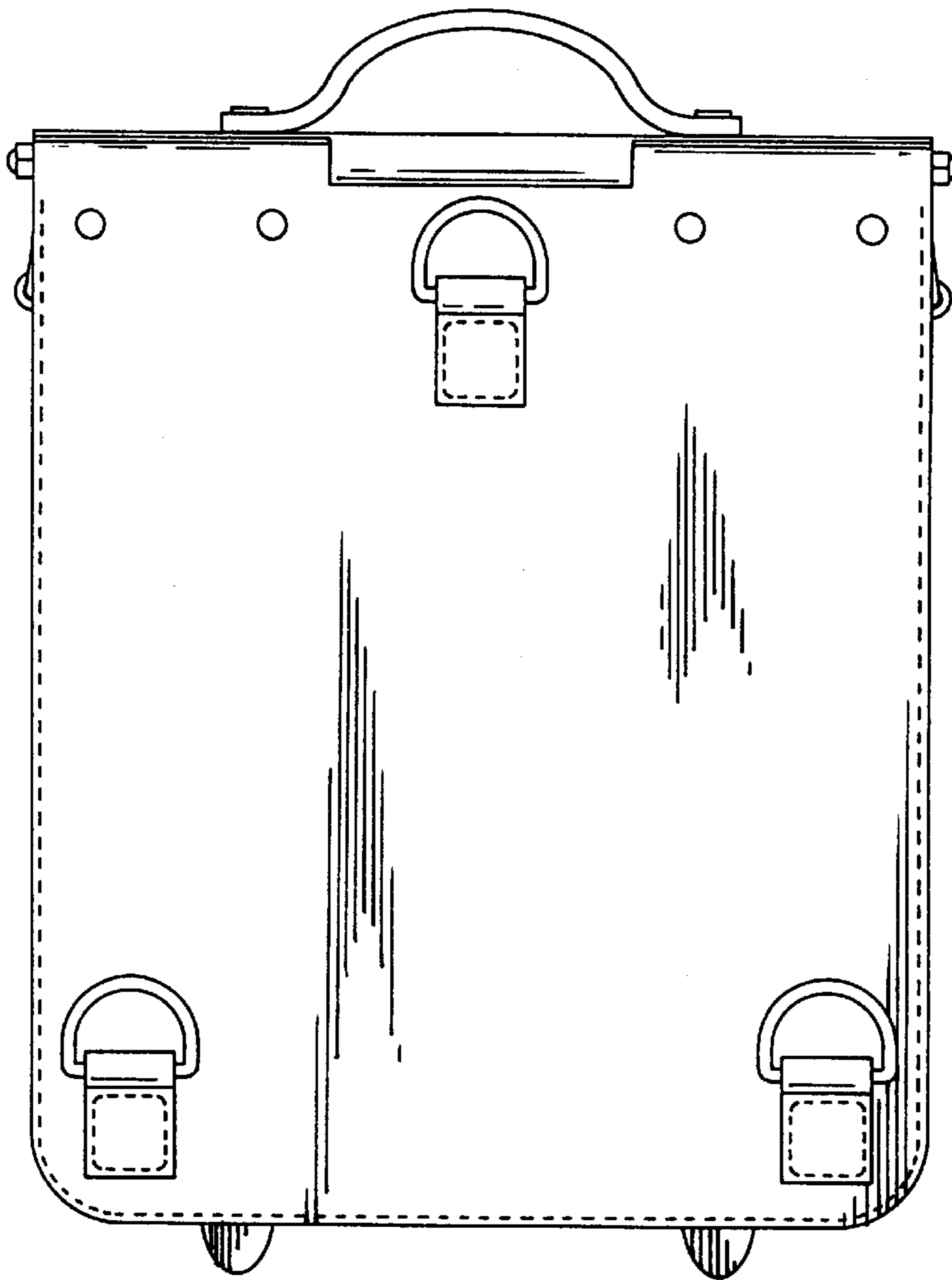


FIG. 6

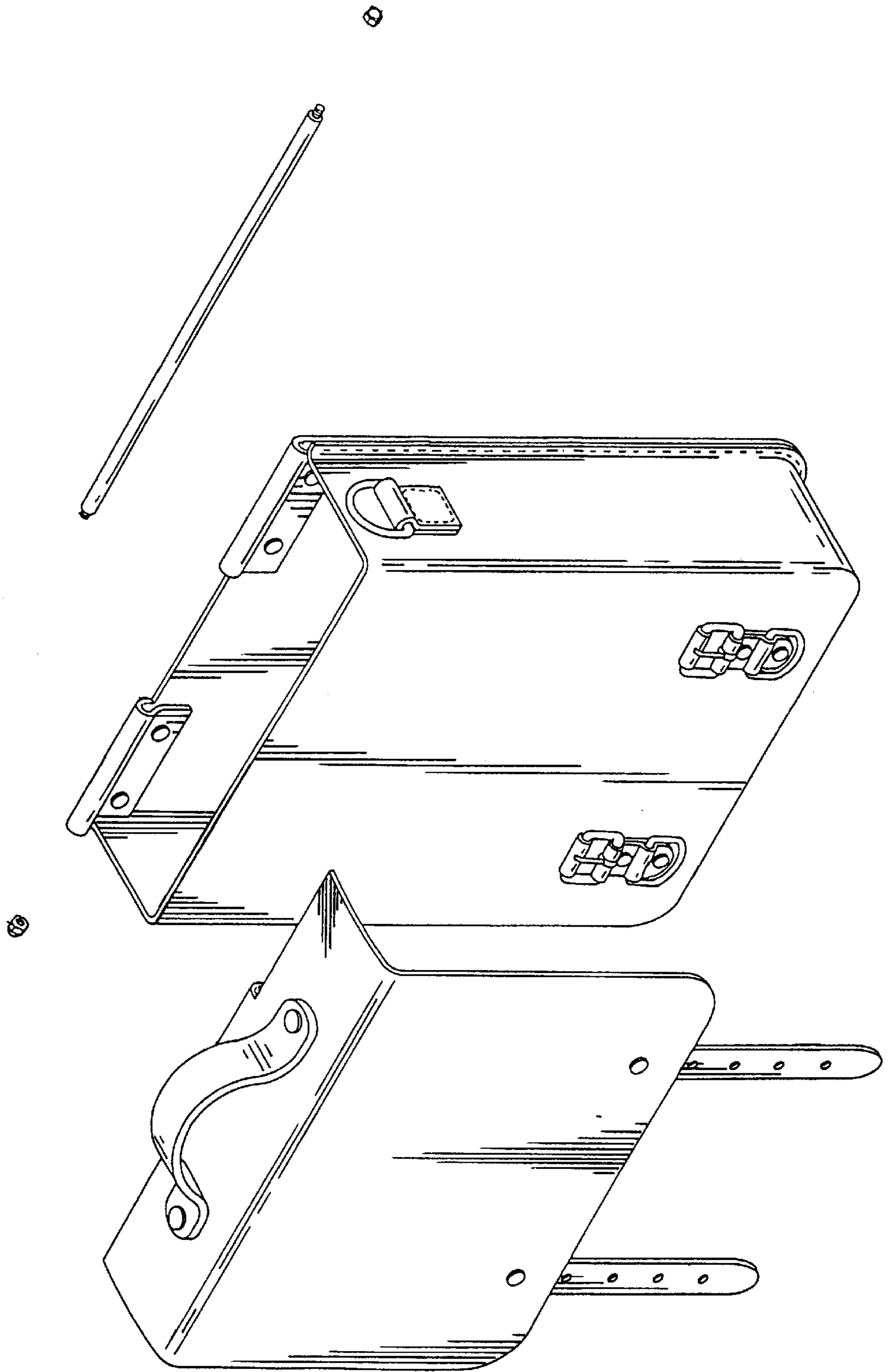


FIG. 7

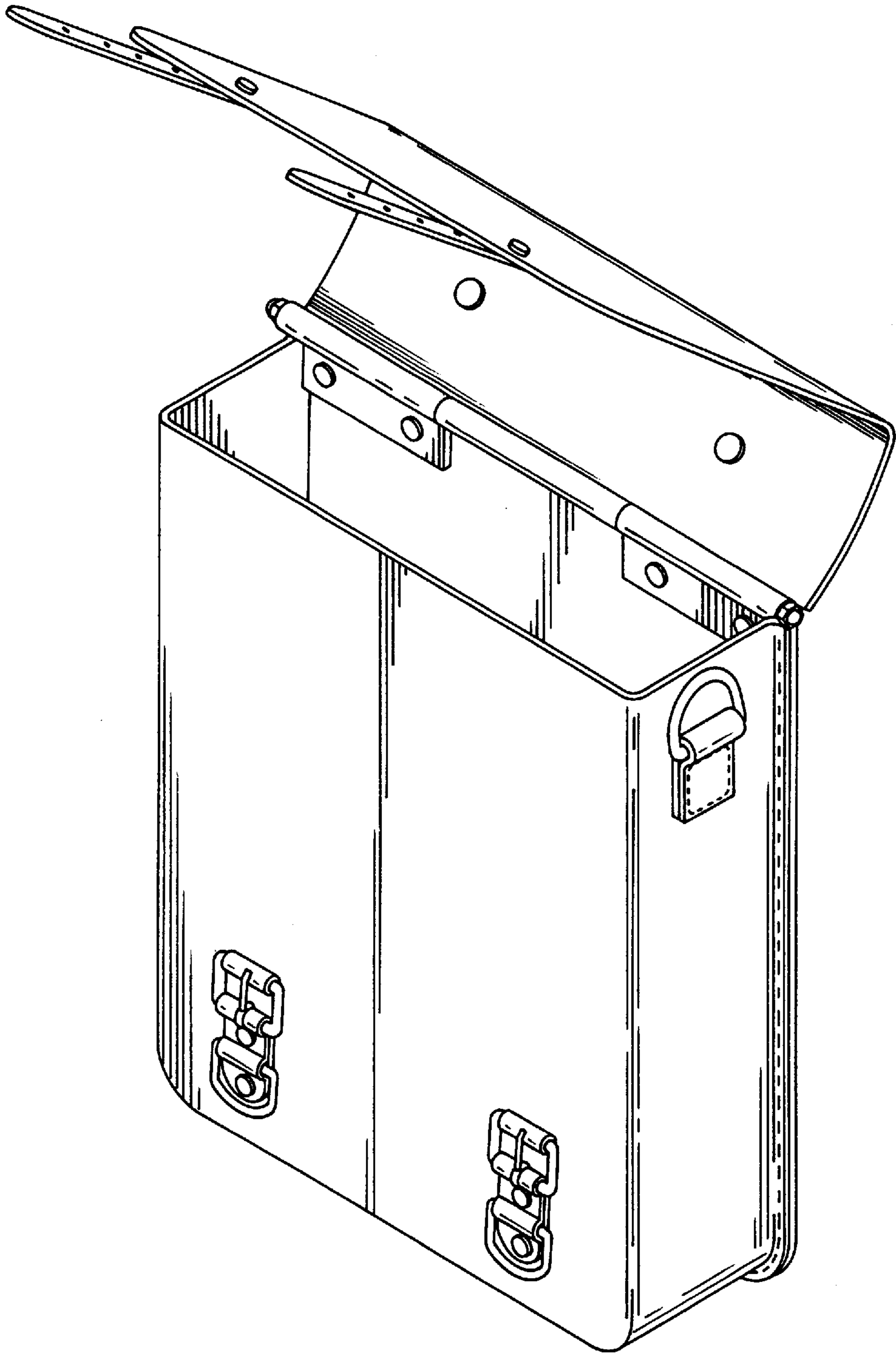


FIG. 8

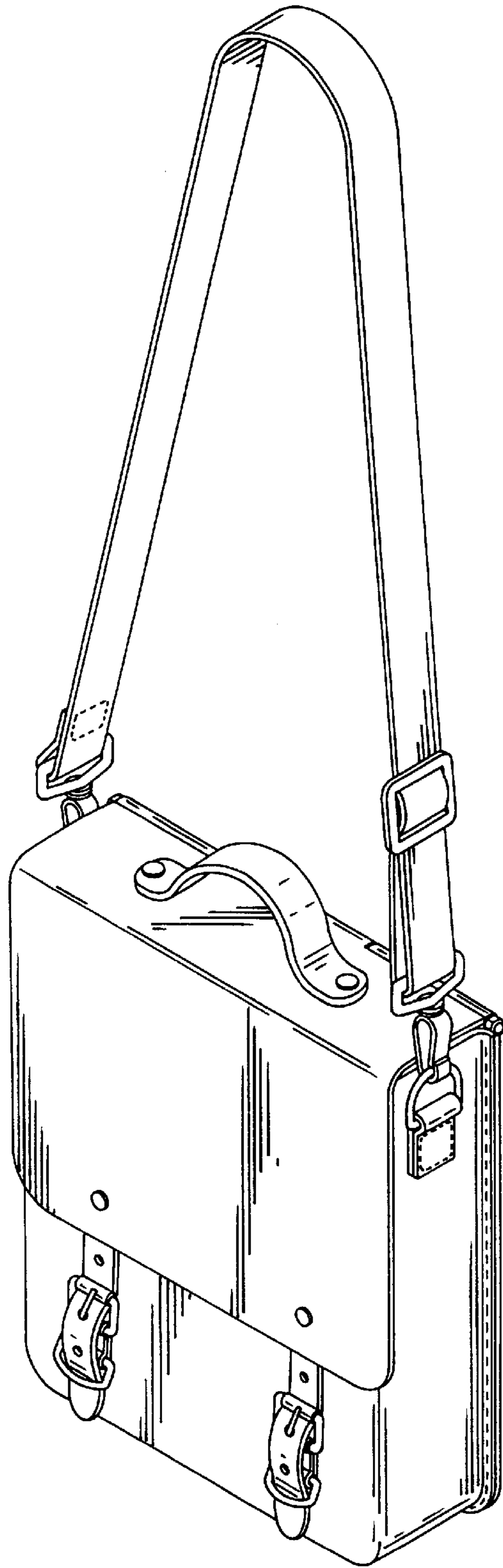


FIG. 9

