



US00D399055S

United States Patent [19]
Coady

[11] **Patent Number: Des. 399,055**

[45] **Date of Patent: **Oct. 6, 1998**

[54] **TOOL CADDY**

5,452,830 9/1995 Hopkins et al. 224/268 X
5,687,892 11/1997 Johns 224/904 X

[76] Inventor: **Pierce Coady**, 1613 Buffalo Rd., West
Des Moines, Iowa 50265

Primary Examiner—Doris V. Coles
Assistant Examiner—Catherine R. Oliver
Attorney, Agent, or Firm—James D. Birkenholz

[**] Term: **14 Years**

[21] Appl. No.: **66,764**

[57] **CLAIM**

[22] Filed: **Feb. 18, 1997**

The ornamental design of a “tool caddy”, as shown.

[51] **LOC (6) Cl.** **03-99**

DESCRIPTION

[52] **U.S. Cl.** **D3/228**

FIG. 1, is a perspective view of the tool caddy of the present invention;

[58] **Field of Search** D3/228, 215, 224,
D3/226, 315; 224/268, 901, 904

FIG. 2, is a top view thereof;

FIG. 3, is a front view thereof;

FIG. 4, is a bottom view thereof;

FIG. 5, is a rear view thereof;

FIG. 6, is a left side view thereof; and,

FIG. 7, is a right side view thereof.

[56] **References Cited**

U.S. PATENT DOCUMENTS

- D. 279,342 6/1985 Crawford D3/226 X
- D. 319,147 8/1991 Eberle, III D3/228
- D. 338,048 8/1993 Finley D3/320 X

1 Claim, 3 Drawing Sheets

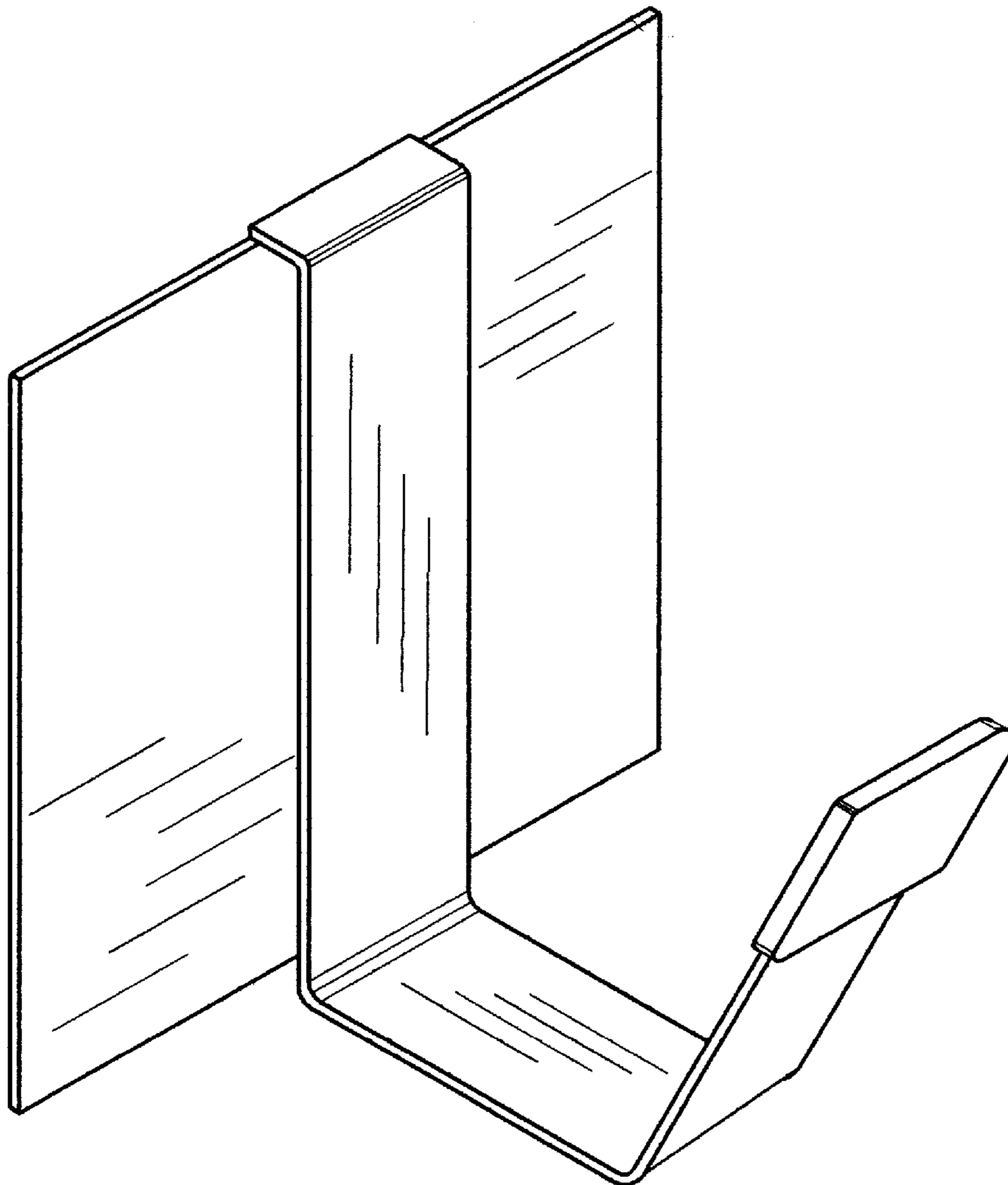


FIG. 1

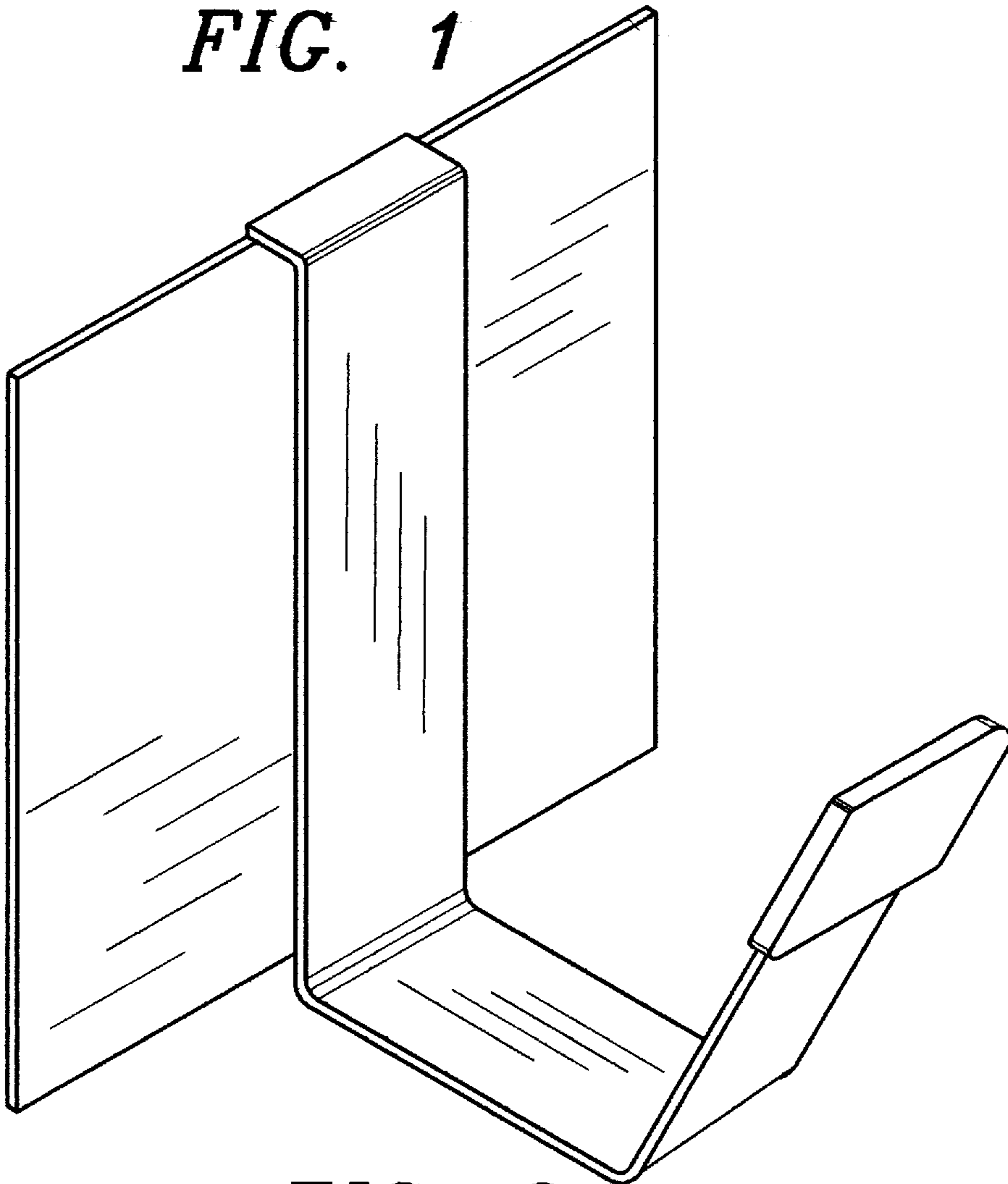


FIG. 2

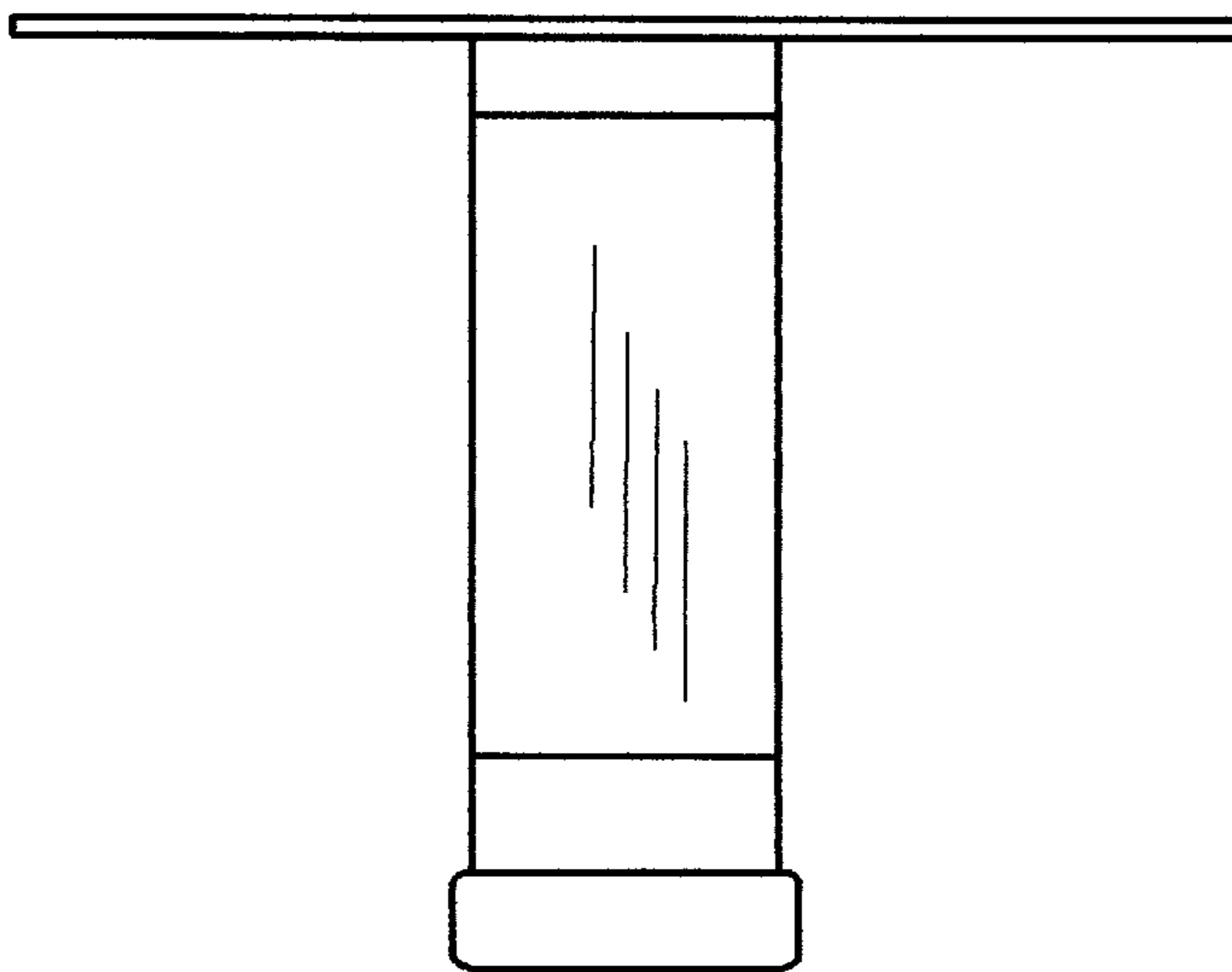


FIG. 3

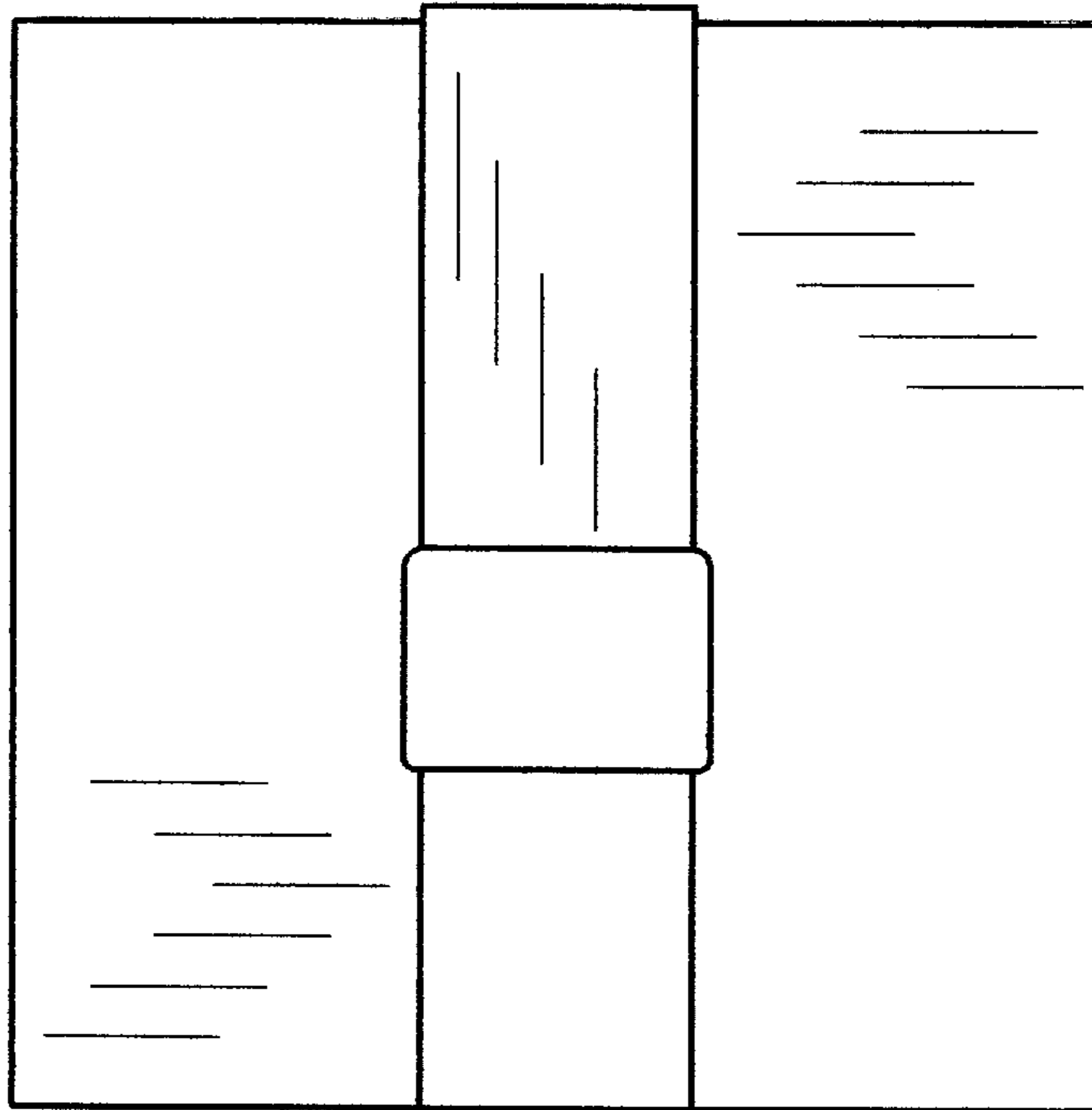


FIG. 4

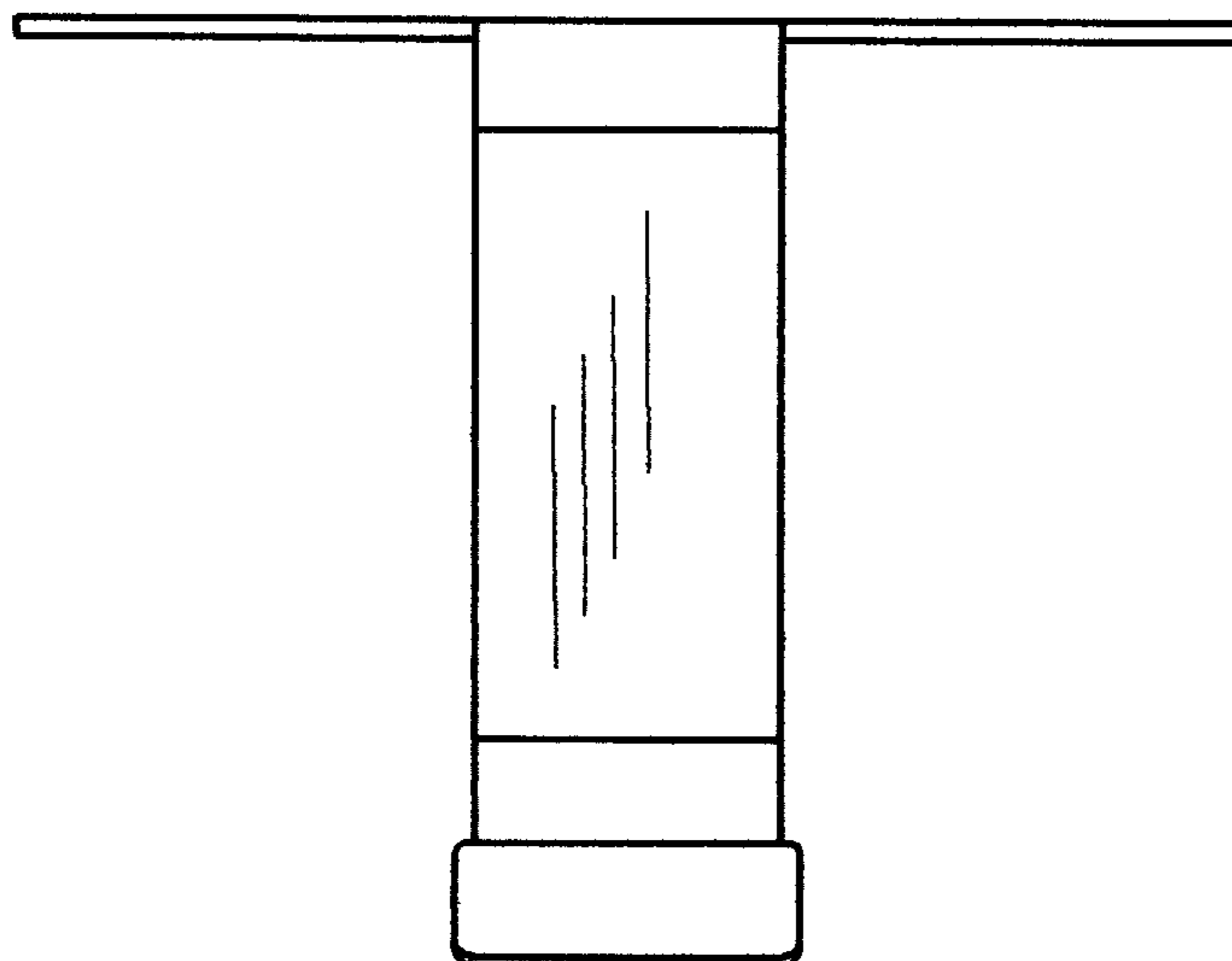


FIG. 5

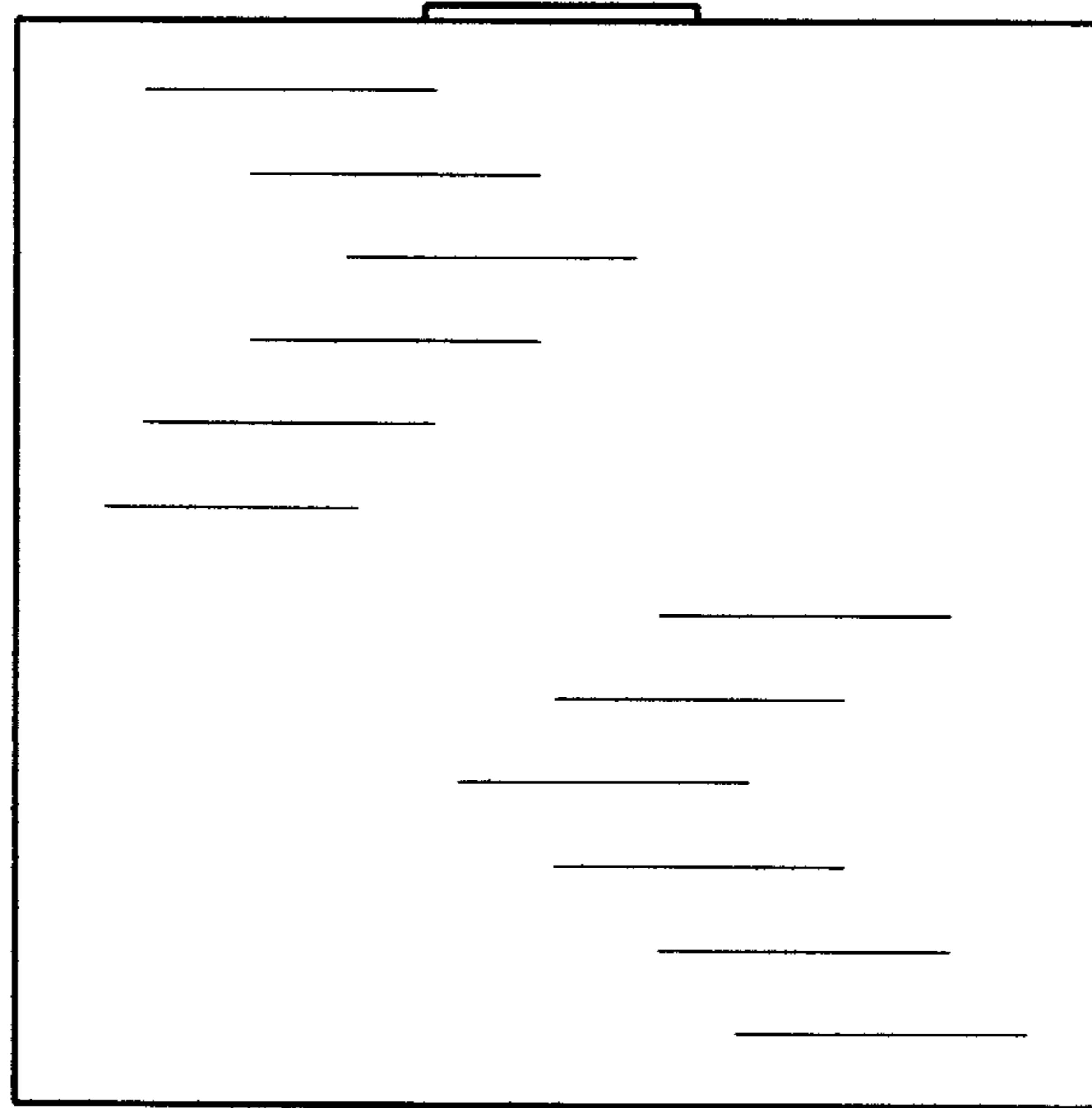


FIG. 6

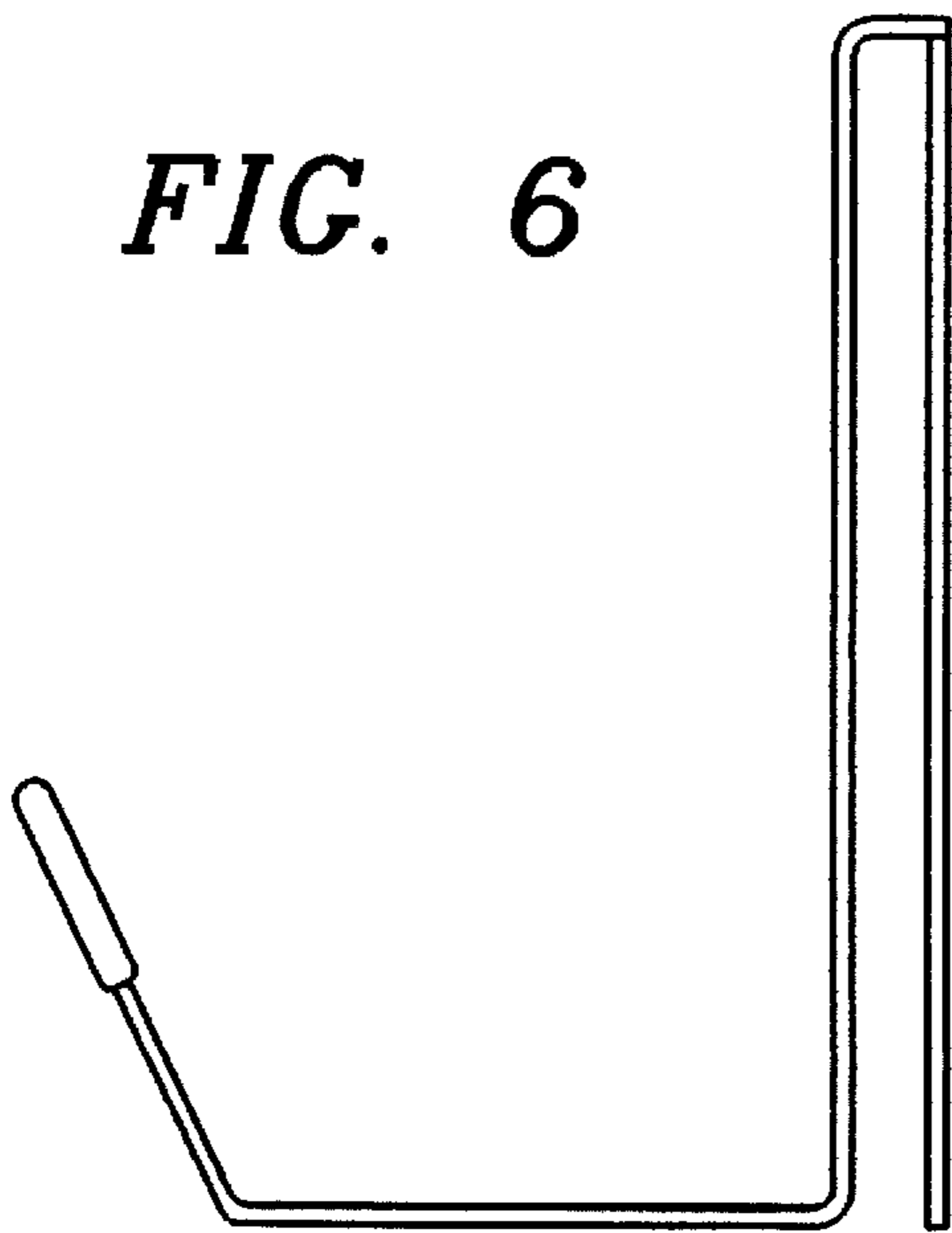


FIG. 7

