



US00D399048S

# United States Patent [19]

[11] **Patent Number: Des. 399,048**

Sayre

[45] **Date of Patent: \*\*Oct. 6, 1998**

[54] **CANTEEN CAP WITH DRINKING SYSTEM**

[76] Inventor: **R. Scott Sayre**, 15 High Meadow Dr., Rockbridge County, Va. 24450

[\*\*] Term: **14 Years**

[21] Appl. No.: **74,189**

[22] Filed: **Jul. 28, 1997**

[51] **LOC (6) Cl. .... 09-02**

[52] **U.S. Cl. .... D3/202; D9/453; D9/447**

[58] **Field of Search** ..... D3/201, 202; D9/436, D9/438, 447, 452, 453, 448, 337, 339; D7/507, 509, 510, 511, 602, 608, 629; 206/541, 547, 550; 220/269, 254, 703-715, 906, 86.3, DIG. 27; 215/388, 228, 229, 387, 389

[56] **References Cited**

**U.S. PATENT DOCUMENTS**

32,744	7/1861	Bartholomae	206/547	X
D. 44,371	7/1913	Kopecky	D3/202	
D. 330,332	10/1992	Pezzoli et al.	D9/453	X
D. 359,236	6/1995	Spafford et al.	D9/447	
D. 359,684	6/1995	Duggan et al.	D9/436	
4,099,642	7/1978	Nergard	220/337	X
4,700,861	10/1987	Neward	215/309	
4,930,652	6/1990	Murphy et al.	215/388	X
5,238,140	8/1993	Maze	206/217	X
5,339,982	8/1994	Tardie	220/708	
5,370,279	12/1994	Tardie	220/214	
5,520,304	5/1996	Lin	215/388	X

*Primary Examiner*—Prabhakar G. Deshmukh  
*Attorney, Agent, or Firm*—Mark Clodfelter

[57] **CLAIM**

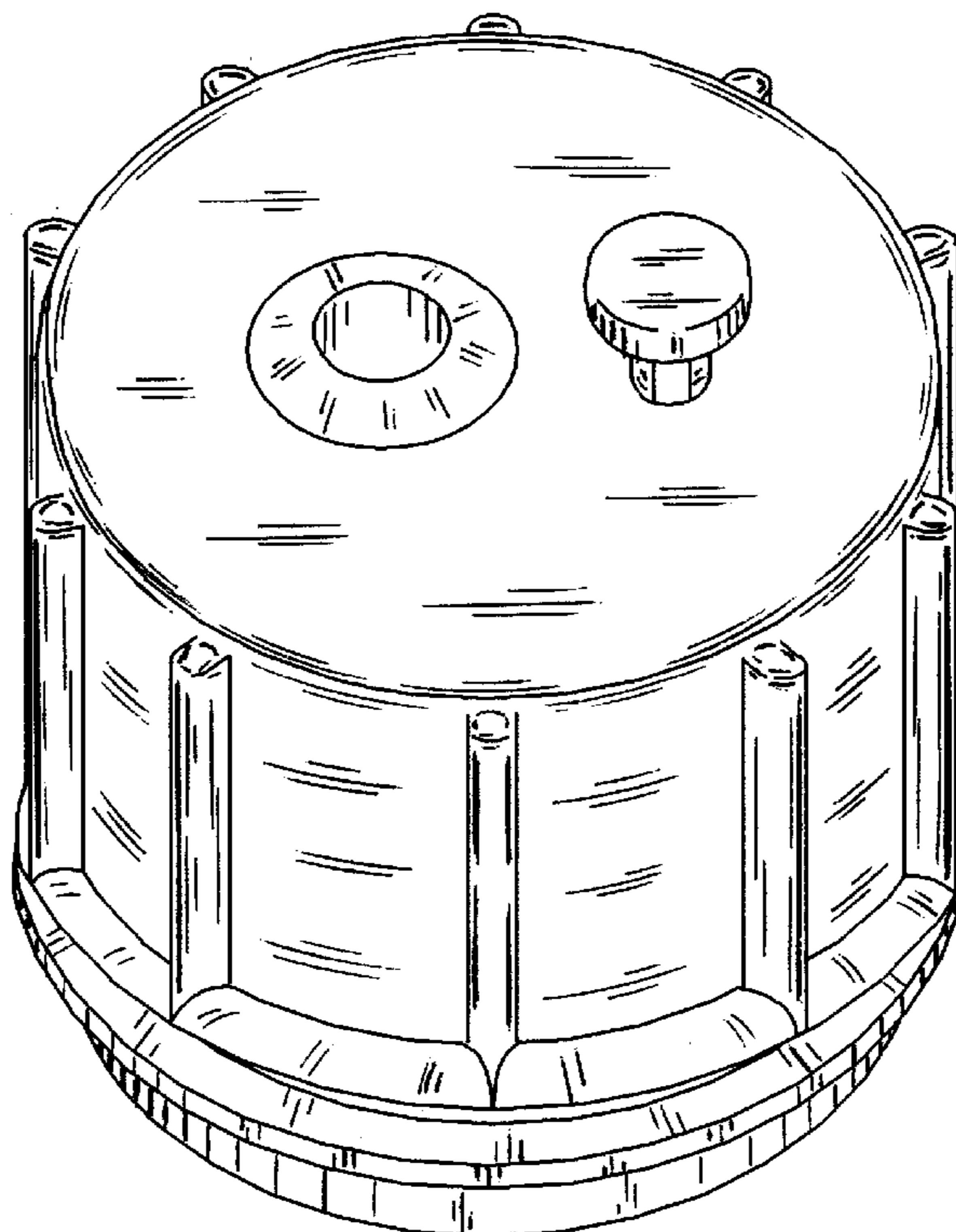
The ornamental design for a canteen cap with drinking system, as shown and described.

**DESCRIPTION**

FIG. 1 is a perspective view of a canteen cap with drinking system showing my new design; shown without the drinking tube for clarity and an air vent in an open position; the view from the opposite side is a mirror image thereof; FIG. 2 is an elevational view thereof; shown with the drinking tube and an air vent in a closed position; FIG. 3 is an elevational view thereof; shown with an air vent in an open position; FIG. 4 is an elevational view thereof; shown in it's environmental use; it is understood the drinking tube being of indeterminate length; FIG. 5 is an enlarged scale perspective view of the drinking tube end; shown with it's bite valve in a closed position; FIG. 6 is an enlarged scale perspective view of the drinking tube end; shown with it's bite valve in an open position; FIG. 7 is a perspective view of a second embodiment of FIG. 1; without an air valve; shown without the drinking tube for clarity; and, FIG. 8 is an elevational view of FIG. 7; with the drinking tube.

The broken line showing of bottle in FIG. 4 is for illustrative purpose only and forms no part of the claimed design. FIGS. 1, 5, 6 and 7 are shown in an enlarged scale for clarity. FIG. 4 is shown in further reduced scale than other figures. The bottom of the cap is plain and unornamented.

**1 Claim, 5 Drawing Sheets**



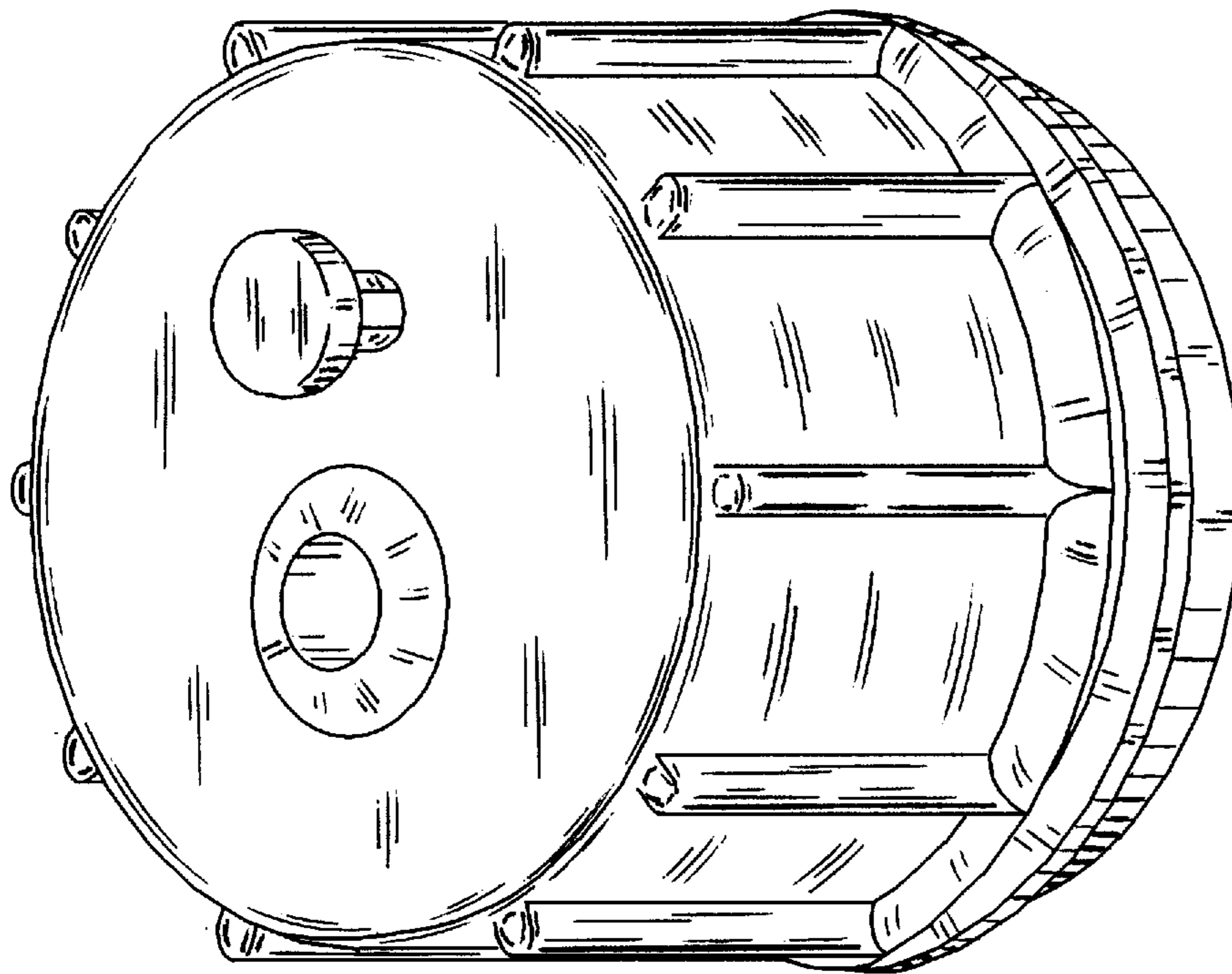


FIG. 1

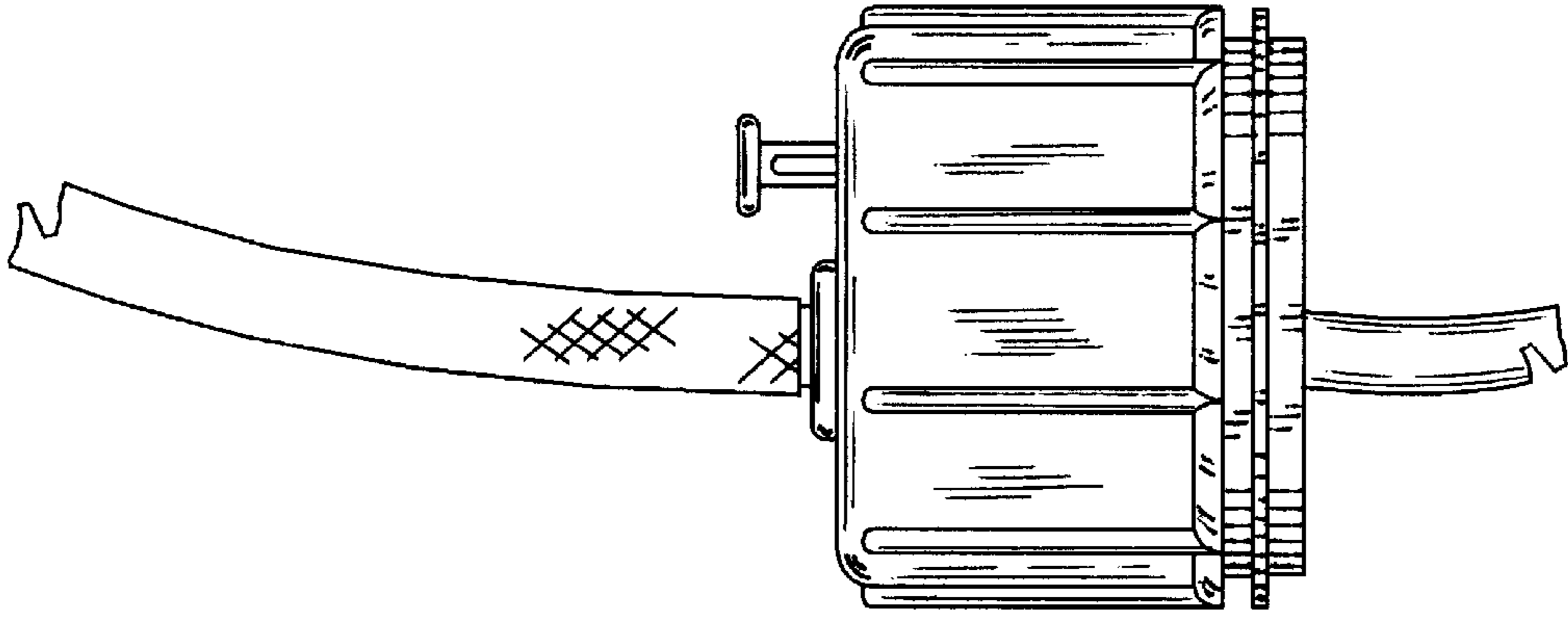


FIG. 3

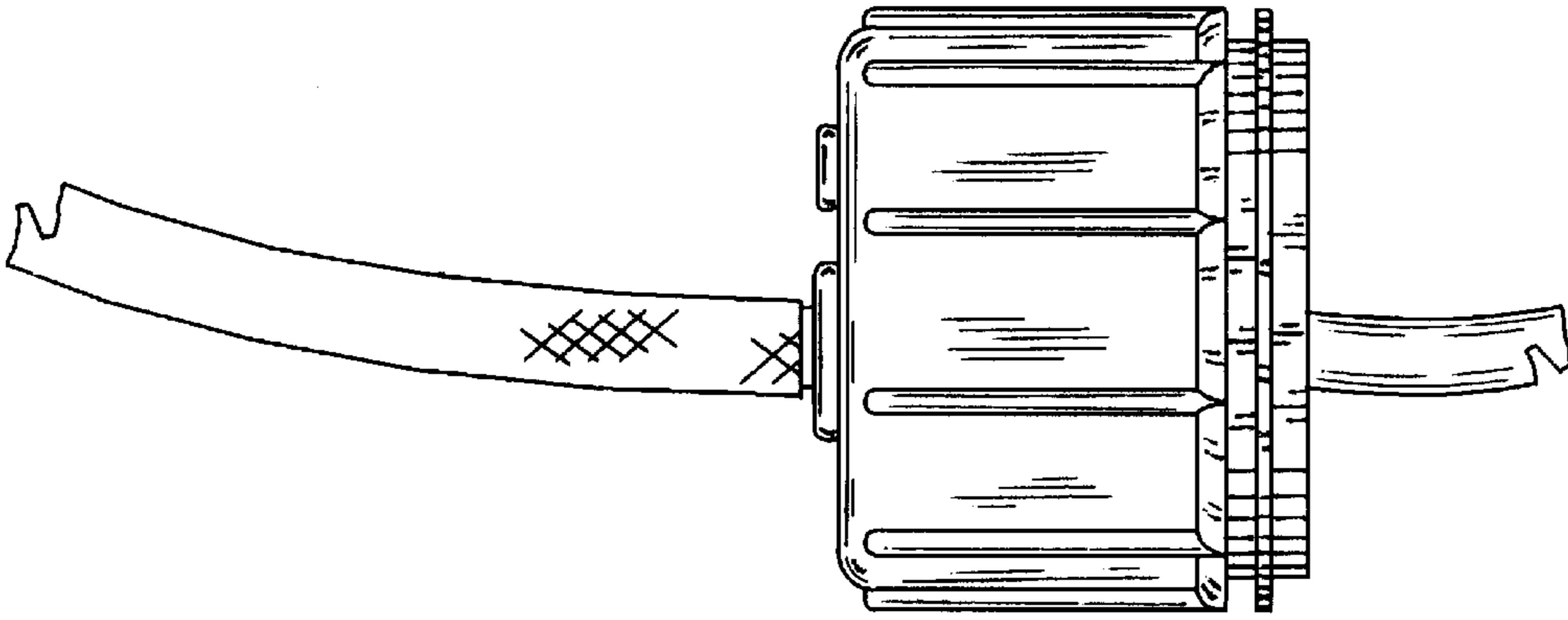


FIG. 2

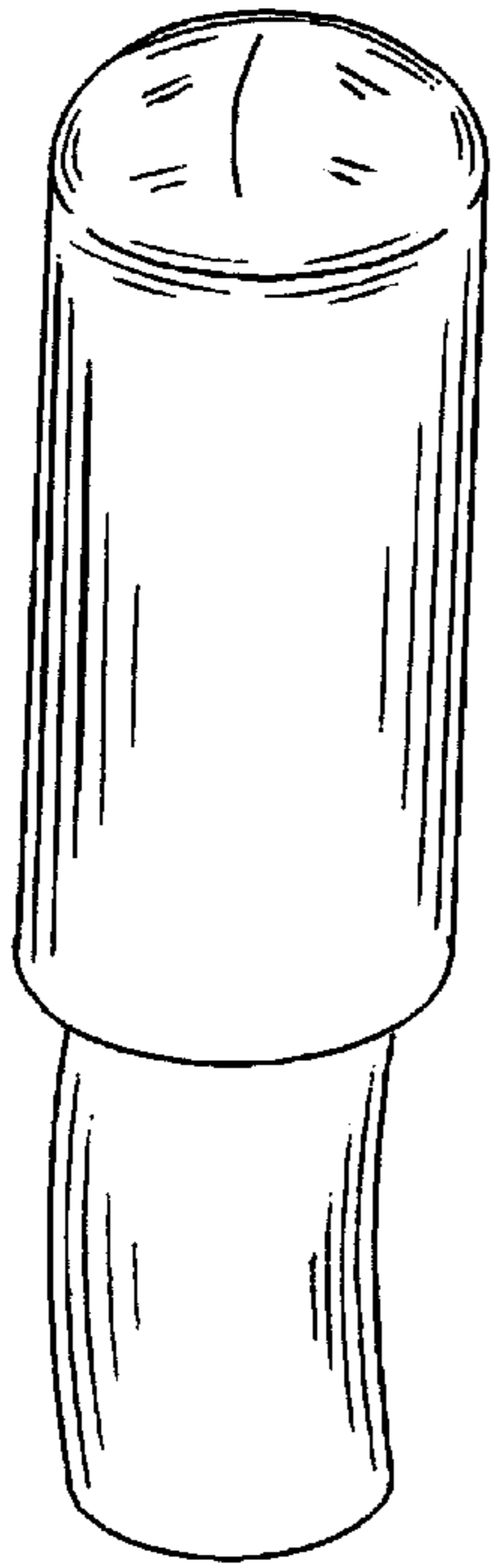


FIG. 5

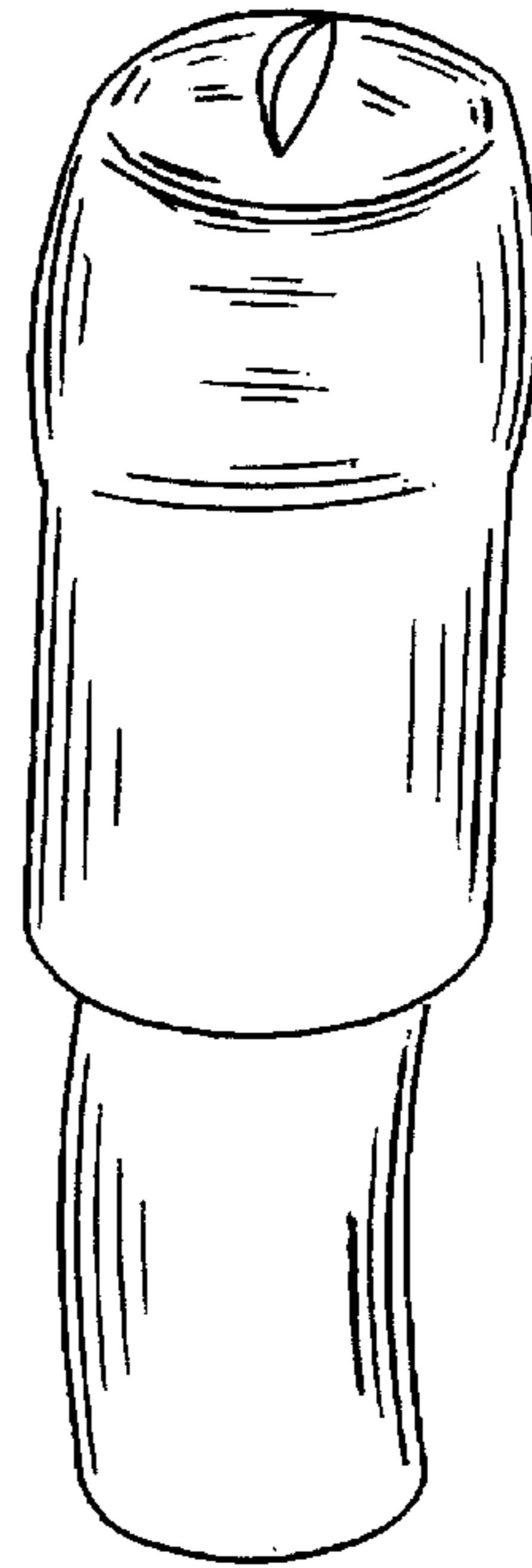


FIG. 6

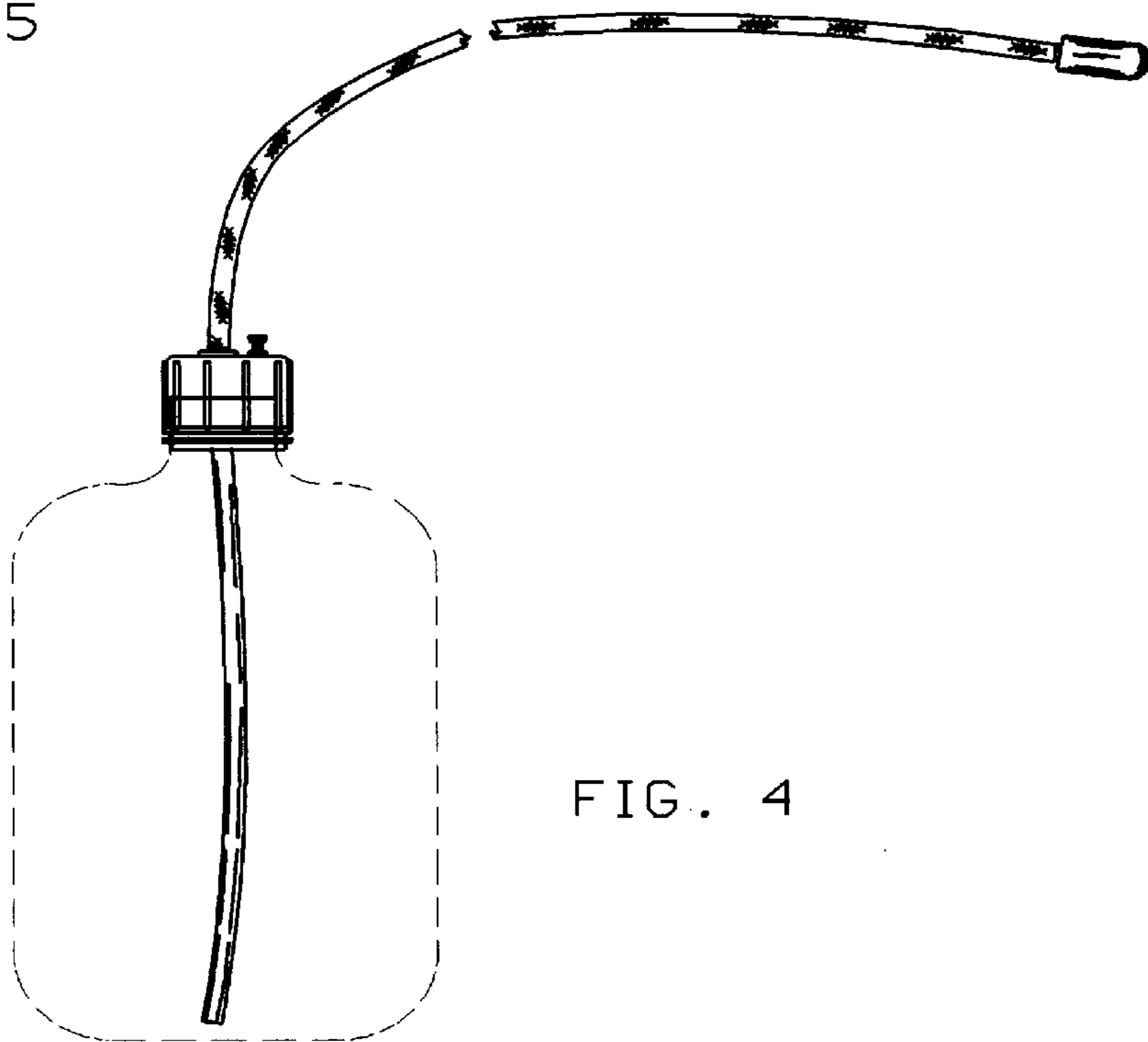


FIG. 4

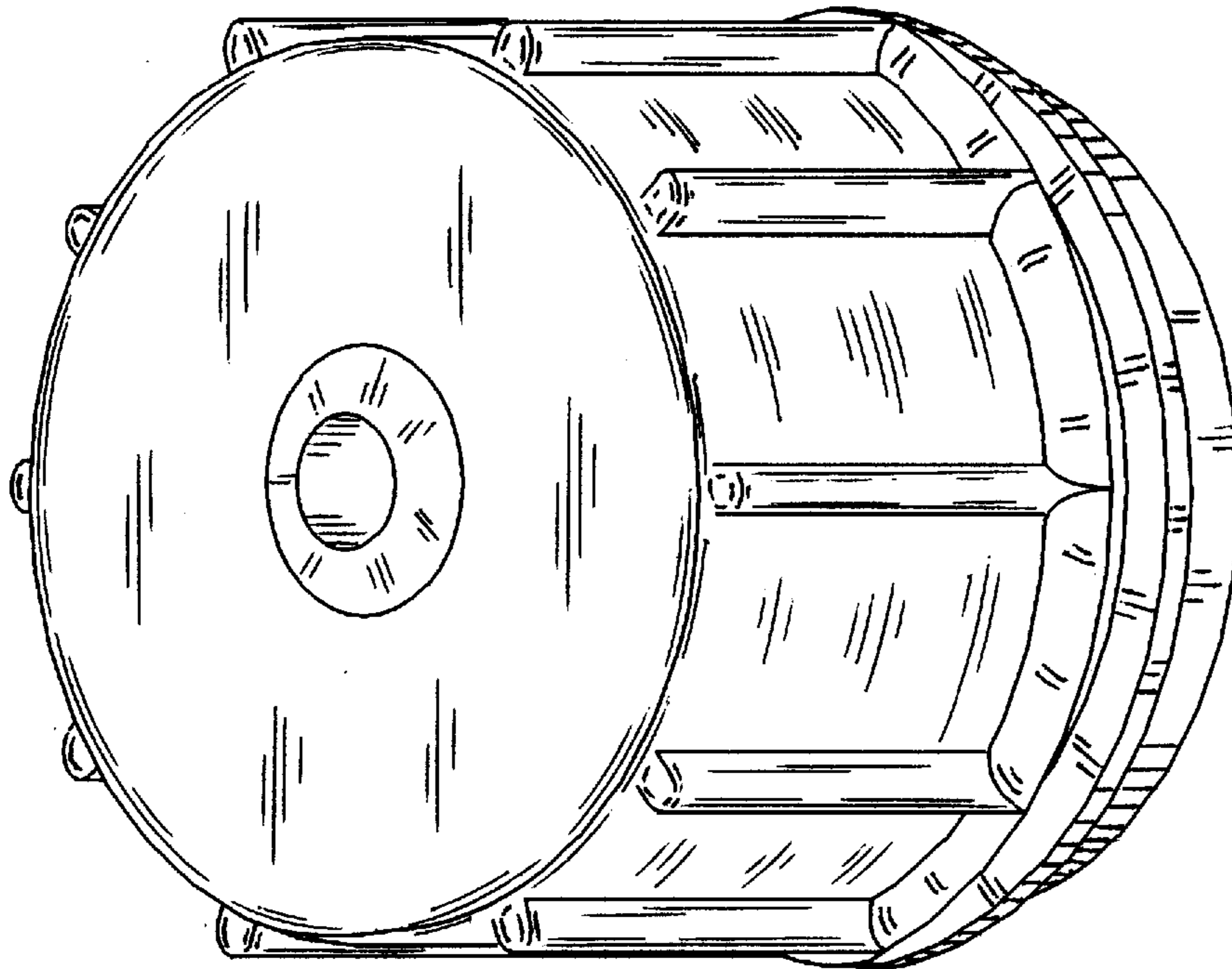


FIG. 7

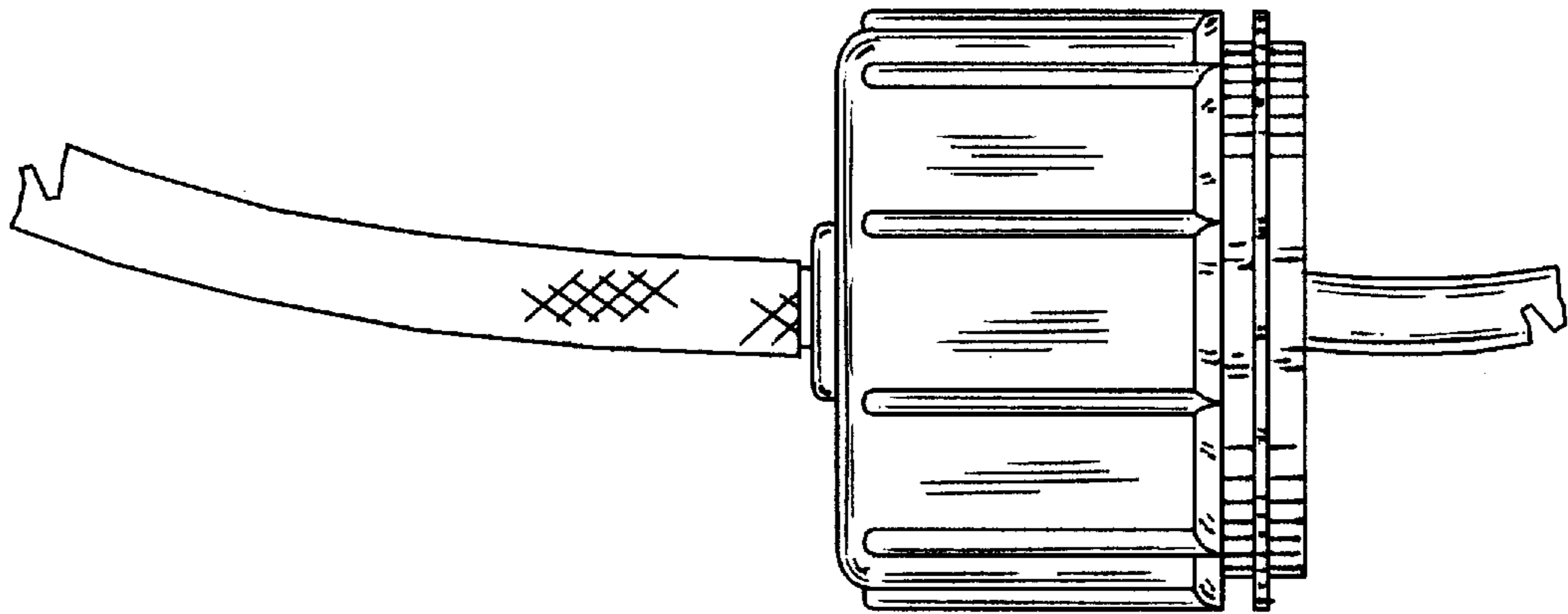


FIG. 8