



US00D399047S

United States Patent [19]

Yoshida et al.

[11] **Patent Number:** **Des. 399,047**

[45] **Date of Patent:** ****Oct. 6, 1998**

[54] **MODULAR PLUG**

[75] Inventors: **Mitsuhiro Yoshida; Yoshiyuki Kaku,**
both of Tokyo, Japan

[73] Assignee: **SMK Corporation,** Tokyo, Japan

[**] Term: **14 Years**

[21] Appl. No.: **75,166**

[22] Filed: **Aug. 19, 1997**

[51] **LOC (6) Cl.** **13-03**

[52] **U.S. Cl.** **D13/147**

[58] **Field of Search** D13/133, 146,
D13/147; 439/344, 350-354, 357, 358,
606-610, 676, 701

[56] **References Cited**

U.S. PATENT DOCUMENTS

5,338,438	8/1994	Orlando	439/344
5,685,731	11/1997	Lin	439/344
5,727,962	3/1998	Caveney et al.	439/344

Primary Examiner—Alan P. Douglas
Assistant Examiner—Lavone D. Tabor
Attorney, Agent, or Firm—Armstrong, Westerman, Hattori,
McLeland & Naughton

[57] **CLAIM**

The ornamental design for a modular plug, as shown and described.

DESCRIPTION

FIG. 1 is a perspective view taken from right, upper corner of a modular plug showing our new design;
FIG. 2 is a perspective view taken from right, lower corner thereof;
FIG. 3 is a front view thereof;
FIG. 4 is a rear view thereof;
FIG. 5 is a top view thereof;
FIG. 6 is a bottom view thereof; and,
FIG. 7 is a right side view thereof, the left side view being a mirror image thereof.

1 Claim, 2 Drawing Sheets

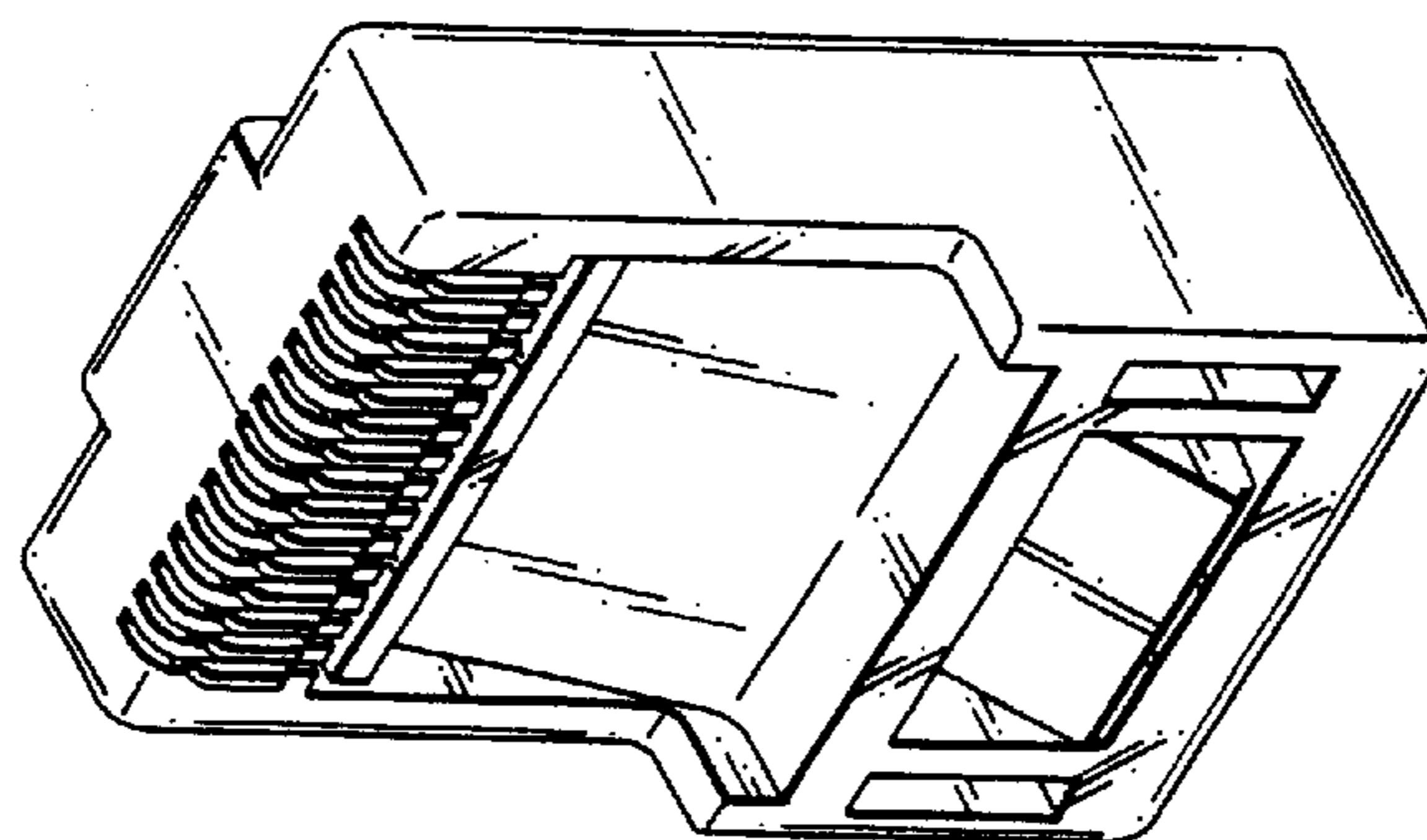
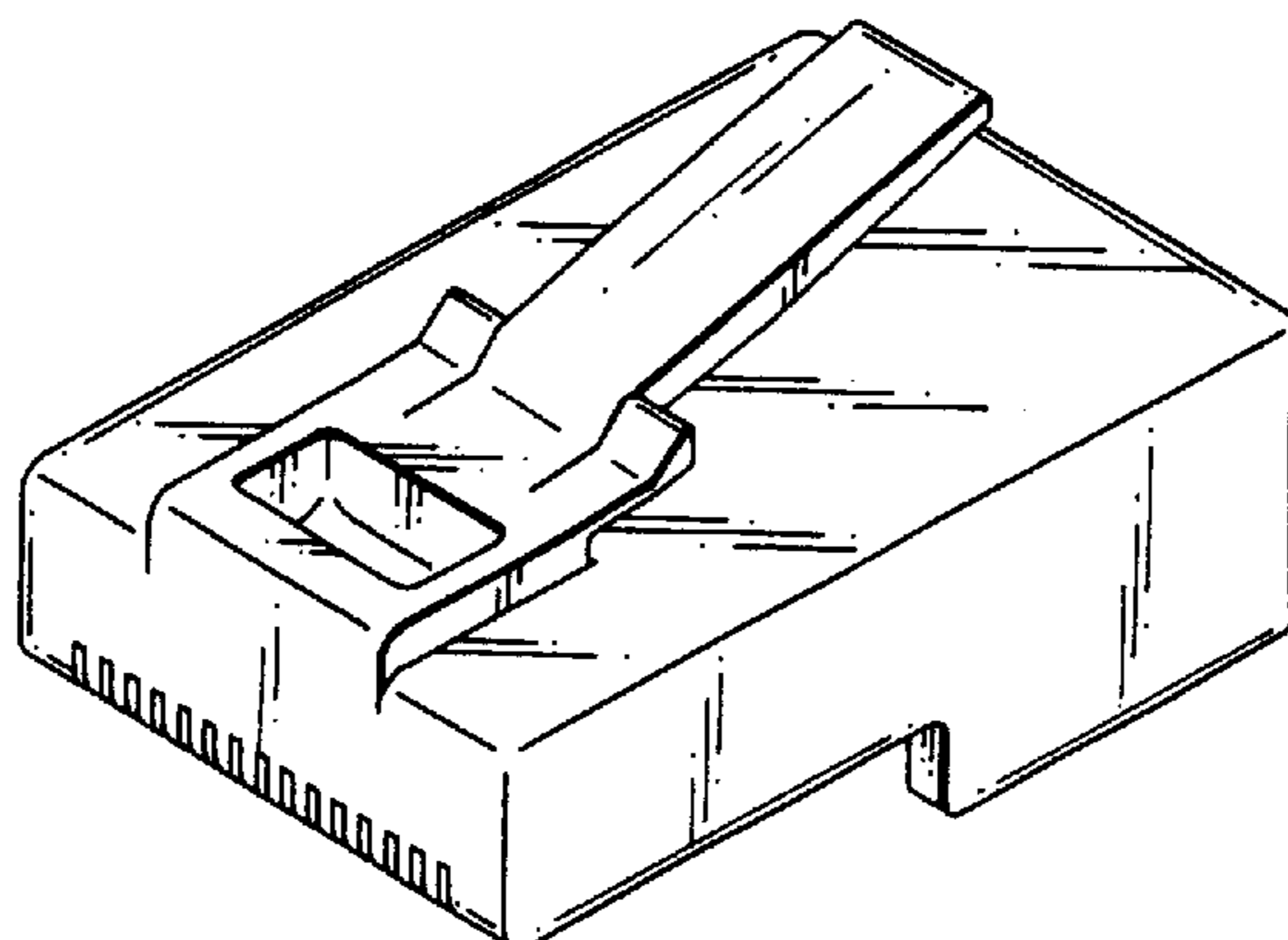


FIG. 1

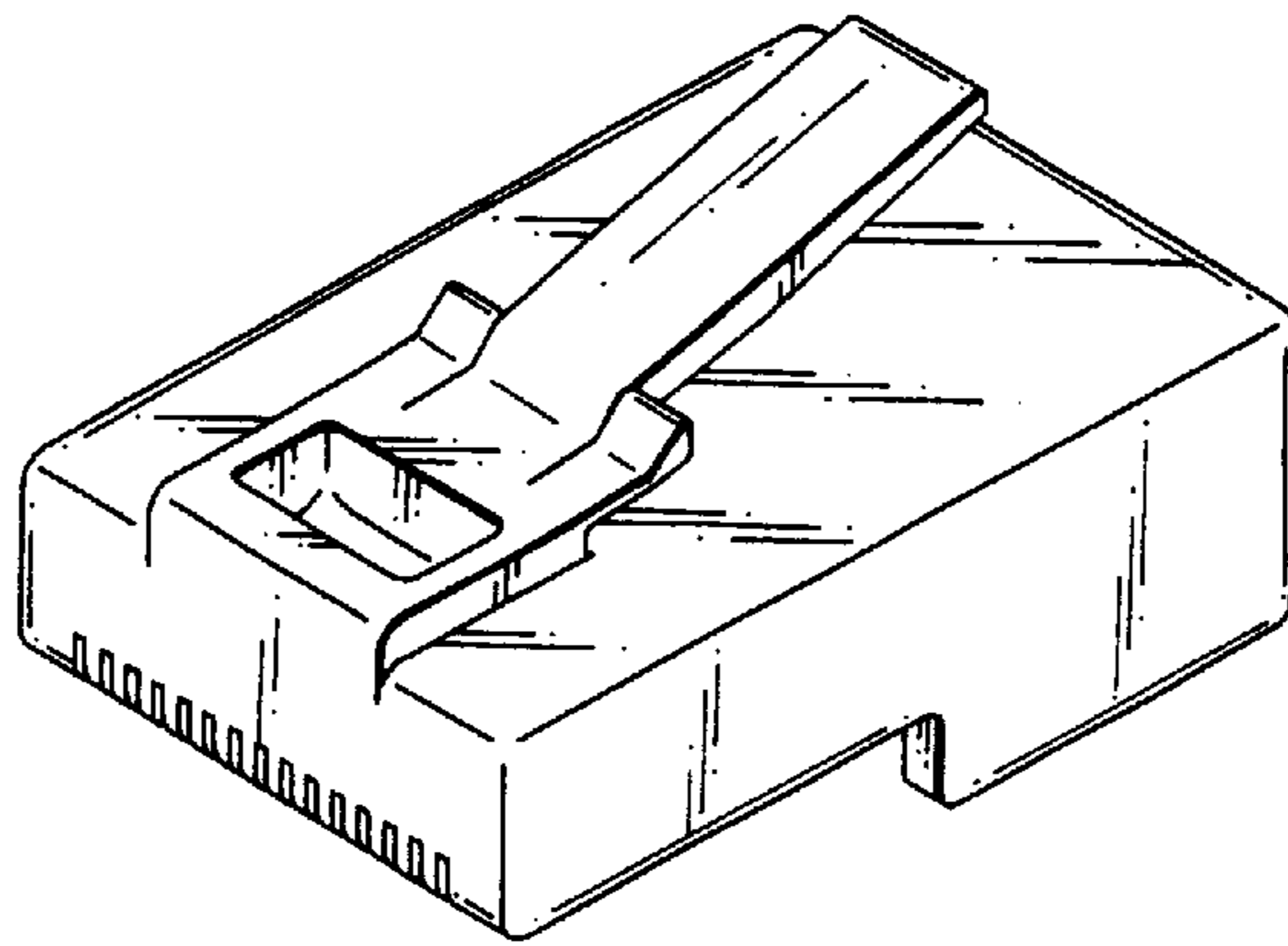


FIG. 2

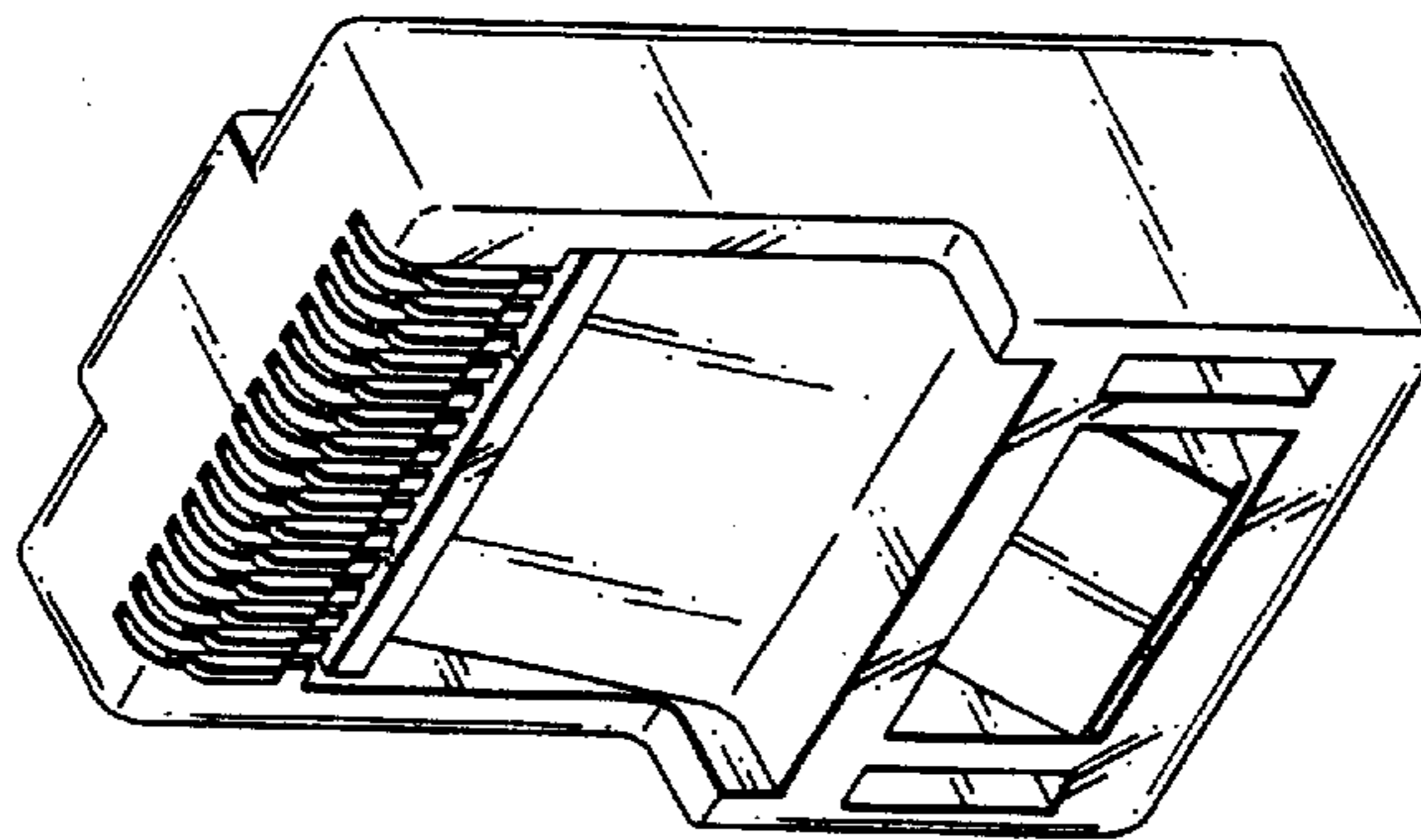


FIG. 3

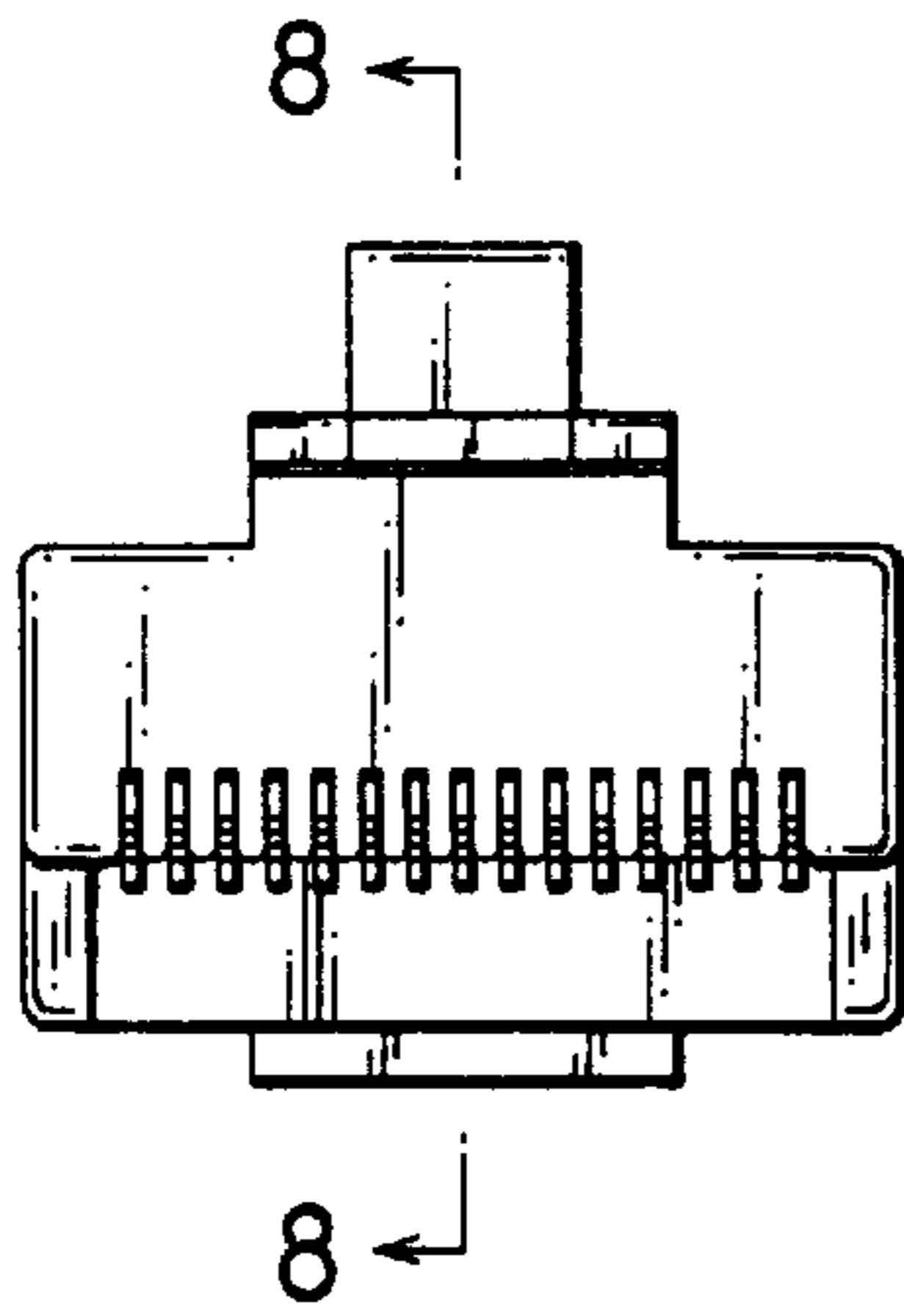


FIG. 4

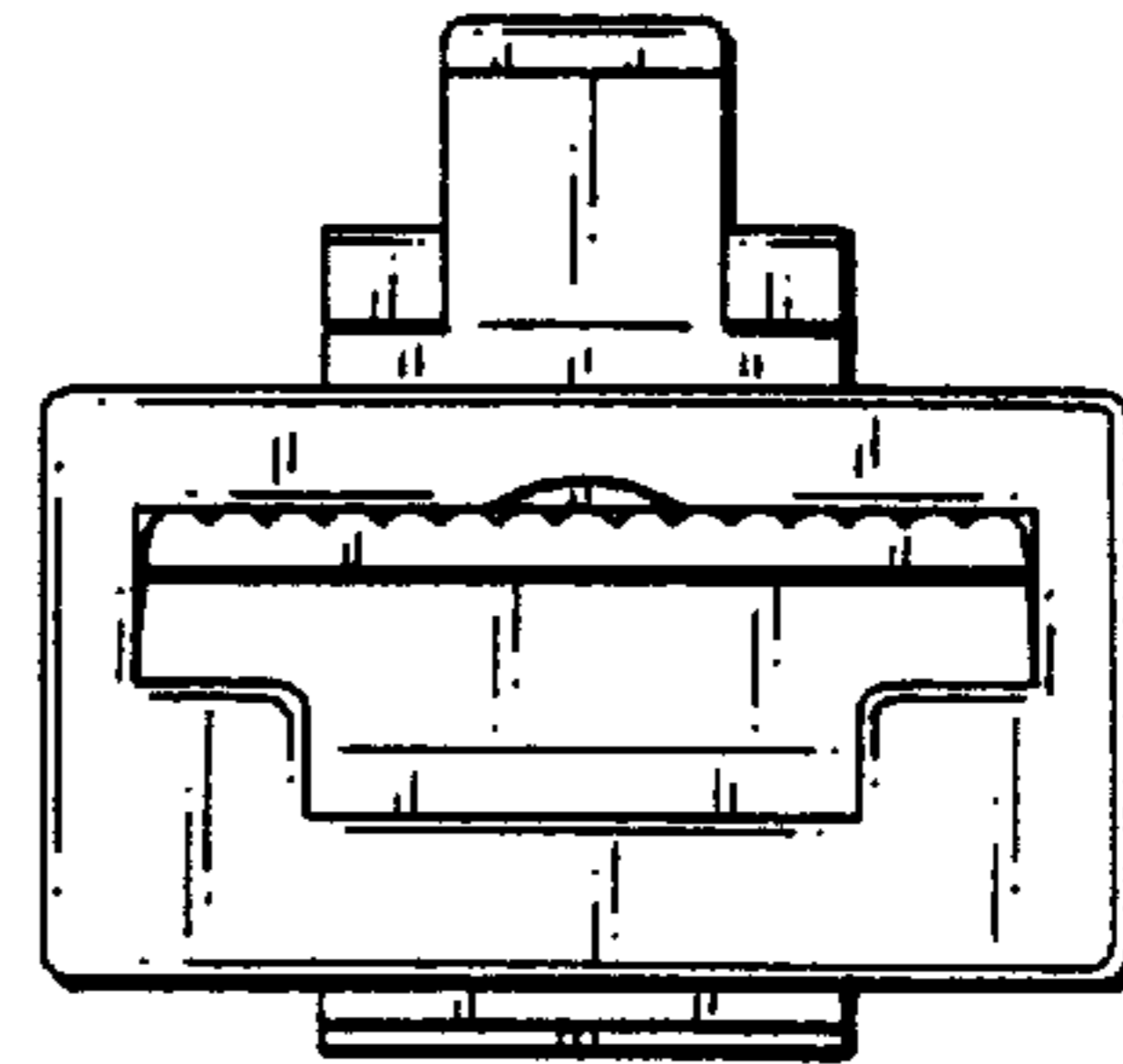


FIG. 5

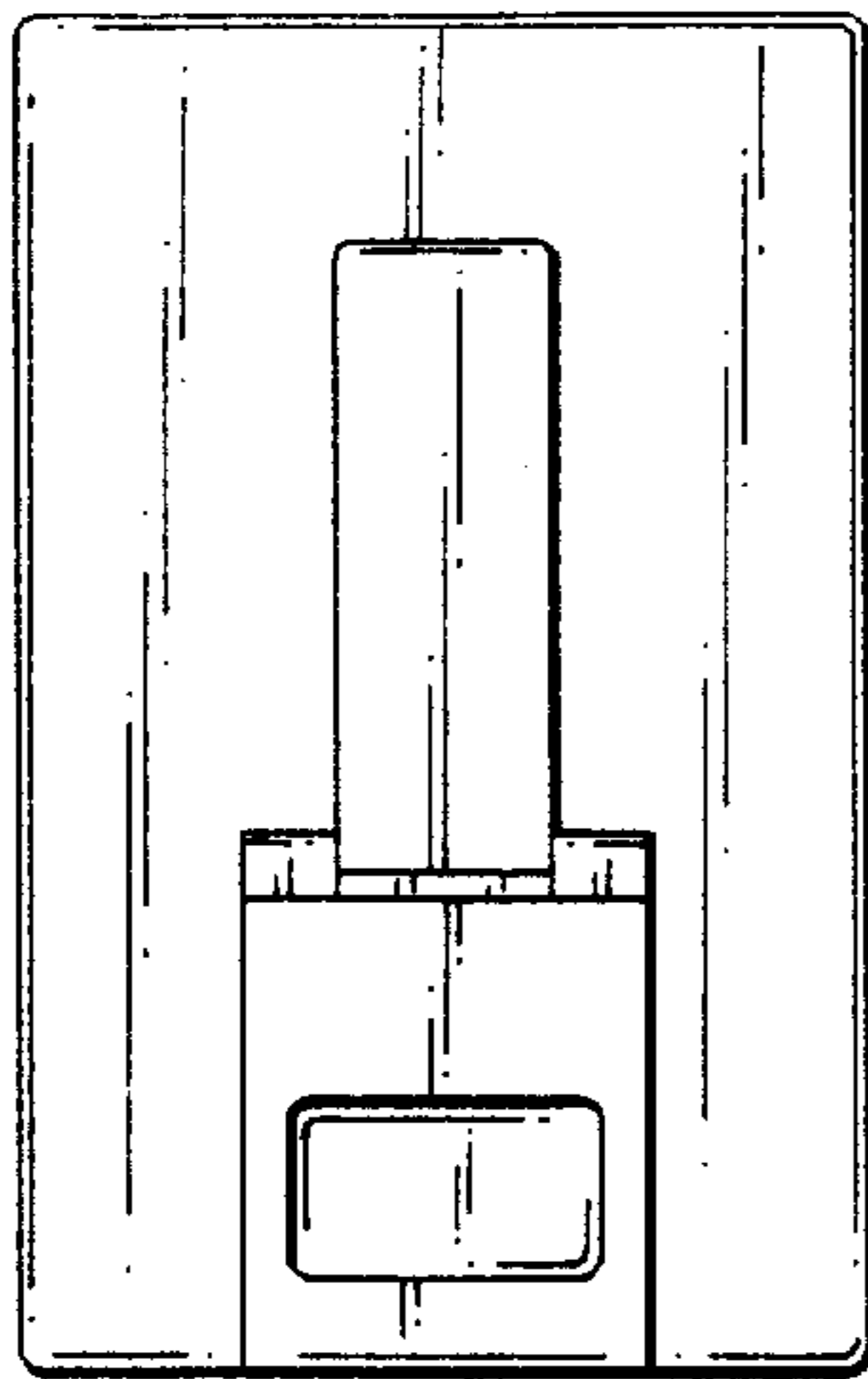


FIG. 6

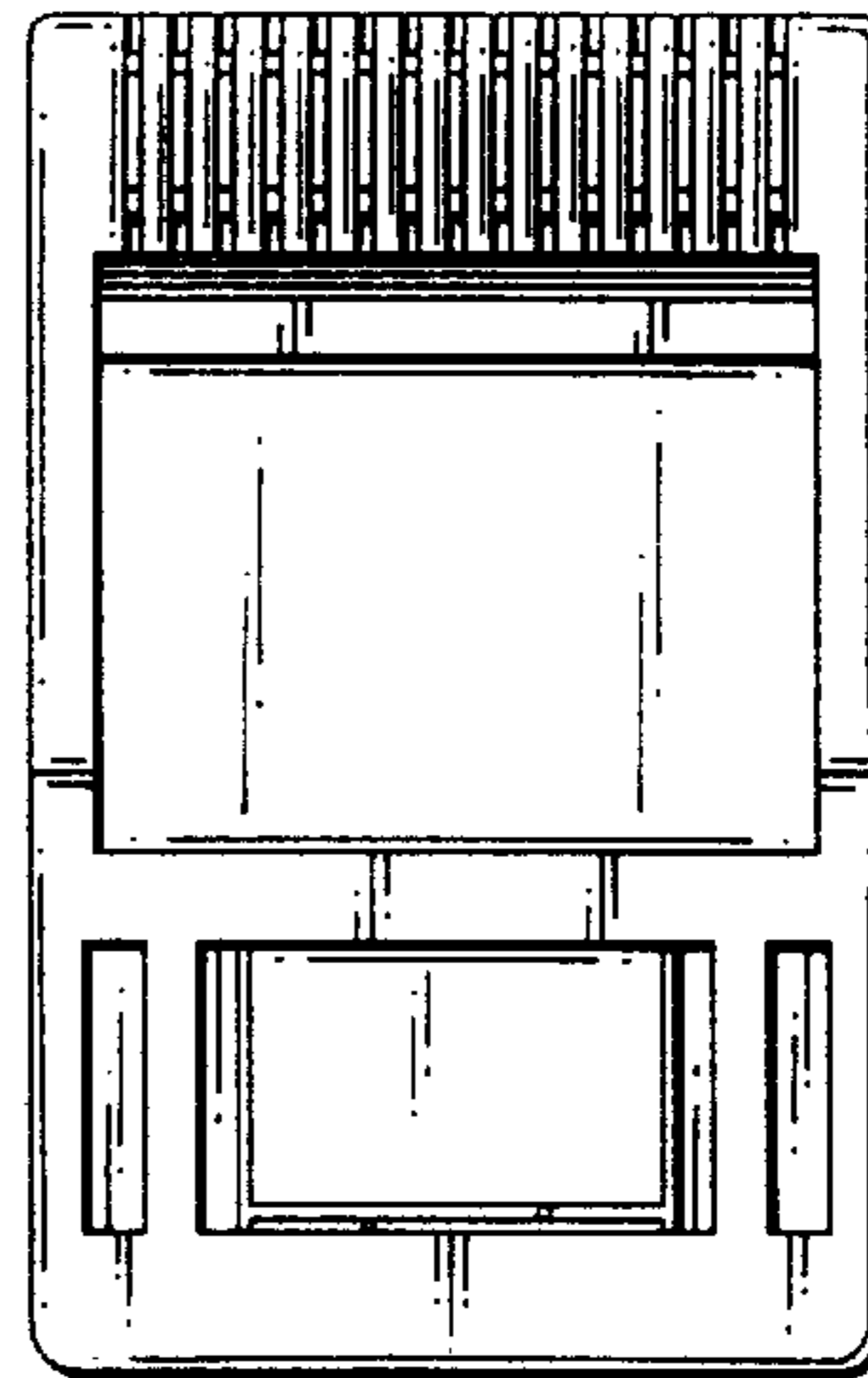


FIG. 7

